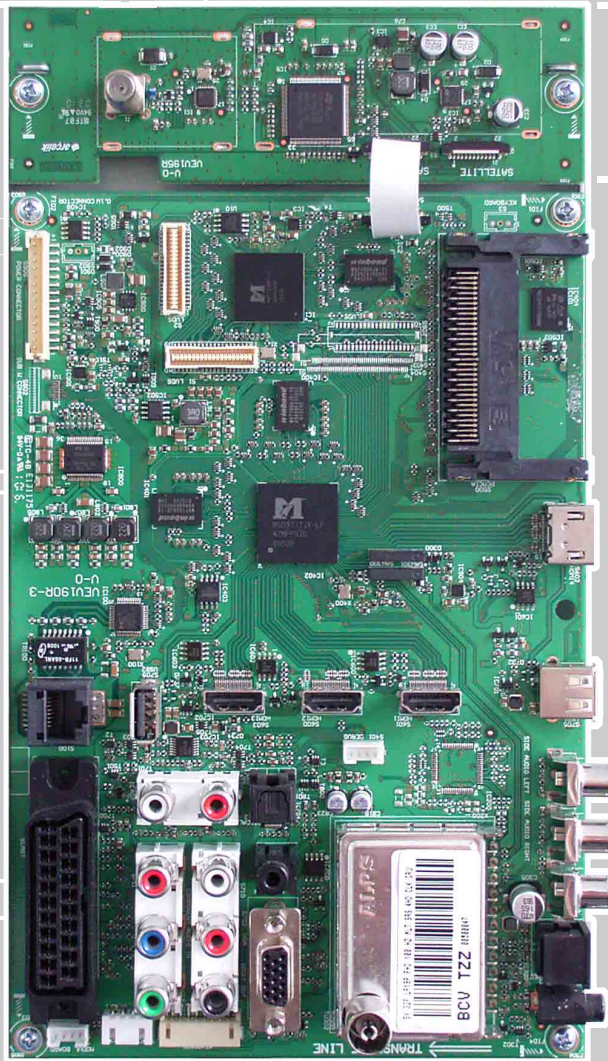


**NUR FÜR INTERNEN GEBRAUCH
FOR INTERNAL USE ONLY**



Chassis SX

26 VLC 3001 C GBI1226
26 VLC 9140 S GBJ6126

32 VLC 3001 C GBI1332
32 VLC 6120 C GBJ4332
32 VLC 9140 S GBJ6132
32 VLE 811 S DL GBJ8632
32 VLE 7140 C GBJ5132
32 VLE 7150 C GBJ5432
32 VLE 7160 C GBJ5332
32 VLE 8140 S DL GBJ8032
32 VLE 8141 S DL GBJ8132
32 VLE 8142 S DL GBJ8332
32 VLE 8180 S GBJ8232

37 VLC 9140 S GBJ6137

40 VLE 811 S DL GBJ8640
40 VLE 6141 C GBJ4140
40 VLE 7140 C GBJ5140
40 VLE 7150 C GBJ5440
40 VLE 7160 C GBJ5340
40 VLE 8140 S DL GBJ8040
40 VLE 8141 S DL GBJ8140
40 VLE 8142 S DL GBJ8340
40 VLE 8180 S GBJ8240

42 VLC 4120 C GBJ6042
42 VLC 9040 S GBI6242
42 VLC 9041 C GBJ6142
42 VLC 9140 S GBJ6242

Fine Arts

32 C DL GBJ7032
32 S DL GBJ7132, GBJ7232
40 S DL GBJ7440, GBJ7540
46 3D DL GBJ7746
46 S DL GBJ7446, GBJ7546
55 3D DL GBJ7555

Hamburg

26 VLC 8100 S GBJ8126
32 VLC 8140 S GBJ8432
37 VLC 8140 S GBJ8137

New York 32 S DL GBJ9132

Rom

32 VLE 8162 S DL GBJ9232
40 VLE 8162 S DL GBJ9440
40 VLE 8163 S DL GBJ9340

Zusätzlich erforderliche Unterlagen für den Komplettservice
Additionally required Service Documents for the Complete Service

Service Manual	Service Manual
Sicherheit Safety	Chassis SX
Materialnr./Part No. 72010800001	Materialnr./Part No. 720100555000

Es gelten die Vorschriften und Sicherheitshinweise gemäß dem Service Manual "Sicherheit", Materialnummer 720108000001, sowie zusätzlich die eventuell abweichenden, landesspezifischen Vorschriften!



The regulations and safety instructions shall be valid as provided by the "Safety" Service Manual, part number 720108000001, as well as the respective national deviations.

Inhaltsverzeichnis

	Seite
Allgemeiner Teil	2...26
Allgemeine Hinweise	2
Technische Daten	3
Service- und Sonderfunktionen	23
Platinenabbildungen und Schaltpläne	27...55
Chassisplatte VEV190R-4	27
– Blockschaltplan	35
– Netzteil	36
– HDMI	37
– SCART, VGA	38
– LAN	39
– AV, USB	40
– PCMCIA- & SAT-Interface	41
– Tuner	41
– Scaler	42
– Scaler-RAM	45
– FRC	46
– Verstärker	48
SAT-Baustein VEV195R-3	49
Netzteil FSP139-3F01	52
IR-/LED-Platten	54
Emitter -Platten	55
Uhr VEV198R-2	55
Ersatzteillisten	56...79

Table of Contents

	Page
General Section	2...26
General Notes	2
Technical Data	3
Service and Special Functions	23
Layout of the PCBs and Circuit Diagrams	27...55
Chassis Board VEV190R-4	27
– Block Circuit Diagram	35
– Power Supply	36
– HDMI	37
– SCART, VGA	38
– LAN	39
– AV, USB	40
– PCMCIA & SAT Interface	41
– Tuner	41
– Scaler	42
– Scaler-RAM	45
– FRC	46
– Amplifier	48
SAT Board VEV195R-3	49
Power Supply FSP139-3F01	52
IR / LED Boards	54
Emitter Boards	55
Clock VEV198R-2	55
Spare Parts Lists	56...79

Allgemeiner Teil

Einführung

In dieser Service-Manual-Ergänzung sind weitere Gerätevarianten dokumentiert, die mit dem Chassis SX ausgestattet sind. Des Weiteren sind die Platinenabbildungen und Schaltpläne der geänderten Hauptplatte abgebildet.

Hinweis:

Grundlage für den Service sind folgende Service Manuals:
 – Service Manual Sicherheit, Materialnummer 720108000001
 – Service Manual Chassis SX, Materialnr. 720100555000

General Section

Introduction

This Supplement of Service Manual describes variants of alternative devices embedded with chassis SX. The modified layouts and circuit diagrams of main board are included.

Note:

Basic instructions for servicing are given in following Service Manuals:
 – Service Manual Safety, Part Number 720108000001
 – Service Manual Chassis SX, Part Number 720100555000

Technische Daten / Technical Data 26"

	26 VLC 3001 C	26 VLC 9140 S	Hamburg 26 VLC 8100 S
Order No.	GB11226	GBJ6126	GBJ8126
Destination	Nordic	D, A	D, A - Nordic
Approbations	CE	CE	CE
IM-Languages	SE, NO, CRO, FI, DK, D, EL	D, GB	D, GB
IM-Languages 2	○	○	Nor: SE, NO, FI, DK
Remote control	TP 3 black (RC5)	TP 3 black (RC5)	TP3 & Comfort Remote (Black)
EAN	40 13833-62508 7	40 13833-62617 6	40 13833-62616 9
Color	glossy black	glossy black	Glossy Black
DISPLAY			
Panel	26" / 66cm	26" / 66cm	26" / 66cm
Backlight	CCFL	CCFL	CCFL
Wide-screen format	●	●	●
Response time	6,5ms	6,5ms	6,5ms
Brightness	450 cd/m2	450 cd/m2	450 cd/m2
Contrast ratio (Panel)	2.500:1	2.500:1	800:1
Dynamic contrast	20.000:1	20.000:1	20.000:1
Frame Refresh (frames per second)	50Hz	50Hz	50Hz
Viewing angle vertical/horizontal, ca. °	178° / 178°	178° / 178°	178° / 178°
Physical display resolution max. pixel	WXGA 1366 x 768 (HD Ready)	WXGA 1366 x 768 (HD Ready)	WXGA 1366 x 768 (HD Ready)
PICTURE			
Full HD	○	○	○
24p	○	○	○
HD-TV 1080p	○	○	○
Line Flicker Reduction	●	●	●
Digital Color Transition Improv. (DCTI)	●	●	●
Digital Combfilter	3D	3D	3D
Digital Luminance Transition Improv. (DLTI)	●	●	●
Picture Noise Reduction	●	●	●
Preset picture modes	user, vivid, natural, movie, sports	user, vivid, natural, movie, sports	user, vivid, natural, movie, sports
Aspect ratios (Format switching)	Auto (WSS), 4:3 / 16:9 / 14:9 / LetterBox / Subtitle / Panorama	Auto (WSS), 4:3 / 16:9 / 14:9 / LetterBox / Subtitle / Panorama	Auto (WSS), 4:3 / 16:9 / 14:9 / LetterBox / Subtitle / Panorama
Blackline detection	○	○	○
PIP	○	○	○
Multifold Tuner scan (Mosaic Picture)	○	○	○
PAT: Split screen (PICTURE + TEXT)	○	○	○
PAP: Double Window (PICTURE+PICTURE)	○	○	○
P²AT: Double Window + TXT	○	○	○
POP: PICTURE on PICTURE	○	○	○
Picture freezing	●	●	●
Zoom with point function	●	●	●
Auto 16:9 selection via Scart	●	●	●
Sharpness control	●	●	●
Blue Background	●	●	●
CHASSIS			
TV-Chassis	SX	SX	SX
Progressive	○	○	○
Tuner	PLL frequency synthesizer tuning	PLL frequency synthesizer tuning	PLL frequency synthesizer tuning
Scaler	Sapphire 1+	Sapphire 3+	Sapphire 3+
Keyboard	7 keys: menu, ± for programme, ± for volume, source, stand-by		
ELECTRONIC			
DLNA	○	○	○
Stand by indicator	blue LED	blue LED	blue LED
EPG (Electronic Programme Guide)	7 days via DVB-T and DVB-C	7 days via DVB-T and DVB-C	7 days via DVB-T and DVB-C
Easy Dialog	○	○	○
Megalogic	○	○	○
Manual & autom. labeling of prog.	●	●	●
Programmable off timer	●	●	●
Programmable on timer	●	●	●
Intelligent channel search (Zapping funct.)	●	●	●
Programme Edit	●	●	●
Intelligent Programme Switch	○	○	○
Programme memory TV/AV (opt.)	100 Analog / 1000 T / 1000 C / AV	100 Analog / 1000 T / 1000 C / 6000 S2 / AV	100 Analog / 400 Digital / AV
Teletext/Fasttext/Toptext	● / ● / ○	● / ● / ○	● / ● / ●
Teletext options	1000 pages	1000 pages	1000 pages
Childlock	●	●	●
Menu languages OSD	24 languages, D, GB, F, I, E, P, NL, DK, S, FIN, N, TR, GR, PL, CZ, SK, SLO, H, RUS, RO, BG, HR, LT, EE		
OSD-style	OEM-style with Grundig look	OEM-style with Grundig look	OEM-style with Grundig look
Service mode	●	●	●
Game mode	presets (user changeable) for sound and picture in HDMI-, Component- and PC-mode		
Hotel mode	Simple hotel mode possible via service adjustment	Simple hotel mode possible via service adjustment	Simple hotel mode possible via service adjustment
Digi Link (HDMI CEC 1.3)	○	○	○
Special feature	○	○	Click on the front cabinet
TUNING			
Autom. Tuning System with country select.	full automatic sorting	full automatic sorting	full automatic sorting
Frequency Based Auto Search	●	●	●
Automatic Micro-search	●	●	●
Automatic Programming	○	○	○
Manual fine tuning	●	●	●
Direct channel selection	●	●	●
Direct frequency selection	○	○	For cable tuning can be done by entering the frequ. (MHz) in digital search menu
PAL/SECAM/BG/DK/L/L	●	●	●
NTSC-Playback via Scart (3,58/4,43)	●	●	●
Cable TV / Hyperband (S1-S41)	●	●	●
AUDIO			
Mono/Stereo/Nicam	● / ● / ●	● / ● / ●	● / ● / ●
AV Stereo	●	●	●
Loudspeaker	2 wide band at the front side	2 wide band at the front side	2 wide band at the front side
SRS	○	○	○
Dolby digital	○	○	○
Virtual Dolby	○	○	○
Magic Fidelity Sound System	○	○	○
Soundprojector	○	○	○
Matched Sound Delay (Lip synchronous)	○	○	○
Subwoofer	○	○	○
Dynamic Bass	○	○	○
DSP (Digital Sound Processor)	○	○	○
Balance Adjustment	●	●	●
AVL (Audio Volume Level)	○	○	○
PIP listening via Headphone.jack	○	○	○
Equalizer	5 Band	5 Band	5 Band
Space Sound Effect	●	●	●
Audio mode	cinema, music, sport, speech, user	cinema, music, sport, speech, user	cinema, music, sport, speech, user
Audio amplifier	2 x 7/14W nominal/music power (R/L)	2 x 7/14W nominal/music power (R/L)	2 x 7/14W nominal/music power (R/L)
USB part			
Screen saver	○	○	○
Recording	●	●	●
Dix + HD	○	○	○
File browser	○	○	○
Video file resolution (max.)	○	1920 x 1080	1920 x 1080
Supported files	.mp3, .m4a, .aac, .jpg, .bmp, .png, .3gp, .mov, .mpg, .mpe, .vob, .dat, .trp, .ts, .avi, .mp4, .mkv, H264, .txt		
Supported subtitles	SRT, SSA, ASS, SMI, Video SUB		

	26 VLC 3001 C	26 VLC 9140 S	Hamburg 26 VLC 8100 S
DVB reception	EN 300 744 & revised NorDig II spec (regarding DVB-T front end performance)		
Fully compliant to	● / ● - ATS type sorting & LCN type sorting		
Automatic/manual channel search	● / ● - ATS type sorting & LCN type sorting	● / ● - ATS type sorting & LCN type sorting	● / ● - ATS type sorting & LCN type sorting
EPG (SI based)	●	●	●
- 8 Day Electronic Programme Guide	●	●	●
- now/next	●	●	●
- scheduled	If broadcasted	If broadcasted	If broadcasted
- Extended Event Info	If broadcasted	If broadcasted	If broadcasted
- Short Event Info	If broadcasted	If broadcasted	If broadcasted
TV/Radio programmes	400	400	400
OSD languages	20 Languages: D, GB, F,I,E,NL,TR,DK,FIN,N,S,SI,PL,H,RUS,RO,HR,CZ,SK,BG,SER		
Parental control	○	○	○
Teletext VBI insertion	or decoding	or decoding	or decoding
VPS - VBI insertion	PDC based	PDC based	PDC based
Programme table	full automatic sorting	full automatic sorting	full automatic sorting
Factory station list	●	●	●
Embedded Conditional Access	○	○	○
Common Interface	●	●	●
CI +	○	○	○
Smart Card Reader	○	○	○
DVB-T Front end			
Tuner inputs (Hyperband)	1	1	1
Input frequency (MHz) / Loop through	177 - 862 VHF & UHF / ○	177 - 862 VHF & UHF / ○	177 - 862 VHF & UHF / ○
Input level / Impedance	-80 to 20dBm / 75 Ohm	-80 to 20dBm / 75 Ohm	-80 to 20dBm / 75 Ohm
Modulation	COFDM 2/8 QPSK 16/64 QAM	COFDM 2/8 QPSK 16/64 QAM	COFDM 2/8 QPSK 16/64 QAM
FEC	1/2, 2/3, 3/4, 5/6, 7/8	1/2, 2/3, 3/4, 5/6, 7/8	1/2, 2/3, 3/4, 5/6, 7/8
Hierarchical modulation	Hierarchical - non hierarchical	Hierarchical - non hierarchical	Hierarchical - non hierarchical
DVB-S2 Front end			
Input frequency range	○	950 MHz to 2150 MHz	950 MHz to 2150 MHz
Signal level	○	-25 to -80 dBm (Only for DVB-S)	-25 to -70 dBm (Only for DVB-S2)
Demodulation	○	QPSK, 8PSK	QPSK, 8PSK
Input symbol rate	○	1 - 45 Msps for DVB-S, 5 - 30 Msps for DVB-S2	1 - 45 Msps for DVB-S, 5 - 30 Msps for DVB-S2
DiseqC 1.2 support	○	●	●
LNB power & Polarization	○	13/18V Selection Horizontal / Vertical - 22KHz generation - Overload Protection	
FEC MODE	○	Auto - QPSK-S: 1/2, 2/3, 3/4, 3/5, 5/6, 8/9, 9/10 - QPSK-S2: 1/2, 2/3, 3/4, 3/5, 4/5, 5/6, 8/9, 9/10 8PSK: 2/3, 3/4, 3/5, 5/6, 8/9, 9/10	
DVB-C Front end			
Input frequency (MHz)	47 - 862 VHF & UHF	47 - 862 VHF & UHF	47 - 862 VHF & UHF
Input level / Impedance	47 - 70 dbuV / 75 Ohm	47 - 70 dbuV / 75 Ohm	47 - 70 dbuV / 75 Ohm
Demodulation / Symbol rate Ms/s	QAM 16/32/64/128/256 demodulation support (EN 300 429) 4,0...7,2 Msymbols/s		
Video Decoder			
MPEG profiles	MP@ML, MP@HL, MPEG4 AVC H.264 HP@L4.0	MP@ML, MP@HL, MPEG4 AVC H.264 HP@L4.0	MP@ML, MP@HL, MPEG4 AVC H.264 HP@L4.0
Resolution	576i, 576p, 720p, 1080i	576i, 576p, 720p, 1080i	576i, 576p, 720p, 1080i
OSD colors	Fitting to TV-OSD	Fitting to TV-OSD	Fitting to TV-OSD
Picture formats	4:3, 16:9, pan scan, letter box	4:3, 16:9, pan scan, letter box	4:3, 16:9, pan scan, letter box
Audio Decoder			
Profiles	MPEG4, MPEG 1 layer I & II	MPEG4, MPEG 1 layer I & II	MPEG4, MPEG 1 layer I & II
AC 3 Decoding	○	○	○
AC 3 Output	SP/DIF	SP/DIF	SP/DIF
Modes	Mono, Dual Mono, Stereo, Joint Stereo	Mono, Dual Mono, Stereo, Joint Stereo	Mono, Dual Mono, Stereo, Joint Stereo
Software			
Service information processing	Dynamic PMT	Dynamic PMT	Dynamic PMT
DVB subtitles	●	●	●
Over air download (OTA)	DVB enhanced profile	DVB enhanced profile	DVB enhanced profile
Navigator	via menu	via menu	via menu
API	○	○	○
Last station memory	from stand-by, as TV	from stand-by, as TV	from stand-by, as TV
Favourite mode	4x free	4x free	4x free
Timer / Sleep timer	○	○	○
Clock	○	○	○
Volume	○	○	○
Mute function	●	●	●
Swap function	●	●	●
POWER SUPPLY / CABINET			
Power voltage	230V, 50Hz; in accordance to IEC 65	230V, 50Hz; in accordance to IEC 65	230V, 50Hz; in accordance to IEC 65
Range of regulation	140V - 265V	140V - 265V	140V - 265V
Power switch	Tact switch	●	●
Integrated supply	●	●	●
Plug-in AC adaptor	○	○	○
Power consumption	100W, standby < 1W in accordance to IEC 62087-2002	60W, standby 0.48W in accordance to IEC 62087-2002	60W, standby 0.48W in accordance to IEC 62087-2002
Cabinet (WxHxD, cm)	65,9x43,7x7,9cm	65,9 x 43,7 x 7,9cm	65,9 x 43,7 x 7,9cm
Cabinet with stand (WxHxD, cm)	65,9x48,4x20,6cm	65,9 x 48,4 x 20,6cm	65,9 x 48,4 x 20,6cm
Weight	ca. 8,4kg	ca. 8,4kg	ca. 8,4kg
FRONT PANEL CONNECTIONS			
HDMI	○	○	○
Headphones	○	○	○
Cinch-AV socket	○	○	○
S-Video	○	○	○
REAR PANEL CONNECTIONS			
Euro-AV Socket AV1	Full wired	Full wired	Full wired
Euro-AV Socket AV2	○	○	○
Euro-AV Socket AV3	○	○	○
S-Video	Hosiden	Hosiden	Hosiden
Camera-AV	3x Cinch socket in	3x Cinch socket in	3x Cinch socket in
Wireless	○	○	○
YUV input / progressive	Video-in: 3 x Cinch, Audio-in: 2 x Cinch	Video-in: 3 x Cinch, Audio-in: 2 x Cinch	Video-in: 3 x Cinch, Audio-in: 2 x Cinch
PC-input	WXGA	WXGA	WXGA
PC-Audio in	●	●	●
DVI	○	○	○
HDMI	3x	4x	4x
HD ready including HDCP	via HDMI	via HDMI	via HDMI
Common Interface	1 slot	1 slot	1 slot
Headphones	3.5mm jack	3.5mm jack	3.5mm jack
Digital Audio out coaxial (SPDIF)	●	●	●
Digital Audio out optical (SPDIF)	○	○	○
Video out	○	○	○
Audio out	●	●	●
USB	2 x USB 2.0	2 x USB 2.0	2 x USB 2.0
Antenna for terrestrial reception	1 x Coaxial-socket for TV-tuner-in, according to DIN 45325	1 x Coaxial-socket for TV-tuner-in, according to DIN 45325	1 x Coaxial-socket for TV-tuner-in, according to DIN 45325
DC-connector	○	○	○
Power supply plug	●	●	●
SUPPLIED ACCESSORIES			
Wi-Fi Dongle	○	○	○
Remote control (incl. battery)	TP3 (RC5) incl. 3x Battery AAA size	TP3 (RC5) incl. 3x Battery AAA size	TP 3 black (RC5) & Comfort Remote (YF-1)
Power cord	non grounded	non grounded	non grounded
Cables	○	○	○
Instruction manual	●	●	●
Circuit diagram	○	○	○
Wall fixture	Prepared for VESA standard adaptor 100 x 100	Prepared for VESA standard adaptor 100 x 100 + 100	Prepared for VESA standard adaptor 75 x 75
Stand	●	●	●
Cleaning tissue	○	○	○

Technische Daten / Technical Data 32"

	32 VLC 3001 C	32 VLC 6120 C	32 VLC 9140 S	32 VLE 7140 C
Order No.	GBI1332	GBJ4332	GBJ6132	GBJ5132
Destination	Nordic		D, A	D, A, Nordic
Approbations	CE	CE	CE	CE
IM-Languages	SE, NO, CRO, FI, DK, D, EL	D,DK,N,S,FIN,E,HR	D,GB	D,GB
IM-Languages 2	○	○	○	SE, NO, FI, DK, DE, HR, EL
Remote control	TP 3 black (RC5)	TP 3 black (RC5)	TP 3 black (RC5)	TP 3 black (RC5)
EAN	40 13833-62509 4	40 13833-62577 3	40 13833-62607 7	40 13833-62490 5
Color	glossy black	glossy black	Glossy black/Silver	Glossy Black
DISPLAY				
Panel	32" / 80cm	32" / 80cm	32" / 80cm	32" / 80cm
Backlight	CCFL	CCFL	CCFL	EDGE LED
Wide-screen format	●	●	●	●
Response time	8ms	8ms	8ms	6,5ms
Brightness	450 cd/m2	470 cd/m2	470 cd/m2	450 cd/m2
Contrast ratio (Panel)	1.500:1	3.000:1	3.000:1	4.000:1
Dynamic contrast	20.000:1	30.000:1	50.000:1	Dynamic Contrast Plus
Frame Refresh (frames per second)	50Hz	50Hz	100Hz	100Hz
Viewing angle vertical/horizontal, ca. °	178° / 178°	178° / 178°	178° / 178°	178° / 178°
Physical display resolution max. pixel	WXGA 1366 x 768 (HD Ready)	WUXGA 1920 x 1080 (full HD)	WUXGA 1920 x 1080 (full HD)	WUXGA 1920 x 1080 (full HD 100Hz)
PICTURE				
Full HD	○	●	●	●
24p	○	○	○	○
HD-TV 1080p	○	●	●	●
Line Flicker Reduction	●	●	●	●
Digital Color Transition Improv. (DCTI)	●	●	●	●
Digital Combfilter	3D	3D	3D	3D
Digital Luminance Transition Improv. (DLTI)	●	●	●	●
Picture Noise Reduction	●	●	●	●
Preset picture modes	user, vivid, natural, movie, sports	user, vivid, natural, movie, sports	user, vivid, natural, movie, sports	user, vivid, natural, movie, sports
Aspect ratios (Format switching)		Auto (WSS), 4:3 / 16:9 / 14:9 / LetterBox / Subtitle / Panorama		
Blackline detection	○	○	○	○
PIP	○	○	○	○
Multifold Tuner scan (Mosaic Picture)	○	○	○	○
PAT: Split screen (PICTURE + TEXT)	●	●	●	●
PAP: Double Window (PICTURE+PICTURE)	○	○	○	○
P²AT: Double Window + TXT	○	○	○	○
POP: PICTURE on PICTURE	○	○	○	○
Picture freezing	●	●	●	●
Zoom with point function	●	●	●	●
Auto 16:9 selection via Scart	●	●	●	●
Sharpness control	●	●	●	●
Blue Background	●	●	●	●
CHASSIS				
TV-Chassis	SX	SX	SX	SX
Progressive	○	○	○	○
Tuner	PLL frequency synthesizer tuning	PLL frequency synthesizer tuning	PLL frequency synthesizer tuning	PLL frequency synthesizer tuning
Scaler	Sapphire 3+	Sapphire 3+	Sapphire 3+	Sapphire 3+
Keyboard		7 keys: menu, ± for programme, ± for volume, source, stand-by		
ELECTRONIC				
DLNA	○	○	○	●
Stand by indicator	blue LED	blue LED	blue LED	blue LED
EPG (Electronic Programme Guide)	7 days via DVB-T and DVB-C	7 days via DVB-T and DVB-C	7 days via DVB-T and DVB-C	7 days via DVB-T and DVB-C
Easy Dialog	○	○	○	○
Megalogic	○	○	○	○
Manual & autom. labeling of prog.	●	●	●	●
Programmable off timer	●	●	●	●
Programmable on timer	●	●	●	●
Intelligent channel search (Zapping funct.)	●	●	●	●
Programme Edit	●	●	●	●
Intelligent Programme Switch	○	○	○	○
Programme memory TV/AV (opt.)	100 Analog / 400 Digital / AV	100 Analog / 400 Digital / AV	100 Analog / 400 Digital / AV	100 Analog / 400 Digital / AV
Teletext/Fasttext/Toptext	● / ● / ○	● / ● / ●	● / ● / ●	● / ● / ●
Teletext options	1000 pages	1000 pages	1000 pages	1000 pages
Childlock	●	●	●	●
Menu languages OSD		24 languages: D, GB, F, I, E, P, NL, DK, S, FIN, N, TR, GR, PL, CZ, SK, SLO, H, RUS, RO, BG, HR, LT, EE		
OSD-style	OEM-style with Grundig look	OEM-style with Grundig look	OEM-style with Grundig look	OEM-style with Grundig look
Service mode	●	●	●	●
Game mode		presets (user changeable) for sound and picture in HDMI-, Component- and PC-mode		
Hotel mode		Simple hotel mode possible via service adjustment		
Digi Link (HDMI CEC 1.3)	○	●	○	●
Special feature	○	○	○	○
TUNING				
Autom. Tuning System with country select.	full automatic sorting	full automatic sorting	full automatic sorting	full automatic sorting
Frequency Based Auto Search	●	●	●	●
Automatic Micro-search	●	●	●	●
Automatic Programming	○	○	○	○
Manual fine tuning	●	●	●	●
Direct channel selection	●	●	●	●
Direct frequency selection	○			
PAL/SECAM/BG/DK/L/L/L	●	●	●	●
NTSC-Playback via Scart (3,58/4,43)	●	●	●	●
Cable TV / Hyperband (S1-S41)	●	●	●	●
AUDIO				
Mono/Stereo/Nicam	● / ● / ●	● / ● / ●	● / ● / ●	● / ● / ●
AV Stereo	●	●	●	●
Loudspeaker	2 wide band at the front side	2 wide band at the front side	2 wide band at the front side	2 wide band at the front side
SRS	○	●	●	●
Dolby digital	○	●	●	●
Virtual Dolby	○	○	○	○
Magic Fidelity Sound System	○	○	○	○
Soundprojector	○	○	○	○
Matched Sound Delay (Lip synchronous)	○	○	○	○
Subwoofer	○	○	○	○
Dynamic Bass	●	●	●	●
DSP (Digital Sound Processor)	○	○	○	○
Balance Adjustment	●	●	●	●
AVL (Audio Volume Level)	○	●	●	●
PIP listening via Headphone.jack	○	○	○	○
Equalizer	5 Band	5 Band	5 Band	5 Band
Space Sound Effect	●	●	●	●
Audio mode	cinema, music, sport, speech, user	cinema, music, sport, speech, user	cinema, music, sport, speech, user	cinema, music, sport, speech, user
Audio amplifier	2 x 10/20W nominal/music power (R/L)	2 x 10/20W nominal/music power (R/L)	2 x 10/20W nominal/music power (R/L)	2 x 10/20W nominal/music power (R/L)
USB part				
Screen saver	○	○	○	○
Recording	○	○	○	○
Dix + HD	○	○	○	○
File browser	○	○	○	○
Video file resolution (max.)	○	1920 x 1080	1920 x 1080	1920 x 1080
Supported files		.mp3, .m4a, .aac, .jpg, .bmp, .png, .3gp, .mov, .mpg, .mpe, .vob, .dat, .trp, .is, .avi, .mp4, .mkv, H264, .txt		
Supported subtitles	SRT, SSA, ASS, SMI, Video SUB	SRT, SSA, ASS, SMI, Video SUB	SRT, SSA, ASS, SMI, Video SUB	SRT, SSA, ASS, SMI, Video SUB

	32 VLC 3001 C	32 VLC 6120 C	32 VLC 9140 S	32 VLE 7140 C
DVB reception				
Fully compliant to	EN 300 744 & revised NorDig II spec (regarding DVB-T front end performance)			
Automatic/manual channel search	● / ● - ATS type sorting & LCN type sorting	● / ● - ATS type sorting & LCN type sorting	● / ● - ATS type sorting & LCN type sorting	● / ● - ATS type sorting & LCN type sorting
EPG (SI based)	●	●	●	●
- 8 Day Electronic Programme Guide	●	●	●	●
- now/next	●	●	●	●
- scheduled	If broadcasted	If broadcasted	If broadcasted	If broadcasted
- Extended Event Info	If broadcasted	If broadcasted	If broadcasted	If broadcasted
- Short Event Info	If broadcasted	If broadcasted	If broadcasted	If broadcasted
TV/Radio programmes	400	400	400	400
OSD languages	20 Languages: D, GB, F, I, E, NL, TR, DK, FIN, N, S, SI, PL, H, RUS, RO, HR, CZ, SK, BG, SER			
Parental control	○	○	○	○
Teletext VBI insertion	or decoding	or decoding	or decoding	or decoding
VPS - VBI insertion	PDC based	PDC based	PDC based	PDC based
Programme table	full automatic sorting	full automatic sorting	full automatic sorting	full automatic sorting
Factory station list	●	●	●	●
Embedded Conditional Access	○	○	○	○
Common Interface	●	●	●	●
Ci +	○	○	○	○
Smart Card Reader	○	○	○	○
DVB-T Front end				
Tuner inputs (Hyperband)	1	1	1	1
Input frequency (MHz) / Loop through	177 - 862 VHF & UHF / ○	177 - 862 VHF & UHF / ○	177 - 862 VHF & UHF / ○	177 - 862 VHF & UHF / ○
Input level / Impedance	-80 to 20/dBm / 75 Ohm	-80 to 20/dBm / 75 Ohm	-80 to 20/dBm / 75 Ohm	-80 to 20/dBm / 75 Ohm
Modulation	COFDM 2/8 QPSK 16/64 QAM	COFDM 2/8 QPSK 16/64 QAM	COFDM 2/8 QPSK 16/64 QAM	COFDM 2/8 QPSK 16/64 QAM
FEC	1/2, 2/3, 3/4, 5/6, 7/8	1/2, 2/3, 3/4, 5/6, 7/8	1/2, 2/3, 3/4, 5/6, 7/8	1/2, 2/3, 3/4, 5/6, 7/8
Hierarchical modulation	Hierarchical - non hierarchical	Hierarchical - non hierarchical	Hierarchical - non hierarchical	Hierarchical - non hierarchical
DVB-S2 Front end				
Input frequency range	○	○	950 MHz to 2150 MHz	○
Signal level	○	○	-25 to -80 dBm (Only for DVB-S) -25 to -70 dBm (Only for DVB-S2)	○
Demodulation	○	○	QPSK, 8PSK	○
Input symbol rate	○	○	1 - 45 Msps for DVB-S, 5 - 30 Msps for DVB-S2	○
DiseqC 1.2 support	○	○	●	○
LNB power & Polarization	○	○	13/18V Selection Horizontal / Vertical - 22KHz generation - Overload Protection	○
FEC MODE	○	○	Auto - QPSK: S: 1/2, 2/3, 3/4, 3/5, 4/5, 5/6, 8/9, 9/10 - 8PSK: 2/3, 3/4, 3/5, 5/6, 8/9, 9/10	○
DVB-C Front end				
Input frequency (MHz)	47 - 862 VHF & UHF	47 - 862 VHF & UHF	47 - 862 VHF & UHF	47 - 862 VHF & UHF
Input level / Impedance	47 - 70 dBuV / 75 Ohm	47 - 70 dBuV / 75 Ohm	47 - 70 dBuV / 75 Ohm	47 - 70 dBuV / 75 Ohm
Demodulation / Symbol rate Ms/s	QAM 16/32/64/128/256 demodulation support (EN 300 429) 4,0...7,2 Msymbols/s			
Video Decoder				
MPEG profiles	MP@ML, MP@HL, MPEG4 AVC H.264 HP@L4.0			
Resolution	576i, 576p, 720p, 1080i	576i, 576p, 720p, 1080i, 1080p	576i, 576p, 720p, 1080i, 1080p	576i, 576p, 720p, 1080i, 1080p
OSD colors	Fitting to TV-OSD	Fitting to TV-OSD	Fitting to TV-OSD	Fitting to TV-OSD
Picture formats	4:3, 16:9, pan scan, letter box	4:3, 16:9, pan scan, letter box	4:3, 16:9, pan scan, letter box	4:3, 16:9, pan scan, letter box
Audio Decoder				
Profiles	MPEG4, MPEG 1 layer I & II	MPEG4, MPEG 1 layer I & II	MPEG4, MPEG 1 layer I & II	MPEG4, MPEG 1 layer I & II
AC 3 Decoding	○	○	○	○
AC 3 Output	SP/DIF	SP/DIF	SP/DIF	SP/DIF
Modes	Mono, Dual Mono, Stereo, Joint Stereo	Mono, Dual Mono, Stereo, Joint Stereo	Mono, Dual Mono, Stereo, Joint Stereo	Mono, Dual Mono, Stereo, Joint Stereo
Software				
Service information processing	Dynamic PMT	Dynamic PMT	Dynamic PMT	Dynamic PMT
DVB subtitles	●	●	●	●
Over air download (OTA)	DVB enhanced profile	DVB enhanced profile	DVB enhanced profile	DVB enhanced profile
Navigator	via menu	via menu	via menu	via menu
API	○	○	○	○
Last station memory	from stand-by, as TV	from stand-by, as TV	from stand-by, as TV	from stand-by, as TV
Favourite mode	4x free	4x free	4x free	4x free
Timer / Sleep timer	○	○	○	○
Clock	○	○	○	○
Volume	○	○	○	○
Mute function	●	●	●	●
Swap function	●	●	●	●
POWER SUPPLY / CABINET				
Power voltage	230V, 50Hz; in accordance to IEC 65	230V, 50Hz; in accordance to IEC 65	230V, 50Hz; in accordance to IEC 65	230V, 50Hz; in accordance to IEC 65
Range of regulation	140V - 265V	140V - 265V	140V - 265V	140V - 265V
Power switch	Tact switch	●	●	Tact switch
Integrated supply	●	●	●	●
Plug-in AC adaptor	○	○	○	○
Power consumption	140W, standby 0,95 in accordance to IEC 62087-2002	130W, standby 0,48W in accordance to IEC 62087-2002	130W, standby 0,48W in accordance to IEC 62087-2002	85W, standby 0,38W in accordance to IEC 62087-2002
Cabinet (WxHxD, cm)	78,9x51,8x8,1cm	78,9x51,8x8,1cm	78,9 x 51,8 x 8,1cm	77,0x50,1x4,3cm
Cabinet with stand (WxHxD, cm)	78,9x56,4x20,6cm	78,9x56,4x20,6cm	78,9 x 56,4 x 20,6cm	77,0x54,5x20,0cm
Weight	ca. 11,0kg	ca. 11,0kg	ca. 11,0kg	ca. 13,7kg
FRONT PANEL CONNECTIONS				
HDMI	○	○	○	○
Headphones	○	○	○	○
Cinch-AV socket	○	○	○	○
S-Video	○	○	○	○
REAR PANEL CONNECTIONS				
Euro-AV Socket AV1	Full wired	Full wired	Full wired	Full wired
Euro-AV Socket AV2	○	○	○	○
Euro-AV Socket AV3	○	○	○	○
S-Video	Hosiden	Hosiden	Hosiden	Hosiden
Camera-AV	3x Cinch socket in	3x Cinch socket in	3x Cinch socket in	3x Cinch socket in
Wireless	○	○	○	○
YUV input / progressive	Video-in: 3 x Cinch, Audio-in: 2 x Cinch	Video-in: 3 x Cinch, Audio-in: 2 x Cinch	Video-in: 3 x Cinch, Audio-in: 2 x Cinch	Video-in: 3 x Cinch, Audio-in: 2 x Cinch
PC-input	WXGA	WXGA	WXGA	WXGA
PC-Audio in	●	●	●	●
DVI	○	○	○	○
HDMI	3x	3x	4x	4x
HD ready including HDCP	via HDMI	via HDMI	via HDMI	via HDMI
Common Interface	1 slot	1 slot	1 slot	1 slot
Headphones	3,5mm jack	3,5mm jack	3,5mm jack	3,5mm jack
Digital Audio out coaxial (SPDIF)	●	●	●	●
Digital Audio out optical (SPDIF)	●	●	●	●
Video out	○	○	○	○
Audio out	●	●	●	●
USB	2 x USB 2.0	2 x USB 2.0	2 x USB 2.0	2 x USB 2.0
Antenna for terrestrial reception		1 x Coaxial-socket for TV-tuner-in, according to DIN 45325		
DC-connector	○	○	○	○
Power supply plug	●	●	●	●
SUPPLIED ACCESSORIES				
Wi-Fi Dongle	○	○	○	○
Remote control (incl. battery)	TP3 (RC5) incl. 3x Battery AAA size	TP3 (RC5) incl. 3x Battery AAA size	TP3 (RC5) incl. 3x Battery AAA size	TP3 (RC5) incl. 3x Battery AAA size
Power cord	non grounded	non grounded	non grounded	grounded
Cables	○	○	○	○
Instruction manual	●	●	●	●
Circuit diagram	○	○	○	○
Wall fixture	Prepared for VESA standard adaptor 200 x 200	Prepared for VESA standard adaptor 200 x 200	Prepared for VESA standard adaptor 200 x 200	Prepared for VESA standard adaptor 200 x 100
Stand	●	●	●	swivel type
Cleaning tissue	●	●	●	●

Technische Daten / Technical Data 32"

	32 VLE 7150 C	32 VLE 7160 C	32 VLE 811 S DL	32 VLE 8140 S DL
Order No.	GBJ5432	GBJ5332	GBJ8632	GBJ8032
Destination	D, A	D, A	D, A	D, A - Nordic Countries
Approbations	CE	CE	CE	CE
IM-Languages	D,GB	D,GB	D,GB	D,GB
IM-Languages 2	○	○	○	NO, DK, SE, FI, DE, EL, HR
Remote control	TP 3 black (RC5)	TP 3 black (RC5)	TP3 & Comfort Remote (Black)	TP3 & Comfort Remote (White)
EAN	40 13833-62575 9	40 13833-62572 8	40 13833-62672 5	40 13833-62493 6
Color	Glossy White	Glossy Black	Glossy black	Silver
DISPLAY				
Panel	32" / 80cm	32" / 80cm	32" / 80cm	32" / 80cm
Backlight	EDGE LED	EDGE LED	EDGE LED	EDGE LED
Wide-screen format	●	●	●	●
Response time	6,5ms	6,5ms	6,5ms	6,5ms
Brightness	450 cd/m2	450 cd/m2	450 cd/m2	450 cd/m2
Contrast ratio (Panel)	4.000:1	4.000:1	4.000:1	4.000:1
Dynamic contrast	Dynamic Contrast Plus	Dynamic Contrast Plus	Dynamic Contrast Plus	Dynamic Contrast Plus
Frame Refresh (frames per second)	100Hz	100Hz	100Hz	100Hz
Viewing angle vertical/horizontal, ca. °	178° / 178°	178° / 178°	178° / 178°	178° / 178°
Physical display resolution max. pixel	WUXGA 1920 x 1080 (full HD 100Hz)	WUXGA 1920 x 1080 (full HD 100Hz)	WUXGA 1920 x 1080 (full HD 100Hz)	WUXGA 1920 x 1080 (full HD 100Hz)
PICTURE				
Full HD	●	●	●	●
24p	○	○	○	○
HD-TV 1080p	●	●	●	●
Line Flicker Reduction	●	●	●	●
Digital Color Transition Improv. (DCTI)	●	●	●	●
Digital Combfilter	3D	3D	3D	3D
Digital Luminance Transition Improv. (DLTI)	●	●	●	●
Picture Noise Reduction	●	●	●	●
Preset picture modes	user, vivid, natural, movie, sports	user, vivid, natural, movie, sports	user, vivid, natural, movie, sports	user, vivid, natural, movie, sports
Aspect ratios (Format switching)	Auto (WSS), 4:3 / 16:9 / 14:9 / LetterBox / Subtitle / Panorama			
Blackline detection	○	○	○	○
PIP	○	○	○	○
Multifold Tuner scan (Mosaic Picture)	○	○	○	○
PAT: Split screen (PICTURE + TEXT)	●	●	●	●
PAP: Double Window (PICTURE+PICTURE)	○	○	○	○
P²AT: Double Window + TXT	○	○	○	○
POP: PICTURE on PICTURE	○	○	○	○
Picture freezing	●	●	●	●
Zoom with point function	●	●	●	●
Auto 16:9 selection via Scart	●	●	●	●
Sharpness control	●	●	●	●
Blue Background	●	●	●	●
CHASSIS				
TV-Chassis	SX	SX	SX	SX
Progressive	○	○	○	○
Tuner	PLL frequency synthesizer tuning	PLL frequency synthesizer tuning	PLL frequency synthesizer tuning	PLL frequency synthesizer tuning
Scaler	Sapphire 3+	Sapphire 3+	Sapphire 3+	Sapphire 3+
Keyboard	7 keys: menu, ± for programme, ± for volume, source, stand-by			
ELECTRONIC				
DLNA	●	●	●	●
Stand by indicator	blue LED	blue LED	blue LED	blue LED
EPG (Electronic Programme Guide)	7 days via DVB-T and DVB-C	7 days via DVB-T and DVB-C	7 days via DVB-T and DVB-C	7 days via DVB-T and DVB-C
Easy Dialog	○	○	○	○
Megalogic	○	○	○	○
Manual & autom. labeling of prog.	●	●	●	●
Programmable off timer	●	●	●	●
Programmable on timer	●	●	●	●
Intelligent channel search (Zapping funct.)	●	●	●	●
Programme Edit	●	●	●	●
Intelligent Programme Switch	○	○	○	○
Programme memory TV/AV (opt.)	100 Analog / 400 Digital / AV	100 Analog / 400 Digital / AV	100 Analog / 400 Digital / AV	100 Analog / 400 Digital / AV
Teletext/Fasttext/Toptext	● / ● / ●	● / ● / ●	● / ● / ●	● / ● / ●
Teletext options	1000 pages	1000 pages	1000 pages	1000 pages
Childlock	●	●	●	●
Menu languages OSD	24 languages: D, GB, F, I, E, P, NL, DK, S, FIN, N, TR, GR, PL, CZ, SK, SLO, H, RUS, RO, BG, HR, LT, EE			
OSD-style	OEM-style with Grundig look	OEM-style with Grundig look	OEM-style with Grundig look	OEM-style with Grundig look
Service mode	●	●	●	●
Game mode	presets (user changeable) for sound and picture in HDMI-, Component- and PC-mode			
Hotel mode	Simple hotel mode possible via service adjustment			
Digi Link (HDMI CEC 1.3)	●	●	●	●
Special feature	○	○	○	○
TUNING				
Autom. Tuning System with country select.	full automatic sorting	full automatic sorting	full automatic sorting	full automatic sorting
Frequency Based Auto Search	●	●	●	●
Automatic Micro-search	●	●	●	●
Automatic Programming	○	○	○	○
Manual fine tuning	●	●	●	●
Direct channel selection	●	●	●	●
Direct frequency selection	For cable tuning can be done by entering the frequency (MHz) in digital search menu			
PAL/SECAM/BG/DK/L/L/L	●	●	●	●
NTSC-Playback via Scart (3,58/4,43)	●	●	●	●
Cable TV / Hyperband (S1-S41)	●	●	●	●
AUDIO				
Mono/Stereo/Nicam	● / ● / ●	● / ● / ●	● / ● / ●	● / ● / ●
AV Stereo	●	●	●	●
Loudspeaker	2 wide band at the front side	2 wide band at the front side	2 wide band at the front side	2 wide band at the front side
SRS	●	●	●	●
Dolby digital	●	●	●	●
Virtual Dolby	○	○	○	○
Magic Fidelity Sound System	○	○	○	○
Soundprojector	○	○	○	○
Matched Sound Delay (Lip synchronous)	○	○	○	○
Subwoofer	○	○	○	○
Dynamic Bass	●	●	●	●
DSP (Digital Sound Processor)	○	○	○	○
Balance Adjustment	●	●	●	●
AVL (Audio Volume Level)	●	●	●	●
PIP listening via Headphone.jack	○	○	○	○
Equalizer	5 Band	5 Band	5 Band	5 Band
Space Sound Effect	●	●	●	●
Audio mode	cinema, music, sport, speech, user	cinema, music, sport, speech, user	cinema, music, sport, speech, user	cinema, music, sport, speech, user
Audio amplifier	2 x 10/20W nominal/music power (R/L)	2 x 10/20W nominal/music power (R/L)	2 x 10/20W nominal/music power (R/L)	2 x 10/20W nominal/music power (R/L)
USB part				
Screen saver	○	○	○	○
Recording	●	●	●	●
Dvix + HD	○	○	○	○
File browser	●	●	●	●
Video file resolution (max.)	1920 x 1080	1920 x 1080	1920 x 1080	1920 x 1080
Supported files	.mp3, .m4a, .aac, .jpg, .bmp, .png, .mov, .mpg, .mpe, .vob, .dat, .trp, .ts, .avi, .mp4, .mkv, H264(L4.0)			
Supported subtitles	SRT, SSA, ASS, SMI, Video SUB	SRT, SSA, ASS, SMI, Video SUB	SRT, SSA, ASS, SMI, Video SUB	SRT, SSA, ASS, SMI, Video SUB

	32 VLE 7150 C	32 VLE 7160 C	32 VLE 811 S DL	32 VLE 8140 S DL
DVB reception				
Fully compliant to	EN 300 744 & revised NorDig II spec (regarding DVB-T front end performance)			
Automatic/manual channel search	● / ● - ATS type sorting & LCN type sorting	● / ● - ATS type sorting & LCN type sorting	● / ● - ATS type sorting & LCN type sorting	● / ● - ATS type sorting & LCN type sorting
EPG (SI based)	●	●	●	●
- 8 Day Electronic Programme Guide	●	●	●	●
- now/next	●	●	●	●
- scheduled	If broadcasted	If broadcasted	If broadcasted	If broadcasted
- Extended Event Info	If broadcasted	If broadcasted	If broadcasted	If broadcasted
- Short Event Info	If broadcasted	If broadcasted	If broadcasted	If broadcasted
TV/Radio programmes	400	400	400	400
OSD languages	20 Languages: D, GB, F, I, E, NL, TR, DK, FIN, N, S, SI, PL, H, RUS, RO, HR, CZ, SK, BG, SER			
Parental control	○	○	○	○
Teletext VBI insertion	or decoding	or decoding	or decoding	or decoding
VPS - VBI insertion	PDC based	PDC based	PDC based	PDC based
Programme table	full automatic sorting	full automatic sorting	full automatic sorting	full automatic sorting
Factory station list	●	●	●	●
Embedded Conditional Access	○	○	○	○
Common Interface	●	●	●	●
CI +	●	●	●	●
Smart Card Reader	○	○	○	○
DVB-T Front end				
Tuner inputs (Hyperband)	1	1	1	1
Input frequency (MHz) / Loop through	177 - 862 VHF & UHF / ○	177 - 862 VHF & UHF / ○	177 - 862 VHF & UHF / ○	177 - 862 VHF & UHF / ○
Input level / Impedance	-80 to 20/dBm / 75 Ohm	-80 to 20/dBm / 75 Ohm	-80 to 20/dBm / 75 Ohm	-80 to 20/dBm / 75 Ohm
Modulation	COFDM 2/8 QPSK 16/64 QAM	COFDM 2/8 QPSK 16/64 QAM	COFDM 2/8 QPSK 16/64 QAM	COFDM 2/8 QPSK 16/64 QAM
FEC	1/2, 2/3, 3/4, 5/6, 7/8	1/2, 2/3, 3/4, 5/6, 7/8	1/2, 2/3, 3/4, 5/6, 7/8	1/2, 2/3, 3/4, 5/6, 7/8
Hierarchical modulation	Hierarchical - non hierarchical	Hierarchical - non hierarchical	Hierarchical - non hierarchical	Hierarchical - non hierarchical
DVB-S2 Front end				
Input frequency range	○	○	950 MHz to 2150 MHz	950 MHz to 2150 MHz
Signal level	○	○	-25 to -80 dBm (Only for DVB-S)	-25 to -70 dBm (Only for DVB-S2)
Demodulation	○	○	QPSK, 8PSK	QPSK, 8PSK
Input symbol rate	○	○	1 - 45 Msps for DVB-S, 5 - 30 Msps for DVB-S2	●
DiseqC 1.2 support	○	○	○	○
LNB power & Polarization	○	○	13/18V Selection Horizontal / Vertical - 22KHz generation - Overload Protection	
FEC MODE	○	○	Auto - QPSK-S: 1/2, 2/3, 3/4, 3/5, 5/6, 8/9, 9/10 - QPSK-S2: 1/2, 2/3, 3/4, 3/5, 4/5, 5/6, 8/9, 9/10 - 8PSK: 2/3, 3/4, 3/5, 5/6, 8/9, 9/10	
DVB-C Front end				
Input frequency (MHz)	47 - 862 VHF & UHF	47 - 862 VHF & UHF	47 - 862 VHF & UHF	47 - 862 VHF & UHF
Input level / Impedance	47 - 70 dBµV / 75 Ohm	47 - 70 dBµV / 75 Ohm	47 - 70 dBµV / 75 Ohm	47 - 70 dBµV / 75 Ohm
Demodulation / Symbol rate Ms/s	QAM 16/32/64/128/256 demodulation support (EN 300 429) 4.0...7.2 Msymbols/s			
Video Decoder				
MPEG profiles	MP@ML, MP@HL, MPEG4 AVC H.264 HP@L4.0			
Resolution	576i, 576p, 720p, 1080i, 1080p	576i, 576p, 720p, 1080i, 1080p	576i, 576p, 720p, 1080i, 1080p	576i, 576p, 720p, 1080i, 1080p
OSD colors	Fitting to TV-OSD	Fitting to TV-OSD	Fitting to TV-OSD	Fitting to TV-OSD
Picture formats	4:3, 16:9, pan scan, letter box	4:3, 16:9, pan scan, letter box	4:3, 16:9, pan scan, letter box	4:3, 16:9, pan scan, letter box
Audio Decoder				
Profiles	MPEG4, MPEG 1 layer I & II	MPEG4, MPEG 1 layer I & II	MPEG4, MPEG 1 layer I & II	MPEG4, MPEG 1 layer I & II
AC 3 Decoding	○	○	○	○
AC 3 Output	SP/DIF	SP/DIF	SP/DIF	SP/DIF
Modes	Mono, Dual Mono, Stereo, Joint Stereo	Mono, Dual Mono, Stereo, Joint Stereo	Mono, Dual Mono, Stereo, Joint Stereo	Mono, Dual Mono, Stereo, Joint Stereo
Software				
Service information processing	Dynamic PMT	Dynamic PMT	Dynamic PMT	Dynamic PMT
DVB subtitles	●	●	●	●
Over air download (OTA)	DVB enhanced profile	DVB enhanced profile	DVB enhanced profile	DVB enhanced profile
Navigator	via menu	via menu	via menu	via menu
API	○	○	○	○
Last station memory	from stand-by, as TV	from stand-by, as TV	from stand-by, as TV	from stand-by, as TV
Favourite mode	4x free	4x free	4x free	4x free
Timer / Sleep timer	○	○	○	○
Clock	○	○	○	○
Volume	○	○	○	○
Mute function	●	●	●	●
Swap function	●	●	●	●
POWER SUPPLY / CABINET				
Power voltage	230V, 50Hz; in accordance to IEC 65	230V, 50Hz; in accordance to IEC 65	230V, 50Hz; in accordance to IEC 65	230V, 50Hz; in accordance to IEC 65
Range of regulation	140V - 265V	140V - 265V	140V - 265V	140V - 265V
Power switch	Tact switch	Tact switch	Tact switch	Tact switch
Integrated supply	○	○	○	○
Plug-in AC adaptor	○	○	○	○
Power consumption	85W, standby 0.38W in accordance to IEC 62087-2002	85W, standby 0.38W in accordance to IEC 62087-2002	85W, standby 0.38W in accordance to IEC 62087-2002	85W, standby 0.38W in accordance to IEC 62087-2002
Cabinet (WxHxD, cm)	77,0x50,1x4,3cm	77,0x50,1x4,3cm	77,0x50,1x4,3cm	77,0x50,1x4,3cm
Cabinet with stand (WxHxD, cm)	77,0x54,5x20,0cm	77,0x54,5x20,0cm	77,0x54,5x20,0cm	77,0x54,5x20,0cm
Weight	ca. 13,7kg	ca. 13,7kg	ca. 13,7kg	ca. 13,7kg
FRONT PANEL CONNECTIONS				
HDMI	○	○	○	○
Headphones	○	○	○	○
Cinch-AV socket	○	○	○	○
S-Video	○	○	○	○
REAR PANEL CONNECTIONS				
Euro-AV Socket AV1	Full wired	Full wired	Full wired	Full wired
Euro-AV Socket AV2	○	○	○	○
Euro-AV Socket AV3	○	○	○	○
S-Video	Hosiden	Hosiden	Hosiden	Hosiden
Camera-AV	3x Cinch socket in	3x Cinch socket in	3x Cinch socket in	3x Cinch socket in
Wireless	○	○	○	○
YUV input / progressive	Video-in: 3 x Cinch, Audio-in: 2 x Cinch	Video-in: 3 x Cinch, Audio-in: 2 x Cinch	Video-in: 3 x Cinch, Audio-in: 2 x Cinch	Video-in: 3 x Cinch, Audio-in: 2 x Cinch
PC-input	WXGA	WXGA	WXGA	WXGA
PC-Audio in	●	●	●	●
DVI	○	○	○	○
HDMI	4x	4x	4x	4x
HD ready including HDCP	via HDMI	via HDMI	via HDMI	via HDMI
Common Interface	1 slot	1 slot	1 slot	1 slot
Headphones	3.5mm jack	3.5mm jack	3.5mm jack	3.5mm jack
Digital Audio out coaxial (SPDIF)	●	●	●	●
Digital Audio out optical (SPDIF)	●	●	●	●
Video out	○	○	○	○
Audio out	●	●	●	●
USB	2 x USB 2.0	2 x USB 2.0	2 x USB 2.0	2 x USB 2.0
Antenna for terrestrial reception		1 x Coaxial-socket for TV-tuner-in, according to DIN 45325		
DC-connector	○	○	○	○
Power supply plug	●	●	●	●
SUPPLIED ACCESSORIES				
Wi-Fi Dongle	○	○	○	○
Remote control (incl. battery)	TP3 (RC5) incl. 3x Battery AAA size	TP3 (RC5) incl. 3x Battery AAA size	TP 3 black (RC5) & Comfort Remote (YF-1)	TP 3 black (RC5) & Comfort Remote (YF-1)
Power cord	grounded	grounded	grounded	grounded
Cables	○	○	○	○
Instruction manual	●	●	●	●
Circuit diagram	○	○	○	○
Wall fixture	Prepared for VESA standard adaptor 200 x 100			
Stand	swivel type	swivel type	swivel type	swivel type glass stand
Cleaning tissue	●	●	●	●

Technische Daten / Technical Data 32"

	32 VLE 8141 S DL	32 VLE 8142 S DL	32 VLE 8180 S	Fine Arts 32 C DL
Order No.	GBJ8132	GBJ8332	GBJ8232	GBJ7032
Destination	Nordic Countries	Nordic Countries	D, A	France - Italy
Approbations	CE	CE	CE	CE
IM-Languages	D,GB	NO, DK, SE, FI, DE, EL, HR	D,GB	D,GB
IM-Languages 2	NO, DK, SE, FI, DE, EL, HR	○	○	Fr, FR, ES, PT, DE, EN, NL, EE - IT, EN, HR, CZ, IT, DE, FR, EL
Remote control	TP3 & Comfort Remote (Black)	TP3 & Comfort Remote (Black)	TP3 & Comfort Remote (Black)	TP3 & Comfort Remote (White)
EAN	40 13833-62563 6	40 13833-62605 3	40 13833-62570 4	40 13833-62451 6
Color	chrome & anthracite	Black, silver	Glossy black / Silver	Silver
DISPLAY				
Panel	32" / 80cm	32" / 80cm	32" / 80cm	32" / 80cm
Backlight	EDGE LED	EDGE LED	EDGE LED	EDGE LED
Wide-screen format	●	●	●	●
Response time	6,5ms	6,5ms	6,5ms	6,5ms
Brightness	450 cd/m2	450 cd/m2	450 cd/m2	450 cd/m2
Contrast ratio (Panel)	4.000:1	4.000:1	4.000:1	4.000:1
Dynamic contrast	Dynamic Contrast Plus	Dynamic Contrast Plus	Dynamic Contrast Plus	1.000.000:1
Frame Refresh (frames per second)	100Hz	100Hz	100Hz	100Hz
Viewing angle vertical/horizontal, ca. °	178° / 178°	178° / 178°	178° / 178°	178° / 178°
Physical display resolution max. pixel	WUXGA 1920 x 1080 (full HD 100Hz)	WUXGA 1920 x 1080 (full HD 100Hz)	WUXGA 1920 x 1080 (full HD 100Hz)	WUXGA 1920 x 1080 (full HD 100Hz)
PICTURE				
Full HD	●	●	●	●
24p	○	○	○	○
HD-TV 1080p	●	●	●	●
Line Flicker Reduction	●	●	●	●
Digital Color Transition Improv. (DCTI)	●	●	●	●
Digital Combfilter	3D	3D	3D	3D
Digital Luminance Transition Improv. (DLTI)	●	●	●	●
Picture Noise Reduction	●	●	●	●
Preset picture modes	user, vivid, natural, movie, sports	user, vivid, natural, movie, sports	user, vivid, natural, movie, sports	user, vivid, natural, movie, sports
Aspect ratios (Format switching)	○	Auto (WSS), 4:3 / 16:9 / 14:9 / LetterBox / Subtitle / Panorama	○	○
Blackline detection	○	○	○	○
PIP	○	○	○	○
Multifold Tuner scan (Mosaic Picture)	○	○	○	○
PAT: Split screen (PICTURE + TEXT)	○	○	○	○
PAP: Double Window (PICTURE+PICTURE)	○	○	○	○
P²AT: Double Window + TXT	○	○	○	○
POP: PICTURE on PICTURE	○	○	○	○
Picture freezing	●	●	●	●
Zoom with point function	●	●	●	●
Auto 16:9 selection via Scart	●	●	●	●
Sharpness control	●	●	●	●
Blue Background	●	●	●	●
CHASSIS				
TV-Chassis	SX	SX	SX	SX
Progressive	○	○	○	○
Tuner	PLL frequency synthesizer tuning	PLL frequency synthesizer tuning	PLL frequency synthesizer tuning	PLL frequency synthesizer tuning
Scaler	Sapphire 3+	Sapphire 3+	Sapphire 3+	Sapphire 1+
Keyboard		7 keys: menu, ± for programme, ± for volume, source, stand-by		
ELECTRONIC				
DLNA	●	●	●	●
Stand by indicator	blue LED	blue LED	blue LED	blue LED
EPG (Electronic Programme Guide)	7 days via DVB-T and DVB-C	7 days via DVB-T and DVB-C	7 days via DVB-T and DVB-C	7 days via DVB-T and DVB-C
Easy Dialog	○	○	○	○
Megalogic	○	○	○	○
Manual & autom. labeling of prog.	●	●	●	●
Programmable off timer	●	●	●	●
Programmable on timer	●	●	●	●
Intelligent channel search (Zapping funct.)	●	●	●	●
Programme Edit	●	●	●	●
Intelligent Programme Switch	○	○	○	○
Programme memory TV/AV (opt.)	100 Analog / 400 Digital / AV	100 Analog / 400 Digital / AV	100 Analog / 400 Digital / AV	100 Analog / 400 Digital / AV
Teletext/Fasttext/Toptext	● / ● / ●	● / ● / ●	● / ● / ●	● / ● / ●
Teletext options	1000 pages	1000 pages	1000 pages	1000 pages
Childlock	●	●	●	●
Menu languages OSD		24 languages, D, GB, F, I, E, P, NL, DK, S, FIN, N, TR, GR, PL, CZ, SK, SLO, H, RUS, RO, BG, HR, LT, EE		
OSD-style	OEM-style with Grundig look	OEM-style with Grundig look	OEM-style with Grundig look	OEM-style with Grundig look
Service mode	●	●	●	●
Game mode		presets (user changeable) for sound and picture in HDMI-, Component- and PC-mode		
Hotel mode		Simple hotel mode possible via service adjustment		
Digi Link (HDMI CEC 1.3)	●	●	●	●
Special feature	○	○	○	○
TUNING				
Autom. Tuning System with country select.	full automatic sorting	full automatic sorting	full automatic sorting	full automatic sorting
Frequency Based Auto Search	●	●	●	●
Automatic Micro-search	●	●	●	●
Automatic Programming	○	○	○	○
Manual fine tuning	●	●	●	●
Direct channel selection	●	●	●	●
Direct frequency selection		For cable tuning can be done by entering the frequency (MHz) in digital search menu		
PAL/SECAM/BG/DK/L/L/L	●	●	●	●
NTSC-Playback via Scart (3,58/4,43)	●	●	●	●
Cable TV / Hyperband (S1-S41)	●	●	●	●
AUDIO				
Mono/Stereo/Nicam	● / ● / ●	● / ● / ●	● / ● / ●	● / ● / ●
AV Stereo	●	●	●	●
Loudspeaker	2 wide band at the front side	2 wide band at the front side	2 wide band at the front side	2 wide band at the front side
SRS	●	●	●	●
Dolby digital	○	○	○	○
Virtual Dolby	○	○	○	○
Magic Fidelity Sound System	○	○	○	○
Soundprojector	○	○	○	○
Matched Sound Delay (Lip synchronous)	○	○	○	○
Subwoofer	○	○	○	○
Dynamic Bass	○	○	○	○
DSP (Digital Sound Processor)	○	○	○	○
Balance Adjustment	●	●	●	●
AVL (Audio Volume Level)	○	○	○	○
PIP listening via Headphone.jack	○	○	○	○
Equalizer	5 Band	5 Band	5 Band	5 Band
Space Sound Effect	●	●	●	●
Audio mode	cinema, music, sport, speech, user	cinema, music, sport, speech, user	cinema, music, sport, speech, user	cinema, music, sport, speech, user
Audio amplifier	2 x 10/20W nominal/music power (R/L)	2 x 10/20W nominal/music power (R/L)	2 x 10/20W nominal/music power (R/L)	2 x 10/20W nominal/music power (R/L)
USB part				
Screen saver	○	○	○	○
Recording	●	●	●	●
Divx + HD	●	●	●	○
File browser	●	●	●	○
Video file resolution (max.)	1920 x 1080	1920 x 1080	1920 x 1080	1920 x 1080
Supported files		.mp3, .m4a, .aac, .jpg, .bmp, .png, .mov, .mpg, .mpe, .vob, .dat, .trp, .ts, .avi, .mp4, .mkv, H264(L4.0)		
Supported subtitles	SRT, SSA, ASS, SMI, Video SUB	SRT, SSA, ASS, SMI, Video SUB	SRT, SSA, ASS, SMI, Video SUB	SRT, SSA, ASS, SMI, Video SUB

	32 VLE 8141 S DL	32 VLE 8142 S DL	32 VLE 8180 S	Fine Arts 32 C DL
DVB reception				
Fully compliant to	EN 300 744 & revised NorDig II spec (regarding DVB-T front end performance)			
Automatic/manual channel search	● / ● - ATS type sorting & LCN type sorting	● / ● - ATS type sorting & LCN type sorting	● / ● - ATS type sorting & LCN type sorting	● / ● - ATS type sorting & LCN type sorting
EPG (SI based)	●	●	●	●
- 8 Day Electronic Programme Guide	●	●	●	●
- now/next	●	●	●	●
- scheduled	If broadcasted	If broadcasted	If broadcasted	If broadcasted
- Extended Event Info	If broadcasted	If broadcasted	If broadcasted	If broadcasted
- Short Event Info	If broadcasted	If broadcasted	If broadcasted	If broadcasted
TV/Radio programmes	400	400	400	400
OSD languages	20 Languages: D, GB, F, I, E, NL, TR, DK, FIN, N, S, SI, PL, H, RUS, RO, HR, CZ, SK, BG, SER			
Parental control	○	○	○	○
Teletext VBI insertion	or decoding	or decoding	or decoding	or decoding
VPS - VBI insertion	PDC based	PDC based	PDC based	PDC based
Programme table	full automatic sorting	full automatic sorting	full automatic sorting	full automatic sorting
Factory station list	●	●	●	●
Embedded Conditional Access	○	○	○	○
Common Interface	●	●	●	●
CI +	●	●	●	●
Smart Card Reader	○	○	○	○
DVB-T Front end				
Tuner inputs (Hyperband)	1	1	1	1
Input frequency (MHz) / Loop through	177 - 862 VHF & UHF / ○	177 - 862 VHF & UHF / ○	177 - 862 VHF & UHF / ○	177 - 862 VHF & UHF / ○
Input level / Impedance	-80 to 20/dBm / 75 Ohm	-80 to 20/dBm / 75 Ohm	-80 to 20/dBm / 75 Ohm	-80 to 20/dBm / 75 Ohm
Modulation	COFDM 2/8 QPSK 16/64 QAM	COFDM 2/8 QPSK 16/64 QAM	COFDM 2/8 QPSK 16/64 QAM	COFDM 2/8 QPSK 16/64 QAM
FEC	1/2, 2/3, 3/4, 5/6, 7/8	1/2, 2/3, 3/4, 5/6, 7/8	1/2, 2/3, 3/4, 5/6, 7/8	1/2, 2/3, 3/4, 5/6, 7/8
Hierarchical modulation	Hierarchical - non hierarchical	Hierarchical - non hierarchical	Hierarchical - non hierarchical	Hierarchical - non hierarchical
DVB-S2 Front end				
Input frequency range	950 MHz to 2150 MHz	950 MHz to 2150 MHz	950 MHz to 2150 MHz	950 MHz to 2150 MHz
Signal level		-25 to -80 dBm (Only for DVB-S)	-25 to -70 dBm (Only for DVB-S2)	
Demodulation	QPSK, 8PSK	QPSK, 8PSK	QPSK, 8PSK	QPSK, 8PSK
Input symbol rate		1 - 45 Msps for DVB-S, 5 - 30 Msps for DVB-S2		
DiseqC 1.2 support	●	●	●	●
LNB power & Polarization	13/18V Selection Horizontal / Vertical - 22KHz generation - Overload Protection			
FEC MODE	Auto - QPSK-S: 1/2, 2/3, 3/4, 3/5, 5/6, 8/9, 9/10 - QPSK-S2: 1/2, 2/3, 3/4, 3/5, 4/5, 5/6, 8/9, 9/10 - 8PSK: 2/3, 3/4, 3/5, 5/6, 8/9, 9/10			
DVB-C Front end				
Input frequency (MHz)	47 - 862 VHF & UHF	47 - 862 VHF & UHF	47 - 862 VHF & UHF	47 - 862 VHF & UHF
Input level / Impedance	47 - 70 dBuV / 75 Ohm	47 - 70 dBuV / 75 Ohm	47 - 70 dBuV / 75 Ohm	47 - 70 dBuV / 75 Ohm
Demodulation / Symbol rate Ms/s	QAM 16/32/64/128/256 demodulation support (EN 300 429) 4.0...7.2 Msymbols/s			
Video Decoder				
MPEG profiles	MP@ML, MP@HL, MPEG4 AVC H.264 HP@L4.0			
Resolution	576i, 576p, 720p, 1080i, 1080p	576i, 576p, 720p, 1080i, 1080p	576i, 576p, 720p, 1080i, 1080p	576i, 576p, 720p, 1080i, 1080p
OSD colors	Fitting to TV-OSD	Fitting to TV-OSD	Fitting to TV-OSD	Fitting to TV-OSD
Picture formats	4:3, 16:9, pan scan, letter box	4:3, 16:9, pan scan, letter box	4:3, 16:9, pan scan, letter box	4:3, 16:9, pan scan, letter box
Audio Decoder				
Profiles	MPEG4, MPEG 1 layer I & II	MPEG4, MPEG 1 layer I & II	MPEG4, MPEG 1 layer I & II	MPEG4, MPEG 1 layer I & II
AC 3 Decoding	○	○	○	○
AC 3 Output	SP/DIF	SP/DIF	SP/DIF	SP/DIF
Modes	Mono, Dual Mono, Stereo, Joint Stereo	Mono, Dual Mono, Stereo, Joint Stereo	Mono, Dual Mono, Stereo, Joint Stereo	Mono, Dual Mono, Stereo, Joint Stereo
Software				
Service information processing	Dynamic PMT	Dynamic PMT	Dynamic PMT	Dynamic PMT
DVB subtitles	●	●	●	●
Over air download (OTA)	DVB enhanced profile	DVB enhanced profile	DVB enhanced profile	DVB enhanced profile
Navigator	via menu	via menu	via menu	via menu
API	○	○	○	○
Last station memory	from stand-by, as TV	from stand-by, as TV	from stand-by, as TV	from stand-by, as TV
Favourite mode	4x free	4x free	4x free	4x free
Timer / Sleep timer	○	○	○	○
Clock	○	○	○	○
Volume	○	○	○	○
Mute function	●	●	●	●
Swap function	●	●	●	●
POWER SUPPLY / CABINET				
Power voltage	230V, 50Hz; in accordance to IEC 65	230V, 50Hz; in accordance to IEC 65	230V, 50Hz; in accordance to IEC 65	230V, 50Hz; in accordance to IEC 65
Range of regulation	140V - 265V	140V - 265V	140V - 265V	140V - 265V
Power switch	Tact switch	Tact switch	Tact switch	Tact switch
Integrated supply	○	○	○	○
Plug-in AC adaptor	○	○	○	○
Power consumption	85W, standby 0.38W in accordance to IEC 62087-2002	85W, standby 0.38W in accordance to IEC 62087-2002	85W, standby 0.38W in accordance to IEC 62087-2002	85W, standby 0.38W in accordance to IEC 62087-2002
Cabinet (WxHxD, cm)	77,0x50,1x4,3cm	77,0x50,1x4,3cm	77,0x50,1x4,3cm	76,8x50,1x4,1cm
Cabinet with stand (WxHxD, cm)	77,0x54,5x20,0cm	77,0x54,5x20,0cm	77,0x54,5x20,0cm	76,8x55,4x21,0cm
Weight	ca. 13,7kg	ca. 13,7kg	ca. 13,7kg	ca. 18,7kg
FRONT PANEL CONNECTIONS				
HDMI	○	○	○	○
Headphones	○	○	○	○
Cinch-AV socket	○	○	○	○
S-Video	○	○	○	○
REAR PANEL CONNECTIONS				
Euro-AV Socket AV1	Full wired	Full wired	Full wired	Full wired
Euro-AV Socket AV2	○	○	○	○
Euro-AV Socket AV3	○	○	○	○
S-Video	Hosiden	Hosiden	Hosiden	Hosiden
Camera-AV	3x Cinch socket in	3x Cinch socket in	3x Cinch socket in	3x Cinch socket in
Wireless	○	○	○	○
YUV input / progressive	Video-in: 3 x Cinch, Audio-in: 2 x Cinch	Video-in: 3 x Cinch, Audio-in: 2 x Cinch	Video-in: 3 x Cinch, Audio-in: 2 x Cinch	Video-in: 3 x Cinch, Audio-in: 2 x Cinch
PC-input	WXGA	WXGA	WXGA	WXGA
PC-Audio in	●	●	●	●
DVI	○	○	○	○
HDMI	4x	4x	4x	4x
HD ready including HDCP	via HDMI	via HDMI	via HDMI	via HDMI
Common Interface	1 slot	1 slot	1 slot	1 slot
Headphones	3.5mm jack	3.5mm jack	3.5mm jack	3.5mm jack
Digital Audio out coaxial (SPDIF)	●	●	●	●
Digital Audio out optical (SPDIF)	○	○	○	○
Video out	○	○	○	○
Audio out	○	○	○	○
USB	2 x USB 2.0	2 x USB 2.0	2 x USB 2.0	2 x USB 2.0
Antenna for terrestrial reception		1 x Coaxial-socket for TV-tuner-in, according to DIN 45325		
DC-connector	○	○	○	○
Power supply plug	●	●	●	●
SUPPLIED ACCESSORIES				
Wi-Fi Dongle	○	○	○	○
Remote control (incl. battery)	TP 3 black (RC5) & Comfort Remote (YF-1)	TP 3 black (RC5) & Comfort Remote (YF-1)	3 incl. 2x Battery AAA size & Comfort Remote (TP 3 black (RC5) & Comfort Remote (YF-1)	TP 3 black (RC5) & Comfort Remote (YF-1)
Power cord	grounded	grounded	grounded	grounded
Cables	○	○	○	○
Instruction manual	●	●	●	●
Circuit diagram	○	○	○	○
Wall fixture		Prepared for VESA standard adaptor 200 x 100		
Stand	swivel type glass stand	swivel type glass stand	swivel type	swivel type glass stand
Cleaning tissue	●	●	●	○

Technische Daten / Technical Data 32"

	Fine Arts 32 S DL	Hamburg 32 VLC 8140 S	New York 32 S DL	Rom 32 VLE 8162 S DL
Order No.	GBJ7232/GBJ7132	GBJ8432	GBJ9032/GBJ9132	GBJ9232
Destination	D, A - Nordic Countries	D, A - Nordic	D, A	D, A
Approbations	CE	CE	CE	CE
IM-Languages	D,GB	D,GB	D,GB	D,GB
IM-Languages 2	○	SE, NO, FI, DK	○	○
Remote control	TP3 & Comfort Remote (White)	TP3 & Comfort Remote (Black)	TP3 & Comfort Remote (White)	TP3 & Comfort Remote (Black)
EAN	40 13833-62474 5/-62473 8	40 13833-62610 7	40 13833-62480 6/-62479 0	40 13833-62487 5
Color	Black/ Silver	glossy black	Black/ Silver	Glossy Black & Silver
DISPLAY				
Panel	32" / 80cm	32" / 80cm	32" / 80cm	32" / 80cm
Backlight	EDGE LED	CCFL	EDGE LED	EDGE LED
Wide-screen format	●	●	●	●
Response time	6,5ms	8ms	6,5ms	6,5ms
Brightness	450 cd/m2	470 cd/m2	450 cd/m2	450 cd/m2
Contrast ratio (Panel)	4.000:1	1.400:1	4.000:1	4.000:1
Dynamic contrast	1.000.000:1	50.000:1	1.000.000:1	35.000:1
Frame Refresh (frames per second)	100Hz	100Hz	100Hz	100Hz
Viewing angle vertical/horizontal, ca. °	178° / 178°	178° / 178°	178° / 178°	178° / 178°
Physical display resolution max. pixel	WUXGA 1920 x 1080 (full HD 100Hz)	WUXGA 1920 x 1080 (full HD)	WUXGA 1920 x 1080 (full HD 100Hz)	WUXGA 1920 x 1080 (full HD 100Hz)
PICTURE				
Full HD	●	●	●	●
24p	○	○	○	○
HD-TV 1080p	●	●	●	●
Line Flicker Reduction	●	●	●	●
Digital Color Transition Improv. (DCTI)	●	●	●	●
Digital Combfilter	3D	3D	3D	3D
Digital Luminance Transition Improv. (DLTI)	●	●	●	●
Picture Noise Reduction	●	●	●	●
Preset picture modes	user, vivid, natural, movie, sports	user, vivid, natural, movie, sports	user, vivid, natural, movie, sports	user, vivid, natural, movie, sports
Aspect ratios (Format switching)	Auto (WSS), 4:3 / 16:9 / 14:9 / LetterBox / Subtitle / Panorama			
Blackline detection	○	○	○	○
PIP	○	○	○	○
Multifold Tuner scan (Mosaic Picture)	○	○	○	○
PAT: Split screen (PICTURE + TEXT)	●	●	●	●
PAP: Double Window (PICTURE+PICTURE)	○	○	○	○
P²AT: Double Window + TXT	○	○	○	○
POP: PICTURE on PICTURE	○	○	○	○
Picture freezing	●	●	●	●
Zoom with point function	●	●	●	●
Auto 16:9 selection via Scart	●	●	●	●
Sharpness control	●	●	●	●
Blue Background	●	●	●	●
CHASSIS				
TV-Chassis	SX	SX	SX	SX
Progressive	○	○	○	○
Tuner	PLL frequency synthesizer tuning	PLL frequency synthesizer tuning	PLL frequency synthesizer tuning	PLL frequency synthesizer tuning
Scaler	Sapphire 1+	Sapphire 3+	Sapphire 3+	Sapphire 3+
Keyboard	7 keys: menu, ± for programme, ± for volume, source, stand-by			
ELECTRONIC				
DLNA	●	○	●	●
Stand by indicator	blue LED	blue LED	blue LED	blue LED
EPG (Electronic Programme Guide)	7 days via DVB-T and DVB-C	7 days via DVB-T and DVB-C	7 days via DVB-T and DVB-C	7 days via DVB-T and DVB-C
Easy Dialog	○	○	○	○
Megalogic	○	○	○	○
Manual & autom. labeling of prog.	●	●	●	●
Programmable off timer	●	●	●	●
Programmable on timer	●	●	●	●
Intelligent channel search (Zapping funct.)	●	●	●	●
Programme Edit	●	●	●	●
Intelligent Programme Switch	○	○	○	○
Programme memory TV/AV (opt.)	100 Analog / 400 Digital / AV	100 Analog / 400 Digital / AV	100 Analog / 400 Digital / AV	100 Analog / 400 Digital / AV
Teletext/Fasttext/Toptext	● / ● / ●	● / ● / ●	● / ● / ●	● / ● / ●
Teletext options	1000 pages	1000 pages	1000 pages	1000 pages
Childlock	●	●	●	●
Menu languages OSD	24 languages: D, GB, F, I, E, P, NL, DK, S, FIN, N, TR, GR, PL, CZ, SK, SLO, H, RUS, RO, BG, HR, LT, EE			
OSD-style	OEM-style with Grundig look	OEM-style with Grundig look	OEM-style with Grundig look	OEM-style with Grundig look
Service mode	●	●	●	●
Game mode	presets (user changeable) for sound and picture in HDMI-, Component- and PC-mode			
Hotel mode	Simple hotel mode possible via service adjustment			
Digi Link (HDMI CEC 1.3)	●	●	●	●
Special feature	○	Clock on the front cabinet	○	○
TUNING				
Autom. Tuning System with country select.	full automatic sorting	full automatic sorting	full automatic sorting	full automatic sorting
Frequency Based Auto Search	●	●	●	●
Automatic Micro-search	●	●	●	●
Automatic Programming	○	○	○	○
Manual fine tuning	●	●	●	●
Direct channel selection	●	●	●	●
Direct frequency selection	For cable tuning can be done by entering the frequency (MHz) in digital search menu			
PAL/SECAM/BG/DK/L/L/L	●	●	●	●
NTSC-Playback via Scart (3,58/4,43)	●	●	●	●
Cable TV / Hyperband (S1-S41)	●	●	●	●
AUDIO				
Mono/Stereo/Nicam	● / ● / ●	● / ● / ●	● / ● / ●	● / ● / ●
AV Stereo	●	●	●	●
Loudspeaker	2 wide band at the front side	2 wide band at the front side	2 wide band at the front side	2 wide band at the front side
SRS	●	●	●	●
Dolby digital	○	○	○	○
Virtual Dolby	○	○	○	○
Magic Fidelity Sound System	○	○	○	○
Soundprojector	○	○	○	○
Matched Sound Delay (Lip synchronous)	○	○	○	○
Subwoofer	○	○	○	○
Dynamic Bass	●	●	●	●
DSP (Digital Sound Processor)	○	○	○	○
Balance Adjustment	●	●	●	●
AVL (Audio Volume Level)	●	●	●	●
PIP listening via Headphone.jack	○	○	○	○
Equalizer	5 Band	5 Band	5 Band	5 Band
Space Sound Effect	●	●	●	●
Audio mode	cinema, music, sport, speech, user	cinema, music, sport, speech, user	cinema, music, sport, speech, user	cinema, music, sport, speech, user
Audio amplifier	2 x 10/20W nominal/music power (R/L)	2 x 10/20W nominal/music power (R/L)	2 x 10/20W nominal/music power (R/L)	2 x 10/20W nominal/music power (R/L)
USB part				
Screen saver	○	○	○	○
Recording	●	●	●	●
Dvix + HD	○	○	○	○
File browser	○	○	○	○
Video file resolution (max.)	1920 x 1080	1920 x 1080	1920 x 1080	1920 x 1080
Supported files	.mp3, .m4a, .aac, .jpg, .bmp, .png, .mov, .mpg, .mpe, .vob, .dat, .trp, .ts, .avi, .mp4, .mkv, H264(L4.0)			
Supported subtitles	SRT, SSA, ASS, SMI, Video SUB	SRT, SSA, ASS, SMI, Video SUB	SRT, SSA, ASS, SMI, Video SUB	SRT, SSA, ASS, SMI, Video SUB

	Fine Arts 32 S DL	Hamburg 32 VLC 8140 S	New York 32 S DL	Rom 32 VLE 8162 S DL
DVB reception				
Fully compliant to	EN 300 744 & revised NorDig II spec (regarding DVB-T front end performance)			
Automatic/manual channel search	● / ● - ATS type sorting & LCN type sorting	● / ● - ATS type sorting & LCN type sorting	● / ● - ATS type sorting & LCN type sorting	● / ● - ATS type sorting & LCN type sorting
EPG (SI based)	●	●	●	●
- 8 Day Electronic Programme Guide	●	●	●	●
- now/next	●	●	●	●
- scheduled	If broadcasted	If broadcasted	If broadcasted	If broadcasted
- Extended Event Info	If broadcasted	If broadcasted	If broadcasted	If broadcasted
- Short Event Info	If broadcasted	If broadcasted	If broadcasted	If broadcasted
TV/Radio programmes	400	400	400	400
OSD languages	20 Languages: D, GB, F, I, E, NL, TR, DK, FIN, N, S, SI, PL, H, RUS, RO, HR, CZ, SK, BG, SER			
Parental control	○	○	○	○
Teletext VBI insertion	or decoding	or decoding	or decoding	or decoding
VPS - VBI insertion	PDC based	PDC based	PDC based	PDC based
Programme table	full automatic sorting	full automatic sorting	full automatic sorting	full automatic sorting
Factory station list	●	●	●	●
Embedded Conditional Access	○	○	○	○
Common Interface	●	●	●	●
CI +	●	●	●	●
Smart Card Reader	○	○	○	○
DVB-T Front end				
Tuner inputs (Hyperband)	1	1	1	1
Input frequency (MHz) / Loop through	177 - 862 VHF & UHF / ○	177 - 862 VHF & UHF / ○	177 - 862 VHF & UHF / ○	177 - 862 VHF & UHF / ○
Input level / Impedance	-80 to 20/dBm / 75 Ohm	-80 to 20/dBm / 75 Ohm	-80 to 20/dBm / 75 Ohm	-80 to 20/dBm / 75 Ohm
Modulation	COFDM 2/8 QPSK 16/64 QAM	COFDM 2/8 QPSK 16/64 QAM	COFDM 2/8 QPSK 16/64 QAM	COFDM 2/8 QPSK 16/64 QAM
FEC	1/2, 2/3, 3/4, 5/6, 7/8	1/2, 2/3, 3/4, 5/6, 7/8	1/2, 2/3, 3/4, 5/6, 7/8	1/2, 2/3, 3/4, 5/6, 7/8
Hierarchical modulation	Hierarchical - non hierarchical	Hierarchical - non hierarchical	Hierarchical - non hierarchical	Hierarchical - non hierarchical
DVB-S2 Front end				
Input frequency range	950 MHz to 2150 MHz	950 MHz to 2150 MHz	950 MHz to 2150 MHz	950 MHz to 2150 MHz
Signal level	-25 to -80 dBm (Only for DVB-S) -25 to -70 dBm (Only for DVB-S2)			
Demodulation	QPSK, 8PSK	QPSK, 8PSK	QPSK, 8PSK	QPSK, 8PSK
Input symbol rate	1 - 45 Msps for DVB-S, 5 - 30 Msps for DVB-S2			
DiseqC 1.2 support	●	●	●	●
LNB power & Polarization 13/18V Selection Horizontal / Vertical - 22KHz generation - Overload Protection				
FEC MODE Auto - QPSK-S: 1/2, 2/3, 3/4, 3/5, 5/6, 8/9, 9/10 - QPSK-S2: 1/2, 2/3, 3/4, 3/5, 4/5, 5/6, 8/9, 9/10 - 8PSK: 2/3, 3/4, 3/5, 5/6, 8/9, 9/10				
DVB-C Front end				
Input frequency (MHz)	47 - 862 VHF & UHF	47 - 862 VHF & UHF	47 - 862 VHF & UHF	47 - 862 VHF & UHF
Input level / Impedance	47 - 70 dBuV / 75 Ohm	47 - 70 dBuV / 75 Ohm	47 - 70 dBuV / 75 Ohm	47 - 70 dBuV / 75 Ohm
Demodulation / Symbol rate Ms/s	QAM 16/32/64/128/256 demodulation support (EN 300 429) 4.0...7.2 Msymbols/s			
Video Decoder				
MPEG profiles	MP@ML, MP@HL, MPEG4 AVC H.264 HP@L4.0			
Resolution	576i, 576p, 720p, 1080i, 1080p	576i, 576p, 720p, 1080i, 1080p	576i, 576p, 720p, 1080i, 1080p	576i, 576p, 720p, 1080i, 1080p
OSD colors	Fitting to TV-OSD	Fitting to TV-OSD	Fitting to TV-OSD	Fitting to TV-OSD
Picture formats	4:3, 16:9, pan scan, letter box	4:3, 16:9, pan scan, letter box	4:3, 16:9, pan scan, letter box	4:3, 16:9, pan scan, letter box
Audio Decoder				
Profiles	MPEG4, MPEG 1 layer I & II	MPEG4, MPEG 1 layer I & II	MPEG4, MPEG 1 layer I & II	MPEG4, MPEG 1 layer I & II
AC 3 Decoding	○	○	○	○
AC 3 Output	SP/DIF	SP/DIF	SP/DIF	SP/DIF
Modes	Mono, Dual Mono, Stereo, Joint Stereo	Mono, Dual Mono, Stereo, Joint Stereo	Mono, Dual Mono, Stereo, Joint Stereo	Mono, Dual Mono, Stereo, Joint Stereo
Software				
Service information processing	Dynamic PMT	Dynamic PMT	Dynamic PMT	Dynamic PMT
DVB subtitles	●	●	●	●
Over air download (OTA)	DVB enhanced profile	DVB enhanced profile	DVB enhanced profile	DVB enhanced profile
Navigator	via menu	via menu	via menu	via menu
API	○	○	○	○
Last station memory	from stand-by, as TV	from stand-by, as TV	from stand-by, as TV	from stand-by, as TV
Favourite mode	4x free	4x free	4x free	4x free
Timer / Sleep timer	○	○	○	○
Clock	○	○	○	○
Volume	○	○	○	○
Mute function	●	●	●	●
Swap function	●	●	●	●
POWER SUPPLY / CABINET				
Power voltage	230V, 50Hz; in accordance to IEC 65	230V, 50Hz; in accordance to IEC 65	230V, 50Hz; in accordance to IEC 65	230V, 50Hz; in accordance to IEC 65
Range of regulation	140V - 265V	140V - 265V	140V - 265V	140V - 265V
Power switch	Tact switch	●	Tact switch	Tact switch
Integrated supply	●	●	●	●
Plug-in AC adaptor	○	○	○	○
Power consumption	85W, standby 0.38W in accordance to IEC 62087-2002	130W, standby 0.48W in accordance to IEC 62087-2002	85W, standby 0.38W in accordance to IEC 62087-2002	85W, standby 0.38W in accordance to IEC 62087-2002
Cabinet (WxHxD, cm)	76,8x50,1x4,1cm	78,9 x 51,8 x 8,1cm	76,8x50,1x4,1cm	77,0x50,1x4,3cm
Cabinet with stand (WxHxD, cm)	76,8x55,4x21,0cm	78,9 x 56,4 x 20,6	76,8x55,4x21,0cm	77,0x54,5x20,0cm
Weight	ca. 18,7kg	ca. 11,0kg	ca. 18,7kg	ca. 13,7kg
FRONT PANEL CONNECTIONS				
HDMI	○	○	○	○
Headphones	○	○	○	○
Cinch-AV socket	○	○	○	○
S-Video	○	○	○	○
REAR PANEL CONNECTIONS				
Euro-AV Socket AV1	Full wired	Full wired	Full wired	Full wired
Euro-AV Socket AV2	○	○	○	○
Euro-AV Socket AV3	○	○	○	○
S-Video	Hosiden	Hosiden	Hosiden	Hosiden
Camera-AV	3x Cinch socket in	3x Cinch socket in	3x Cinch socket in	3x Cinch socket in
Wireless	○	○	○	○
YUV input / progressive	Video-in: 3 x Cinch, Audio-in: 2 x Cinch	Video-in: 3 x Cinch, Audio-in: 2 x Cinch	Video-in: 3 x Cinch, Audio-in: 2 x Cinch	Video-in: 3 x Cinch, Audio-in: 2 x Cinch
PC-input	WXGA	WXGA	WXGA	WXGA
PC-Audio in	●	●	●	●
DVI	○	○	○	○
HDMI	4x	4x	4x	4x
HD ready including HDCP	via HDMI	via HDMI	via HDMI	via HDMI
Common Interface	1 slot	1 slot	1 slot	1 slot
Headphones	3.5mm jack	3.5mm jack	3.5mm jack	3.5mm jack
Digital Audio out coaxial (SPDIF)	●	●	●	●
Digital Audio out optical (SPDIF)	○	○	○	○
Video out	○	○	○	○
Audio out	●	●	●	●
USB	2 x USB 2.0	2 x USB 2.0	2 x USB 2.0	2 x USB 2.0
Antenna for terrestrial reception	○	1 x Coaxial-socket for TV-tuner-in, according to DIN 45325	○	○
DC-connector	○	○	○	○
Power supply plug	●	●	●	●
SUPPLIED ACCESSORIES				
Wi-Fi Dongle	○	○	○	○
Remote control (incl. battery)	TP 3 black (RC5) & Comfort Remote (YF-1)	TP 3 black (RC5) & Comfort Remote (YF-1)	TP 3 black (RC5) & Comfort Remote (YF-1)	TP 3 black (RC5) & Comfort Remote (YF-1)
Power cord	grounded	non grounded	grounded	grounded
Cables	○	○	○	○
Instruction manual	●	●	●	●
Circuit diagram	○	○	○	○
Wall fixture	Prepared for VESA standard adaptor 200 x 100	Prepared for VESA standard adaptor 200 x 200	Prepared for VESA standard adaptor 200 x 100	Prepared for VESA standard adaptor 200 x 100
Stand	swivel type glass stand	●	swivel type glass stand	swivel type glass stand
Cleaning tissue	○	●	○	●

Technische Daten / Technical Data 37"/40"

	37 VLC 9140 S	Hamburg 37 VLC 8140 S	40 VLE 811 S DL	40 VLE 6141 C
Order No.	GBJ6137	GBJ8137	GBJ8640	GBJ4140
Destination	D, A	D, A - Nordic	D, A	Nordic Countries
Approbations	CE	CE	CE	CE
IM-Languages	D,GB	D,GB,DK,N,FIN,E,SI,HR	D,GB	NO, DK, SE, FI, DE, EL, HR
IM-Languages 2	○	○	○	○
Remote control	TP 3 black (RC5)	TP3 & Comfort Remote (Black)	TP3 & Comfort Remote (Black)	TP3 & Comfort Remote (Black)
EAN	40 13833-62608 4	40 13833-62626 8	40 13833-62673 2	40 13833-62511 7
Color	Glossy black/Silver	glossy black	Glossy black	Black, silver
DISPLAY				keine Daten vorgelegen
Panel	37" / 94cm	37" / 94cm	40" / 102cm	40" / 102cm
Backlight	CCFL	CCFL	EDGE LED	EDGE LED
Wide-screen format	●	●	●	●
Response time	5ms	5ms	6ms	6ms
Brightness	500 cd/m2	500 cd/m2	450 cd/m2	450 cd/m2
Contrast ratio (Panel)	3.000:1	3.000:1	5.000:1	5.000:1
Dynamic contrast	50.000:1	50.000:1	Dynamic Contrast Plus	Dynamic Contrast Plus
Frame Refresh (frames per second)	100Hz	100Hz	100Hz	○
Viewing angle vertical/horizontal, ca. °	178° / 178°	178° / 178°	178° / 178°	178° / 178°
Physical display resolution max. pixel	WUXGA 1920 x 1080 (full HD)	WUXGA 1920 x 1080 (full HD)	WUXGA 1920 x 1080 (full HD 100Hz)	WUXGA 1920 x 1080 (full HD 100Hz)
PICTURE				
Full HD	●	●	●	●
24p	○	○	○	○
HD-TV 1080p	●	●	●	●
Line Flicker Reduction	●	●	●	●
Digital Color Transition Improv. (DCTI)	●	●	●	●
Digital Combfilter	3D	3D	3D	3D
Digital Luminance Transition Improv. (DLTI)	●	●	●	●
Picture Noise Reduction	●	●	●	●
Preset picture modes	user, vivid, natural, movie, sports	user, vivid, natural, movie, sports	user, vivid, natural, movie, sports	user, vivid, natural, movie, sports
Aspect ratios (Format switching)		Auto (WSS), 4:3 / 16:9 / 14:9 / LetterBox / Subtitle / Panorama		
Blackline detection	○	○	○	○
PIP	○	○	○	○
Multifold Tuner scan (Mosaic Picture)	○	○	○	○
PAT: Split screen (PICTURE + TEXT)	●	●	●	●
PAP: Double Window (PICTURE+PICTURE)	○	○	○	○
P²AT: Double Window + TXT	○	○	○	○
POP: PICTURE on PICTURE	○	○	○	○
Picture freezing	●	●	●	●
Zoom with point function	●	●	●	●
Auto 16:9 selection via Scart	●	●	●	●
Sharpness control	●	●	●	●
Blue Background	●	●	●	●
CHASSIS				
TV-Chassis	SX	SX	SX	SX
Progressive	○	○	○	○
Tuner	PLL frequency synthesizer tuning	PLL frequency synthesizer tuning	PLL frequency synthesizer tuning	PLL frequency synthesizer tuning
Scaler	Sapphire 3+	Sapphire 3+	Sapphire 3+	Sapphire 3+
Keyboard		7 keys: menu, ± for programme, ± for volume, source, stand-by		
ELECTRONIC				
DLNA	○	○	●	○
Stand by indicator	blue LED	blue LED	blue LED	blue LED
EPG (Electronic Programme Guide)	7 days via DVB-T and DVB-C	7 days via DVB-T and DVB-C	7 days via DVB-T and DVB-C	7 days via DVB-T and DVB-C
Easy Dialog	○	○	○	○
Megalogic	○	○	○	○
Manual & autom. labeling of prog.	●	●	●	●
Programmable off timer	●	●	●	●
Programmable on timer	●	●	●	●
Intelligent channel search (Zapping funct.)	●	●	●	●
Programme Edit	●	●	●	●
Intelligent Programme Switch	○	○	○	○
Programme memory TV/AV (opt.)	100 Analog / 400 Digital / AV	100 Analog / 400 Digital / AV	100 Analog / 400 Digital / AV	100 Analog / 400 Digital / AV
Teletext/Fasttext/Toptext	● / ● / ●	● / ● / ●	● / ● / ●	● / ● / ●
Teletext options	1000 pages	1000 pages	1000 pages	1000 pages
Childlock	●	●	●	●
Menu languages OSD		24 languages: D, GB, F, I, E, P, NL, DK, S, FIN, N, TR, GR, PL, CZ, SK, SLO, H, RUS, RO, BG, HR, LT, EE		
OSD-style	OEM-style with Grundig look	OEM-style with Grundig look	OEM-style with Grundig look	OEM-style with Grundig look
Service mode	●	●	●	●
Game mode		presets (user changeable) for sound and picture in HDMI-, Component- and PC-mode		
Hotel mode		Simple hotel mode possible via service adjustment		
Digi Link (HDMI CEC 1.3)	●	●	●	●
Special feature	○	○	○	○
TUNING				
Autom. Tuning System with country select.	full automatic sorting	full automatic sorting	full automatic sorting	full automatic sorting
Frequency Based Auto Search	●	●	●	●
Automatic Micro-search	●	●	●	●
Automatic Programming	○	○	○	○
Manual fine tuning	●	●	●	●
Direct channel selection	●	●	●	●
Direct frequency selection		For cable tuning can be done by entering the frequency (MHz) in digital search menu		
PAL/SECAM/BG/DK/L/L/L	●	●	●	●
NTSC-Playback via Scart (3,58/4,43)	●	●	●	●
Cable TV / Hyperband (S1-S41)	●	●	●	●
AUDIO				
Mono/Stereo/Nicam	● / ● / ●	● / ● / ●	● / ● / ●	● / ● / ●
AV Stereo	●	●	●	●
Loudspeaker	2 wide band at the front side	2 wide band at the front side	2 wide band at the front side	2 wide band at the front side
SRS	●	●	●	●
Dolby digital	○	○	○	○
Virtual Dolby	○	○	○	○
Magic Fidelity Sound System	○	○	○	○
Soundprojector	○	○	○	○
Matched Sound Delay (Lip synchronous)	○	○	○	○
Subwoofer	○	○	○	○
Dynamic Bass	●	●	●	●
DSP (Digital Sound Processor)	○	○	○	○
Balance Adjustment	●	●	●	●
AVL (Audio Volume Level)	●	●	●	●
PIP listening via Headphone.jack	○	○	○	○
Equalizer	5 Band	5 Band	5 Band	5 Band
Space Sound Effect	●	●	●	●
Audio mode	cinema, music, sport, speech, user	cinema, music, sport, speech, user	cinema, music, sport, speech, user	cinema, music, sport, speech, user
Audio amplifier	2 x 10/20W nominal/music power (R/L)	2 x 10/20W nominal/music power (R/L)	2 x 10/20W nominal/music power (R/L)	2 x 10/20W nominal/music power (R/L)
USB part				
Screen saver	○	○	○	○
Recording	●	●	●	●
Divx + HD	●	●	●	●
File browser	●	●	●	●
Video file resolution (max.)	1920 x 1080	1920 x 1080	1920 x 1080	1920 x 1080
Supported files		.mp3, .m4a, .aac, .jpg, .bmp, .png, .mov, .mpg, .mpe, .vob, .dat, .trp, .ts, .avi, .mp4, .mkv, H264(L4.0)		
Supported subtitles	SRT, SSA, ASS, SMI, Video SUB	SRT, SSA, ASS, SMI, Video SUB	SRT, SSA, ASS, SMI, Video SUB	SRT, SSA, ASS, SMI, Video SUB

	37 VLC 9140 S	Hamburg 37 VLC 8140 S	40 VLE 811 S DL	40 VLE 6141 C
DVB reception				
Fully compliant to	EN 300 744 & revised NorDig II spec (regarding DVB-T front end performance)			
Automatic/manual channel search	● / ● - ATS type sorting & LCN type sorting	● / ● - ATS type sorting & LCN type sorting	● / ● - ATS type sorting & LCN type sorting	● / ● - ATS type sorting & LCN type sorting
EPG (SI based)	●	●	●	●
- 8 Day Electronic Programme Guide	●	●	●	●
- now/next	●	●	●	●
- scheduled	If broadcasted	If broadcasted	If broadcasted	If broadcasted
- Extended Event Info	If broadcasted	If broadcasted	If broadcasted	If broadcasted
- Short Event Info	If broadcasted	If broadcasted	If broadcasted	If broadcasted
TV/Radio programmes	400	400	400	400
OSD languages	20 Languages: D, GB, F,I,E,NL,TR,DK,FIN,N,S,SI,PL,H,RUS,RO,HR,CZ,SK,BG,SER			
Parental control	○	○	○	○
Teletext VBI insertion	or decoding	or decoding	or decoding	or decoding
VPS - VBI insertion	PDC based	PDC based	PDC based	PDC based
Programme table	full automatic sorting	full automatic sorting	full automatic sorting	full automatic sorting
Factory station list	●	●	●	●
Embedded Conditional Access	○	○	○	○
Common Interface	●	●	●	●
CI +	○	○	○	○
Smart Card Reader	○	○	○	○
DVB-T Front end				
Tuner inputs (Hyperband)	1	1	1	1
Input frequency (MHz) / Loop through	177 - 862 VHF & UHF / ○	177 - 862 VHF & UHF / ○	177 - 862 VHF & UHF / ○	177 - 862 VHF & UHF / ○
Input level / Impedance	-80 to 20/dBm / 75 Ohm	-80 to 20/dBm / 75 Ohm	-80 to 20/dBm / 75 Ohm	-80 to 20/dBm / 75 Ohm
Modulation	COFDM 2/8 QPSK 16/64 QAM	COFDM 2/8 QPSK 16/64 QAM	COFDM 2/8 QPSK 16/64 QAM	COFDM 2/8 QPSK 16/64 QAM
FEC	1/2, 2/3, 3/4, 5/6, 7/8	1/2, 2/3, 3/4, 5/6, 7/8	1/2, 2/3, 3/4, 5/6, 7/8	1/2, 2/3, 3/4, 5/6, 7/8
Hierarchical modulation	Hierarchical - non hierarchical	Hierarchical - non hierarchical	Hierarchical - non hierarchical	Hierarchical - non hierarchical
DVB-S2 Front end				
Input frequency range	950 MHz to 2150 MHz	950 MHz to 2150 MHz	950 MHz to 2150 MHz	○
Signal level	-25 to -80 dBm (Only for DVB-S) -25 to -70 dBm (Only for DVB-S2)			
Demodulation	QPSK, 8PSK	QPSK, 8PSK	QPSK, 8PSK	○
Input symbol rate	1 - 45 Msps for DVB-S, 5 - 30 Msps for DVB-S2			
DiseqC 1.2 support	●	●	●	○
LNB power & Polarization	13/18V Selection Horizontal / Vertical - 22KHz generation - Overload Protection			
FEC MODE	Auto - QPSK-S: 1/2, 2/3, 3/4, 3/5, 5/6, 8/9, 9/10 - QPSK-S2: 1/2, 2/3, 3/4, 3/5, 4/5, 5/6, 8/9, 9/10 - 8PSK: 2/3, 3/4, 3/5, 5/6, 8/9, 9/10			
DVB-C Front end				
Input frequency (MHz)	47 - 862 VHF & UHF	47 - 862 VHF & UHF	47 - 862 VHF & UHF	47 - 862 VHF & UHF
Input level / Impedance	47 - 70 dBuV / 75 Ohm	47 - 70 dBuV / 75 Ohm	47 - 70 dBuV / 75 Ohm	47 - 70 dBuV / 75 Ohm
Demodulation / Symbol rate Ms/s	QAM 16/32/64/128/256 demodulation support (EN 300 429) 4.0...7.2 Msymbols/s			
Video Decoder				
MPEG profiles	MP@ML, MP@HL, MPEG4 AVC H.264 HP@L4.0			
Resolution	576i, 576p, 720p, 1080i, 1080p	576i, 576p, 720p, 1080i, 1080p	576i, 576p, 720p, 1080i, 1080p	576i, 576p, 720p, 1080i, 1080p
OSD colors	Fitting to TV-OSD	Fitting to TV-OSD	Fitting to TV-OSD	Fitting to TV-OSD
Picture formats	4:3, 16:9, pan scan, letter box	4:3, 16:9, pan scan, letter box	4:3, 16:9, pan scan, letter box	4:3, 16:9, pan scan, letter box
Audio Decoder				
Profiles	MPEG4, MPEG 1 layer I & II	MPEG4, MPEG 1 layer I & II	MPEG4, MPEG 1 layer I & II	MPEG4, MPEG 1 layer I & II
AC 3 Decoding	○	○	○	○
AC 3 Output	SP/DIF	SP/DIF	SP/DIF	SP/DIF
Modes	Mono, Dual Mono, Stereo, Joint Stereo	Mono, Dual Mono, Stereo, Joint Stereo	Mono, Dual Mono, Stereo, Joint Stereo	Mono, Dual Mono, Stereo, Joint Stereo
Software				
Service information processing	Dynamic PMT	Dynamic PMT	Dynamic PMT	Dynamic PMT
DVB subtitles	●	●	●	●
Over air download (OTA)	DVB enhanced profile	DVB enhanced profile	DVB enhanced profile	DVB enhanced profile
Navigator	via menu	via menu	via menu	via menu
API	○	○	○	○
Last station memory	from stand-by, as TV	from stand-by, as TV	from stand-by, as TV	from stand-by, as TV
Favourite mode	4x free	4x free	4x free	4x free
Timer / Sleep timer	○	○	○	○
Clock	○	○	○	○
Volume	○	○	○	○
Mute function	●	●	●	●
Swap function	●	●	●	●
POWER SUPPLY / CABINET				
Power voltage	230V, 50Hz; in accordance to IEC 65	230V, 50Hz; in accordance to IEC 65	230V, 50Hz; in accordance to IEC 65	230V, 50Hz; in accordance to IEC 65
Range of regulation	140V - 265V	140V - 265V	140V - 265V	140V - 265V
Power switch	●	●	Tact switch	Tact switch
Integrated supply	●	●	○	○
Plug-in AC adaptor	○	○	○	○
Power consumption	170W standby 0.48W in accordance to IEC 62087-2002	170W standby 0.48W in accordance to IEC 62087-2002	107W, standby 0.38W in accordance to IEC 62087-2002	107W, standby 0.38W in accordance to IEC 62087-2002
Cabinet (WxHxD, cm)	91,2 x 61,9 x 8,9cm	91,2 x 61,9 x 8,9cm	96,9x61,8x4,3cm	96,9x61,8x4,3cm
Cabinet with stand (WxHxD, cm)	91,2 x 66,3 x 25,0cm	91,2 x 66,3 x 25,0cm	96,9x67,0x22,4cm	96,9x67,0x22,4cm
Weight	ca. 22kg	ca. 22kg	ca. 22,0kg	ca. 22,0kg
FRONT PANEL CONNECTIONS				
HDMI	○	○	○	○
Headphones	○	○	○	○
Cinch-AV socket	○	○	○	○
S-Video	○	○	○	○
REAR PANEL CONNECTIONS				
Euro-AV Socket AV1	Full wired	Full wired	Full wired	Full wired
Euro-AV Socket AV2	○	○	○	○
Euro-AV Socket AV3	○	○	○	○
S-Video	Hosiden	Hosiden	Hosiden	Hosiden
Camera-AV	3x Cinch socket in	3x Cinch socket in	3x Cinch socket in	3x Cinch socket in
Wireless	○	○	○	○
YUV input / progressive	Video-in: 3 x Cinch, Audio-in: 2 x Cinch	Video-in: 3 x Cinch, Audio-in: 2 x Cinch	Video-in: 3 x Cinch, Audio-in: 2 x Cinch	Video-in: 3 x Cinch, Audio-in: 2 x Cinch
PC-input	WXGA	WXGA	WXGA	WXGA
PC-Audio in	●	●	●	●
DVI	○	○	○	○
HDMI	4x	4x	4x	3x
HD ready including HDCP	via HDMI	via HDMI	via HDMI	via HDMI
Common Interface	1 slot	1 slot	1 slot	1 slot
Headphones	3.5mm jack	3.5mm jack	3.5mm jack	3.5mm jack
Digital Audio out coaxial (SPDIF)	●	●	●	●
Digital Audio out optical (SPDIF)	○	○	○	○
Video out	○	○	○	○
Audio out	●	●	●	●
USB	2 x USB 2.0	2 x USB 2.0	2 x USB 2.0	2 x USB 2.0
Antenna for terrestrial reception	○	1 x Coaxial-socket for TV-tuner-in, according to DIN 45325	○	○
DC-connector	○	○	○	○
Power supply plug	●	●	●	●
SUPPLIED ACCESSORIES				
Wi-Fi Dongle	○	○	●	○
Remote control (incl. battery)	TP3 (RC5) incl. 3x Battery AAA size	3 incl. 2x Battery AAA size & Comfort Remote	TP 3 black (RC5) & Comfort Remote (YF-1)	TP 3 black (RC5) & Comfort Remote (YF-1)
Power cord	non grounded	non grounded	grounded	grounded
Cables	○	○	○	○
Instruction manual	●	●	●	●
Circuit diagram	○	○	○	○
Wall fixture	Prepared for VESA standard adaptor 200 x 200	○	Prepared for VESA MIS-F 400 x 400	○
Stand	●	swivel type	swivel type	swivel type glass stand
Cleaning tissue	●	●	●	●

Technische Daten / Technical Data 37"/40"

	40 VLE 7140 C	40 VLE 7150 C	40 VLE 7160 C	40 VLE 8140 S DL	40 VLE 8141 S DL
Order No.	GBJ5140	GBJ5440	GBJ5340	GBJ8040	GBJ8140
Destination	D, A, Nordic	D, A	D, A	D, A - Nordic Countries	Nordic Countries
Approbations	CE	CE	CE	CE	CE
IM-Languages	D,GB	D,GB	D,GB	D,GB	D,GB
IM-Languages 2	SE, NO, FI, DK, DE, HR, EL	○	○	NO, SE, DK, FI, DE, EL, HR	NO, SE, DK, FI, DE, EL, HR
Remote control	TP 3 black (RC5)	TP 3 black (RC5)	TP 3 black (RC5)	TP3 & Comfort Remote (White)	TP3 & Comfort Remote (Black)
EAN	40 13833-62491 2	40 13833-62576 6	40 13833-62573 5	40 13833-62494 3	40 13833-62564 3
Color	Glossy Black	Glossy White	Glossy Black	Silver	chrome & anthracite
DISPLAY					
Panel	40" / 102cm	40" / 102cm	40" / 102cm	40" / 102cm	40" / 102cm
Backlight	EDGE LED	EDGE LED	EDGE LED	EDGE LED	EDGE LED
Wide-screen format	●	●	●	●	●
Response time	6ms	6ms	6ms	6ms	6ms
Brightness	450 cd/m2	450 cd/m2	450 cd/m2	450 cd/m2	450 cd/m2
Contrast ratio (Panel)	5.000:1	5.000:1	5.000:1	5.000:1	5.000:1
Dynamic contrast	Dynamic Contrast Plus	Dynamic Contrast Plus	Dynamic Contrast Plus	Dynamic Contrast Plus	Dynamic Contrast Plus
Frame Refresh (frames per second)	100Hz	100Hz	100Hz	100Hz	100Hz
Viewing angle vertical/horizontal, ca. °	178° / 178°	178° / 178°	178° / 178°	178° / 178°	178° / 178°
Physical display resolution max. pixel	WUXGA 1920 x 1080 (full HD 100Hz)	WUXGA 1920 x 1080 (full HD 100Hz)	WUXGA 1920 x 1080 (full HD 100Hz)	WUXGA 1920 x 1080 (full HD 100Hz)	WUXGA 1920 x 1080 (full HD 100Hz)
PICTURE					
Full HD	●	●	●	●	●
24p	○	○	○	○	○
HD-TV 1080p	●	●	●	●	●
Line Flicker Reduction	●	●	●	●	●
Digital Color Transition Improv. (DCTI)	●	●	●	●	●
Digital Combfilter	3D	3D	3D	3D	3D
Digital Luminance Transition Improv. (DLTI)	●	●	●	●	●
Picture Noise Reduction	●	●	●	●	●
Preset picture modes	user, vivid, natural, movie, sports	user, vivid, natural, movie, sports	user, vivid, natural, movie, sports	user, vivid, natural, movie, sports	user, vivid, natural, movie, sports
Aspect ratios (Format switching)	Auto (WSS), 4:3 / 16:9 / 14:9 / LetterBox / Subtitle / Panorama				
Blackline detection	○	○	○	○	○
PIP	○	○	○	○	○
Multifold Tuner scan (Mosaic Picture)	○	○	○	○	○
PAT: Split screen (PICTURE + TEXT)	○	○	○	○	○
PAP: Double Window (PICTURE+PICTURE)	○	○	○	○	○
P²AT: Double Window + TXT	○	○	○	○	○
POP: PICTURE on PICTURE	○	○	○	○	○
Picture freezing	●	●	●	●	●
Zoom with point function	●	●	●	●	●
Auto 16:9 selection via Scart	●	●	●	●	●
Sharpness control	●	●	●	●	●
Blue Background	●	●	●	●	●
CHASSIS					
TV-Chassis	SX	SX	SX	SX	SX
Progressive	○	○	○	○	○
Tuner	PLL frequency synthesizer tuning	PLL frequency synthesizer tuning	PLL frequency synthesizer tuning	PLL frequency synthesizer tuning	PLL frequency synthesizer tuning
Scaler	Sapphire 3+	Sapphire 3+	Sapphire 3+	Sapphire 1+	Sapphire 1+
Keyboard	7 keys: menu, ± for programme, ± for volume, source, stand-by				
ELECTRONIC					
DLNA	●	●	●	●	●
Stand by indicator	blue LED	blue LED	blue LED	blue LED	blue LED
EPG (Electronic Programme Guide)	7 days via DVB-T and DVB-C	7 days via DVB-T and DVB-C	7 days via DVB-T and DVB-C	7 days via DVB-T and DVB-C	7 days via DVB-T and DVB-C
Easy Dialog	○	○	○	○	○
Megalogic	○	○	○	○	○
Manual & autom. labeling of prog.	○	○	○	○	○
Programmable off timer	●	●	●	●	●
Programmable on timer	●	●	●	●	●
Intelligent channel search (Zapping funct.)	●	●	●	●	●
Programme Edit	●	●	●	●	●
Intelligent Programme Switch	○	○	○	○	○
Programme memory TV/AV (opt.)	100 Analog / 400 Digital / AV	100 Analog / 400 Digital / AV	100 Analog / 400 Digital / AV	100 Analog / 400 Digital / AV	100 Analog / 400 Digital / AV
Teletext/Fasttext/Toptext	● / ● / ●	● / ● / ●	● / ● / ●	● / ● / ●	● / ● / ●
Teletext options	1000 pages	1000 pages	1000 pages	1000 pages	1000 pages
Childlock	●	●	●	●	●
Menu languages OSD	24 languages, D, GB, F, I, E, P, NL, DK, S, FIN, N, TR, GR, PL, CZ, SK, SLO, H, RUS, RO, BG, HR, LT, EE				
OSD-style	OEM-style with Grundig look	OEM-style with Grundig look	OEM-style with Grundig look	OEM-style with Grundig look	OEM-style with Grundig look
Service mode	●	●	●	●	●
Game mode	presets (user changeable) for sound and picture in HDMI-, Component- and PC-mode				
Hotel mode	Simple hotel mode possible via service adjustment				
Digi Link (HDMI CEC 1.3)	●	●	●	●	●
Special feature	○	○	○	○	○
TUNING					
Autom. Tuning System with country select.	full automatic sorting	full automatic sorting	full automatic sorting	full automatic sorting	full automatic sorting
Frequency Based Auto Search	●	●	●	●	●
Automatic Micro-search	●	●	●	●	●
Automatic Programming	○	○	○	○	○
Manual fine tuning	●	●	●	●	●
Direct channel selection	●	●	●	●	●
Direct frequency selection	For cable tuning can be done by entering the frequency (MHz) in digital search menu				
PAL/SECAM/BG/DK/L/L/L	●	●	●	●	●
NTSC-Playback via Scart (3,58/4,43)	●	●	●	●	●
Cable TV / Hyperband (S1-S41)	●	●	●	●	●
AUDIO					
Mono/Stereo/Nicam	● / ● / ●	● / ● / ●	● / ● / ●	● / ● / ●	● / ● / ●
AV Stereo	●	●	●	●	●
Loudspeaker	2 wide band at the front side	2 wide band at the front side	2 wide band at the front side	2 wide band at the front side	2 wide band at the front side
SRS	●	●	●	●	●
Dolby digital	○	○	○	○	○
Virtual Dolby	○	○	○	○	○
Magic Fidelity Sound System	○	○	○	○	○
Soundprojector	○	○	○	○	○
Matched Sound Delay (Lip synchronous)	○	○	○	○	○
Subwoofer	○	○	○	○	○
Dynamic Bass	●	●	●	●	●
DSP (Digital Sound Processor)	○	○	○	○	○
Balance Adjustment	●	●	●	●	●
AVL (Audio Volume Level)	○	○	○	○	○
PIP listening via Headphone.jack	○	○	○	○	○
Equalizer	5 Band	5 Band	5 Band	5 Band	5 Band
Space Sound Effect	●	●	●	●	●
Audio mode	cinema, music, sport, speech, user	cinema, music, sport, speech, user	cinema, music, sport, speech, user	cinema, music, sport, speech, user	cinema, music, sport, speech, user
Audio amplifier	2 x 10/20W nominal/music power (R/L)				
USB part					
Screen saver	○	○	○	○	○
Recording	●	●	●	●	●
Dvix + HD	●	●	●	●	●
File browser	●	●	●	●	●
Video file resolution (max.)	1920 x 1080	1920 x 1080	1920 x 1080	1920 x 1080	1920 x 1080
Supported files	.mp3, .m4a, .aac, .jpg, .bmp, .png, .mov, .mpg, .mpe, .vob, .dat, .trp, .ts, .avi, .mp4, .mkv, H264(L4.0)				
Supported subtitles	SRT, SSA, ASS, SMI, Video SUB	SRT, SSA, ASS, SMI, Video SUB	SRT, SSA, ASS, SMI, Video SUB	SRT, SSA, ASS, SMI, Video SUB	SRT, SSA, ASS, SMI, Video SUB

	40 VLE 7140 C	40 VLE 7150 C	40 VLE 7160 C	40 VLE 8140 S DL	40 VLE 8141 S DL
DVB reception					
Fully compliant to	EN 300 744 & revised NorDig II spec (regarding DVB-T front end performance)				
Automatic/manual channel search	● / ● - ATS type sorting & LCN type sorting				
EPG (SI based)	●	●	●	●	●
- 8 Day Electronic Programme Guide	●	●	●	●	●
- now/next	●	●	●	●	●
- scheduled	If broadcasted	If broadcasted	If broadcasted	If broadcasted	If broadcasted
- Extended Event Info	If broadcasted	If broadcasted	If broadcasted	If broadcasted	If broadcasted
- Short Event Info	If broadcasted	If broadcasted	If broadcasted	If broadcasted	If broadcasted
TV/Radio programmes	400	400	400	400	400
OSD languages	20 Languages: D, GB, F,I,E,NL,TR,DK,FIN,N,S,SI,PL,H,RUS,RO,HR,CZ,SK,BG,SER				
Parental control	○	○	○	○	○
Teletext VBI insertion	or decoding	or decoding	or decoding	or decoding	or decoding
VPS - VBI insertion	PDC based	PDC based	PDC based	PDC based	PDC based
Programme table	full automatic sorting	full automatic sorting	full automatic sorting	full automatic sorting	full automatic sorting
Factory station list	●	●	●	●	●
Embedded Conditional Access	○	○	○	○	○
Common Interface	●	●	●	●	●
Ci +	●	●	●	●	●
Smart Card Reader	○	○	○	○	○
DVB-T Front end					
Tuner inputs (Hyperband)	1	1	1	1	1
Input frequency (MHz) / Loop through	177 - 862 VHF & UHF / ○	177 - 862 VHF & UHF / ○	177 - 862 VHF & UHF / ○	177 - 862 VHF & UHF / ○	177 - 862 VHF & UHF / ○
Input level / Impedance	-80 to 20/dBm / 75 Ohm	-80 to 20/dBm / 75 Ohm	-80 to 20/dBm / 75 Ohm	-80 to 20/dBm / 75 Ohm	-80 to 20/dBm / 75 Ohm
Modulation	COFDM 2/8 QPSK 16/64 QAM	COFDM 2/8 QPSK 16/64 QAM	COFDM 2/8 QPSK 16/64 QAM	COFDM 2/8 QPSK 16/64 QAM	COFDM 2/8 QPSK 16/64 QAM
FEC	1/2, 2/3, 3/4, 5/6, 7/8	1/2, 2/3, 3/4, 5/6, 7/8	1/2, 2/3, 3/4, 5/6, 7/8	1/2, 2/3, 3/4, 5/6, 7/8	1/2, 2/3, 3/4, 5/6, 7/8
Hierarchical modulation	Hierarchical - non hierarchical	Hierarchical - non hierarchical	Hierarchical - non hierarchical	Hierarchical - non hierarchical	Hierarchical - non hierarchical
DVB-S2 Front end					
Input frequency range	○	○	○	950 MHz to 2150 MHz	950 MHz to 2150 MHz
Signal level	○	○	○	-25 to -80 dBm (Only for DVB-S)	-25 to -70 dBm (Only for DVB-S2)
Demodulation	○	○	○	QPSK, 8PSK	QPSK, 8PSK
Input symbol rate	○	○	○	1 - 45 Msps for DVB-S, 5 - 30 Msps for DVB-S2	○
DiseqC 1.2 support	○	○	○	○	○
LNB power & Polarization	○	○	○	13/18V Selection Horizontal / Vertical 22KHz generation - Overload Protection	○
FEC MODE	○	○	○	Auto - QPSK-S: 1/2, 2/3, 3/4, 3/5, 5/6, 8/9, 9/10 - QPSK-S2: 1/2, 2/3, 3/4, 3/5, 4/5, 5/6, 8/9, 9/10 - 8PSK: 2/3, 3/4, 3/5, 5/6, 8/9, 9/10	○
DVB-C Front end					
Input frequency (MHz)	47 - 862 VHF & UHF	47 - 862 VHF & UHF	47 - 862 VHF & UHF	47 - 862 VHF & UHF	47 - 862 VHF & UHF
Input level / Impedance	47 - 70 dbµV / 75 Ohm	47 - 70 dbµV / 75 Ohm	47 - 70 dbµV / 75 Ohm	47 - 70 dbµV / 75 Ohm	47 - 70 dbµV / 75 Ohm
Demodulation / Symbol rate Ms/s	QAM 16/32/64/128/256 demodulation support (EN 300 429) 4,0...7,2 Msymbols/s				
Video Decoder					
MPEG profiles	MP@ML, MP@HL, MPEG4 AVC H.264 HP@L4.0				
Resolution	576i, 576p, 720p, 1080i, 1080p	576i, 576p, 720p, 1080i, 1080p	576i, 576p, 720p, 1080i, 1080p	576i, 576p, 720p, 1080i, 1080p	576i, 576p, 720p, 1080i, 1080p
OSD colors	Fitting to TV-OSD	Fitting to TV-OSD	Fitting to TV-OSD	Fitting to TV-OSD	Fitting to TV-OSD
Picture formats	4:3, 16:9, pan scan, letter box	4:3, 16:9, pan scan, letter box	4:3, 16:9, pan scan, letter box	4:3, 16:9, pan scan, letter box	4:3, 16:9, pan scan, letter box
Audio Decoder					
Profiles	MPEG4, MPEG 1 layer I & II	MPEG4, MPEG 1 layer I & II	MPEG4, MPEG 1 layer I & II	MPEG4, MPEG 1 layer I & II	MPEG4, MPEG 1 layer I & II
AC 3 Decoding	○	○	○	○	○
AC 3 Output	SP/DIF	SP/DIF	SP/DIF	SP/DIF	SP/DIF
Modes	Mono, Dual Mono, Stereo, Joint Stereo				
Software					
Service information processing	Dynamic PMT	Dynamic PMT	Dynamic PMT	Dynamic PMT	Dynamic PMT
DVB subtitles	●	●	●	●	●
Over air download (OTA)	DVB enhanced profile	DVB enhanced profile	DVB enhanced profile	DVB enhanced profile	DVB enhanced profile
Navigator	via menu	via menu	via menu	via menu	via menu
API	○	○	○	○	○
Last station memory	from stand-by, as TV	from stand-by, as TV	from stand-by, as TV	from stand-by, as TV	from stand-by, as TV
Favourite mode	4x free	4x free	4x free	4x free	4x free
Timer / Sleep timer	○	○	○	○	○
Clock	○	○	○	○	○
Volume	○	○	○	○	○
Mute function	●	●	●	●	●
Swap function	●	●	●	●	●
POWER SUPPLY / CABINET					
Power voltage	230V, 50Hz; in accordance to IEC 65	230V, 50Hz; in accordance to IEC 65	230V, 50Hz; in accordance to IEC 65	230V, 50Hz; in accordance to IEC 65	230V, 50Hz; in accordance to IEC 65
Range of regulation	140V - 265V	140V - 265V	140V - 265V	140V - 265V	140V - 265V
Power switch	Tact switch	Tact switch	Tact switch	Tact switch	Tact switch
Integrated supply	●	●	●	●	●
Plug-in AC adaptor	○	○	○	○	○
Power consumption	107W, standby 0.38W in accordance to IEC 62087-2002	107W, standby 0.38W in accordance to IEC 62087-2002	107W, standby 0.38W in accordance to IEC 62087-2002	107W, standby 0.38W in accordance to IEC 62087-2002	107W, standby 0.38W in accordance to IEC 62087-2002
Cabinet (WxHxD, cm)	96,9x61,8x4,3cm	96,9x61,8x4,3cm	96,9x61,8x4,3cm	96,9x61,8x4,3cm	96,9x61,8x4,3cm
Cabinet with stand (WxHxD, cm)	96,9x67,0x22,4cm	96,9x67,0x22,4cm	96,9x67,0x22,4cm	96,9x67,0x22,4cm	96,9x67,0x22,4cm
Weight	ca. 22,0kg	ca. 22,0kg	ca. 22,0kg	ca. 22,0kg	ca. 22,0kg
FRONT PANEL CONNECTIONS					
HDMI	○	○	○	○	○
Headphones	○	○	○	○	○
Cinch-AV socket	○	○	○	○	○
S-Video	○	○	○	○	○
REAR PANEL CONNECTIONS					
Euro-AV Socket AV1	Full wired	Full wired	Full wired	Full wired	Full wired
Euro-AV Socket AV2	○	○	○	○	○
Euro-AV Socket AV3	○	○	○	○	○
S-Video	Hosiden	Hosiden	Hosiden	Hosiden	Hosiden
Camera-AV	3x Cinch socket in	3x Cinch socket in	3x Cinch socket in	3x Cinch socket in	3x Cinch socket in
Wireless	○	○	○	○	○
YUV input / progressive			Video-in: 3 x Cinch, Audio-in: 2 x Cinch		
PC-input	WXGA	WXGA	WXGA	WXGA	WXGA
PC-Audio in	●	●	●	●	●
DVI	○	○	○	○	○
HDMI	4x	4x	4x	4x	4x
HD ready including HDCP	via HDMI	via HDMI	via HDMI	via HDMI	via HDMI
Common Interface	1 slot	1 slot	1 slot	1 slot	1 slot
Headphones	3.5mm jack	3.5mm jack	3.5mm jack	3.5mm jack	3.5mm jack
Digital Audio out coaxial (SPDIF)	●	●	●	●	●
Digital Audio out optical (SPDIF)	●	●	●	●	●
Video out	○	○	○	○	○
Audio out	●	●	●	●	●
USB	2 x USB 2.0	2 x USB 2.0	2 x USB 2.0	2 x USB 2.0	2 x USB 2.0
Antenna for terrestrial reception			1 x Coaxial-socket for TV-tuner-in, according to DIN 45325		
DC-connector	○	○	○	○	○
Power supply plug	●	●	●	●	●
SUPPLIED ACCESSORIES					
Wi-Fi Dongle	○	○	○	○	○
Remote control (incl. battery)	TP 3 black (RC5) & Comfort Remote (YF-1)				
Power cord	grounded	grounded	grounded	grounded	grounded
Cables	○	○	○	○	○
Instruction manual	●	●	●	●	●
Circuit diagram	○	○	○	○	○
Wall fixture	Prepared for VESA MIS-F 400 x 400	Prepared for VESA MIS-F 400 x 400	Prepared for VESA MIS-F 400 x 400	Prepared for VESA MIS-F 400 x 400	Prepared for VESA MIS-F 400 x 400
Stand	swivel type glass stand	swivel type	swivel type	swivel type glass stand	swivel type glass stand
Cleaning tissue	●	●	●	●	●

Technische Daten / Technical Data 37"/40"

	40 VLE 8142 S DL	40 VLE 8180 S	Fine Arts 40 S DL	Rom 40 VLE 8162 S DL	Rom 40 VLE 8163 S DL
Order No.	GBJ8340	GBJ8240	GBJ7440/GBJ7540	GBJ9440	GBJ9340
Destination	Nordic Countries	D, A	Nordic Countries	D, A	Nordic Countries
Approbations	CE	CE	CE	CE	CE
IM-Languages	NO, DK, SE, FI, DE, EL, HR	D,GB	NO, SE, DK, FI, DE, EL, HR	D,GB	SE, NO, FI, DK, DE, EL, HR
IM-Languages 2	○	○	○	○	○
Remote control	TP3 & Comfort Remote (Black)	TP3 & Comfort Remote (Black)	TP3 & Comfort Remote (White)	TP3 & Comfort Remote (Black)	TP3 & Comfort Remote (Black)
EAN	40 13833-62594 0	40 13833-62571 1	40 13833-62603 9/-62603 9	40 13833-62488 2	40 13833-62503 2
Color	Black, silver	Glossy black/Silver	Silver/ Black	Glossy Black & Silver	Glossy Black
DISPLAY	keine Daten vorgelegen				
Panel	40" / 102cm	40" / 102cm	40" / 102cm	40" / 102cm	40" / 102cm
Backlight	EDGE LED	EDGE LED	EDGE LED	EDGE LED	EDGE LED
Wide-screen format	●	●	●	●	●
Response time	6ms	6ms	6ms	6ms	6ms
Brightness	450 cd/m2	450 cd/m2	450 cd/m2	450 cd/m2	450 cd/m2
Contrast ratio (Panel)	5.000:1	5.000:1	5.000:1	5.000:1	5.000:1
Dynamic contrast	Dynamic Contrast Plus	Dynamic Contrast Plus	1.000.000:1	45.000:1	45.000:1
Frame Refresh (frames per second)	100Hz	100Hz	100Hz	100Hz	100Hz
Viewing angle vertical/horizontal, ca. °	178° / 178°	178° / 178°	178° / 178°	178° / 178°	178° / 178°
Physical display resolution max. pixel	WUXGA 1920 x 1080 (full HD 100Hz)	WUXGA 1920 x 1080 (full HD 100Hz)	WUXGA 1920 x 1080 (full HD 100Hz)	WUXGA 1920 x 1080 (full HD 100Hz)	WUXGA 1920 x 1080 (full HD 100Hz)
PICTURE					
Full HD	●	●	●	●	●
24p	○	○	○	○	○
HD-TV 1080p	●	●	●	●	●
Line Flicker Reduction	●	●	●	●	●
Digital Color Transition Improv. (DCTI)	●	●	●	●	●
Digital Combfilter	3D	3D	3D	3D	3D
Digital Luminance Transition Improv. (DLTI)	●	●	●	●	●
Picture Noise Reduction	●	●	●	●	●
Preset picture modes	user, vivid, natural, movie, sports	user, vivid, natural, movie, sports	user, vivid, natural, movie, sports	user, vivid, natural, movie, sports	user, vivid, natural, movie, sports
Aspect ratios (Format switching)	Auto (WSS), 4:3 / 16:9 / 14:9 / LetterBox / Subtitle / Panorama				
Blackline detection	○	○	○	○	○
PIP	○	○	○	○	○
Multifold Tuner scan (Mosaic Picture)	○	○	○	○	○
PAT: Split screen (PICTURE + TEXT)	○	○	○	○	○
PAP: Double Window (PICTURE+PICTURE)	○	○	○	○	○
P²AT: Double Window + TXT	○	○	○	○	○
POP: PICTURE on PICTURE	○	○	○	○	○
Picture freezing	●	●	●	●	●
Zoom with point function	●	●	●	●	●
Auto 16:9 selection via Scart	●	●	●	●	●
Sharpness control	●	●	●	●	●
Blue Background	●	●	●	●	●
CHASSIS					
TV-Chassis	SX	SX	SX	SX	SX
Progressive	○	○	○	○	○
Tuner	PLL frequency synthesizer tuning	PLL frequency synthesizer tuning	PLL frequency synthesizer tuning	PLL frequency synthesizer tuning	PLL frequency synthesizer tuning
Scaler	Sapphire 1+	Sapphire 1+	Sapphire 3+	Sapphire 3+	Sapphire 3+
Keyboard	7 keys: menu, ± for programme, ± for volume, source, stand-by				
ELECTRONIC					
DLNA	●	●	●	●	●
Stand by indicator	blue LED	blue LED	blue LED	blue LED	blue LED
EPG (Electronic Programme Guide)	7 days via DVB-T and DVB-C	7 days via DVB-T and DVB-C	7 days via DVB-T and DVB-C	7 days via DVB-T and DVB-C	7 days via DVB-T and DVB-C
Easy Dialog	○	○	○	○	○
Megalogic	○	○	○	○	○
Manual & autom. labeling of prog.	○	○	○	○	○
Programmable off timer	●	●	●	●	●
Programmable on timer	●	●	●	●	●
Intelligent channel search (Zapping funct.)	●	●	●	●	●
Programme Edit	●	●	●	●	●
Intelligent Programme Switch	○	○	○	○	○
Programme memory TV/AV (opt.)	100 Analog / 400 Digital / AV	100 Analog / 400 Digital / AV	100 Analog / 400 Digital / AV	100 Analog / 400 Digital / AV	100 Analog / 400 Digital / AV
Teletext/Fasttext/Toptext	● / ● / ●	● / ● / ●	● / ● / ●	● / ● / ●	● / ● / ●
Teletext options	1000 pages	1000 pages	1000 pages	1000 pages	1000 pages
Childlock	●	●	●	●	●
Menu languages OSD	24 languages, D, GB, F, I, E, P, NL, DK, S, FIN, N, TR, GR, PL, CZ, SK, SLO, H, RUS, RO, BG, HR, LT, EE				
OSD-style	OEM-style with Grundig look	OEM-style with Grundig look	OEM-style with Grundig look	OEM-style with Grundig look	OEM-style with Grundig look
Service mode	●	●	●	●	●
Game mode	presets (user changeable) for sound and picture in HDMI-, Component- and PC-mode				
Hotel mode	Simple hotel mode possible via service adjustment				
Digi Link (HDMI CEC 1.3)	●	●	●	●	●
Special feature	○	○	○	○	○
TUNING					
Autom. Tuning System with country select.	full automatic sorting	full automatic sorting	full automatic sorting	full automatic sorting	full automatic sorting
Frequency Based Auto Search	●	●	●	●	●
Automatic Micro-search	●	●	●	●	●
Automatic Programming	○	○	○	○	○
Manual fine tuning	●	●	●	●	●
Direct channel selection	●	●	●	●	●
Direct frequency selection	For cable tuning can be done by entering the frequency (MHz) in digital search menu				
PAL/SECAM/BG/DK/L/L/L	●	●	●	●	●
NTSC-Playback via Scart (3,58/4,43)	●	●	●	●	●
Cable TV / Hyperband (S1-S41)	●	●	●	●	●
AUDIO					
Mono/Stereo/Nicam	● / ● / ●	● / ● / ●	● / ● / ●	● / ● / ●	● / ● / ●
AV Stereo	●	●	●	●	●
Loudspeaker	2 wide band at the front side	2 wide band at the front side	2 wide band at the front side	2 wide band at the front side	2 wide band at the front side
SRS	●	●	●	●	●
Dolby digital	○	○	○	○	○
Virtual Dolby	○	○	○	○	○
Magic Fidelity Sound System	○	○	○	○	○
Soundprojector	○	○	○	○	○
Matched Sound Delay (Lip synchronous)	○	○	○	○	○
Subwoofer	○	○	○	○	○
Dynamic Bass	●	●	●	●	●
DSP (Digital Sound Processor)	○	○	○	○	○
Balance Adjustment	●	●	●	●	●
AVL (Audio Volume Level)	●	●	●	●	●
PIP listening via Headphone.jack	○	○	○	○	○
Equalizer	5 Band	5 Band	5 Band	5 Band	5 Band
Space Sound Effect	●	●	●	●	●
Audio mode	cinema, music, sport, speech, user	cinema, music, sport, speech, user	cinema, music, sport, speech, user	cinema, music, sport, speech, user	cinema, music, sport, speech, user
Audio amplifier	2 x 10/20W nominal/music power (R/L)				
USB part					
Screen saver	○	○	○	○	○
Recording	●	●	●	●	●
Divx + HD	●	●	○	●	●
File browser	●	●	●	●	●
Video file resolution (max.)	1920 x 1080	1920 x 1080	1920 x 1080	1920 x 1080	1920 x 1080
Supported files	.mp3, .m4a, .aac, .jpg, .bmp, .png, .mov, .mpg, .mpe, .vob, .dat, .trp, .ts, .avi, .mp4, .mkv, H264(L4.0)				
Supported subtitles	SRT, SSA, ASS, SMI, Video SUB	SRT, SSA, ASS, SMI, Video SUB	SRT, SSA, ASS, SMI, Video SUB	SRT, SSA, ASS, SMI, Video SUB	SRT, SSA, ASS, SMI, Video SUB

	40 VLE 8142 S DL	40 VLE 8180 S	Fine Arts 40 S DL	Rom 40 VLE 8162 S DL	Rom 40 VLE 8163 S DL
DVB reception	EN 300 744 & revised NorDig II spec (regarding DVB-T front end performance)				
Fully compliant to	● / ● - ATS type sorting & LCN type sorting				
Automatic/manual channel search	● / ● - ATS type sorting & LCN type sorting				
EPG (SI based)	●	●	●	●	●
- 8 Day Electronic Programme Guide	●	●	●	●	●
- now/next	●	●	●	●	●
- scheduled	If broadcasted	If broadcasted	If broadcasted	If broadcasted	If broadcasted
- Extended Event Info	If broadcasted	If broadcasted	If broadcasted	If broadcasted	If broadcasted
- Short Event Info	If broadcasted	If broadcasted	If broadcasted	If broadcasted	If broadcasted
TV/Radio programmes	400	400	400	400	400
OSD languages	:I,E,NL,TR,DK,FIN,N,S,SI,PL,H,RUS,RO,HR,CZ,SK,BG,SER				
Parental control	○	○	○	○	○
Teletext VBI insertion	or decoding	or decoding	or decoding	or decoding	or decoding
VPS - VBI insertion	PDC based	PDC based	PDC based	PDC based	PDC based
Programme table	full automatic sorting	full automatic sorting	full automatic sorting	full automatic sorting	full automatic sorting
Factory station list	●	●	●	●	●
Embedded Conditional Access	○	○	○	○	○
Common Interface	●	●	●	●	●
CI +	●	●	●	○	○
Smart Card Reader	○	○	○	○	○
DVB-T Front end					
Tuner inputs (Hyperband)	1	1	1	1	1
Input frequency (MHz) / Loop through	177 - 862 VHF & UHF / ○	177 - 862 VHF & UHF / ○	177 - 862 VHF & UHF / ○	177 - 862 VHF & UHF / ○	177 - 862 VHF & UHF / ○
Input level / Impedance	-80 to 20/dBm / 75 Ohm	-80 to 20/dBm / 75 Ohm	-80 to 20/dBm / 75 Ohm	-80 to 20/dBm / 75 Ohm	-80 to 20/dBm / 75 Ohm
Modulation	COFDM 2/8 QPSK 16/64 QAM	COFDM 2/8 QPSK 16/64 QAM	COFDM 2/8 QPSK 16/64 QAM	COFDM 2/8 QPSK 16/64 QAM	COFDM 2/8 QPSK 16/64 QAM
FEC	1/2, 2/3, 3/4, 5/6, 7/8	1/2, 2/3, 3/4, 5/6, 7/8	1/2, 2/3, 3/4, 5/6, 7/8	1/2, 2/3, 3/4, 5/6, 7/8	1/2, 2/3, 3/4, 5/6, 7/8
Hierarchical modulation	Hierarchical - non hierarchical	Hierarchical - non hierarchical	Hierarchical - non hierarchical	Hierarchical - non hierarchical	Hierarchical - non hierarchical
DVB-S2 Front end					
Input frequency range	950 MHz to 2150 MHz	950 MHz to 2150 MHz	950 MHz to 2150 MHz	950 MHz to 2150 MHz	950 MHz to 2150 MHz
Signal level	(Only for DVB-S) -25 to -70 dBm (Only for DVB-S2)				
Demodulation	QPSK, 8PSK	QPSK, 8PSK	QPSK, 8PSK	QPSK, 8PSK	QPSK, 8PSK
Input symbol rate	5 Msps for DVB-S, 5 - 30 Msps for DVB-S2				
DiseqC 1.2 support	●	●	●	●	●
LNB power & Polarization	13/18V Selection Horizontal / Vertical - 22KHz generation - Overload Protection				
FEC MODE	Auto - QPSK-S: 1/2, 2/3, 3/4, 3/5, 5/6, 8/9, 9/10 - QPSK-S2: 1/2, 2/3, 3/4, 3/5, 4/5, 5/6, 8/9, 9/10 - 8PSK: 2/3, 3/4, 3/5, 5/6, 8/9, 9/10				
DVB-C Front end					
Input frequency (MHz)	47 - 862 VHF & UHF	47 - 862 VHF & UHF	47 - 862 VHF & UHF	47 - 862 VHF & UHF	47 - 862 VHF & UHF
Input level / Impedance	47 - 70 dbµV / 75 Ohm	47 - 70 dbµV / 75 Ohm	47 - 70 dbµV / 75 Ohm	47 - 70 dbµV / 75 Ohm	47 - 70 dbµV / 75 Ohm
Demodulation / Symbol rate Ms/s	QAM 16/32/64/128/256 demodulation support (EN 300 429) 4.0...7.2 Msymbols/s				
Video Decoder					
MPEG profiles	MP@ML, MP@HL, MPEG4 AVC H.264 HP@L4.0				
Resolution	576i, 576p, 720p, 1080i, 1080p	576i, 576p, 720p, 1080i, 1080p	576i, 576p, 720p, 1080i, 1080p	576i, 576p, 720p, 1080i, 1080p	576i, 576p, 720p, 1080i, 1080p
OSD colors	Fitting to TV-OSD	Fitting to TV-OSD	Fitting to TV-OSD	Fitting to TV-OSD	Fitting to TV-OSD
Picture formats	4:3, 16:9, pan scan, letter box	4:3, 16:9, pan scan, letter box	4:3, 16:9, pan scan, letter box	4:3, 16:9, pan scan, letter box	4:3, 16:9, pan scan, letter box
Audio Decoder					
Profiles	MPEG4, MPEG 1 layer I & II	MPEG4, MPEG 1 layer I & II	MPEG4, MPEG 1 layer I & II	MPEG4, MPEG 1 layer I & II	MPEG4, MPEG 1 layer I & II
AC 3 Decoding	○	○	○	○	○
AC 3 Output	SP/DIF	SP/DIF	SP/DIF	SP/DIF	SP/DIF
Modes	Mono, Dual Mono, Stereo, Joint Stereo				
Software					
Service information processing	Dynamic PMT	Dynamic PMT	Dynamic PMT	Dynamic PMT	Dynamic PMT
DVB subtitles	●	●	●	●	●
Over air download (OTA)	DVB enhanced profile	DVB enhanced profile	DVB enhanced profile	DVB enhanced profile	DVB enhanced profile
Navigator	via menu	via menu	via menu	via menu	via menu
API	○	○	○	○	○
Last station memory	from stand-by, as TV	from stand-by, as TV	from stand-by, as TV	from stand-by, as TV	from stand-by, as TV
Favourite mode	4x free	4x free	4x free	4x free	4x free
Timer / Sleep timer	○	○	○	○	○
Clock	○	○	○	○	○
Volume	○	○	○	○	○
Mute function	●	●	●	●	●
Swap function	●	●	●	●	●
POWER SUPPLY / CABINET					
Power voltage	230V, 50Hz; in accordance to IEC 65	230V, 50Hz; in accordance to IEC 65	230V, 50Hz; in accordance to IEC 65	230V, 50Hz; in accordance to IEC 65	230V, 50Hz; in accordance to IEC 65
Range of regulation	140V - 265V	140V - 265V	140V - 265V	140V - 265V	140V - 265V
Power switch	Tact switch	Tact switch	Tact switch	Tact switch	Tact switch
Integrated supply	●	●	●	●	●
Plug-in AC adaptor	○	○	○	○	○
Power consumption	107W, standby 0.38W in accordance to IEC 62087-2002	107W, standby 0.38W in accordance to IEC 62087-2002	107W, standby 0.38W in accordance to IEC 62087-2002	107W, standby 0.38W in accordance to IEC 62087-2002	107W, standby 0.38W in accordance to IEC 62087-2002
Cabinet (WxHxD, cm)	96,9x61,8x4,3cm	96,9x61,8x4,3cm	96,9x61,8x4,3cm	96,9x61,8x4,3cm	96,9x61,8x4,3cm
Cabinet with stand (WxHxD, cm)	96,9x67,0x22,4cm	96,9x67,0x22,4cm	96,9x67,0x22,4cm	96,9x67,0x22,4cm	96,9x67,0x22,4cm
Weight	ca. 22,0kg	ca. 22,0kg	ca. 22,0kg	ca. 22,0kg	ca. 22,0kg
FRONT PANEL CONNECTIONS					
HDMI	○	○	○	○	○
Headphones	○	○	○	○	○
Cinch-AV socket	○	○	○	○	○
S-Video	○	○	○	○	○
REAR PANEL CONNECTIONS					
Euro-AV Socket AV1	Full wired	Full wired	Full wired	Full wired	Full wired
Euro-AV Socket AV2	○	○	○	○	○
Euro-AV Socket AV3	○	○	○	○	○
S-Video	Hosiden	Hosiden	Hosiden	Hosiden	Hosiden
Camera-AV	3x Cinch socket in	3x Cinch socket in	3x Cinch socket in	3x Cinch socket in	3x Cinch socket in
Wireless	○	○	○	○	○
YUV input / progressive	Video-in: 3 x Cinch, Audio-in: 2 x Cinch				
PC-input	WXGA	WXGA	WXGA	WXGA	WXGA
PC-Audio in	●	●	●	●	●
DVI	○	○	○	○	○
HDMI	4x	4x	4x	4x	4x
HD ready including HDCP	via HDMI	via HDMI	via HDMI	via HDMI	via HDMI
Common Interface	1 slot	1 slot	1 slot	1 slot	1 slot
Headphones	3.5mm jack	3.5mm jack	3.5mm jack	3.5mm jack	3.5mm jack
Digital Audio out coaxial (SPDIF)	●	●	●	●	●
Digital Audio out optical (SPDIF)	○	○	○	○	○
Video out	○	○	○	○	○
Audio out	●	●	●	●	●
USB	2 x USB 2.0	2 x USB 2.0	2 x USB 2.0	2 x USB 2.0	2 x USB 2.0
Antenna for terrestrial reception	1 x Coaxial-socket for TV-tuner-in, according to DIN 45325				
DC-connector	○	○	○	○	○
Power supply plug	●	●	●	●	●
SUPPLIED ACCESSORIES					
Wi-Fi Dongle	○	○	○	○	○
Remote control (incl. battery)	TP 3 black (RC5) & Comfort Remote	TP 3 black (RC5) & Comfort Remote	TP 3 black (RC5) & Comfort Remote	TP 3 black (RC5) & Comfort Remote	TP 3 black (RC5) & Comfort Remote
Power cord	grounded	grounded	grounded	grounded	grounded
Cables	○	○	○	○	○
Instruction manual	●	●	●	●	●
Circuit diagram	○	○	○	○	○
Wall fixture	Prepared for VESA MIS-F 400 x 400	Prepared for VESA MIS-F 400 x 400	Prepared for VESA MIS-F 400 x 400	Prepared for VESA MIS-F 400 x 400	Prepared for VESA MIS-F 400 x 400
Stand	swivel type glass stand	swivel type	swivel type glass stand	swivel type glass stand	swivel type
Cleaning tissue	●	●	○	●	●

Technische Daten / Technical Data 42"

	42 VLC 4120 C	42 VLC 9040 S	42 VLC 9041 C	42 VLC 9140 S
Order No.	GBJ6042	GBI6242	GBJ6142	GBJ6242
Destination	Nordic	D, A	Nordic	D, A
Approbations	CE	CE	CE	CE
IM-Languages	D	D,GB	NO, DK, FI, SE, DE, CRO, EL	D,GB
IM-Languages 2	SE, DK, NO, FI, DE, HR, EL	○	○	○
Remote control	TP 3 black (RC5)	TP 3 black (RC5)	TP 3 black (RC5)	TP 3 black (RC5)
EAN	40 13833-62546 9	40 13833-62277 2	40 13833-62583 4	40 13833-62609 1
Color	glossy black	glossy black	glossy black	Glossy black/Silver
DISPLAY				
Panel	42" / 107cm	42" / 107cm	42" / 107cm	42" / 107cm
Backlight	CCFL	CCFL	CCFL	CCFL
Wide-screen format	●	●	●	●
Response time	5ms	5ms	5ms	5ms
Brightness	500 cd/m2	500 cd/m2	500 cd/m2	500 cd/m2
Contrast ratio (Panel)	3.000:1	3.000:1	3.000:1	3.000:1
Dynamic contrast	30.000:1	50.000:1	50.000:1	50.000:1
Frame Refresh (frames per second)	50Hz	100Hz	100Hz	100Hz
Viewing angle vertical/horizontal, ca. °	178° / 178°	178° / 178°	178° / 178°	178° / 178°
Physical display resolution max. pixel	WUXGA 1920 x 1080 (full HD)	WUXGA 1920 x 1080 (full HD)	WUXGA 1920 x 1080 (full HD)	WUXGA 1920 x 1080 (full HD)
PICTURE				
Full HD	●	●	●	●
24p	○	○	○	○
HD-TV 1080p	●	●	●	●
Line Flicker Reduction	●	●	●	●
Digital Color Transition Improv. (DCTI)	●	●	●	●
Digital Combfilter	3D	3D	3D	3D
Digital Luminance Transition Improv. (DLTI)	●	●	●	●
Picture Noise Reduction	●	●	●	●
Preset picture modes	user, vivid, natural, movie, sports	user, vivid, natural, movie, sports	user, vivid, natural, movie, sports	user, vivid, natural, movie, sports
Aspect ratios (Format switching)	○	Auto (WSS), 4:3 / 16:9 / 14:9 / LetterBox / Subtitle / Panorama	○	○
Blackline detection	○	○	○	○
PIP	○	○	○	○
Multifold Tuner scan (Mosaic Picture)	○	○	○	○
PAT: Split screen (PICTURE + TEXT)	●	●	●	●
PAP: Double Window (PICTURE+PICTURE)	○	○	○	○
P²AT: Double Window + TXT	○	○	○	○
POP: PICTURE on PICTURE	○	○	○	○
Picture freezing	●	●	●	●
Zoom with point function	●	●	●	●
Auto 16:9 selection via Scart	●	●	●	●
Sharpness control	●	●	●	●
Blue Background	●	●	●	●
CHASSIS				
TV-Chassis	SX	SX	SX	SX
Progressive	○	○	○	○
Tuner	PLL frequency synthesizer tuning	PLL frequency synthesizer tuning	PLL frequency synthesizer tuning	PLL frequency synthesizer tuning
Scaler	Sapphire 3+	Sapphire 3+	Sapphire 3+	Sapphire 3+
Keyboard	7 keys: menu, ± for programme, ± for volume, source, stand-by			
ELECTRONIC				
DLNA	○	○	○	○
Stand by indicator	blue LED	blue LED	blue LED	blue LED
EPG (Electronic Programme Guide)	7 days via DVB-T and DVB-C	7 days via DVB-T and DVB-C	7 days via DVB-T and DVB-C	7 days via DVB-T and DVB-C
Easy Dialog	○	○	○	○
Megalogic	○	○	○	○
Manual & autom. labeling of prog.	●	●	●	●
Programmable off timer	●	●	●	●
Programmable on timer	●	●	●	●
Intelligent channel search (Zapping funct.)	●	●	●	●
Programme Edit	●	●	●	●
Intelligent Programme Switch	○	○	○	○
Programme memory TV/AV (opt.)	100 Analog / 400 Digital / AV	100 Analog / 400 Digital / AV	100 Analog / 400 Digital / AV	100 Analog / 400 Digital / AV
Teletext/Fasttext/Toptext	● / ● / ●	● / ● / ●	● / ● / ●	● / ● / ●
Teletext options	1000 pages	1000 pages	1000 pages	1000 pages
Childlock	●	●	●	●
Menu languages OSD	24 languages: D, GB, F, I, E, P, NL, DK, S, FIN, N, TR, GR, PL, CZ, SK, SLO, H, RUS, RO, BG, HR, LT, EE			
OSD-style	OEM-style with Grundig look	OEM-style with Grundig look	OEM-style with Grundig look	OEM-style with Grundig look
Service mode	●	●	●	●
Game mode	presets (user changeable) for sound and picture in HDMI-, Component- and PC-mode			
Hotel mode	Simple hotel mode possible via service adjustment			
Digi Link (HDMI CEC 1.3)	●	●	●	●
Special feature	○	○	○	○
TUNING				
Autom. Tuning System with country select.	full automatic sorting	full automatic sorting	full automatic sorting	full automatic sorting
Frequency Based Auto Search	●	●	●	●
Automatic Micro-search	●	●	●	●
Automatic Programming	○	○	○	○
Manual fine tuning	●	●	●	●
Direct channel selection	●	●	●	●
Direct frequency selection	For cable tuning can be done by entering the frequency (MHz) in digital search menu			
PAL/SECAM/BG/DK/L/L/L	●	●	●	●
NTSC-Playback via Scart (3,58/4,43)	●	●	●	●
Cable TV / Hyperband (S1-S41)	●	●	●	●
AUDIO				
Mono/Stereo/Nicam	● / ● / ●	● / ● / ●	● / ● / ●	● / ● / ●
AV Stereo	●	●	●	●
Loudspeaker	2 wide band at the front side	2 wide band at the front side	2 wide band at the front side	2 wide band at the front side
SRS	●	●	●	●
Dolby digital	●	●	●	●
Virtual Dolby	○	○	○	○
Magic Fidelity Sound System	○	○	○	○
Soundprojector	○	○	○	○
Matched Sound Delay (Lip synchronous)	○	○	○	○
Subwoofer	○	○	○	○
Dynamic Bass	○	○	○	○
DSP (Digital Sound Processor)	○	○	○	○
Balance Adjustment	●	●	●	●
AVL (Audio Volume Level)	●	●	●	●
PIP listening via Headphone.jack	○	○	○	○
Equalizer	5 Band	5 Band	5 Band	5 Band
Space Sound Effect	●	●	●	●
Audio mode	cinema, music, sport, speech, user	cinema, music, sport, speech, user	cinema, music, sport, speech, user	cinema, music, sport, speech, user
Audio amplifier	2 x 10/20W nominal/music power (R/L)	2 x 10/20W nominal/music power (R/L)	2 x 10/20W nominal/music power (R/L)	2 x 10/20W nominal/music power (R/L)
USB part				
Screen saver	○	○	○	○
Recording	●	●	●	●
Dix + HD	●	●	●	●
File browser	●	●	●	●
Video file resolution (max.)	1920 x 1080	1920 x 1080	1920 x 1080	1920 x 1080
Supported files	.mp3, .m4a, .aac, .jpg, .bmp, .png, .mov, .mpg, .mpe, .vob, .dat, .trp, .ts, .avi, .mp4, .mkv, H264(L4.0)			
Supported subtitles	SRT, SSA, ASS, SMI, Video SUB	SRT, SSA, ASS, SMI, Video SUB	SRT, SSA, ASS, SMI, Video SUB	SRT, SSA, ASS, SMI, Video SUB

	42 VLC 4120 C	42 VLC 9040 S	42 VLC 9041 C	42 VLC 9140 S
DVB reception				
Fully compliant to	EN 300 744 & revised NorDigi II spec (regarding DVB-T front end performance)			
Automatic/manual channel search	● / ● - ATS type sorting & LCN type sorting	● / ● - ATS type sorting & LCN type sorting	● / ● - ATS type sorting & LCN type sorting	● / ● - ATS type sorting & LCN type sorting
EPG (SI based)	●	●	●	●
- 8 Day Electronic Programme Guide	●	●	●	●
- now/next	●	●	●	●
- scheduled	If broadcasted	If broadcasted	If broadcasted	If broadcasted
- Extended Event Info	If broadcasted	If broadcasted	If broadcasted	If broadcasted
- Short Event Info	If broadcasted	If broadcasted	If broadcasted	If broadcasted
TV/Radio programmes	400	400	400	400
OSD languages	20 Languages: D, GB, F,I,E,NL,TR,DK,FIN,N,S,SI,PL,H,RUS,RO,HR,CZ,SK,BG,SER			
Parental control	○	○	○	○
Teletext VBI insertion	or decoding	or decoding	or decoding	or decoding
VPS - VBI insertion	PDC based	PDC based	PDC based	PDC based
Programme table	full automatic sorting	full automatic sorting	full automatic sorting	full automatic sorting
Factory station list	●	●	●	●
Embedded Conditional Access	○	○	○	○
Common Interface	●	●	●	●
Ci +	●	●	●	●
Smart Card Reader	○	○	○	○
DVB-T Front end				
Tuner inputs (Hyperband)	1	1	1	1
Input frequency (MHz) / Loop through	177 - 862 VHF & UHF / ○	177 - 862 VHF & UHF / ○	177 - 862 VHF & UHF / ○	177 - 862 VHF & UHF / ○
Input level / Impedance	-80 to 20/dBm / 75 Ohm	-80 to 20/dBm / 75 Ohm	-80 to 20/dBm / 75 Ohm	-80 to 20/dBm / 75 Ohm
Modulation	COFDM 2/8 QPSK 16/64 QAM	COFDM 2/8 QPSK 16/64 QAM	COFDM 2/8 QPSK 16/64 QAM	COFDM 2/8 QPSK 16/64 QAM
FEC	1/2, 2/3, 3/4, 5/6, 7/8	1/2, 2/3, 3/4, 5/6, 7/8	1/2, 2/3, 3/4, 5/6, 7/8	1/2, 2/3, 3/4, 5/6, 7/8
Hierarchical modulation	Hierarchical - non hierarchical	Hierarchical - non hierarchical	Hierarchical - non hierarchical	Hierarchical - non hierarchical
DVB-S2 Front end				
Input frequency range	○	950 MHz to 2150 MHz	○	950 MHz to 2150 MHz
Signal level	○	-25 to -80 dBm (Only for DVB-S) -25 to -70 dBm (Only for DVB-S2)	○	-25 to -80 dBm (Only for DVB-S) -25 to -70 dBm (Only for DVB-S2)
Demodulation	○	QPSK, 8PSK	○	QPSK, 8PSK
Input symbol rate	○	1 - 45 Msps for DVB-S, 5 - 30 Msps for DVB-S2	○	1 - 45 Msps for DVB-S, 5 - 30 Msps for DVB-S2
DiseqC 1.2 support	○	●	○	●
LNB power & Polarization	○	13/18V Selection Horizontal / Vertical - 22KHz generation - Overload Protection	○	13/18V Selection Horizontal / Vertical - 22KHz generation - Overload Protection
FEC MODE	○	Auto - QPSK-S: 1/2, 2/3, 3/4, 3/5, 5/6, 8/9, 9/10 - QPSK-S2: 1/2, 2/3, 3/4, 3/5, 4/5, 5/6, 8/9, 9/10 - 8PSK: 2/3, 3/4, 3/5, 5/6, 8/9, 9/10	○	Auto - QPSK-S: 1/2, 2/3, 3/4, 3/5, 5/6, 8/9, 9/10 - QPSK-S2: 1/2, 2/3, 3/4, 3/5, 4/5, 5/6, 8/9, 9/10 - 8PSK: 2/3, 3/4, 3/5, 5/6, 8/9, 9/10
DVB-C Front end				
Input frequency (MHz)	47 - 862 VHF & UHF	47 - 862 VHF & UHF	47 - 862 VHF & UHF	47 - 862 VHF & UHF
Input level / Impedance	47 - 70 dbuV / 75 Ohm	47 - 70 dbuV / 75 Ohm	47 - 70 dbuV / 75 Ohm	47 - 70 dbuV / 75 Ohm
Demodulation / Symbol rate Ms/s	QAM 16/32/64/128/256 demodulation support (EN 300 429) 4.0...7.2 Msymbols/s			
Video Decoder				
MPEG profiles		MP@ML, MP@HL, MPEG4 AVC H.264 HP@L4.0		
Resolution	576i, 576p, 720p, 1080i, 1080p	576i, 576p, 720p, 1080i, 1080p	576i, 576p, 720p, 1080i, 1080p	576i, 576p, 720p, 1080i, 1080p
OSD colors	Fitting to TV-OSD	Fitting to TV-OSD	Fitting to TV-OSD	Fitting to TV-OSD
Picture formats	4:3, 16:9, pan scan, letter box	4:3, 16:9, pan scan, letter box	4:3, 16:9, pan scan, letter box	4:3, 16:9, pan scan, letter box
Audio Decoder				
Profiles	MPEG4, MPEG 1 layer I & II	MPEG4, MPEG 1 layer I & II	MPEG4, MPEG 1 layer I & II	MPEG4, MPEG 1 layer I & II
AC 3 Decoding	○	○	○	○
AC 3 Output	SP/DIF	SP/DIF	SP/DIF	SP/DIF
Modes	Mono, Dual Mono, Stereo, Joint Stereo	Mono, Dual Mono, Stereo, Joint Stereo	Mono, Dual Mono, Stereo, Joint Stereo	Mono, Dual Mono, Stereo, Joint Stereo
Software				
Service information processing	Dynamic PMT	Dynamic PMT	Dynamic PMT	Dynamic PMT
DVB subtitles	●	●	●	●
Over air download (OTA)	DVB enhanced profile	DVB enhanced profile	DVB enhanced profile	DVB enhanced profile
Navigator	via menu	via menu	via menu	via menu
API	○	○	○	○
Last station memory	from stand-by, as TV	from stand-by, as TV	from stand-by, as TV	from stand-by, as TV
Favourite mode	4x free	4x free	4x free	4x free
Timer / Sleep timer	○	○	○	○
Clock	○	○	○	○
Volume	○	○	○	○
Mute function	●	●	●	●
Swap function	●	●	●	●
POWER SUPPLY / CABINET				
Power voltage	230V, 50Hz; in accordance to IEC 65	230V, 50Hz; in accordance to IEC 65	230V, 50Hz; in accordance to IEC 65	230V, 50Hz; in accordance to IEC 65
Range of regulation	140V - 265V	140V - 265V	140V - 265V	140V - 265V
Power switch	●	●	●	●
Integrated supply	●	●	●	●
Plug-in AC adaptor	○	○	○	○
Power consumption	210W, standby 0.48W in accordance to IEC 62087-2002	210W, standby 0.48W in accordance to IEC 62087-2002	210W, standby 0.48W in accordance to IEC 62087-2002	210W, standby 0.48W in accordance to IEC 62087-2002
Cabinet (WxHxD, cm)	101,8 x 68,3 x 9,5cm	101,8 x 68,3 x 9,5cm	101,8 x 68,3 x 9,5cm	101,8 x 68,3 x 9,5cm
Cabinet with stand (WxHxD, cm)	101,8 x 73,5 x 29,7cm	101,8 x 73,5 x 29,7cm	101,8 x 73,5 x 29,7cm	101,8 x 73,5 x 29,7cm
Weight	ca. 27,3kg	ca. 27,3kg	ca. 27,3kg	ca. 27,3kg
FRONT PANEL CONNECTIONS				
HDMI	○	○	○	○
Headphones	○	○	○	○
Cinch-AV socket	○	○	○	○
S-Video	○	○	○	○
REAR PANEL CONNECTIONS				
Euro-AV Socket AV1	Full wired	Full wired	Full wired	Full wired
Euro-AV Socket AV2	○	○	○	○
Euro-AV Socket AV3	○	○	○	○
S-Video	Hosiden	Hosiden	Hosiden	Hosiden
Camera-AV	3x Cinch socket in	3x Cinch socket in	3x Cinch socket in	3x Cinch socket in
Wireless	○	○	○	○
YUV input / progressive	Video-in: 3 x Cinch, Audio-in: 2 x Cinch	Video-in: 3 x Cinch, Audio-in: 2 x Cinch	Video-in: 3 x Cinch, Audio-in: 2 x Cinch	Video-in: 3 x Cinch, Audio-in: 2 x Cinch
PC-input	WXGA	WXGA	WXGA	WXGA
PC-Audio in	●	●	●	●
DVI	○	○	○	○
HDMI	3x	4x	4x	4x
HD ready including HDCP	via HDMI	via HDMI	via HDMI	via HDMI
Common Interface	1 slot	1 slot	1 slot	1 slot
Headphones	3.5mm jack	3.5mm jack	3.5mm jack	3.5mm jack
Digital Audio out coaxial (SPDIF)	●	●	●	●
Digital Audio out optical (SPDIF)	●	●	●	●
Video out	○	○	○	○
Audio out	●	●	●	●
USB	2 x USB 2.0	2 x USB 2.0	2 x USB 2.0	2 x USB 2.0
Antenna for terrestrial reception		1 x Coaxial-socket for TV-tuner-in, according to DIN 45325		
DC-connector	○	○	○	○
Power supply plug	●	●	●	●
SUPPLIED ACCESSORIES				
Wi-Fi Dongle	○	○	○	○
Remote control (incl. battery)	TP3 (RC5) incl. 3x Battery AAA size	TP3 (RC5) incl. 3x Battery AAA size	TP3 (RC5) incl. 3x Battery AAA size	TP3 (RC5) incl. 3x Battery AAA size
Power cord	non grounded	non grounded	non grounded	non grounded
Cables	○	○	○	○
Instruction manual	●	●	●	●
Circuit diagram	○	○	○	○
Wall fixture		Prepared for VESA standard adaptor 200 x 200		
Stand	swivel type	swivel type	swivel type	swivel type
Cleaning tissue	●	●	●	●

Technische Daten / Technical Data 46"/55"

	Fine Arts 46 3D DL	Fine Arts 46 S DL	Fine Arts 55 3D DL
Order No.	GBJ7646/GBJ7746	GBJ7546/GBJ7446	GBJ7555
Destination	Nordic	Nordic Countries	Nordic Countries
Approbations	CE	CE	CE
IM-Languages	D,DK,N,S,FIN,E,HR	Nor: SE, DK, NOR, FI, DE, HR, EL	Nor: SE, DK, NOR, FI, DE, HR, EL
IM-Languages 2	○	○	○
Remote control	TP5 & Comfort Remote(White)	TP3 & Comfort Remote (White)	TP3 & Comfort Remote (White)
EAN	40 13833-62620 6/ -62621 3	40 13833-62602 2/ -62601 5	40 13833-62560 5
Color	Silver/ Black	Silver/ Black	Black
DISPLAY			
Panel	46" / 117cm	46" / 117cm	55" / 140cm
Backlight	EDGE LED	EDGE LED	EDGE LED
Wide-screen format	●	●	●
Response time	6ms	6ms	8ms
Brightness	450 cd/m2	450 cd/m2	450 cd/m2
Contrast ratio (Panel)	5.000:1	5.000:1	4.000:1
Dynamic contrast	1.000.000:1	1.000.000:1	1.000.000:1
Frame Refresh (frames per second)	50Hz	100Hz	50Hz
Viewing angle vertical/horizontal, ca. °	178° / 178°	178° / 178°	178° / 178°
Physical display resolution max. pixel	WUXGA 1920 x 1080 (full HD 200Hz)	WUXGA 1920 x 1080 (full HD 100Hz)	WUXGA 1920 x 1080 (full HD 200Hz)
PICTURE			
Full HD	●	●	●
24p	○	○	○
HD-TV 1080p	●	●	●
Line Flicker Reduction	●	●	●
Digital Color Transition Improv. (DCTI)	●	●	●
Digital Combfilter	3D	3D	3D
Digital Luminance Transition Improv. (DLTI)	●	●	●
Picture Noise Reduction	●	●	●
Preset picture modes	user, vivid, natural, movie, sports	user, vivid, natural, movie, sports	user, vivid, natural, movie, sports
Aspect ratios (Format switching)	Auto (WSS), 4:3 / 16:9 / 14:9 / LetterBox / Subtitle / Panorama	Auto (WSS), 4:3 / 16:9 / 14:9 / LetterBox / Subtitle / Panorama	Auto (WSS), 4:3 / 16:9 / 14:9 / LetterBox / Subtitle / Panorama
Blackline detection	○	○	○
PIP	○	○	○
Multifold Tuner scan (Mosaic Picture)	○	○	○
PAT: Split screen (PICTURE + TEXT)	○	○	○
PAP: Double Window (PICTURE+PICTURE)	○	○	○
P²AT: Double Window + TXT	○	○	○
POP: PICTURE on PICTURE	○	○	○
Picture freezing	●	●	●
Zoom with point function	●	●	●
Auto 16:9 selection via Scart	●	●	●
Sharpness control	●	●	●
Blue Background	●	●	●
CHASSIS			
TV-Chassis	SX	SX	SX
Progressive	○	○	○
Tuner	PLL frequency synthesizer tuning	PLL frequency synthesizer tuning	PLL frequency synthesizer tuning
Scaler	Sapphire 3+	Sapphire 3+	Sapphire 3+
Keyboard	7 keys: menu, ± for programme, ± for volume, source, stand-by		
ELECTRONIC			
DLNA	●	●	●
Stand by indicator	blue LED	blue LED	blue LED
EPG (Electronic Programme Guide)	7 days via DVB-T and DVB-C	7 days via DVB-T and DVB-C	7 days via DVB-T and DVB-C
Easy Dialog	○	○	○
Megalogic	○	○	○
Manual & autom. labeling of prog.	●	●	●
Programmable off timer	●	●	●
Programmable on timer	●	●	●
Intelligent channel search (Zapping funct.)	●	●	●
Programme Edit	●	●	●
Intelligent Programme Switch	○	○	○
Programme memory TV/AV (opt.)	100 Analog / 400 Digital / AV	100 Analog / 400 Digital / AV	100 Analog / 400 Digital / AV
Teletext/Fasttext/Toptext	● / ● / ●	● / ● / ●	● / ● / ●
Teletext options	1000 pages	1000 pages	1000 pages
Childlock	●	●	●
Menu languages OSD	24 languages, D, GB, F, I, E, P, NL, DK, S, FIN, N, TR, GR, PL, CZ, SK, SLO, H, RUS, RO, BG, HR, LT, EE		
OSD-style	OEM-style with Grundig look	OEM-style with Grundig look	OEM-style with Grundig look
Service mode	●	●	●
Game mode	presets (user changeable) for sound and picture in HDMI-, Component- and PC-mode		
Hotel mode	Simple hotel mode possible via service adjustment	Simple hotel mode possible via service adjustment	Simple hotel mode possible via service adjustment
Digi Link (HDMI CEC 1.3)	●	●	●
Special feature	○	○	○
TUNING			
Autom. Tuning System with country select.	full automatic sorting	full automatic sorting	full automatic sorting
Frequency Based Auto Search	●	●	●
Automatic Micro-search	●	●	●
Automatic Programming	○	○	○
Manual fine tuning	●	●	●
Direct channel selection	●	●	●
Direct frequency selection	For cable tuning can be done by entering the frequency (MHz) in digital search menu		
PAL/SECAM/BG/DK/L/L/L	●	●	●
NTSC-Playback via Scart (3,58/4,43)	●	●	●
Cable TV / Hyperband (S1-S41)	●	●	●
AUDIO			
Mono/Stereo/Nicam	● / ● / ●	● / ● / ●	● / ● / ●
AV Stereo	●	●	●
Loudspeaker	2 wide band at the front side	2 wide band at the front side	2 wide band at the front side
SRS	●	●	●
Dolby digital	○	○	○
Virtual Dolby	○	○	○
Magic Fidelity Sound System	○	○	○
Soundprojector	○	○	○
Matched Sound Delay (Lip synchronous)	○	○	○
Subwoofer	○	○	○
Dynamic Bass	○	○	○
DSP (Digital Sound Processor)	○	○	○
Balance Adjustment	●	●	●
AVL (Audio Volume Level)	○	○	○
PIP listening via Headphone.jack	○	○	○
Equalizer	5 Band	5 Band	5 Band
Space Sound Effect	●	●	●
Audio mode	cinema, music, sport, speech, user	cinema, music, sport, speech, user	cinema, music, sport, speech, user
Audio amplifier	2 x 10/20W nominal/music power (R/L)	2 x 10/20W nominal/music power (R/L)	2 x 10/20W nominal/music power (R/L)
USB part			
Screen saver	○	○	○
Recording	●	●	●
Dvix + HD	●	●	●
File browser	●	●	●
Video file resolution (max.)	1920 x 1080	1920 x 1080	1920 x 1080
Supported files	.mp3, .m4a, .aac, .jpg, .bmp, .png, .mov, .mpg, .mpe, .vob, .dat, .trp, .ts, .avi, .mp4, .mkv, H264(L4.0)		
Supported subtitles	SRT, SSA, ASS, SMI, Video SUB		

	Fine Arts 46 3D DL	Fine Arts 46 S DL	Fine Arts 55 3D DL
DVB reception			
Fully compliant to	EN 300 744 & revised NorDig II spec (regarding DVB-T front end performance)		
Automatic/manual channel search	● / ● - ATS type sorting & LCN type sorting	● / ● - ATS type sorting & LCN type sorting	● / ● - ATS type sorting & LCN type sorting
EPG (SI based)	●	●	●
- 8 Day Electronic Programme Guide	●	●	●
- now/next	●	●	●
- scheduled	If broadcasted	If broadcasted	If broadcasted
- Extended Event Info	If broadcasted	If broadcasted	If broadcasted
- Short Event Info	If broadcasted	If broadcasted	If broadcasted
TV/Radio programmes	400	400	400
OSD languages	20 Languages: D, GB, F,I,E,NL,TR,DK,FIN,N,S,SI,PL,H,RUS,RO,HR,CZ,SK,BG,SER		
Parental control	○	○	○
Teletext VBI insertion	or decoding	or decoding	or decoding
VPS - VBI insertion	PDC based	PDC based	PDC based
Programme table	full automatic sorting	full automatic sorting	full automatic sorting
Factory station list	●	●	●
Embedded Conditional Access	○	○	○
Common Interface	●	●	●
CI +	●	●	●
Smart Card Reader	○	○	○
DVB-T Front end			
Tuner inputs (Hyperband)	1	1	1
Input frequency (MHz) / Loop through	177 - 862 VHF & UHF / ○	177 - 862 VHF & UHF / ○	177 - 862 VHF & UHF / ○
Input level / Impedance	-80 to 20dBm / 75 Ohm	-80 to 20dBm / 75 Ohm	-80 to 20dBm / 75 Ohm
Modulation	COFDM 2/8 QPSK 16/64 QAM	COFDM 2/8 QPSK 16/64 QAM	COFDM 2/8 QPSK 16/64 QAM
FEC	1/2, 2/3, 3/4, 5/6, 7/8	1/2, 2/3, 3/4, 5/6, 7/8	1/2, 2/3, 3/4, 5/6, 7/8
Hierarchical modulation	Hierarchical - non hierarchical	Hierarchical - non hierarchical	Hierarchical - non hierarchical
DVB-S2 Front end			
Input frequency range	950 MHz to 2150 MHz	950 MHz to 2150 MHz	950 MHz to 2150 MHz
Signal level	-25 to -80 dBm (Only for DVB-S) -25 to -70 dBm (Only for DVB-S2)		
Demodulation	QPSK, 8PSK	QPSK, 8PSK	QPSK, 8PSK
Input symbol rate	1 - 45 Msps for DVB-S, 5 - 30 Msps for DVB-S2	1 - 45 Msps for DVB-S, 5 - 30 Msps for DVB-S2	1 - 45 Msps for DVB-S, 5 - 30 Msps for DVB-S2
DiseqQ 1.2 support	●	●	●
LNB power & Polarization	13/18V Selection Horizontal / Vertical - 22KHz generation - Overload Protection	13/18V Selection Horizontal / Vertical - 22KHz generation - Overload Protection	13/18V Selection Horizontal / Vertical - 22KHz generation - Overload Protection
FEC MODE	Auto - QPSK-S: 1/2, 2/3, 3/4, 3/5, 5/6, 8/9, 9/10 - QPSK-S2: 1/2, 2/3, 3/4, 3/5, 4/5, 5/6, 8/9, 9/10 - 8PSK: 2/3, 3/4, 3/5, 5/6, 8/9, 9/10		
DVB-C Front end			
Input frequency (MHz)	47 - 862 VHF & UHF	47 - 862 VHF & UHF	47 - 862 VHF & UHF
Input level / Impedance	47 - 70 dbμV / 75 Ohm	47 - 70 dbμV / 75 Ohm	47 - 70 dbμV / 75 Ohm
Demodulation / Symbol rate Ms/s	QAM 16/32/64/128/256 demodulation support (EN 300 429) 4.0...7.2 Msymbols/s		
Video Decoder			
MPEG profiles	MP@ML, MP@HL, MPEG4 AVC H.264 HP@L4.0	MP@ML, MP@HL, MPEG4 AVC H.264 HP@L4.0	MP@ML, MP@HL, MPEG4 AVC H.264 HP@L4.0
Resolution	576i, 576p, 720p, 1080i, 1080p	576i, 576p, 720p, 1080i, 1080p	576i, 576p, 720p, 1080i, 1080p
OSD colors	Fitting to TV-OSD	Fitting to TV-OSD	Fitting to TV-OSD
Picture formats	4:3, 16:9, pan scan, letter box	4:3, 16:9, pan scan, letter box	4:3, 16:9, pan scan, letter box
Audio Decoder			
Profiles	MPEG4, MPEG 1 layer I & II	MPEG4, MPEG 1 layer I & II	MPEG4, MPEG 1 layer I & II
AC 3 Decoding	○	○	○
AC 3 Output	SP/DIF	SP/DIF	SP/DIF
Modes	Mono, Dual Mono, Stereo, Joint Stereo	Mono, Dual Mono, Stereo, Joint Stereo	Mono, Dual Mono, Stereo, Joint Stereo
Software			
Service information processing	Dynamic PMT	Dynamic PMT	Dynamic PMT
DVB subtitles	●	●	●
Over air download (OTA)	DVB enhanced profile	DVB enhanced profile	DVB enhanced profile
Navigator	via menu	via menu	via menu
API	○	○	○
Last station memory	from stand-by, as TV	from stand-by, as TV	from stand-by, as TV
Favourite mode	4x free	4x free	4x free
Timer / Sleep timer	○	○	○
Clock	○	○	○
Volume	○	○	○
Mute function	●	●	●
Swap function	●	●	●
POWER SUPPLY / CABINET			
Power voltage	230V, 50Hz; in accordance to IEC 65	230V, 50Hz; in accordance to IEC 65	230V, 50Hz; in accordance to IEC 65
Range of regulation	140V - 265V	140V - 265V	140V - 265V
Power switch	Tact switch	Tact switch	Tact switch
Integrated supply	●	●	●
Plug-in AC adaptor	○	○	○
Power consumption	150W, standby 0,48W in accordance to IEC 62087-2002	115W, standby 0,38W in accordance to IEC 62087-2002	180W, standby 0,5W in accordance to IEC 62087-2002
Cabinet (WxHxD, cm)	110,4x69,8x3,9cm	110,4x69,8x3,9cm	129,7x80,8x4,2cm
Cabinet with stand (WxHxD, cm)	110,4x75,9x24,4cm	110,4x75,9x24,4cm	129,7x86,6x31,4cm
Weight	ca. 27kg	ca. 27kg	ca. 35kg
FRONT PANEL CONNECTIONS			
HDMI	○	○	○
Headphones	○	○	○
Cinch-AV socket	○	○	○
S-Video	○	○	○
REAR PANEL CONNECTIONS			
Euro-AV Socket AV1	Full wired	Full wired	Full wired
Euro-AV Socket AV2	○	○	○
Euro-AV Socket AV3	○	○	○
S-Video	Hosiden	Hosiden	Hosiden
Camera-AV	3x Cinch socket in	3x Cinch socket in	3x Cinch socket in
Wireless	○	○	○
YUV input / progressive	Video-in: 3 x Cinch, Audio-in: 2 x Cinch	Video-in: 3 x Cinch, Audio-in: 2 x Cinch	Video-in: 3 x Cinch, Audio-in: 2 x Cinch
PC-input	WXGA	WXGA	WXGA
PC-Audio in	●	●	●
DVI	○	○	○
HDMI	4x	4x	4x
HD ready including HDCP	via HDMI	via HDMI	via HDMI
Common Interface	1 slot	1 slot	1 slot
Headphones	3.5mm jack	3.5mm jack	3.5mm jack
Digital Audio out coaxial (SPDIF)	●	●	●
Digital Audio out optical (SPDIF)	○	○	○
Video out	○	○	○
Audio out	●	●	●
USB	2 x USB 2.0	2 x USB 2.0	2 x USB 2.0
Antenna for terrestrial reception	1 x Coaxial-socket for TV-tuner-in, according to DIN 45325	1 x Coaxial-socket for TV-tuner-in, according to DIN 45325	1 x Coaxial-socket for TV-tuner-in, according to DIN 45325
DC-connector	○	○	○
Power supply plug	●	●	●
SUPPLIED ACCESSORIES			
Wi-Fi Dongle	●	●	●
Remote control (incl. battery)	TP 5 Silver & Comfort Remote (YF-1 / YF-2)	TP 3 black (RC5) & Comfort Remote (YF-1 / YF-2)	TP 3 black (RC5) & Comfort Remote (YF-1 / YF-2)
Power cord	grounded	grounded	grounded
Cables	○	○	○
Instruction manual	●	●	●
Circuit diagram	○	○	○
Wall fixture	Prepared for VESA MIS-F 400 x 400	Prepared for VESA MIS-F 400 x 400	Prepared for VESA MIS-F 400 x 400
Stand	swivel type glass stand	swivel type glass stand	swivel type glass stand
Cleaning tissue	○	○	○

Service- und Sonderfunktionen

Tastenfunktionen

- i Aufrufen/Beenden des COMFORT GUIDE / Beenden des Service Mode
- ^ v Menü-Zeile (Menüpunkt) wählen
- ⊙ (OK) Aufrufen der Menüs
- < > Wert ändern
- Z Untermenü: Zurück zum Hauptmenü

Service-Mode aktivieren

- Taste i (Info) drücken.
- Zahlenfolge 8500 eingeben.

Service-Mode beenden

- Taste i drücken.

1. Grundeinstellwerte

Service and Special Functions

Functions of the buttons

- i Call up/exit the COMFORT GUIDE / exit the Service Mode
- ^ v Call up the dialogue line (point of menu)
- ⊙ (OK) Call up the Menus
- < > Changing the settings
- Z Submenu: Back to main menu

Calling up the Service Mode

- Press button i (Info).
- Enter the code number 8500.

Exit the Service Mode

- Press button i.

1. Basic Settings

Menü Menu ^ v	Menüpunkt Point of Menu ● (OK)	Einstellung Adjustment < >	26 VLC 3001 C	26 VLC 9140 S	Hamburg 26 VLC 8100 S	32 VLC 3001 C	32 VLC 6120 C	32 VLC 9140 S	32 VLE 7140 C	32 VLE 7150 C	32 VLE 7160 C	32 VLE 811 S DL
System Configuration	TV Mode	Customer Factory	X	X	X	X	X	X	X	X	X	X
	HDCP Verify		prüft HDCP im EEPROM / verifies HDCP in EEPROM									
	Debug Mode	On/Off	Off	Off	Off	Off	Off	Off	Off	Off	Off	Off
	Plug Play	On Off	ATS Reset: Netz ein → Automatischer Sendersuchlauf / Power on → automatic programme search									
	ATS	On/Off	On	On	On	On	On	On	On	On	On	On
	SRS	On/Off	On	On	On	On	On	On	On	On	On	On
	Blue Back	On/Off	On	On	On	On	On	On	On	On	On	On
	Teletext	None/Top/Fast/ Fast Top	Fast	Fast	Fast Top	Fast	Fast Top	Fast Top	Fast Top	Fast Top	Fast Top	Fast Top
	Panorama	On/Off	On	On	On	On	On	On	On	On	On	On
	Hotel	On/Off	Off	Off	Off	Off	Off	Off	Off	Off	Off	Off
	Mirror	On/Off	entsprechend dem Bild einstellen / adjust dependent of the picture									
	CI PLUS	On/Off	Off	On	On	Off	On	On	On	On	On	On
	CI Key	Product	Product	Product	Product	Product	Product	Product	Product	Product	Product	Product
CI Key Verify		prüft CI Key / verifies CI Key										
Source Configuration Code 2356	ATV	Avail/Navail	Avail	Avail	Avail	Avail	Avail	Avail	Avail	Avail	Avail	Avail
	Air	Avail/Navail	Avail	Avail	Avail	Avail	Avail	Avail	Avail	Avail	Avail	Avail
	Cable	Avail/Navail	Avail	Avail	Avail	Avail	Avail	Avail	Avail	Avail	Avail	Avail
	Satellite	Avail/Navail	Navail	Avail	Avail	Navail	Navail	Avail	Navail	Navail	Navail	Avail
	USB	Avail/Navail	Avail	Avail	Avail	Avail	Avail	Avail	Avail	Avail	Avail	Avail
	PC	Avail/Navail	Avail	Avail	Avail	Avail	Avail	Avail	Avail	Avail	Avail	Avail
	HDMI1	Avail/Navail	Avail	Avail	Avail	Avail	Avail	Avail	Avail	Avail	Avail	Avail
	HDMI2	Avail/Navail	Avail	Avail	Avail	Avail	Avail	Avail	Avail	Avail	Avail	Avail
	HDMI3	Avail/Navail	Avail	Avail	Avail	Avail	Avail	Avail	Avail	Avail	Avail	Avail
	HDMI4	Avail/Navail	Navail	Avail	Avail	Navail	Navail	Avail	Avail	Avail	Avail	Avail
	AV	Avail/Navail	Avail	Avail	Avail	Avail	Avail	Avail	Avail	Avail	Avail	Avail
Scart	Avail/Navail	Avail	Avail	Avail	Avail	Avail	Avail	Avail	Avail	Avail	Avail	
Component	Avail/Navail	Avail	Avail	Avail	Avail	Avail	Avail	Avail	Avail	Avail	Avail	
S-VHS	Avail/Navail	Avail	Avail	Avail	Avail	Avail	Avail	Avail	Avail	Avail	Avail	
TV Configuration Code 2356	Tuner		Eingebauten Tuner wählen / Select used tuner									
	OSD Selection	Grundig	Grundig	Grundig	Grundig	Grundig	Grundig	Grundig	Grundig	Grundig	Grundig	Grundig
	USB Recording	On/Off	On	On	On	On	On	On	On	On	On	On
	Remote Control		Fernbedienung wählen / Select used remote control									
	Keypad	Normal/TouchPad/ Joystick	Normal	Normal	Normal	Normal	Normal	Normal	Normal	Normal	Normal	Normal
	L	On/Off	On	On	On	On	On	On	On	On	On	On
	MEMC	On/Off	Off	Off	Off	Off	Off	On	On	On	On	On
	7 Segment Display	On/Off	Off	Off	On	Off	Off	Off	Off	Off	Off	Off
	Eco TV	On/Off	On	On	On	On	On	On	On	On	On	On
	Line Out	On/Off	On	On	On	On	On	On	On	On	On	On
	Headphone	On/Off	On	On	On	On	On	On	On	On	On	On
	Shop Mode	On/Off	Off	Off	Off	Off	Off	Off	Off	Off	Off	Off
	Sports Mode	On/Off	Off	Off	Off	Off	Off	Off	Off	Off	Off	Off
	Cabin Option	1	1	1	1	1	1	1	1	1	1	1
	Speaker Out Power	3, 5, 7, 10, 15 Watt	7 Watt	7 Watt	7 Watt	10 Watt	10 Watt	10 Watt	10 Watt	10 Watt	10 Watt	10 Watt
Subwoofer Output	Woofer 1, 2, 3/Off	Off	Off	Off	Off	Off	Off	Off	Off	Off	Off	
EPG Padding Time	On/Off	On	On	On	On	On	On	On	On	On	On	
EMC Adjust- ments Code 2356	AGC VHF	0...15	9	9	9	9	9	9	9	9	9	9
	AGC SECAM VHF	0...15	10	10	10	10	10	10	10	10	10	10
	AGC UHF	0...15	10	10	10	10	10	10	10	10	10	10
	AGC SECAM UHF	0...15	10	10	10	10	10	10	10	10	10	10
	AGC LPrime	0...15	10	10	10	10	10	10	10	10	10	10

Alle weiteren Menüs werden über die Gerätesoftware programmiert und dürfen nicht verstellt werden.
All other menus are programmed by the software of the set and must not be adjusted.

Menü Menu ^ v	Menüpunkt Point of Menu ● (OK)	Einstellung Adjustment < >	32 VLE 8140 S DL	32 VLE 8141 S DL	32 VLE 8142 S DL	32 VLE 8180 S	Fine Arts 32 C DL	Fine Arts 32 S DL	Hamburg 32 VLC 8140 S	NewYork 32 S DL	Rom 32 VLE 8162 S DL	37 VLC 9140 S
System Configuration	TV Mode	Customer Factory	X	X	X	X	X	X	X	X	X	X
	HDCP Verify		prüft HDCP im EEPROM / verifies HDCP in EEPROM									
	Debug Mode	On/Off	Off	Off	Off	Off	Off	Off	Off	Off	Off	Off
	Plug Play	On	ATS Reset: Netz ein → Automatischer Sendersuchlauf / Power on → automatic programme search									
		Off	X	X	X	X	X	X	X	X	X	X
	ATS	On/Off	On	On	On	On	On	On	On	On	On	On
	SRS	On/Off	On	On	On	On	On	On	On	On	On	On
	Blue Back	On/Off	On	On	On	On	On	On	On	On	On	On
	Teletext	None/Top/Fast/Fast Top	Fast Top	Fast Top	Fast Top	Fast Top	Fast Top	Fast Top	Fast Top	Fast Top	Fast Top	Fast Top
	Panorama	On/Off	On	On	On	On	On	On	On	On	On	On
	Hotel	On/Off	Off	Off	Off	Off	Off	Off	Off	Off	Off	Off
	Mirror	On/Off	entsprechend dem Bild einstellen / adjust dependent of the picture									
	CI PLUS	On/Off	Off	On	On	On	On	On	On	On	On	On
	CI Key	Product	Product	Product	Product	Product	Product	Product	Product	Product	Product	Product
CI Key Verify		prüft CI Key / verifies CI Key										
Source Configuration Code 2356	ATV	Avail/Navail	Avail	Avail	Avail	Avail	Avail	Avail	Avail	Avail	Avail	Avail
	Air	Avail/Navail	Avail	Avail	Avail	Avail	Avail	Avail	Avail	Avail	Avail	Avail
	Cable	Avail/Navail	Avail	Avail	Avail	Avail	Avail	Avail	Avail	Avail	Avail	Avail
	Satellite	Avail/Navail	Avail	Avail	Avail	Avail	Avail	Avail	Avail	Avail	Avail	Avail
	USB	Avail/Navail	Avail	Avail	Avail	Avail	Avail	Avail	Avail	Avail	Avail	Avail
	PC	Avail/Navail	Avail	Avail	Avail	Avail	Avail	Avail	Avail	Avail	Avail	Avail
	HDMI1	Avail/Navail	Avail	Avail	Avail	Avail	Avail	Avail	Avail	Avail	Avail	Avail
	HDMI2	Avail/Navail	Avail	Avail	Avail	Avail	Avail	Avail	Avail	Avail	Avail	Avail
	HDMI3	Avail/Navail	Avail	Avail	Avail	Avail	Avail	Avail	Avail	Avail	Avail	Avail
	HDMI4	Avail/Navail	Avail	Avail	Avail	Avail	Avail	Avail	Avail	Avail	Avail	Avail
	AV	Avail/Navail	Avail	Avail	Avail	Avail	Avail	Avail	Avail	Avail	Avail	Avail
	Scart	Avail/Navail	Avail	Avail	Avail	Avail	Avail	Avail	Avail	Avail	Avail	Avail
	Component	Avail/Navail	Avail	Avail	Avail	Avail	Avail	Avail	Avail	Avail	Avail	Avail
S-VHS	Avail/Navail	Avail	Avail	Avail	Avail	Avail	Avail	Avail	Avail	Avail	Avail	
TV Configuration Code 2356	Tuner		Eingebauten Tuner wählen / Select used tuner									
	OSD Selection	Grundig	Grundig	Grundig	Grundig	Grundig	Grundig	Grundig	Grundig	Grundig	Grundig	Grundig
	USB Recording	On/Off	On	On	On	On	On	On	On	On	On	On
	Remote Control		Fernbedienung wählen / Select used remote control									
	Keypad	Normal/TouchPad/Joystick	Normal	Normal	Normal	Normal	Normal	Normal	Normal	Normal	Normal	Normal
	L	On/Off	On	On	On	On	On	On	On	On	On	On
	MEMC	On/Off	On	On	On	On	On	On	On	On	On	On
	7 Segment Display	On/Off	Off	Off	Off	Off	Off	Off	Off	Off	Off	Off
	Eco TV	On/Off	On	On	On	On	On	On	On	On	On	On
	Line Out	On/Off	On	On	On	On	On	On	On	On	On	On
	Headphone	On/Off	On	On	On	On	On	On	On	On	On	On
	Shop Mode	On/Off	Off	Off	Off	Off	Off	Off	Off	Off	Off	Off
	Sports Mode	On/Off	Off	Off	Off	Off	Off	Off	Off	Off	Off	Off
	Cabin Option	1	1	1	1	1	1	1	1	1	1	1
	Speaker Out Power	3, 5, 7, 10, 15 Watt	10 Watt	10 Watt	10 Watt	10 Watt	10 Watt	10 Watt	10 Watt	10 Watt	10 Watt	10 Watt
Subwoofer Output	Woofer 1, 2, 3/Off	Off	Off	Off	Off	Off	Off	Off	Off	Off	Off	
EPG Padding Time	On/Off	On	On	On	On	On	On	On	On	On	On	
EMC Adjust-ments Code 2356	AGC VHF	0...15	9	9	9	9	9	9	9	9	9	9
	AGC SECAM VHF	0...15	10	10	10	10	10	10	10	10	10	10
	AGC UHF	0...15	10	10	10	10	10	10	10	10	10	10
	AGC SECAM UHF	0...15	10	10	10	10	10	10	10	10	10	10
	AGC LPrime	0...15	10	10	10	10	10	10	10	10	10	10

Alle weiteren Menüs werden über die Gerätesoftware programmiert und dürfen nicht verstellt werden.
All other menus are programmed by the software of the set and must not be adjusted.

Menü Menu ^ v	Menüpunkt Point of Menu ● (OK)	Einstellung Adjustment < >	Hamburg 37 V LC 8140 S	40 VLE 811 S DL	40 VLE 6141 C	40 VLE 7140 C	40 VLE 7150 C	40 VLE 7160 C	40 VLE 8140 S DL	40 VLE 8141 S DL	40 VLE 8142 S DL	40 VLE 8180 S
System Configuration	TV Mode	Customer Factory	X	X	X	X	X	X	X	X	X	X
	HDCP Verify		prüft HDCP im EEPROM / verifies HDCP in EEPROM									
	Debug Mode	On/Off	Off	Off	Off	Off	Off	Off	Off	Off	Off	Off
	Plug Play	On	ATS Reset: Netz ein → Automatischer Sendersuchlauf / Power on → automatic programme search									
		Off	X	X	X	X	X	X	X	X	X	X
	ATS	On/Off	On	On	On	On	On	On	On	On	On	On
	SRS	On/Off	On	On	On	On	On	On	On	On	On	On
	Blue Back	On/Off	On	On	On	On	On	On	On	On	On	On
	Teletext	None/Top/Fast/ Fast Top	Fast Top	Fast Top	Fast Top	Fast Top	Fast Top	Fast Top	Fast Top	Fast Top	Fast Top	Fast Top
	Panorama	On/Off	On	On	On	On	On	On	On	On	On	On
	Hotel	On/Off	Off	Off	Off	Off	Off	Off	Off	Off	Off	Off
	Mirror	On/Off	entsprechend dem Bild einstellen / adjust dependent of the picture									
	CI PLUS	On/Off	On	On	On	On	On	On	On	On	On	On
	CI Key	Product	Product	Product	Product	Product	Product	Product	Product	Product	Product	Product
CI Key Verify		prüft CI Key / verifies CI Key										
Source Configuration Code 2356	ATV	Avail/Navail	Avail	Avail	Avail	Avail	Avail	Avail	Avail	Avail	Avail	Avail
	Air	Avail/Navail	Avail	Avail	Avail	Avail	Avail	Avail	Avail	Avail	Avail	Avail
	Cable	Avail/Navail	Avail	Avail	Avail	Avail	Avail	Avail	Avail	Avail	Avail	Avail
	Satellite	Avail/Navail	Avail	Avail	Navail	Navail	Navail	Navail	Avail	Avail	Avail	Avail
	USB	Avail/Navail	Avail	Avail	Avail	Avail	Avail	Avail	Avail	Avail	Avail	Avail
	PC	Avail/Navail	Avail	Avail	Avail	Avail	Avail	Avail	Avail	Avail	Avail	Avail
	HDMI1	Avail/Navail	Avail	Avail	Avail	Avail	Avail	Avail	Avail	Avail	Avail	Avail
	HDMI2	Avail/Navail	Avail	Avail	Avail	Avail	Avail	Avail	Avail	Avail	Avail	Avail
	HDMI3	Avail/Navail	Avail	Avail	Avail	Avail	Avail	Avail	Avail	Avail	Avail	Avail
	HDMI4	Avail/Navail	Avail	Avail	Navail	Avail	Avail	Avail	Avail	Avail	Avail	Avail
	AV	Avail/Navail	Avail	Avail	Avail	Avail	Avail	Avail	Avail	Avail	Avail	Avail
Scart	Avail/Navail	Avail	Avail	Avail	Avail	Avail	Avail	Avail	Avail	Avail	Avail	
Component	Avail/Navail	Avail	Avail	Avail	Avail	Avail	Avail	Avail	Avail	Avail	Avail	
S-VHS	Avail/Navail	Avail	Avail	Avail	Avail	Avail	Avail	Avail	Avail	Avail	Avail	
TV Configuration Code 2356	Tuner		Eingebauten Tuner wählen / Select used tuner									
	OSD Selection	Grundig	Grundig	Grundig	Grundig	Grundig	Grundig	Grundig	Grundig	Grundig	Grundig	Grundig
	USB Recording	On/Off	On	On	On	On	On	On	On	On	On	On
	Remote Control		Fernbedienung wählen / Select used remote control									
	Keypad	Normal/TouchPad/ Joystick	Normal	Normal	Normal	Normal	Normal	Normal	Normal	Normal	Normal	Normal
	L	On/Off	On	On	On	On	On	On	On	On	On	On
	MEMC	On/Off	On	On	Off	On	On	On	On	On	On	On
	7 Segment Display	On/Off	Off	Off	Off	Off	Off	Off	Off	Off	Off	Off
	Eco TV	On/Off	On	On	On	On	On	On	On	On	On	On
	Line Out	On/Off	On	On	On	On	On	On	On	On	On	On
	Headphone	On/Off	On	On	On	On	On	On	On	On	On	On
	Shop Mode	On/Off	Off	Off	Off	Off	Off	Off	Off	Off	Off	Off
	Sports Mode	On/Off	Off	Off	Off	Off	Off	Off	Off	Off	Off	Off
	Cabin Option	1	1	1	1	1	1	1	1	1	1	1
Speaker Out Power	3, 5, 7, 10, 15 Watt	10 Watt	10 Watt	10 Watt	10 Watt	10 Watt	10 Watt	10 Watt	10 Watt	10 Watt	10 Watt	
Subwoofer Output	Woofer 1, 2, 3/Off	Off	Off	Off	Off	Off	Off	Off	Off	Off	Off	
EPG Padding Time	On/Off	On	On	On	On	On	On	On	On	On	On	
EMC Adjust- ments Code 2356	AGC VHF	0...15	9	9	9	9	9	9	9	9	9	9
	AGC SECAM VHF	0...15	10	10	10	10	10	10	10	10	10	10
	AGC UHF	0...15	10	10	10	10	10	10	10	10	10	10
	AGC SECAM UHF	0...15	10	10	10	10	10	10	10	10	10	10
	AGC LPrime	0...15	10	10	10	10	10	10	10	10	10	10

Alle weiteren Menüs werden über die Gerätesoftware programmiert und dürfen nicht verstellt werden.
All other menus are programmed by the software of the set and must not be adjusted.

Menü Menu ^ v	Menüpunkt Point of Menu ● (OK)	Einstellung Adjustment < >	Fine Arts 40 S DL	Rom 40 VLE 8162 S DL	Rom 40 VLE 8163 S DL	42 VLC 4120 C	42 VLC 9040 S	42 VLC 9041 C	42 VLC 9140 S	Fine Arts 46 3D DL	Fine Arts 46 S DL	Fine Arts 55 3D DL	
System Configuration	TV Mode	Customer Factory	X	X	X	X	X	X	X	X	X	X	
	HDCP Verify		prüft HDCP im EEPROM / verifies HDCP in EEPROM										
	Debug Mode	On/Off	Off	Off	Off	Off	Off	Off	Off	Off	Off	Off	
	Plug Play	On	ATS Reset: Netz ein → Automatischer Sendersuchlauf / Power on → automatic programme search										
		Off	X	X	X	X	X	X	X	X	X	X	X
	ATS	On/Off	On	On	On	On	On	On	On	On	On	On	On
	SRS	On/Off	On	On	On	On	On	On	On	On	On	On	On
	Blue Back	On/Off	On	On	On	On	On	On	On	On	On	On	On
	Teletext	None/Top/Fast/ Fast Top	Fast Top	Fast Top	Fast Top	Fast Top	Fast Top	Fast Top	Fast Top	Fast Top	Fast Top	Fast Top	Fast Top
	Panorama	On/Off	On	On	On	On	On	On	On	On	On	On	On
	Hotel	On/Off	Off	Off	Off	Off	Off	Off	Off	Off	Off	Off	Off
	Mirror	On/Off	entsprechend dem Bild einstellen / adjust dependent of the picture										
	CI PLUS	On/Off	On	Off	Off	On	On	On	On	On	On	On	On
	CI Key	Product	Product	Product	Product	Product	Product	Product	Product	Product	Product	Product	Product
CI Key Verify		prüft CI Key / verifies CI Key											
Source Configuration Code 2356	ATV	Avail/Navail	Avail	Avail	Avail	Avail	Avail	Avail	Avail	Avail	Avail	Avail	
	Air	Avail/Navail	Avail	Avail	Avail	Avail	Avail	Avail	Avail	Avail	Avail	Avail	
	Cable	Avail/Navail	Avail	Avail	Avail	Avail	Avail	Avail	Avail	Avail	Avail	Avail	
	Satellite	Avail/Navail	Avail	Avail	Avail	Navail	Avail	Navail	Avail	Avail	Avail	Avail	
	USB	Avail/Navail	Avail	Avail	Avail	Avail	Avail	Avail	Avail	Avail	Avail	Avail	
	PC	Avail/Navail	Avail	Avail	Avail	Avail	Avail	Avail	Avail	Avail	Avail	Avail	
	HDMI1	Avail/Navail	Avail	Avail	Avail	Avail	Avail	Avail	Avail	Avail	Avail	Avail	
	HDMI2	Avail/Navail	Avail	Avail	Avail	Avail	Avail	Avail	Avail	Avail	Avail	Avail	
	HDMI3	Avail/Navail	Avail	Avail	Avail	Avail	Avail	Avail	Avail	Avail	Avail	Avail	
	HDMI4	Avail/Navail	Avail	Avail	Avail	Navail	Avail	Avail	Avail	Avail	Avail	Avail	
	AV	Avail/Navail	Avail	Avail	Avail	Avail	Avail	Avail	Avail	Avail	Avail	Avail	
	Scart	Avail/Navail	Avail	Avail	Avail	Avail	Avail	Avail	Avail	Avail	Avail	Avail	
Component	Avail/Navail	Avail	Avail	Avail	Avail	Avail	Avail	Avail	Avail	Avail	Avail		
S-VHS	Avail/Navail	Avail	Avail	Avail	Avail	Avail	Avail	Avail	Avail	Avail	Avail		
TV Configuration Code 2356	Tuner		Eingebauten Tuner wählen / Select used tuner										
	OSD Selection	Grundig	Grundig	Grundig	Grundig	Grundig	Grundig	Grundig	Grundig	Grundig	Grundig	Grundig	
	USB Recording	On/Off	On	On	On	On	On	On	On	On	On	On	
	Remote Control		Fernbedienung wählen / Select used remote control										
	Keypad	Normal/TouchPad/ Joystick	Normal	Normal	Normal	Normal	Normal	Normal	Normal	Normal	Normal	Normal	
	L	On/Off	On	On	On	On	On	On	On	On	On	On	On
	MEMC	On/Off	On	On	On	Off	On	On	On	On	On	On	On
	7 Segment Display	On/Off	Off	Off	Off	Off	Off	Off	Off	Off	Off	Off	Off
	Eco TV	On/Off	On	On	On	On	On	On	On	On	On	On	On
	Line Out	On/Off	On	On	On	On	On	On	On	On	On	On	On
	Headphone	On/Off	On	On	On	On	On	On	On	On	On	On	On
	Shop Mode	On/Off	Off	Off	Off	Off	Off	Off	Off	Off	Off	Off	Off
	Sports Mode	On/Off	Off	Off	Off	Off	Off	Off	Off	Off	Off	Off	Off
	Cabin Option	1	1	1	1	1	1	1	1	1	1	1	
Speaker Out Power	3, 5, 7, 10, 15 Watt	10 Watt	10 Watt	10 Watt	10 Watt	10 Watt	10 Watt	10 Watt	10 Watt	10 Watt	10 Watt	10 Watt	
Subwoofer Output	Woofer 1, 2, 3/Off	Off	Off	Off	Off	Off	Off	Off	Off	Off	Off	Off	
EPG Padding Time	On/Off	On	On	On	On	On	On	On	On	On	On	On	
EMC Adjust- ments Code 2356	AGC VHF	0...15	9	9	9	9	9	9	9	9	9	9	
	AGC SECAM VHF	0...15	10	10	10	10	10	10	10	10	10	10	
	AGC UHF	0...15	10	10	10	10	10	10	10	10	10	10	
	AGC SECAM UHF	0...15	10	10	10	10	10	10	10	10	10	10	
	AGC LPrime	0...15	10	10	10	10	10	10	10	10	10	10	

Alle weiteren Menüs werden über die Gerätesoftware programmiert und dürfen nicht verstellt werden. / All other menus are programmed by the software of the set and must not be adjusted.

2. Software-Versionsnummer

Die Software-Versionsnummer wird unten im Menü Einstellungen und im Service Menü angezeigt, z.B.: SXGRMR.-.-F.-V07.020.00

2. Software Version Number

The software version number is shown on the lower part of the options menu and the service menu, e.g.: SXGRMR.-.-F.-V07.020.00

3. Programmsuchlauf

- Taste i (COMFORT GUIDE) drücken.
- "Installation" mit Joystick ^ v anwählen und mit > bestätigen.
- "Automatischer Suchlauf" mit Joystick > bestätigen.
- Gewünschtes Land mit Joystick <> auswählen.
- "Suchtyp" mit Joystick v anwählen und mit <> einstellen.
- "Zeitzone" mit Joystick v anwählen und mit <> einstellen.
- "TV-Anschlusstyp" (optional) mit Joystick v anwählen und mit <> einstellen (optional).
- "Programmsuchlauf" durch drücken auf den Joystick ● starten. Das automatische Sendersuchsystem stoppt bei jedem empfangswürdigen Sender (AFC und Koinzidenz) und speichert automatisch die entsprechenden Senderdaten mit dem jeweiligen Standard. Danach wird der Suchlauf fortgesetzt.

Zum Abbrechen des Suchlaufes die Taste i drücken.

3. Channel Search

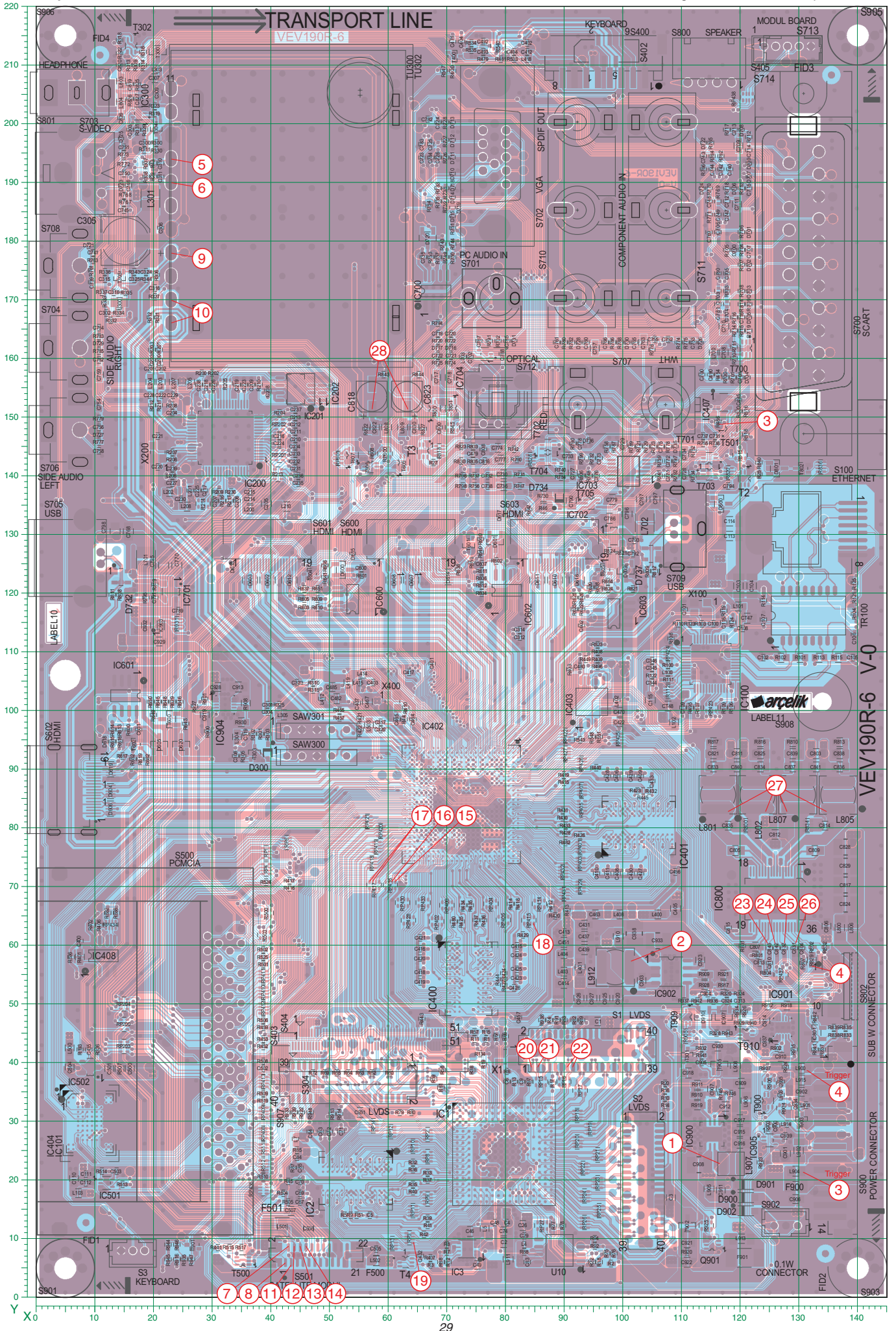
- Press button i (COMFORT GUIDE).
- Select "Channel setup" with joystick ^ v and confirm with >.
- Select "Auto Tuning" with joystick >.
- Select the required Country with joystick <>.
- Select "Scan Type" with joystick v and adjust with <>.
- Select "Time Zone" with joystick v and adjust with <>.
- Select "TV Connection Type" (optionally) with joystick v and adjust with <>.
- Start "Channel setup" with pressing to joystick ●. The auto programme system stops at every station of acceptable reception quality (AFC and coincidence) and stores the station data and the respective standard automatically. The system then continues searching.

Pressing the i button stops the programme search.

POS.	X	Y	POS.	X	Y	POS.	X	Y	POS.	X	Y	POS.	X	Y	POS.	X	Y	POS.	X	Y											
R453	T	39	44	R703	T	118	172	R800	T	121	80	RP1	T	39	76	S709	T	111	131	TP40	B	103	25	TP135	B	72	41	TP232	B	119	72
R454	T	116	157	R704	T	120	179	R801	T	123	58	RP2	T	67	28	S710	T	93	185	TP41	B	98	24	TP136	B	61	40	TP233	B	63	184
R455	T	52	100	R705	T	118	179	R802	T	132	60	RP3	T	64	10	S711	T	106	185	TP42	B	101	24	TP137	B	75	41	TP234	B	70	178
R457	T	52	99	R706	T	120	182	R803	T	75	145	RP4	T	39	73	S712	T	79	152	TP43	B	103	22	TP138	B	71	37	TP235	B	73	178
R459	T	39	46	R707	T	120	176	R804	T	125	55	RP6	T	43	78	S713	T	126	213	TP44	B	103	20	TP139	B	75	39	TP236	B	73	182
R479	T	76	211	R708	T	120	172	R805	T	75	143	RP8	T	67	24	S714	T	131	176	TP45	B	98	20	TP140	B	70	35	TP237	B	83	195
R480	T	71	64	R709	T	122	169	R806	T	93	140	RP9	T	67	17	S800	T	115	207	TP46	B	98	18	TP141	B	73	37	TP238	B	83	192
R481	T	79	211	R710	T	119	160	R807	T	131	57	RP10	T	64	26	S801	T	2	205	TP47	B	101	18	TP142	B	68	38	TP239	B	65	178
R482	T	90	78	R711	T	119	162	R808	T	14	120	RP11	T	64	15	S802	T	136	53	TP48	B	103	17	TP143	B	58	39	TP240	B	14	122
R486	T	116	149	R712	T	122	198	R809	T	104	124	RP12	T	61	28	S900	T	138	27	TP49	B	98	15	TP144	B	63	39	TP241	B	68	178
R495	T	112	101	R713	T	120	189	R810	T	129	95	RP13	T	61	9	S901	T	5	5	TP50	B	101	15	TP145	B	135	40	TP242	B	8	174
R496	T	96	108	R714	T	119	165	R811	T	13	120	RP14	T	58	29	S902	T	128	12	TP51	B	103	14	TP146	B	127	37	TP243	B	107	200
R500	T	39	66	R715	T	120	165	R812	T	105	124	RP15	T	86	37	S903	T	140	5	TP52	B	105	14	TP147	B	56	39	TP244	B	133	18
R501	T	39	57	R716	T	119	167	R813	T	137	95	RP16	T	90	37	S905	T	140	215	TP53	B	101	13	TP148	B	56	42	TP245	B	111	32
R502	T	39	59	R717	T	118	199	R814	T	120	169	RP17	T	93	35	S906	T	5	215	TP54	B	105	12	TP149	B	54	40	TP246	B	11	186
R503	T	39	62	R718	T	118	189	R815	T	120	144	RP18	T	92	31	S907	T	53	37	TP55	B	103	12	TP150	B	108	16	TP247	B	111	188
R504	T	42	18	R719	T	122	165	R816	T	124	95	RP19	T	95	29	S908	T	134	102	TP56	B	109	12	TP151	B	74	34	TP248	B	10	192
R505	T	43	16	R720	T	69	163	R817	T	116	95	RP20	T	92	27	SAW300	T	43	92	TP57	B	101	10	TP152	B	74	31	TP249	B	107	170
R506	T	39	47	R721	T	103	145	R818	T	69	144	RP21	T	96	24	SAW301	T	43	97	TP58	B	109	10	TP153	B	54	48	TP250	B	10	148
R507	T	14	39	R722	T	71	163	R819	T	20	122	RP22	T	93	22	T2	T	121	140	TP59	B	81	19	TP154	B	123	93	TP251	B	89	173
R508	T	39	40	R723	T	105	145	R820	T	118	141	RP23	T	96	20	T3	T	66	144	TP60	B	82	17	TP155	B	128	24	TP252	B	8	159
R509	T	39	35	R724	T	71	159	R821	T	100	127	RP24	T	94	17	T4	T	63	6	TP61	B	83	19	TP156	B	51	47	TP253	B	89	183
R510	T	39	21	R725	T	69	159	R822	T	56	148	RP25	T	96	15	T300	T	21	212	TP62	B	85	17	TP157	B	50	39	TP254	B	109	123
R511	T	39	25	R726	T	70	194	R823	T	73	145	RP26	T	94	13	T301	T	111	41	TP63	B	102	67	TP158	B	137	22	TP255	B	89	198
R512	T	39	23	R727	T	70	197	R824	T	98	127	RP27	T	86	12	T302	T	16	213	TP64	B	75	47	TP159	B	38	9	TP256	B	14	130
R513	T	15	19	R728	T	70	200	R825	T	17	207	RP200	T	15	47	T303	T	37	93	TP65	B	15	111	TP160	B	50	35	TP257	B	103	124
R514	T	11	22	R729	T	104	145	R826	T	16	204	RP201	T	42	144	T304	T	21	199	TP66	B	91	44	TP161	B	126	10	TP258	B	137	93
R515	T	33	9	R730	T	87	137	R827	T	66	148	RP202	T	42	149	T305	T	14	174	TP67	B	72	47	TP162	B	52	43	TP259	B	81	130
R516	T	121	151	R731	T	83	140	R828	T	84	143	RP203	T	15	43	T400	T	71	212	TP68	B	82	47	TP163	B	49	43	TP260	B	14	127
R517	T	35	9	R732	T	95	143	R829	T	132	58	RP204	T	15	50	T500	T	35	6	TP69	B	80	47	TP164	B	59	43	TP261	B	111	132
R518	T	121	147	R733	T	69	189	R830	T	73	143	RP400	T	70	67	T501	T	119	148	TP70	B	93	9	TP165	B	57	44	TP262	B	14	125
R519	T	39	34	R734	T	112	140	R831	T	120	60	RP401	T	93	77	T600	T	23	99	TP71	B	77	47	TP166	B	68	61	TP263	B	111	130
R520	T	120	151	R735	T	69	187	R832	T	135	60	RP402	T	68	64	T601	T	74	128	TP72	B	116	149	TP167	B	67	45	TP264	B	16	119
R523	T	96	111	R736	T	116	146	R833	T	138	45	RP403	T	93	74	T602	T	17	94	TP73	B	87	45	TP168	B	91	55	TP265	B	17	123
R524	T	39	71	R737	T	75	140	R834	T	132	80	RP404	T	78	67	T603	T	97	124	TP74	B	139	78	TP169	B	116	35	TP266	B	101	127
R525	T	39	58	R738	T	70	189	R835	T	138	46	RP405	T	93	84	T604	T	47	123	TP75	B	118	93	TP170	B	130	33	TP267	B	94	130
R532	T	12	66	R739	T	70	187	R836	T	134	142	RP406	T	80	64	T605	T	63	142	TP76	B	121	93	TP171	B	32	109	TP268	B	11	61
R533	T	82	211	R740	T	90	141	R837	T	134	42	RP407	T	93	87	T606	T	57	142	TP77	B	134	93	TP172	B	93	56	TP269	B	128	211
R534	T	74	214	R741	T	106	140	R838	T	136	45	RP408	T	39	28	T607	T	54	144	TP78	B	132	93	TP174	B	118	41	TP270	B	29	152
R535	T	74	213	R742	T	82	145	R839	T	136	46	RP409	T	39	32	T700	T	121	162	TP79	B	12	209	TP175	B	48	73	TP271	B	81	137
R536	T	6	58	R743	T	69	180	R840	T	123	142	RP410	T	39	52	T701	T	115	143	TP80	B	14	88	TP176	B	91	63	TP272	B	30	123
R538	T	14	66	R744	T	71	180	R841	T	133	42	RP411	T	39	55	T702	T	87	145	TP81	B	7	208	TP177	B	96	99	TP273	B	95	121
R540	T	79	213	R745	T	117	35	R842	T	133	48	RP412	T	39	49	T703	T	115	140	TP82	B	16	22	TP178	B	98	67	TP274	B	56	142
R543	T	93	95	R746	T	119	35	R843	T	59	157	RP413	T	39	37	T704	T	87	143	TP83	B	6	39	TP179	B	88	66	TP275	B	27	150
R547	T	70	209	R747	T	83	138	R844	T	65	157	RP414	T	86	67	T705	T	95	135	TP84	B	19	39	TP180	B	97	106	TP276	B	26	153
R548	T	95	96	R748	T	94	140	R845	T	71	148	RP415	T	84	64	T800	T	68	152	TP85	B	137	36	TP181	B	95	105	TP277	B	26	141
R551	T	96	96	R749	T	70	177	R900	T	29	97	RP416	T	60	70	T801	T	71	152	TP86	B	31	137	TP182	B	91	95	TP278	B	27	145
R600	T	16	97	R750	T	71	177	R901	T	29	102	RP417	T	58	70	T802	T	131	141	TP87	B	43	132	TP183	B	94	98	TP279	B	17	196
R601	T	56	123	R751	T	71	182	R902	T	26	43	RP418	T	57	74	T900	T	125	34	TP88	B	24	138	TP184	B	96	108	TP280	B	18	190
R602	T	79	126	R752	T	112	144	R903	T	125	29	RP419	T	58	77	T901	T	27	9	TP89	B	28	140	TP185	B	93	67	TP281	B	137	33
R603	T	46	118	R753	T	67	177	R904	T	128	32	RP420	T	59	80	T902	T	111	12	TP90	B	108	33	TP186	B	98	108	TP282	B	137	30
R604	T	76	120	R754	T	67	186	R905	T	111	45	RP421	T	57	81	T903	T	131	30	TP91	B	106	36	TP187	B	59	101	TP283	B	137	28
R605	T	46	119	R755	T	114	146	R906	T	125	37	RP422	T	90	96	T905	T	117	40	TP92	B	33	140	TP189	B	100	107	TP284	B	132	2

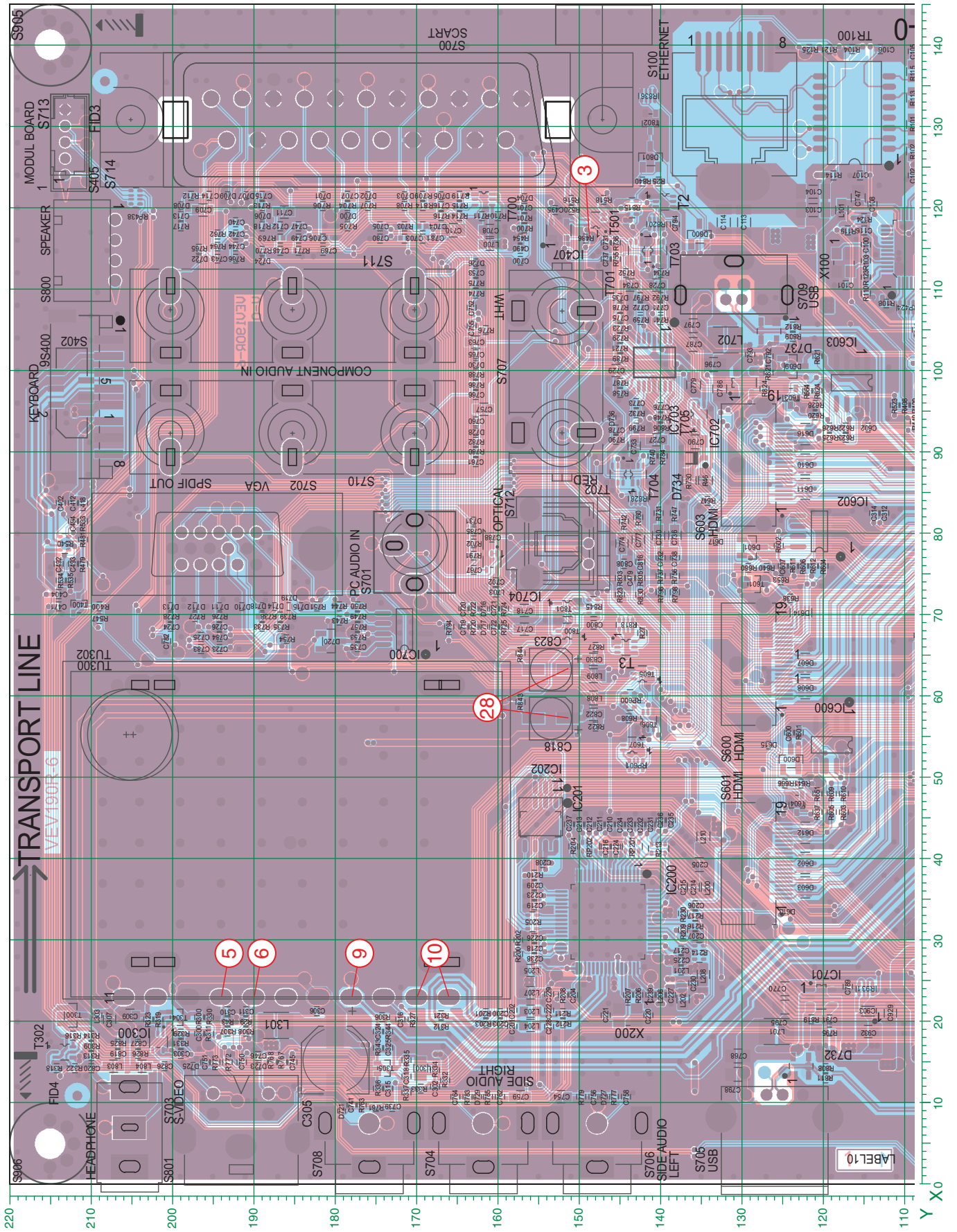
Chassisplatte / Chassis Board VEV190R-6

Ansicht von der Bestückungsseite / View of Component Side



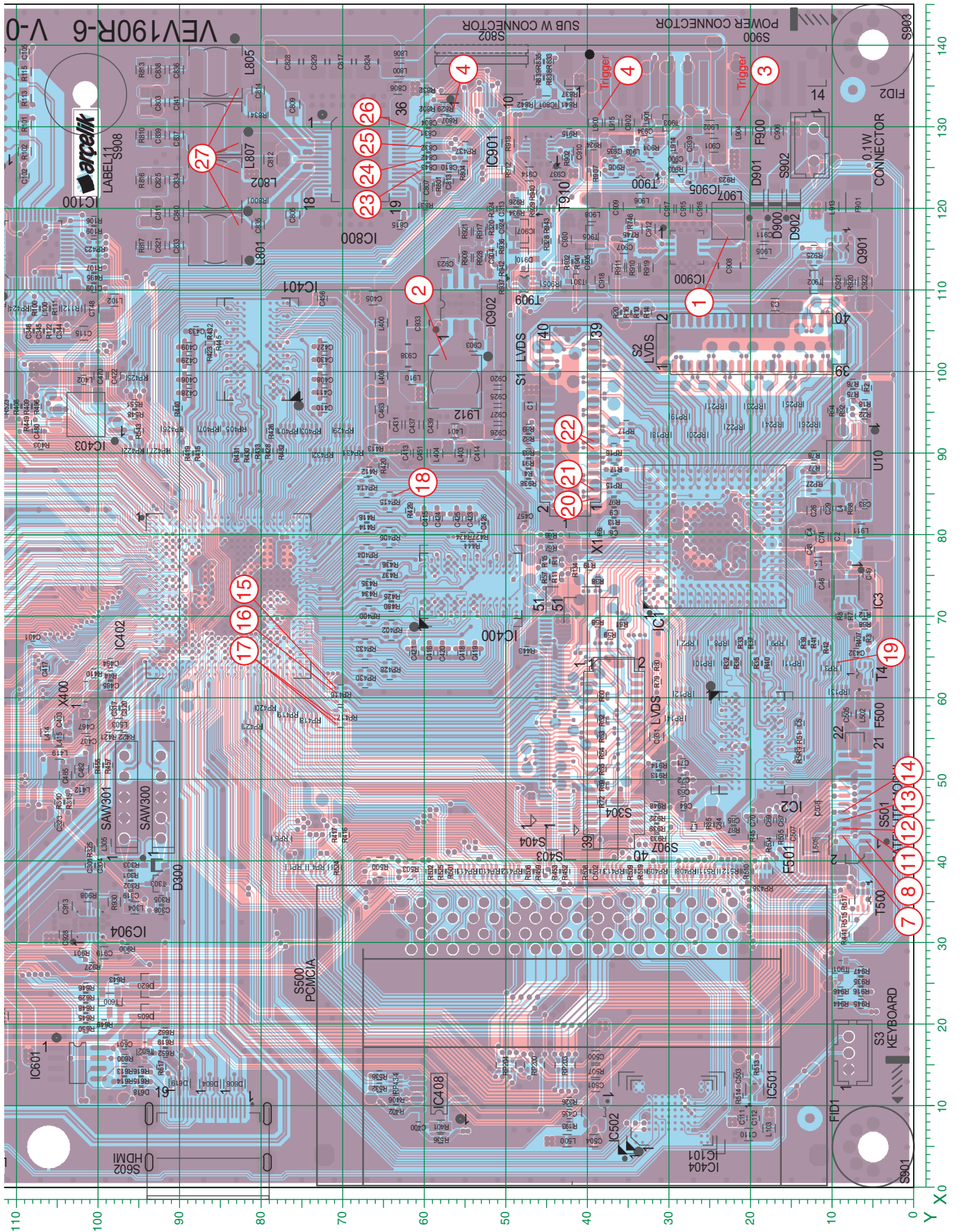
Chassisplatte / Chassis Board VEV190R-6

Ansicht von der Bestückungsseite / View of Component Side



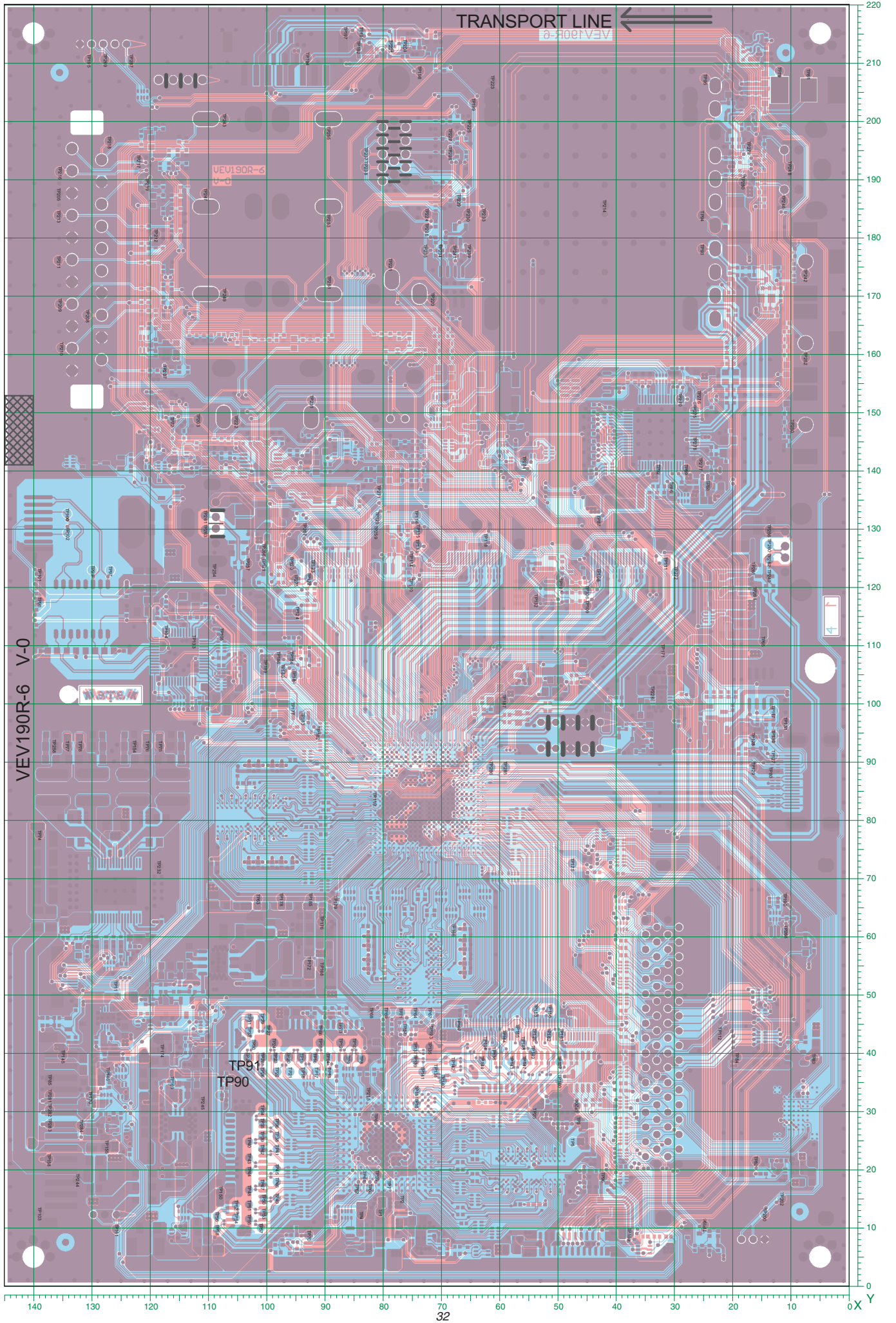
Chassisplatte / Chassis Board VEV190R-6

Ansicht von der Bestückungsseite / View of Component Side



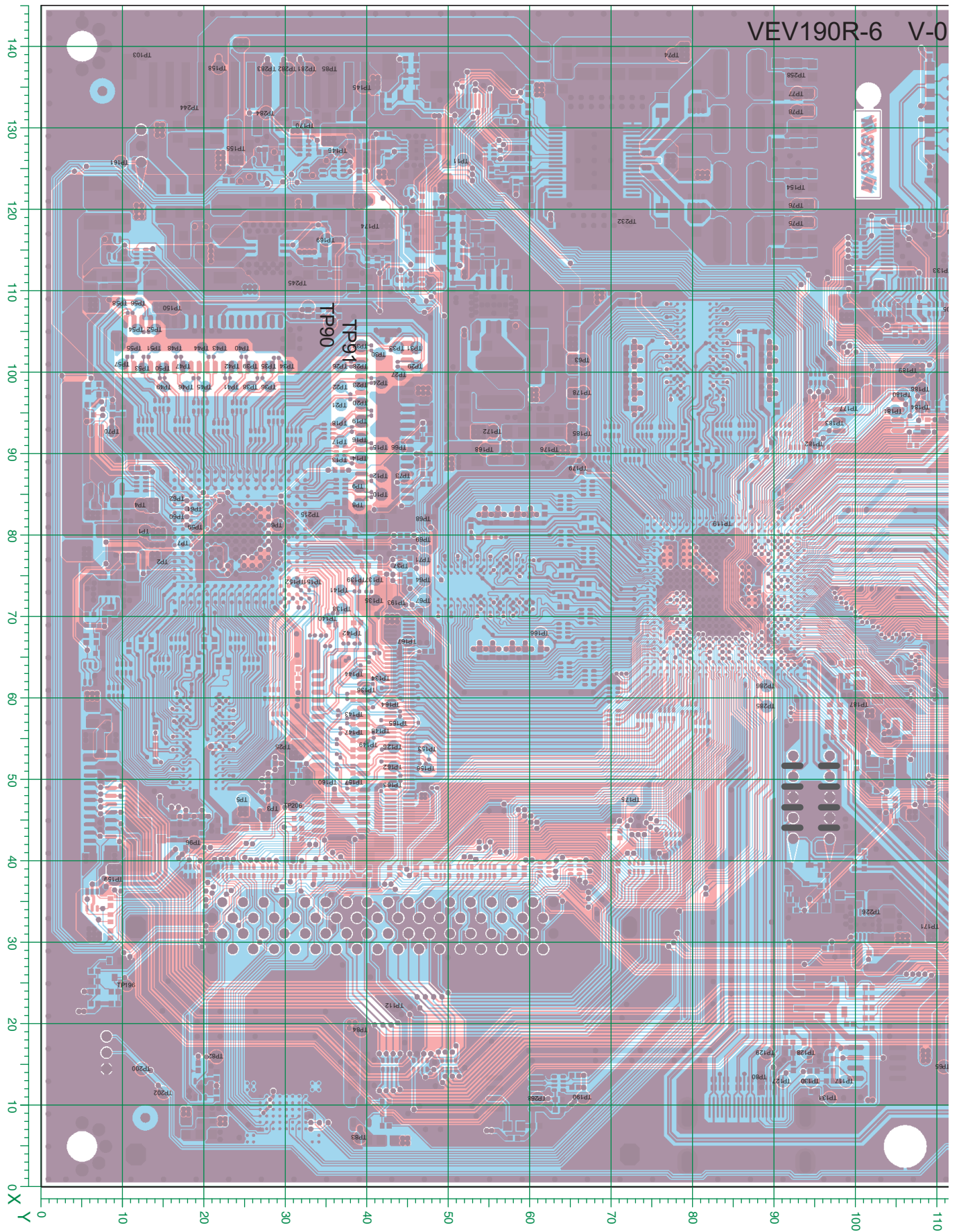
Chassisplatte / Chassis Board VEV190R-6

Ansicht von der Lötseite / View of Solder Side



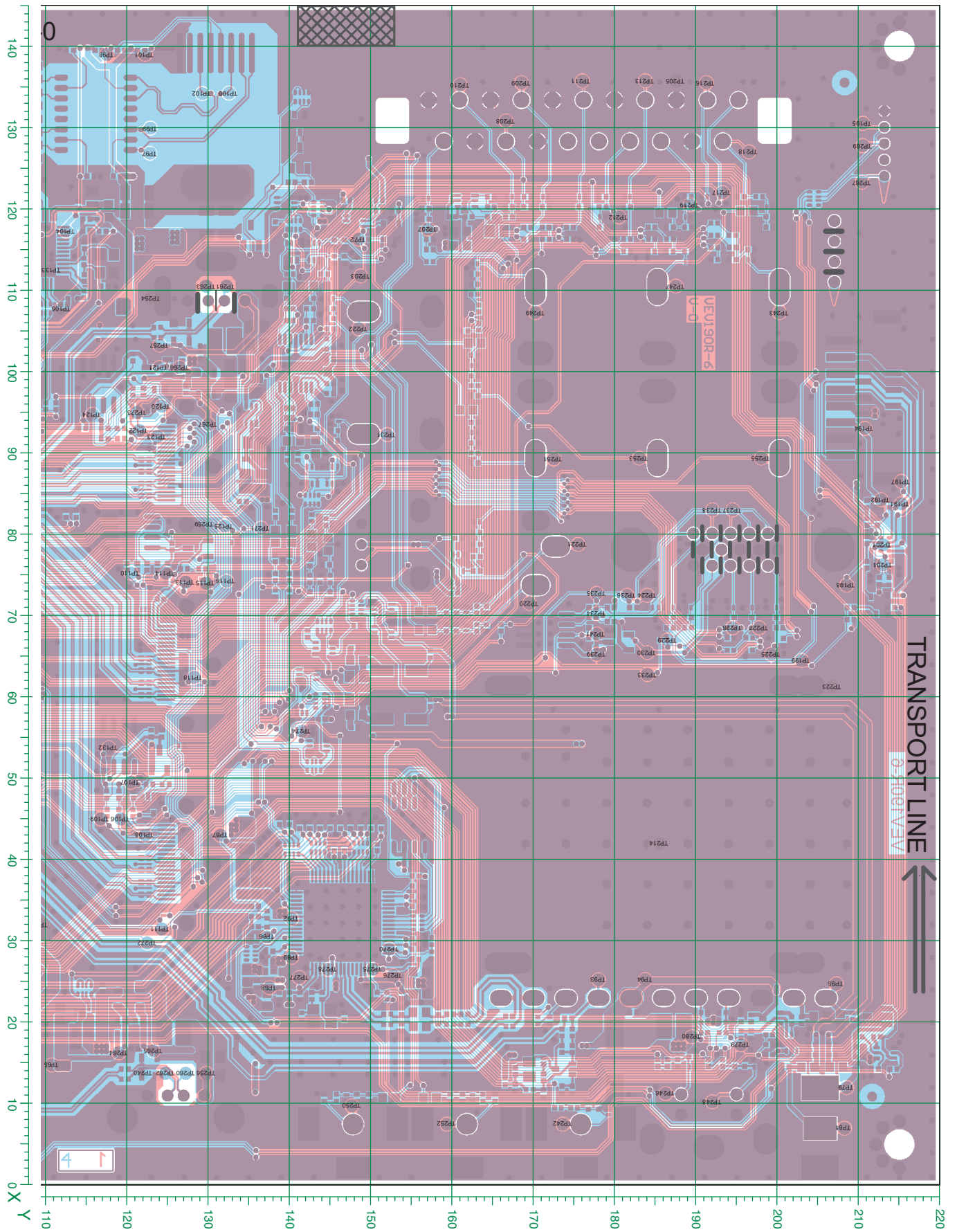
Chassisplatte / Chassis Board VEV190R-6

Ansicht von der Lötseite / View of Solder Side

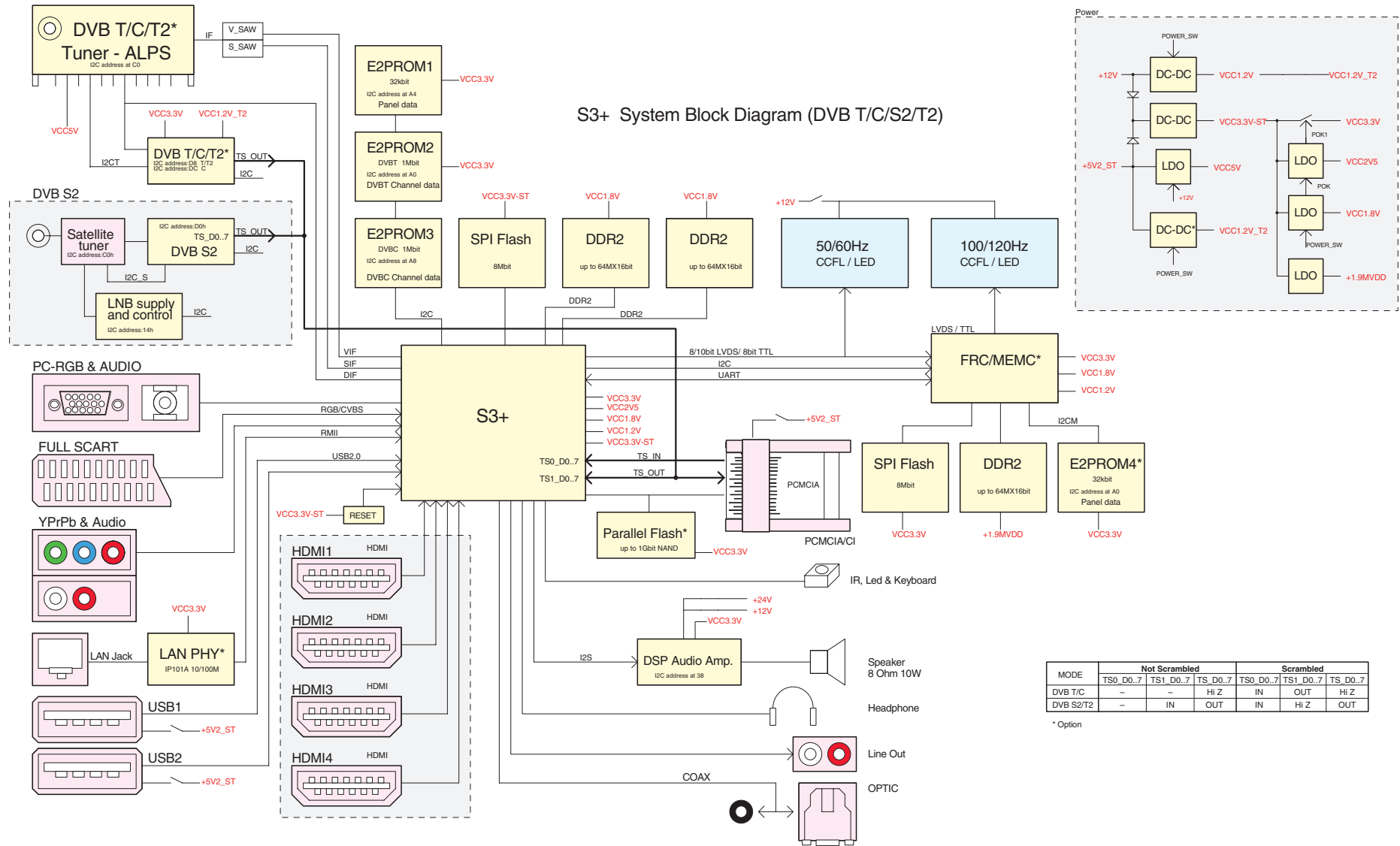


Chassisplatte / Chassis Board VEV190R-6

Ansicht von der Lötseite / View of Solder Side



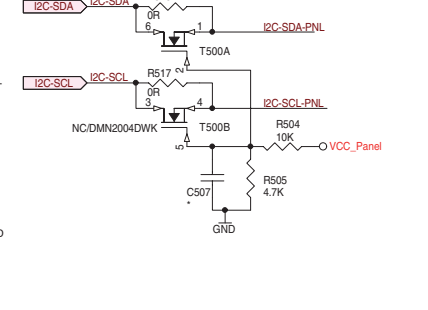
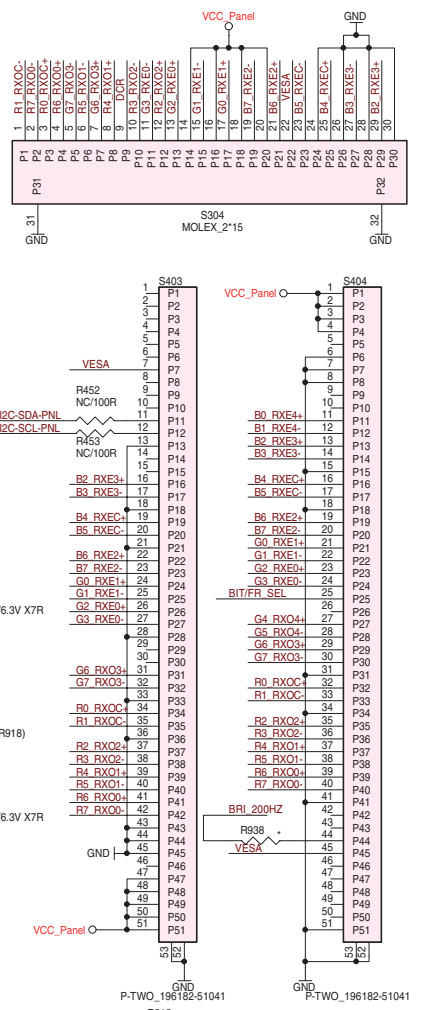
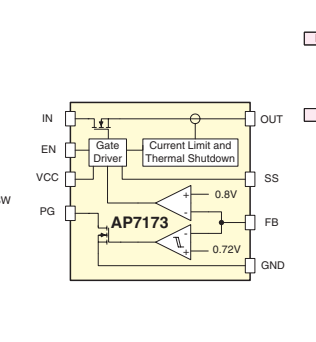
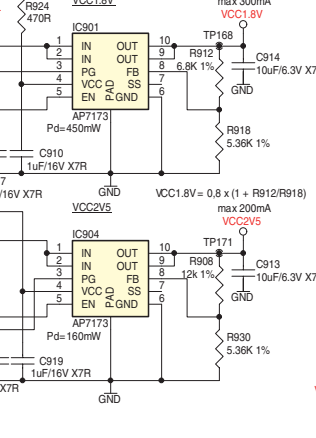
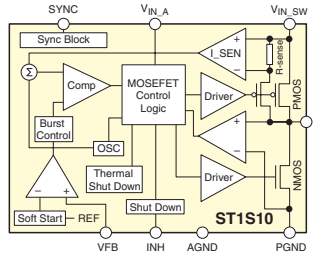
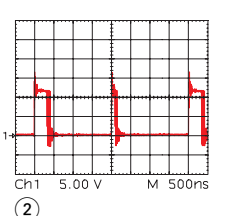
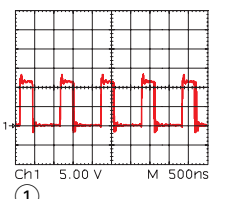
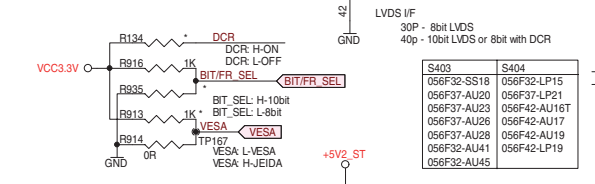
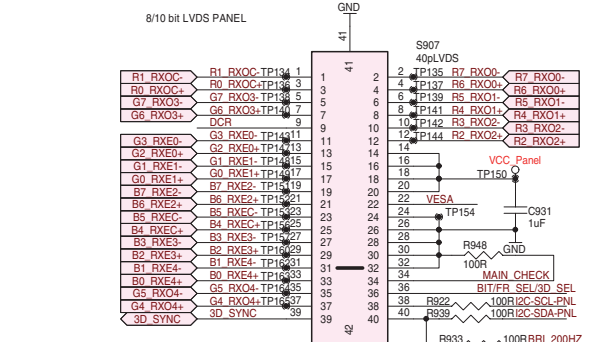
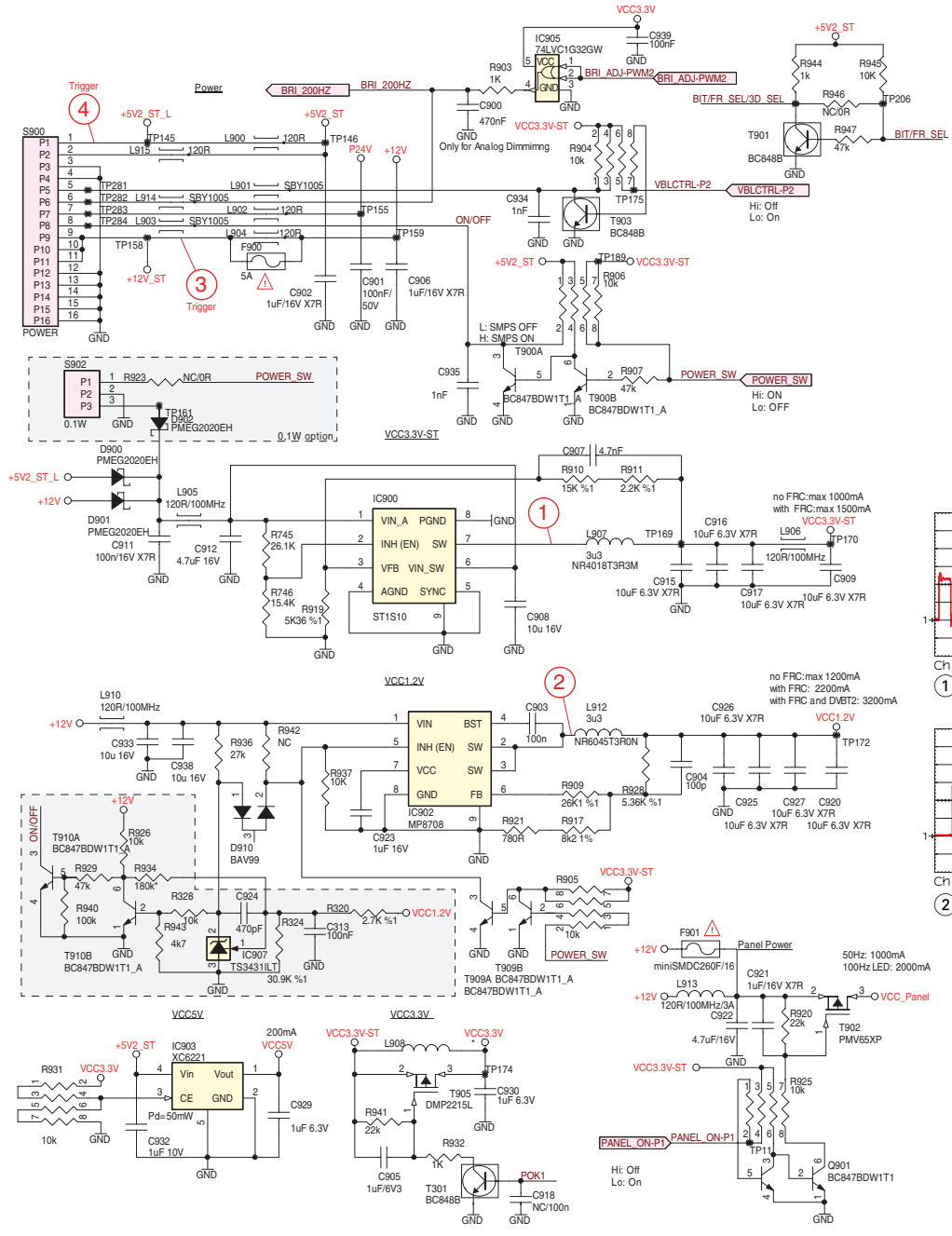
Chassisplatte – Blockschartplan / Chassis Board – Block Circuit Diagram



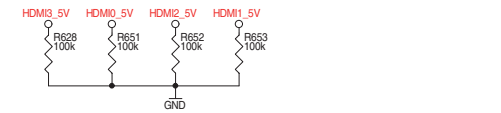
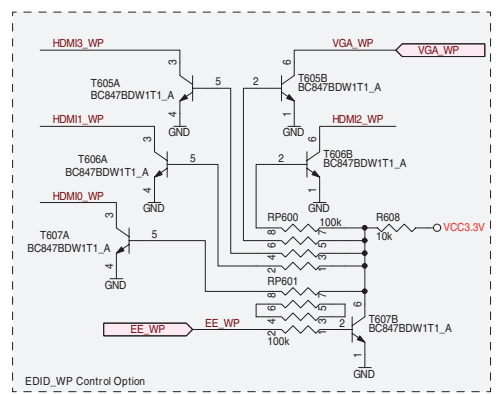
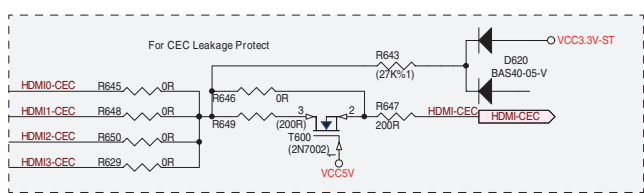
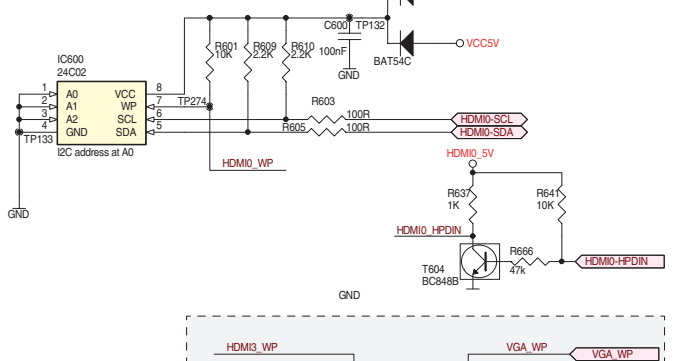
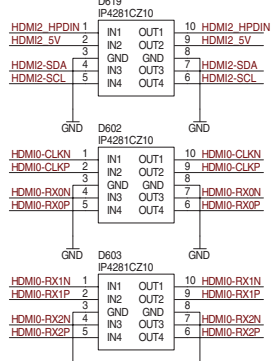
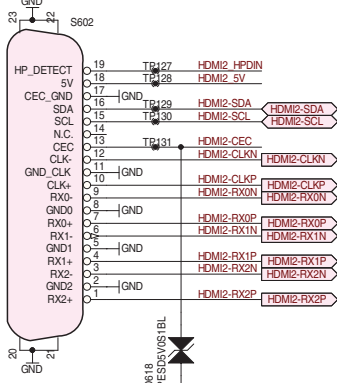
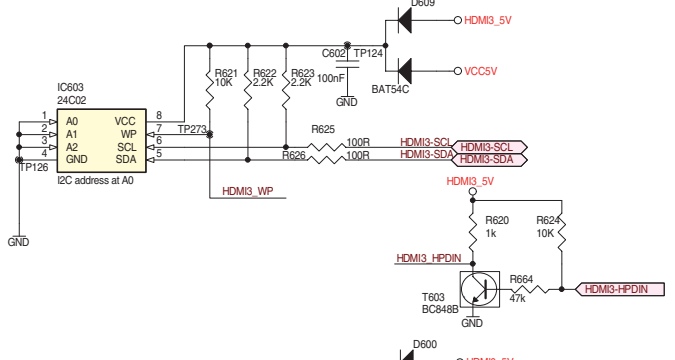
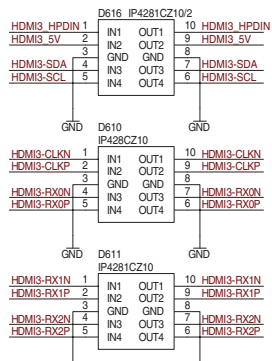
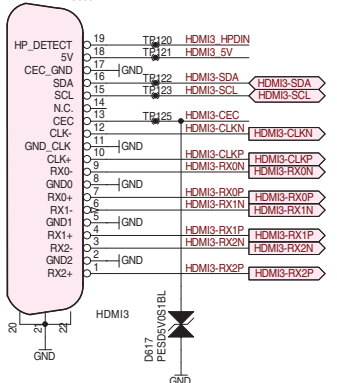
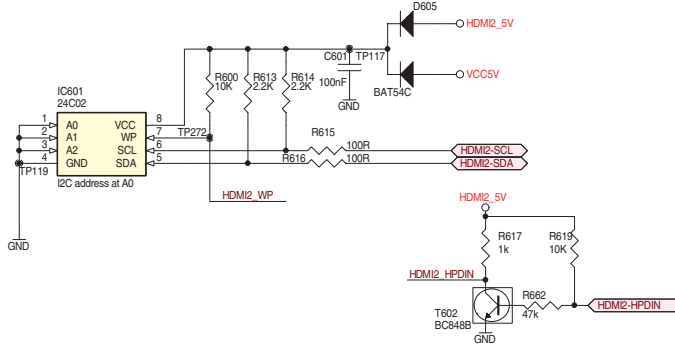
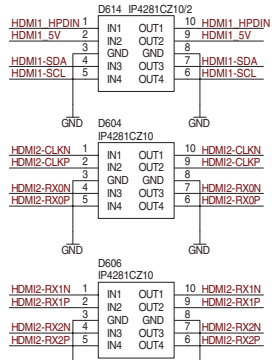
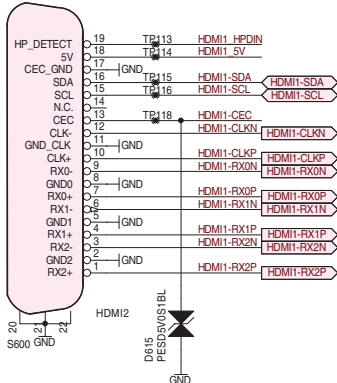
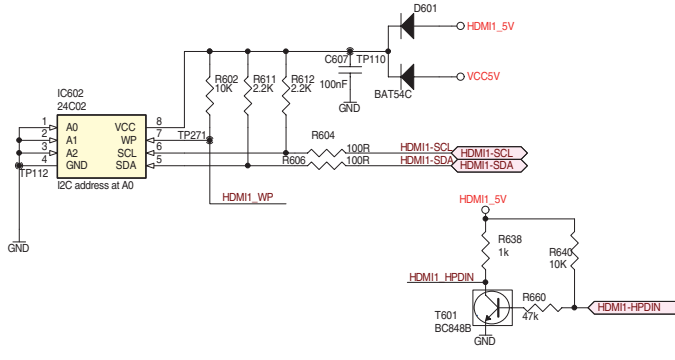
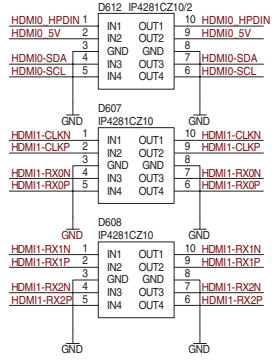
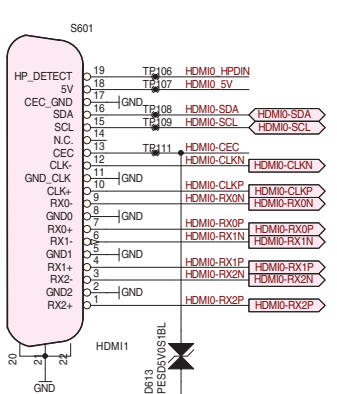
MODE	Not Scrambled			Scrambled		
	TS0_D0..7	TS1_D0..7	TS_D0..7	TS0_D0..7	TS1_D0..7	TS_D0..7
DVB T/C	-	-	Hi Z	IN	OUT	Hi Z
DVB S2/T2	-	IN	OUT	IN	Hi Z	OUT

* Option

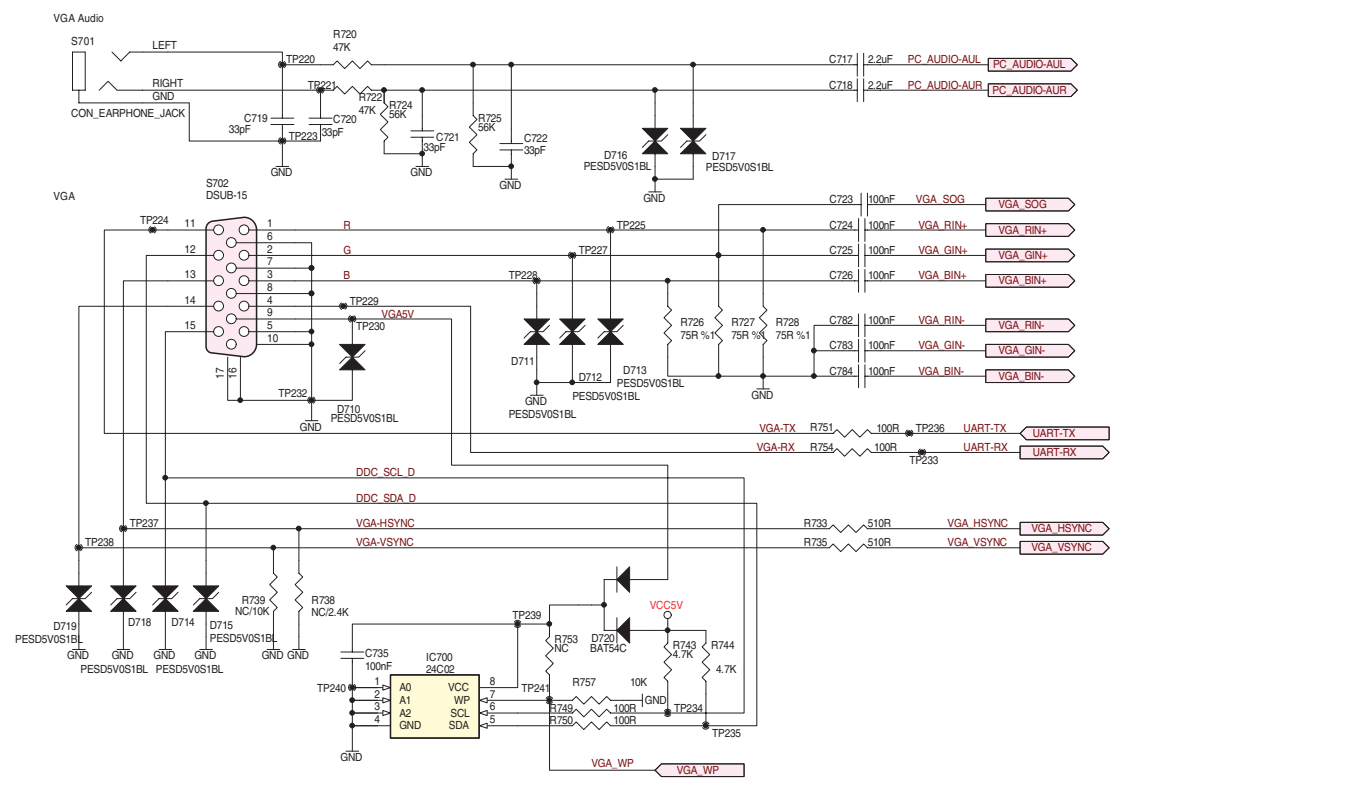
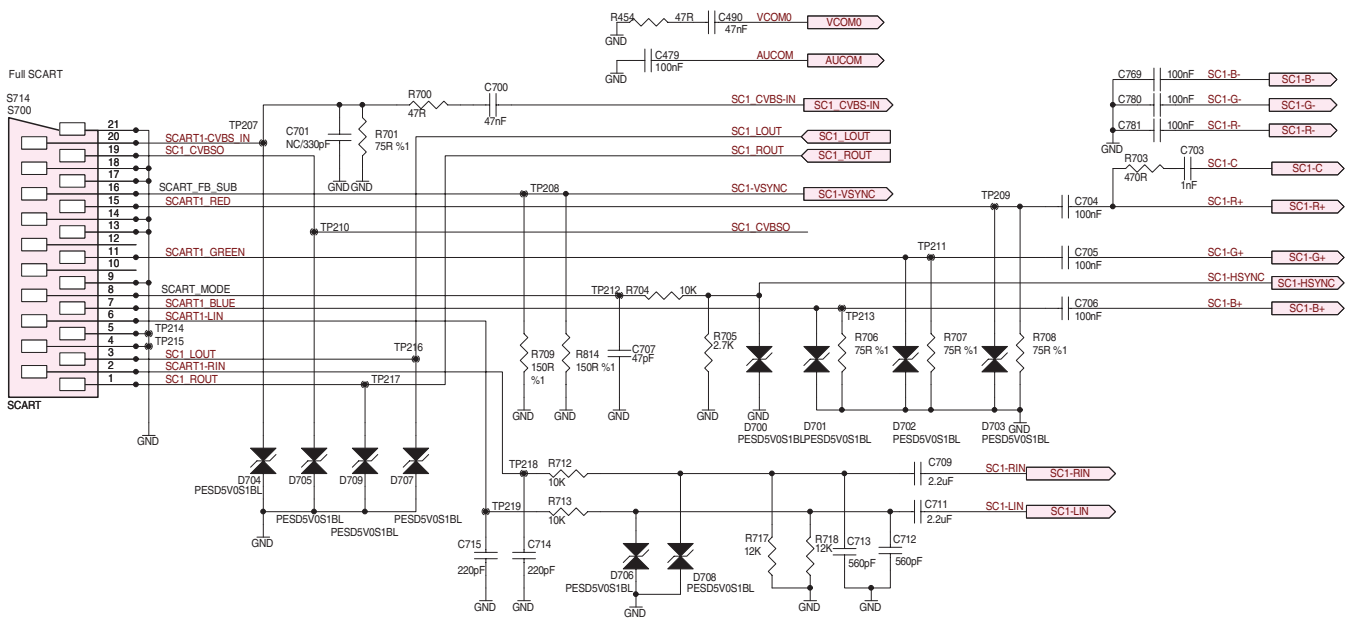
Chassisplatte – Netzteil, LVDS / Chassis Board – Power Supply, LVDS



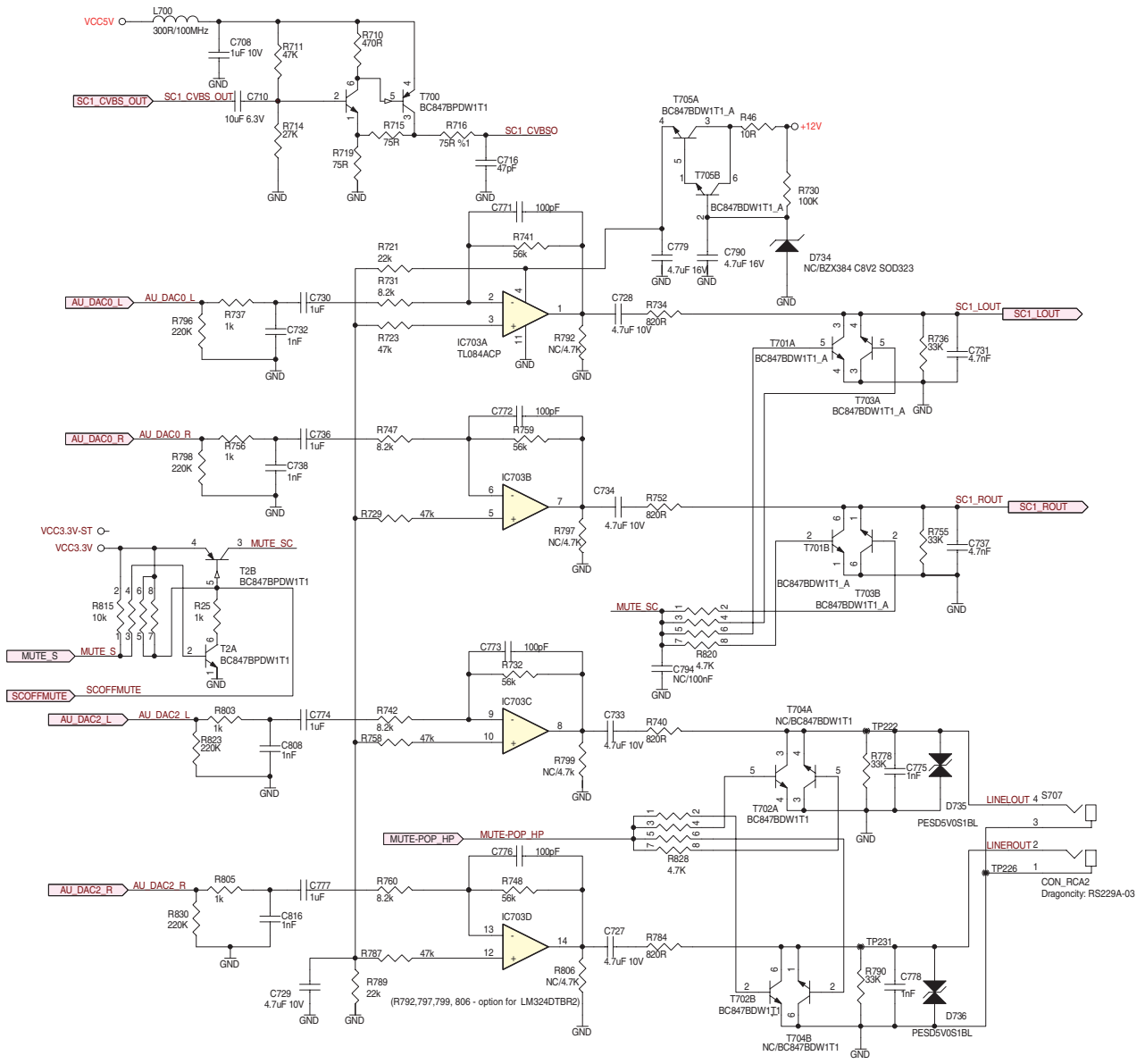
Chassisplatte / Chassis Board – HDMI



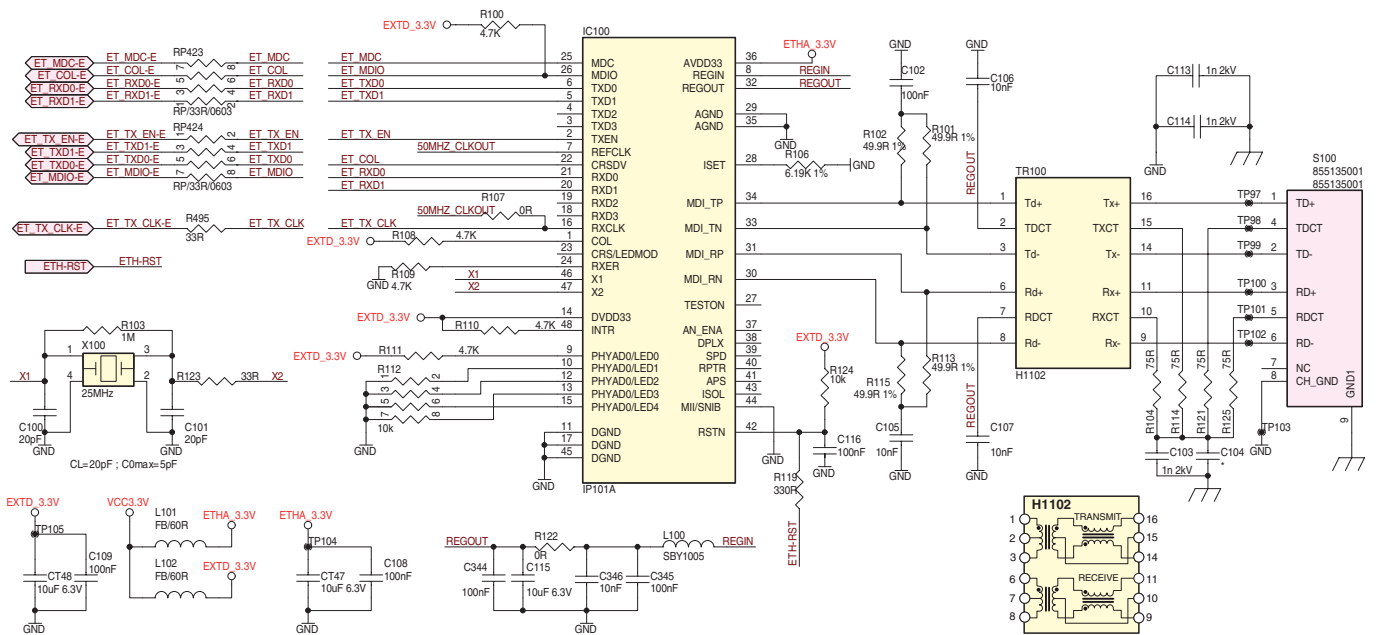
Chassisplatte / Chassis Board – SCART, VGA



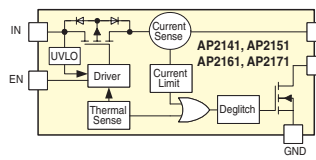
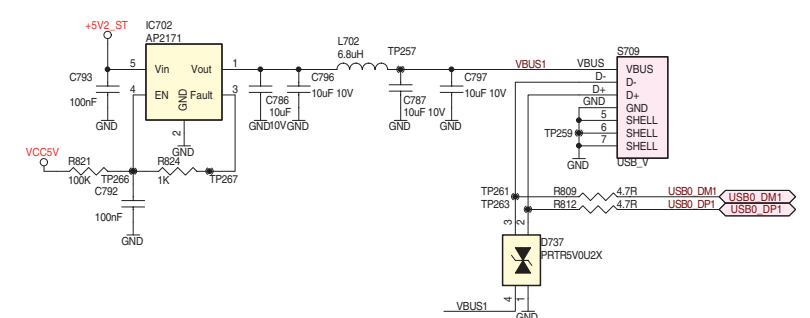
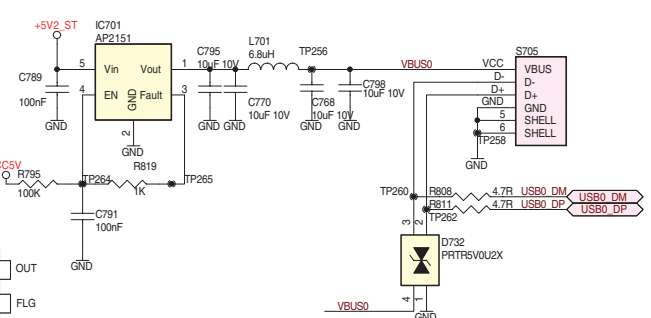
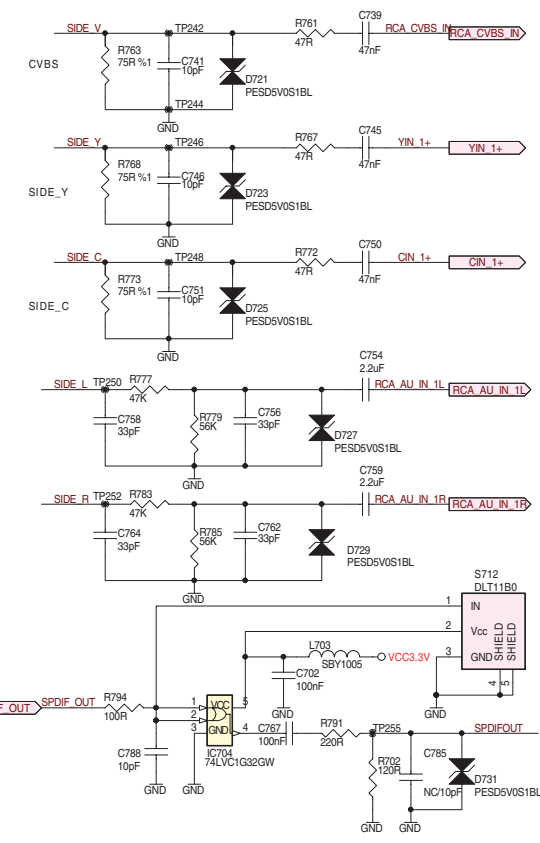
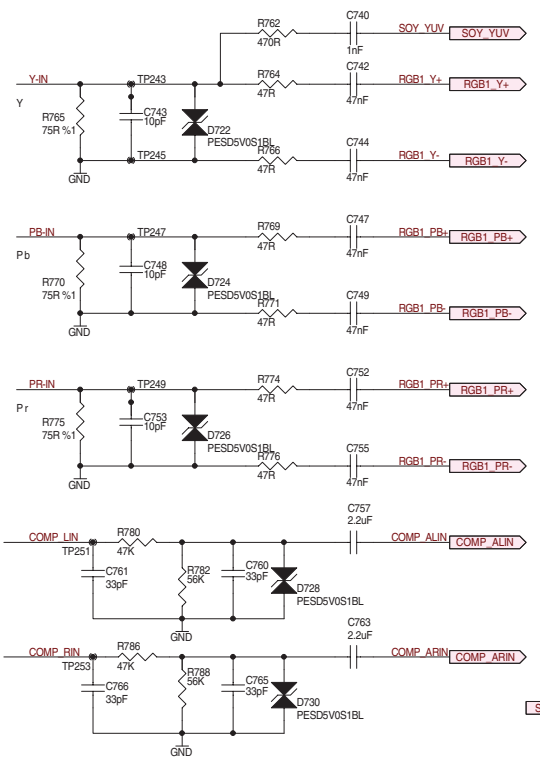
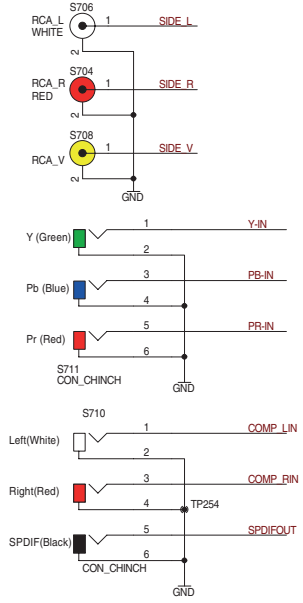
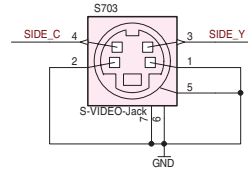
Chassisplatte / Chassis Board – SCART, VGA



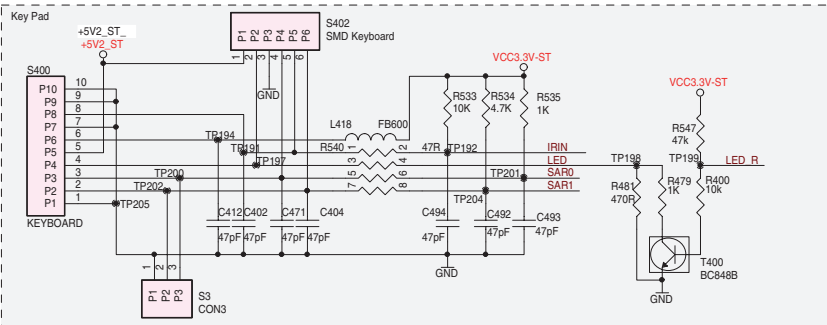
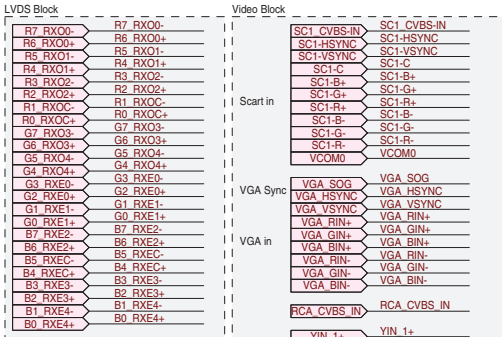
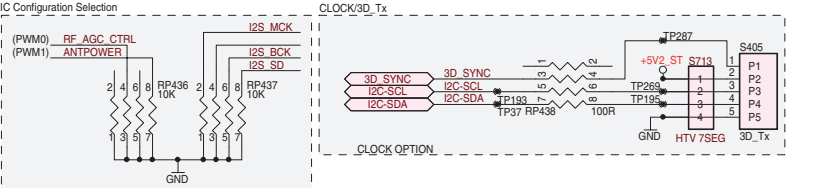
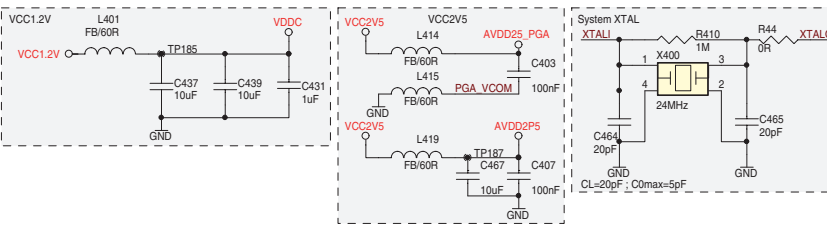
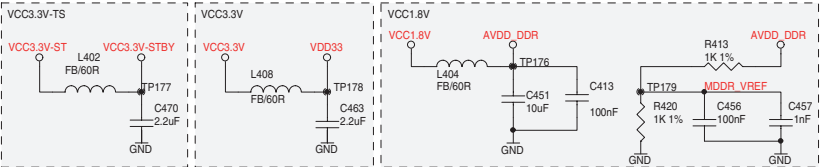
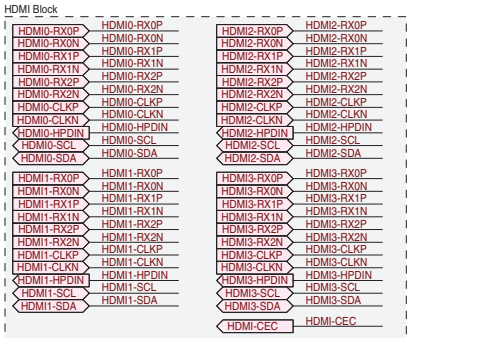
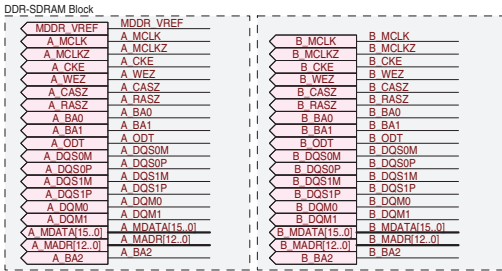
Chassisplatte / Chassis Board – LAN



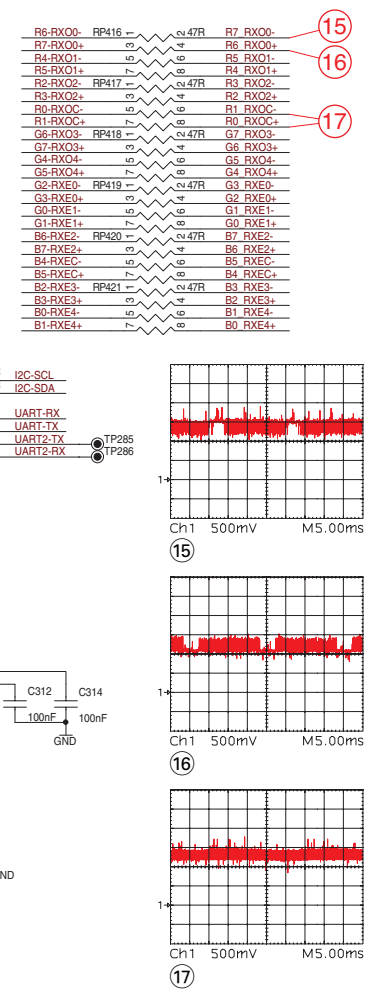
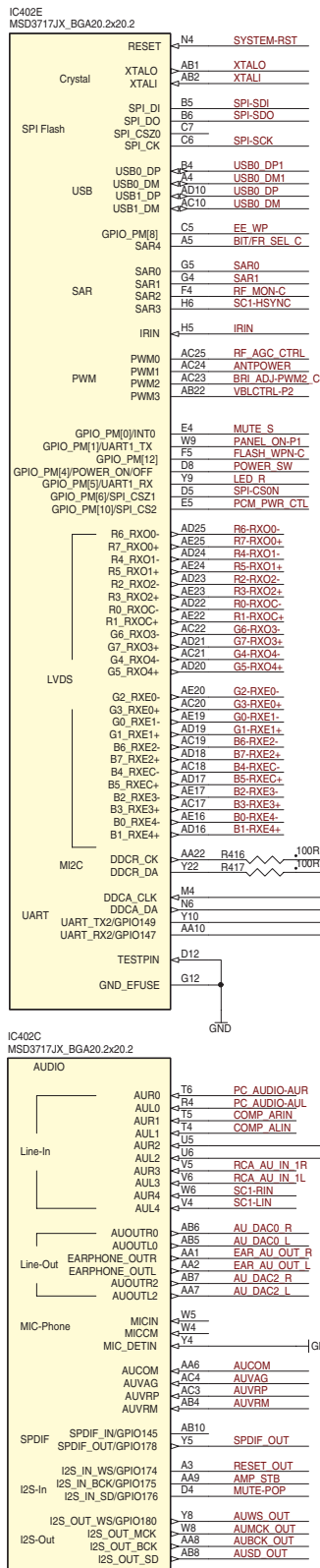
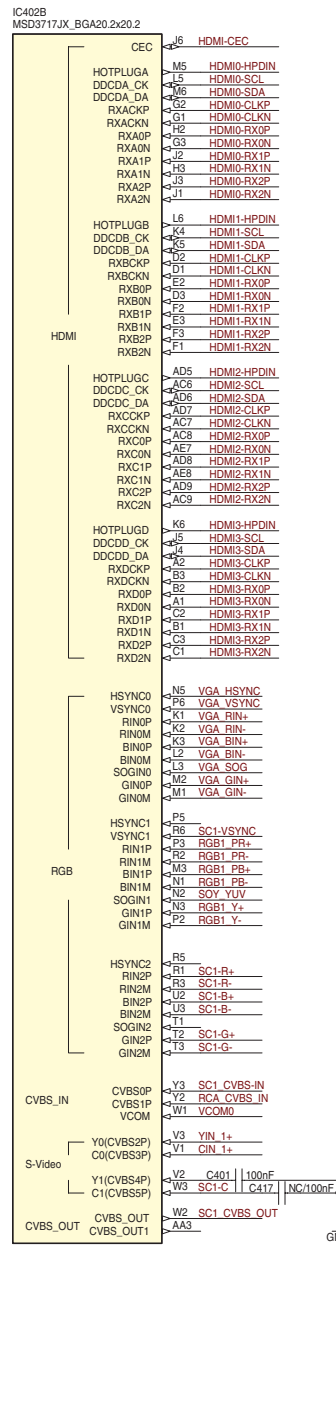
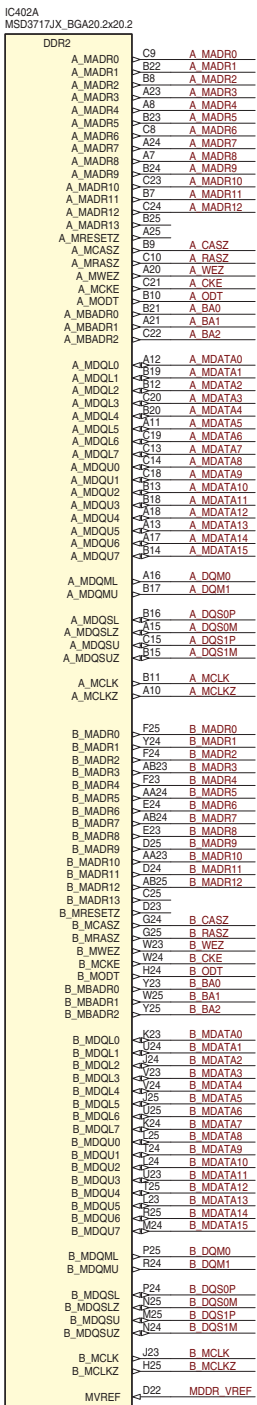
Chassisplatte / Chassis Board – AV, USB



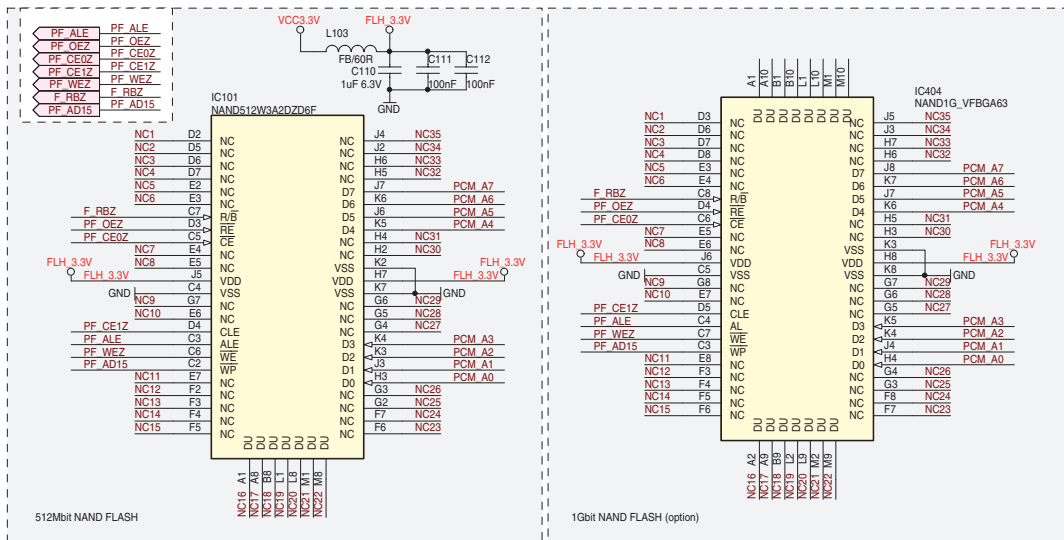
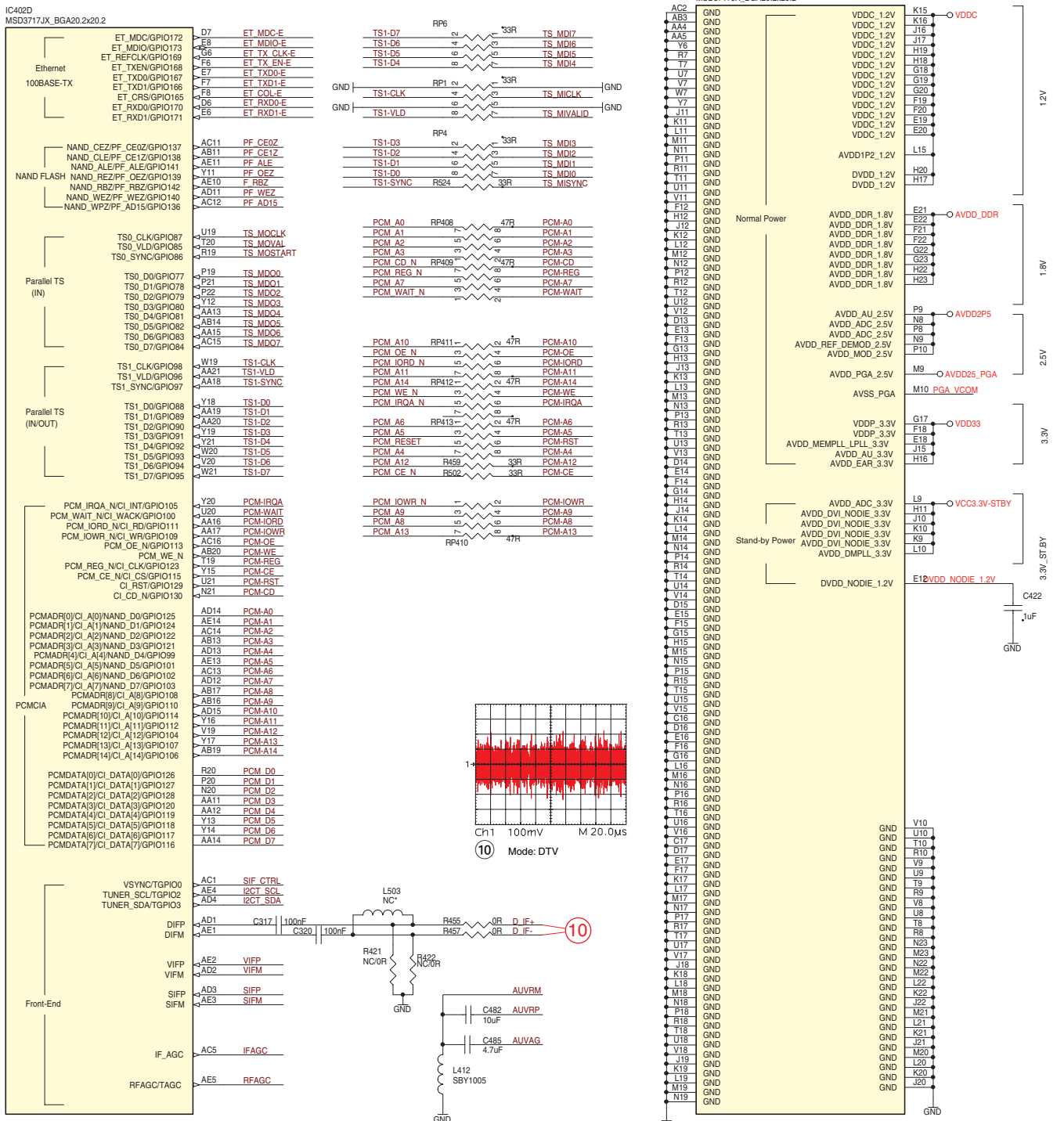
Chassisplatte / Chassis Board – Scaler



Chassisplatte / Chassis Board – Scaler

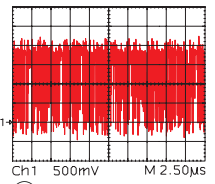
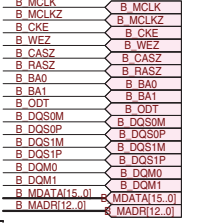
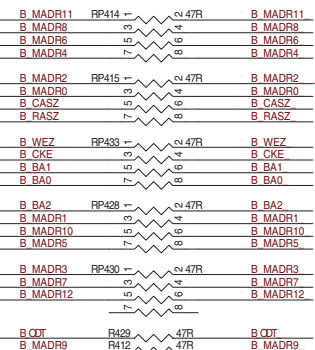
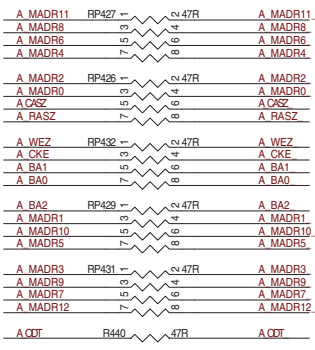
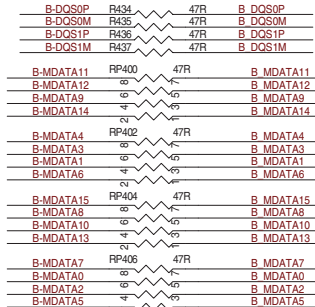
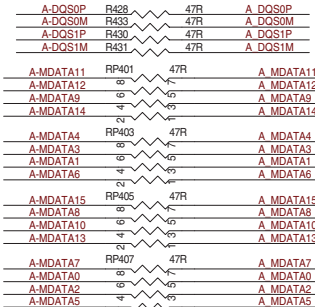
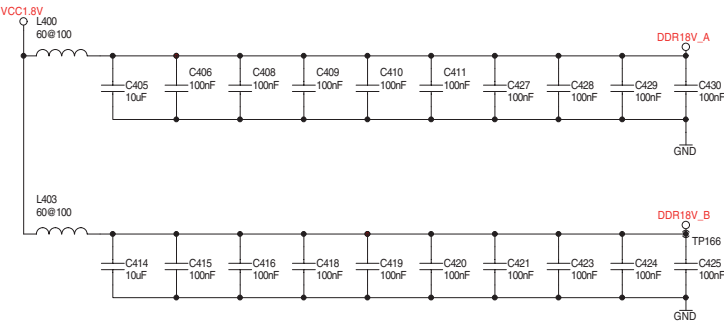
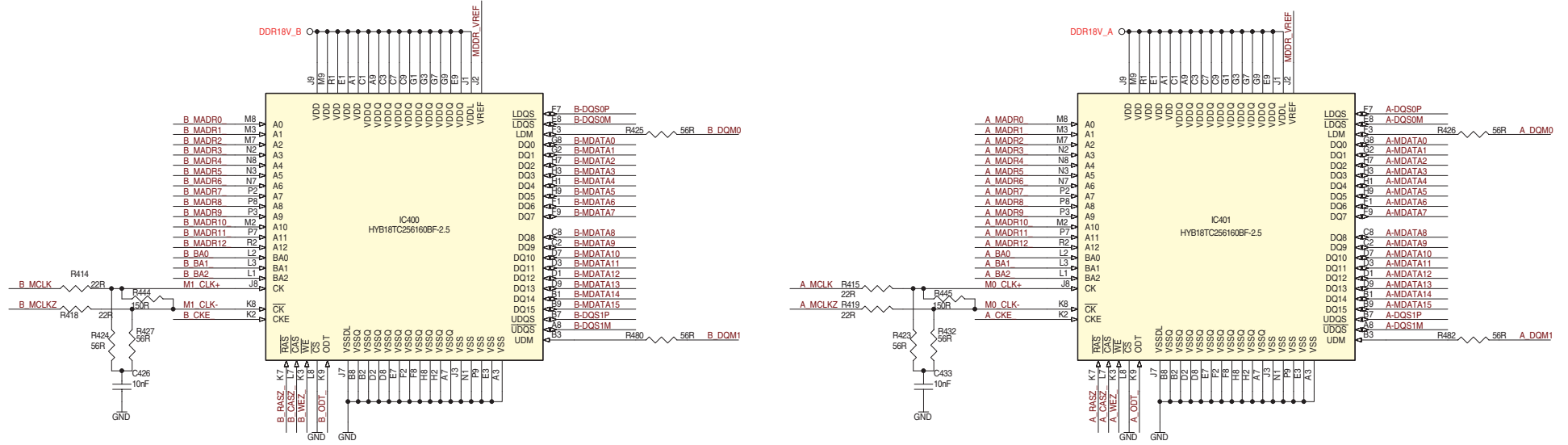


Chassisplatte / Chassis Board – Scaler



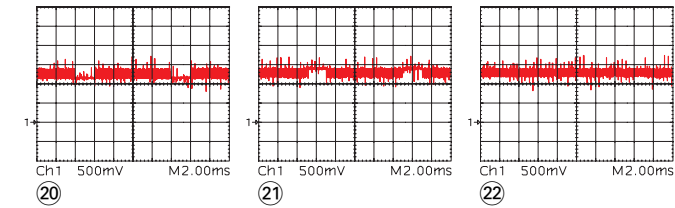
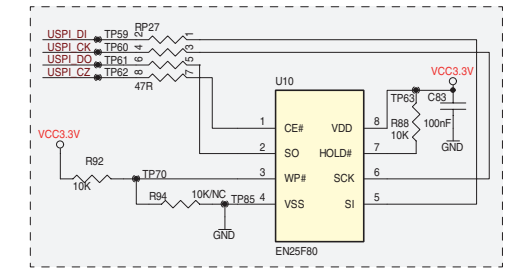
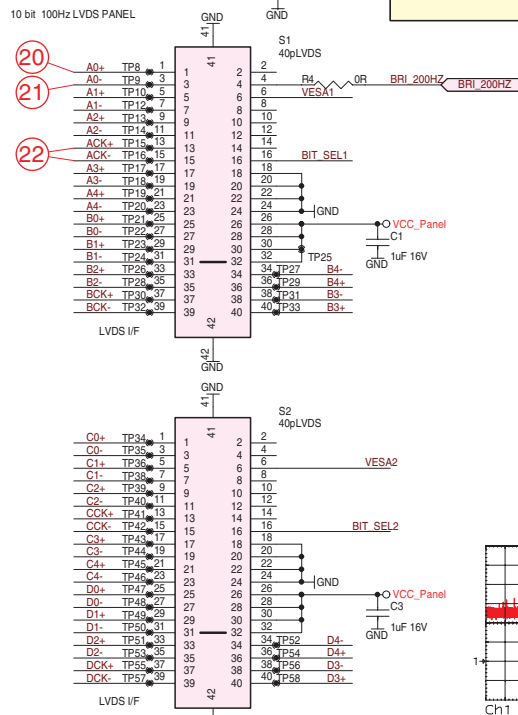
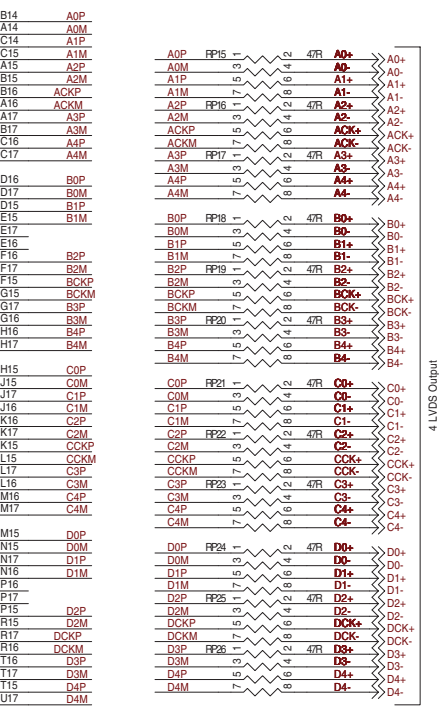
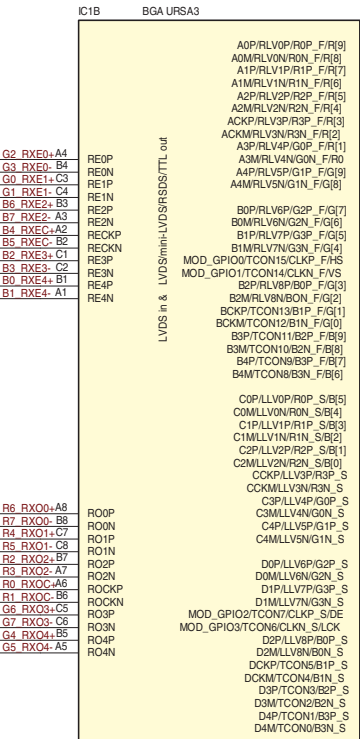
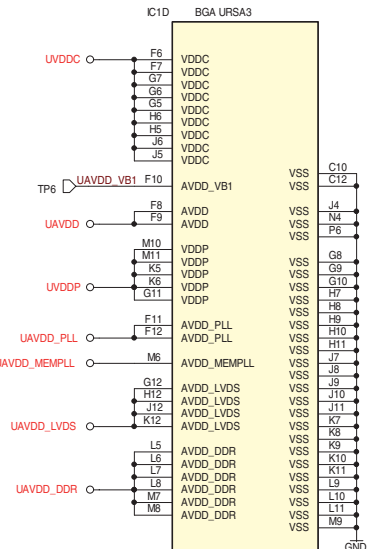
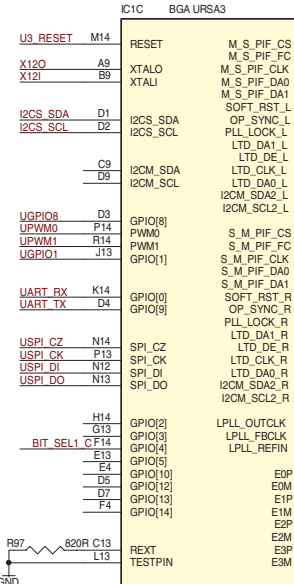
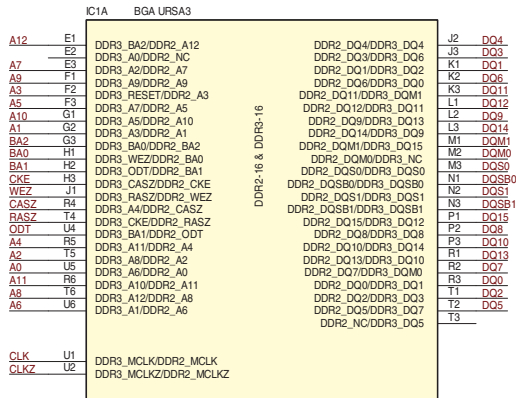
Chassisplatte / Chassis Board – Scaler-RAM

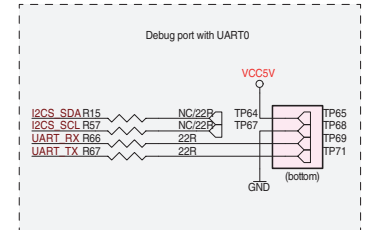
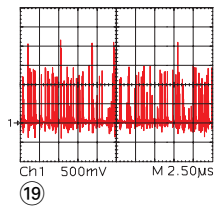
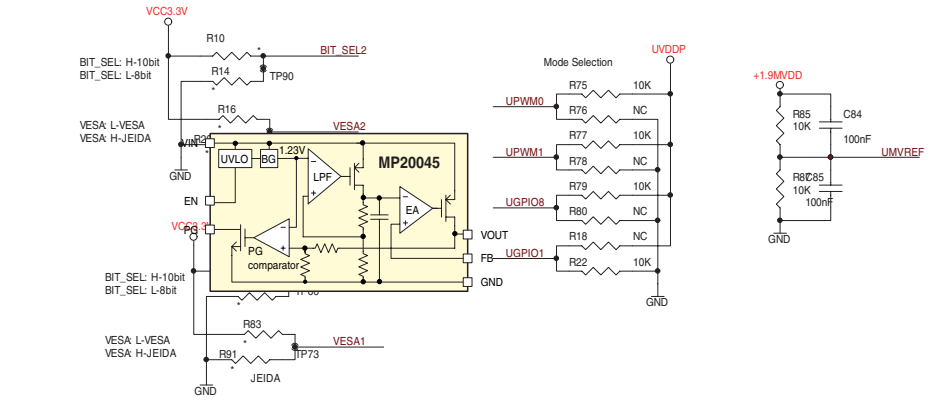
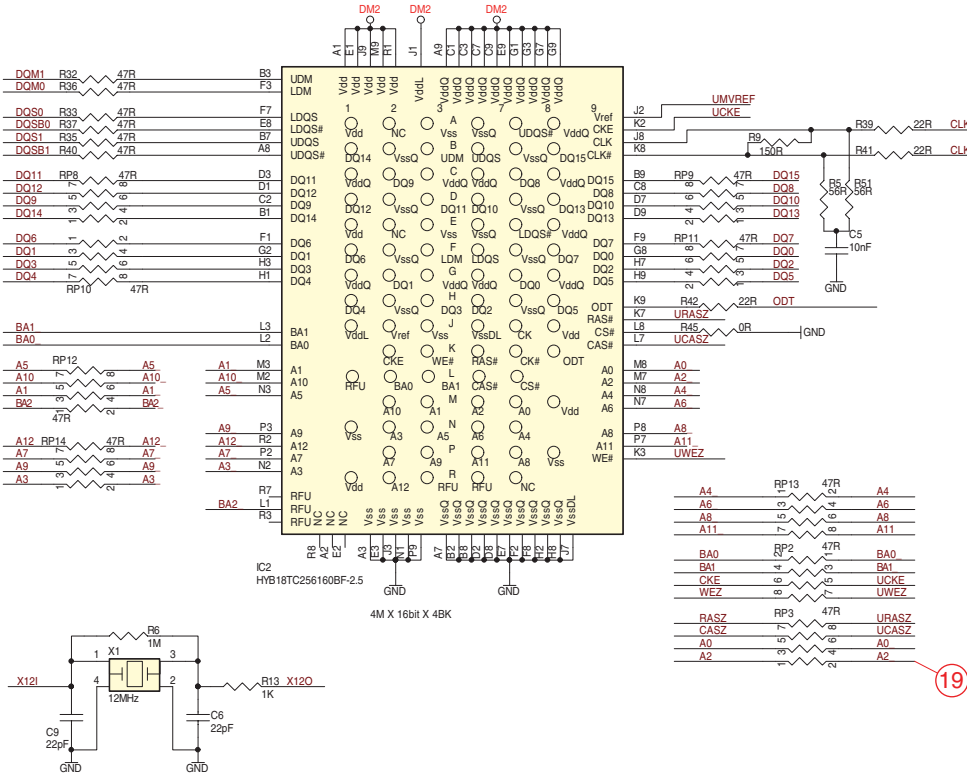
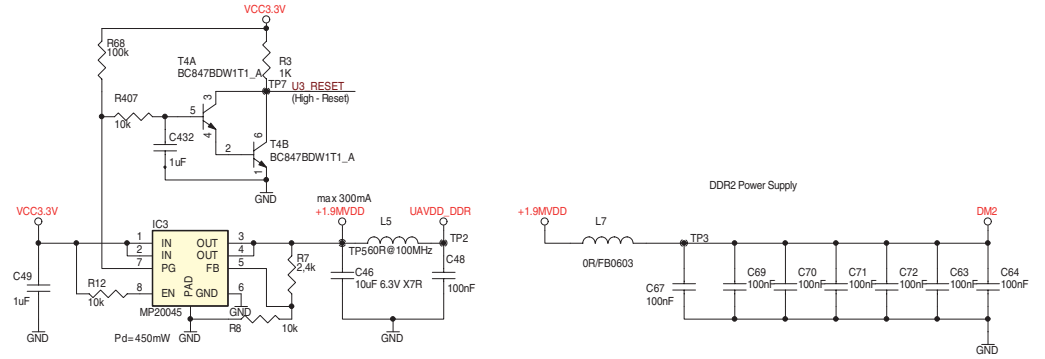
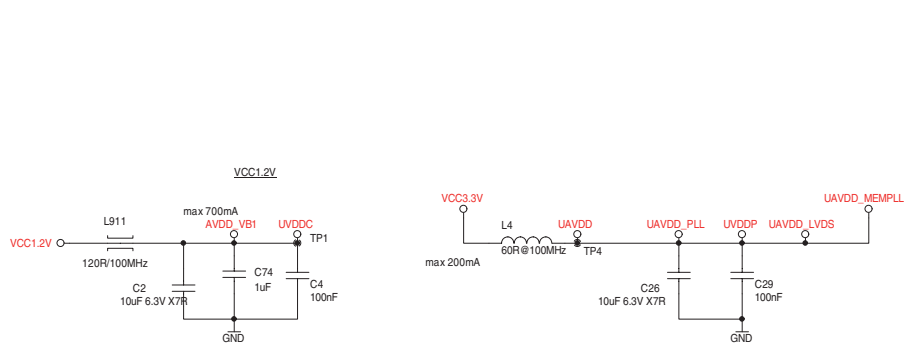
45



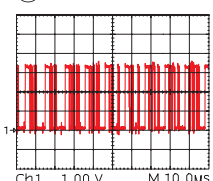
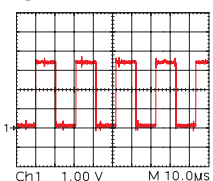
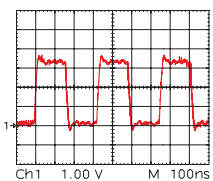
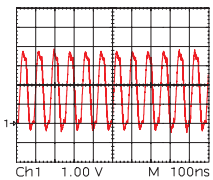
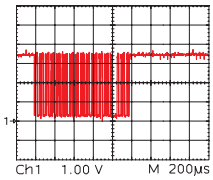
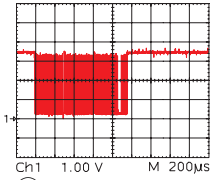
18

Chassisplatte / Chassis Board – FRC



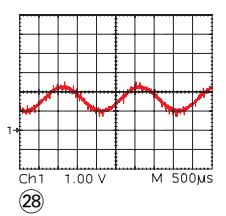
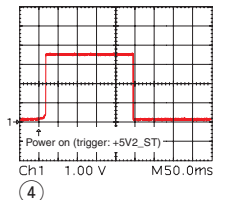
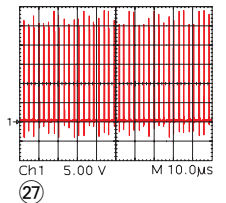
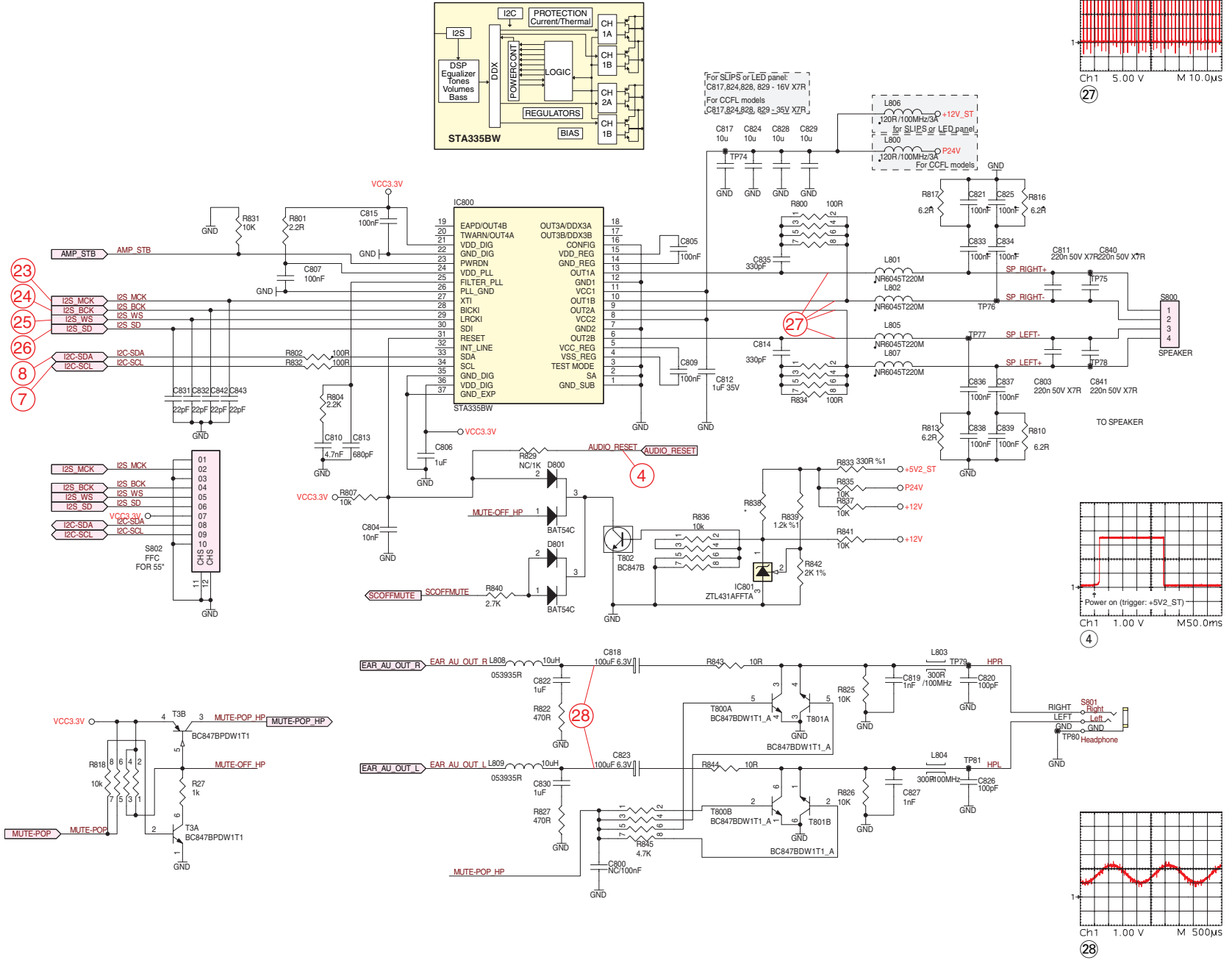


Chassisplatte – Verstärker / Chassis Board – Amplifier



⑦
⑧
②③
②④
②⑤
②⑥

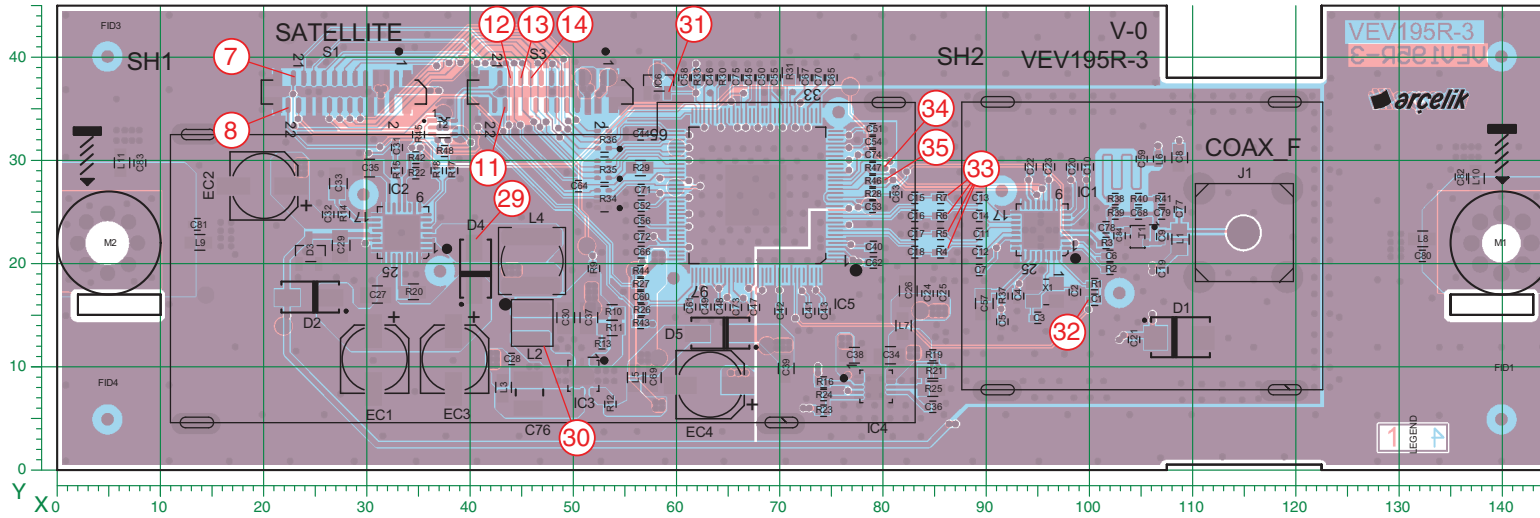
48



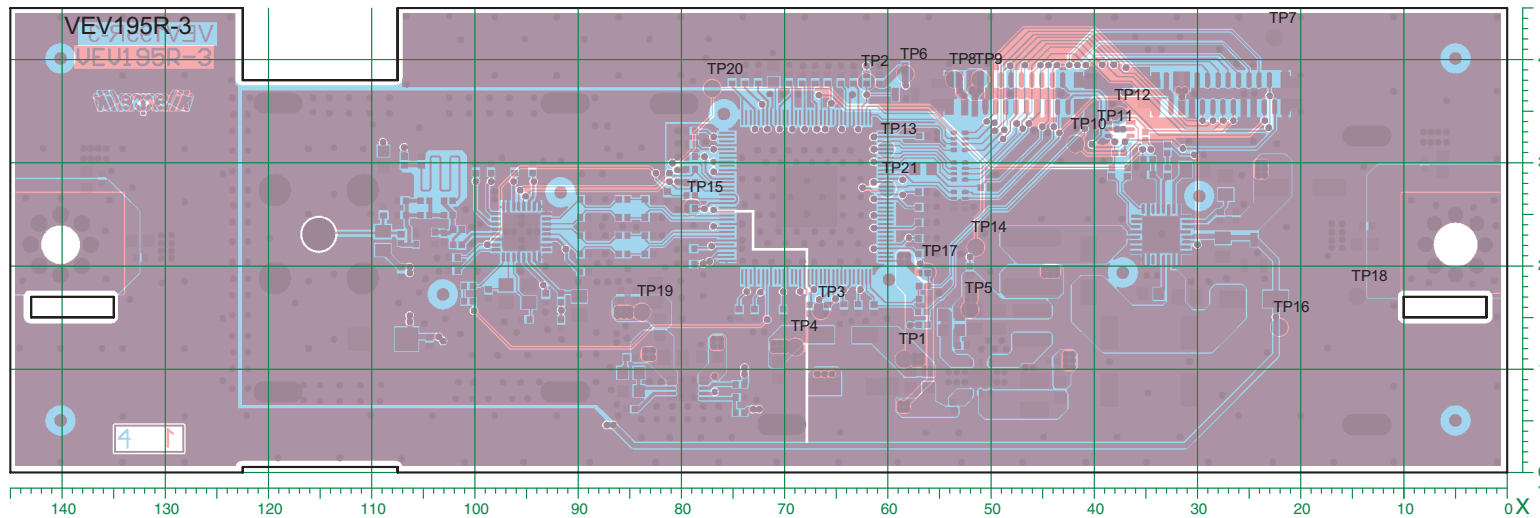
⑦
⑧
②③
②④
②⑤
②⑥
②⑦
④
②⑧

SAT-Baustein / Board VEV195R-3

Ansicht von der Bestückungsseite / View of Component Side



Ansicht von der Lötseite / View of Solder Side

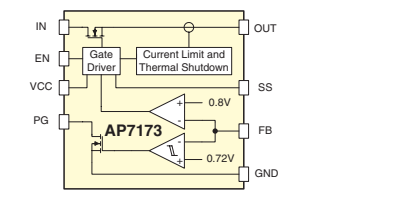
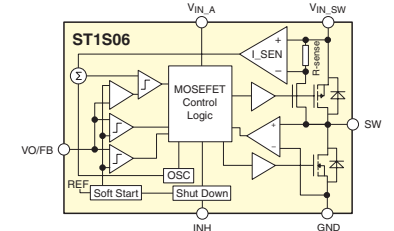
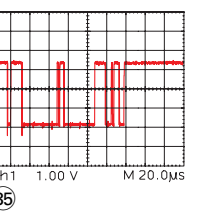
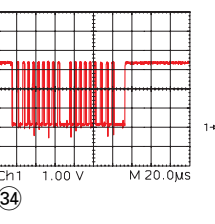
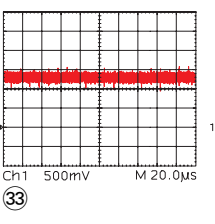
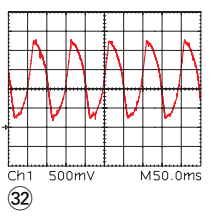
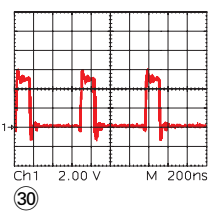
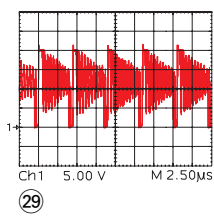
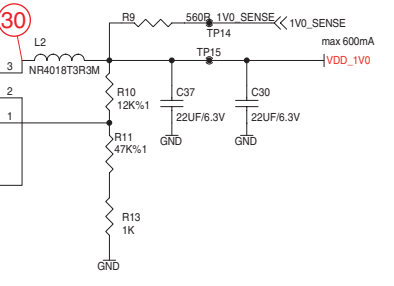
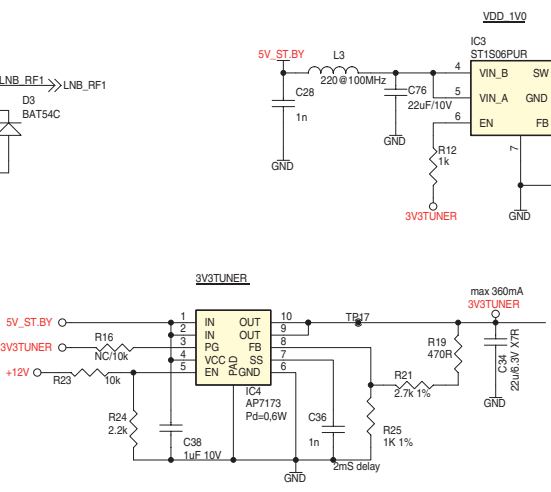
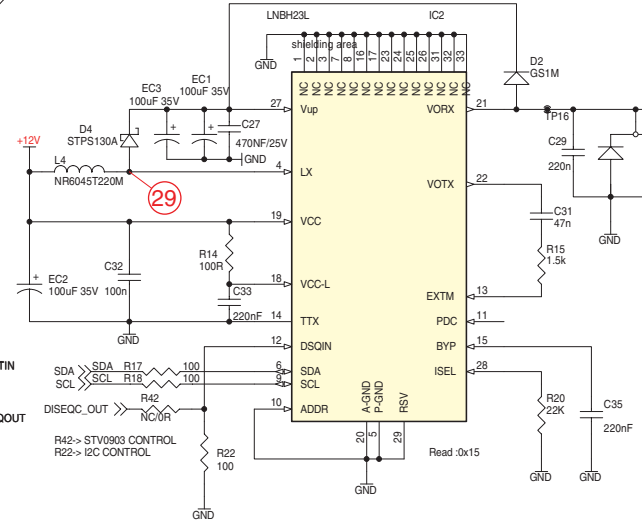
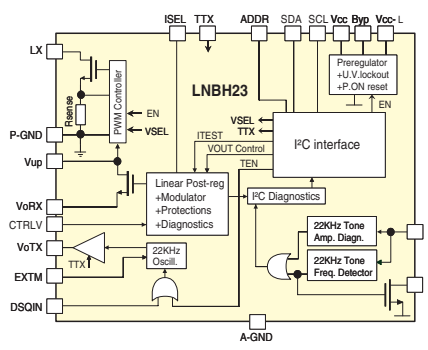
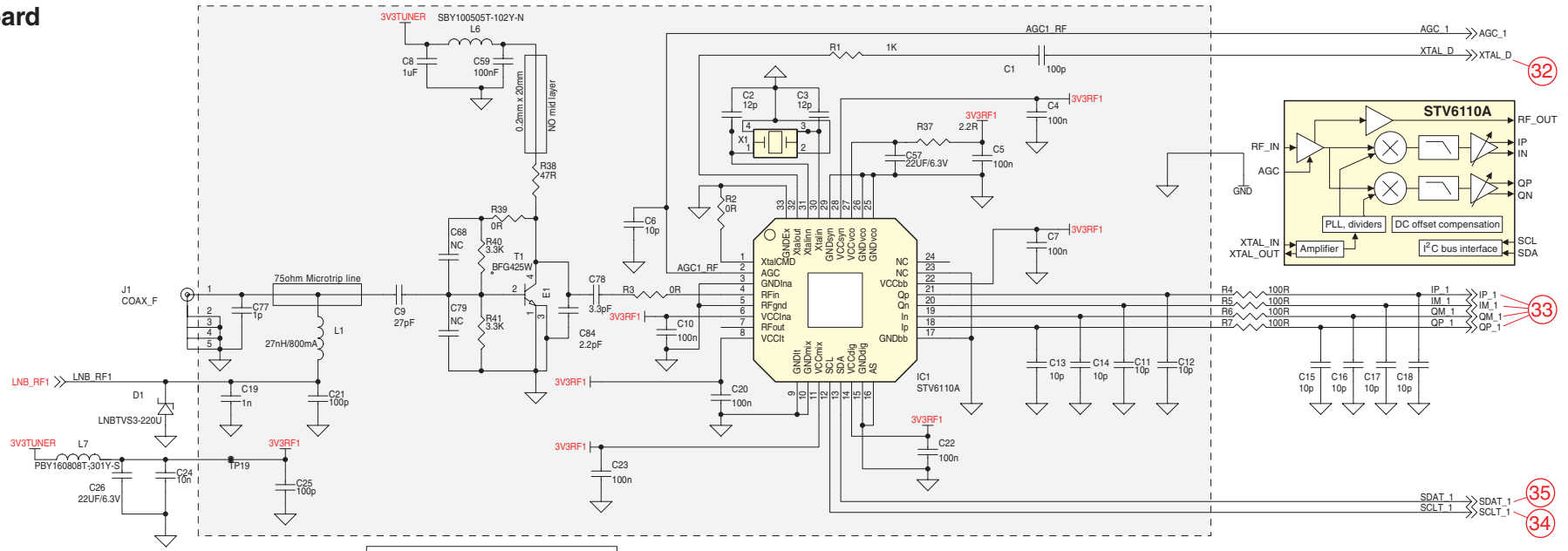


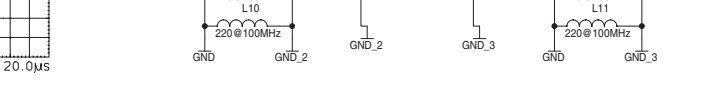
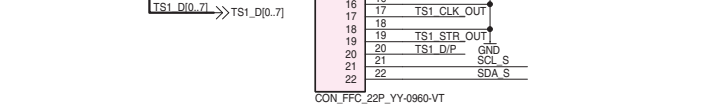
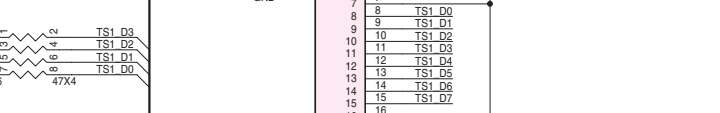
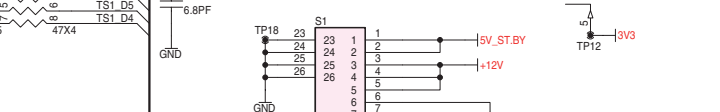
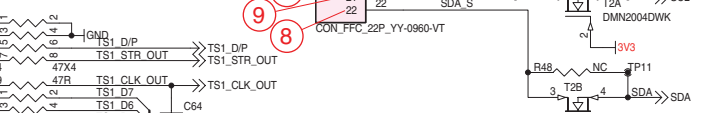
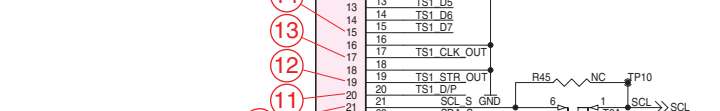
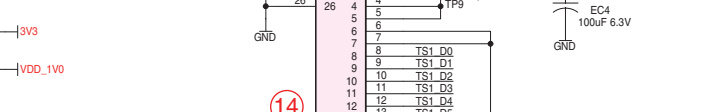
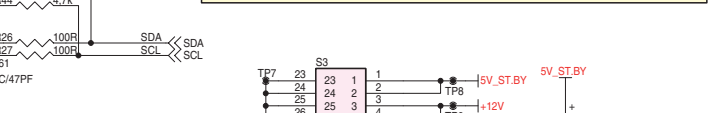
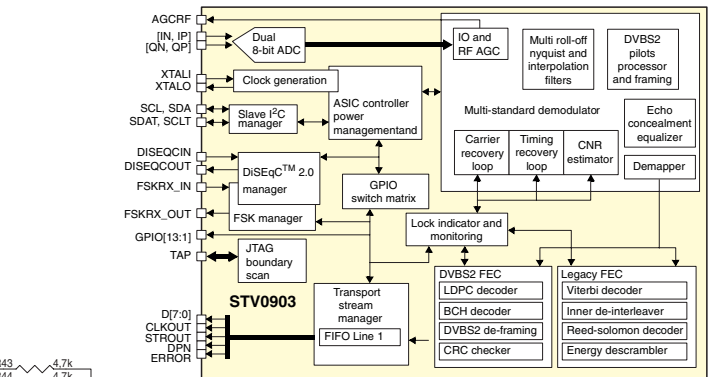
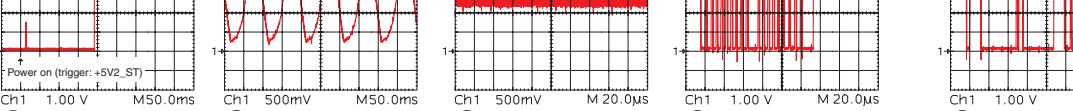
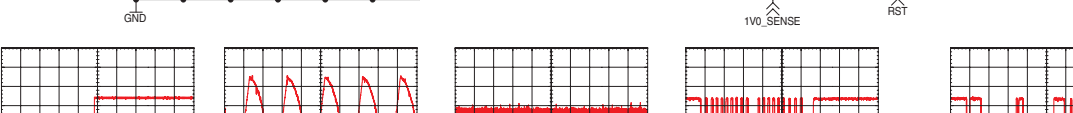
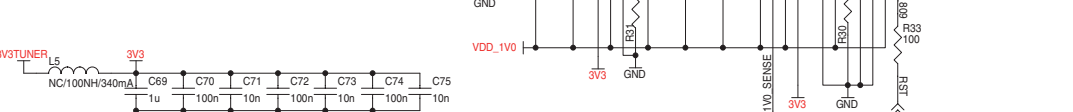
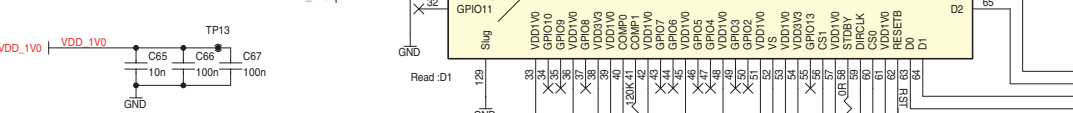
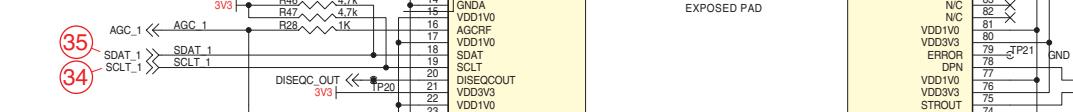
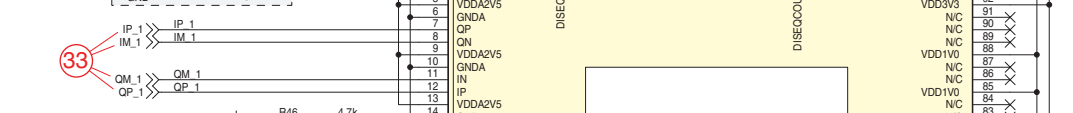
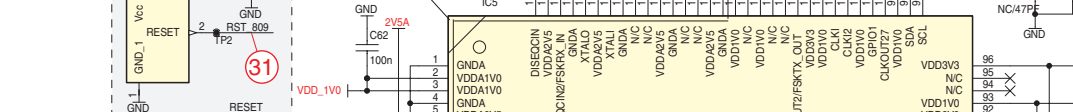
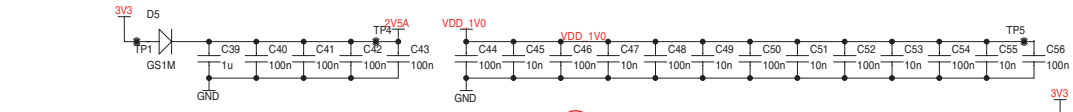
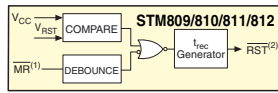
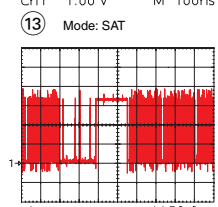
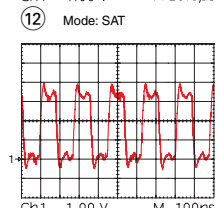
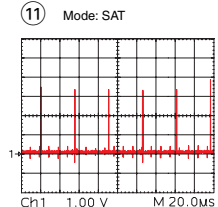
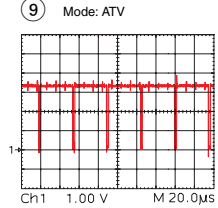
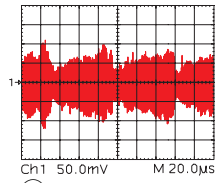
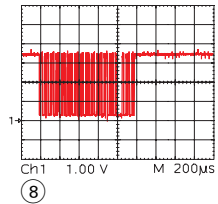
T: Bestückungsseite / Component Side
B: Lötseite / Solder Side

POS.	X	Y	POS.	X	Y	POS.	X	Y
C1	T 101	17	C66	T 57	21	R20	T 35	17
C2	T 99	17	C67	T 73	38	R21	T 85	10
C3	T 95	15	C68	T 105	25	R22	T 35	29
C4	T 93	17	C69	T 58	9	R23	T 74	6
C5	T 92	14	C70	T 74	38	R24	T 74	7
C6	T 102	21	C71	T 57	27	R25	T 85	8
C7	T 89	19	C72	T 57	23	R26	T 57	16
C8	T 109	30	C73	T 66	16	R27	T 57	18
C9	T 107	23	C74	T 79	31	R28	T 79	27
C10	T 100	29	C75	T 66	38	R29	T 57	29
C11	T 89	23	C76	T 46	8	R30	T 65	38
C12	T 89	21	C77	T 109	25	R31	T 71	39
C13	T 89	26	C78	T 102	24	R33	T 62	38
C14	T 89	25	C79	T 107	25	R34	T 53	26
C15	T 83	26	C80	T 132	21	R35	T 53	29
C16	T 83	25	C81	T 14	24	R36	T 53	32
C17	T 83	23	C82	T 136	28	R37	T 92	17
C18	T 83	21	C83	T 8	30	R38	T 103	26
C19	T 107	19	C84	T 103	23	R39	T 103	25
C20	T 98	29	D1	T 109	13	R40	T 105	26
C21	T 104	13	D2	T 25	17	R41	T 107	26
C22	T 94	29	D3	T 25	21	R42	T 35	30
C23	T 96	29	D4	T 41	20	R43	T 57	14
C24	T 84	17	D5	T 64	13	R44	T 57	19
C25	T 86	17	EC1	T 31	11	R45	T 35	33
C26	T 82	17	EC2	T 20	28	R46	T 79	28
C27	T 31	17	EC3	T 39	11	R47	T 79	29
C28	T 44	11	EC4	T 63	8	R48	T 38	31
C29	T 28	22	IC1	T 97	22	S1	T 28	37
C30	T 49	15	IC2	T 34	23	S3	T 48	37
C31	T 33	31	IC3	T 51	9	T1	T 105	23
C32	T 26	25	IC4	T 79	8	T2	T 38	33
C33	T 27	28	IC5	T 68	27	TP1	B 58	11
C34	T 81	11	IC6	T 58	38	TP2	B 62	38
C35	T 30	29	J1	T 115	23	TP3	B 66	16
C36	T 85	6	L1	T 109	22	TP4	B 69	12
C37	T 52	15	L2	T 46	14	TP5	B 52	16
C38	T 77	11	L3	T 43	8	TP6	B 58	39
C39	T 71	10	L4	T 46	20	TP7	B 23	42
C40	T 79	22	L5	T 56	9	TP8	B 54	38
C41	T 73	15	L6	T 107	30	TP9	B 51	38
C42	T 70	15	L7	T 82	14	TP10	B 42	32
C43	T 74	15	L8	T 132	22	TP11	B 39	33
C44	T 57	33	L9	T 14	22	TP12	B 38	35
C45	T 67	38	L10	T 138	28	TP13	B 60	31
C46	T 63	38	L11	T 6	30	TP14	B 51	22
C47	T 68	16	R1	T 101	18	TP15	B 79	26
C48	T 64	16	R2	T 102	20	TP16	B 22	14
C49	T 63	16	R3	T 102	22	TP17	B 56	19
C50	T 68	38	R4	T 86	21	TP18	B 15	17
C51	T 79	33	R5	T 86	23	TP19	B 84	16
C52	T 57	26	R6	T 86	25	TP20	B 77	37
C53	T 79	26	R7	T 86	26	TP21	B 60	27
C54	T 79	32	R9	T 52	20	X1	T 96	17
C55	T 70	38	R10	T 54	15			
C56	T 57	24	R11	T 54	14			
C57	T 90	16	R12	T 54	6			
C58	T 61	38	R13	T 53	12			
C59	T 105	30	R14	T 28	25			
C60	T 57	17	R15	T 33	29			
C61	T 61	16	R16	T 74	9			
C62	T 79	20	R17	T 38	29			
C63	T 81	27	R18	T 37	29			
C64	T 51	28	R19	T 85	11			
C65	T 75	38						

SAT-Baustein / Board

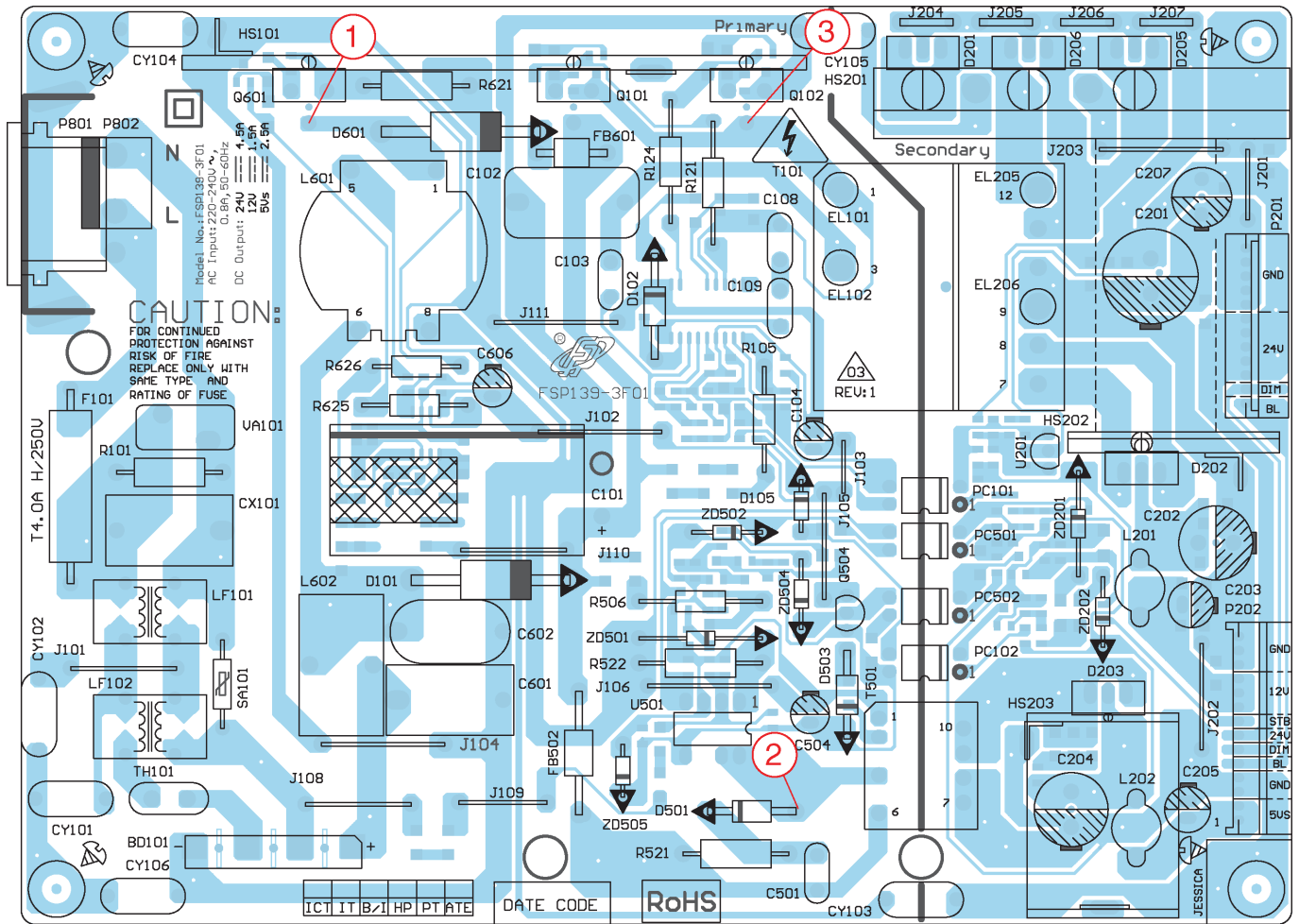
50



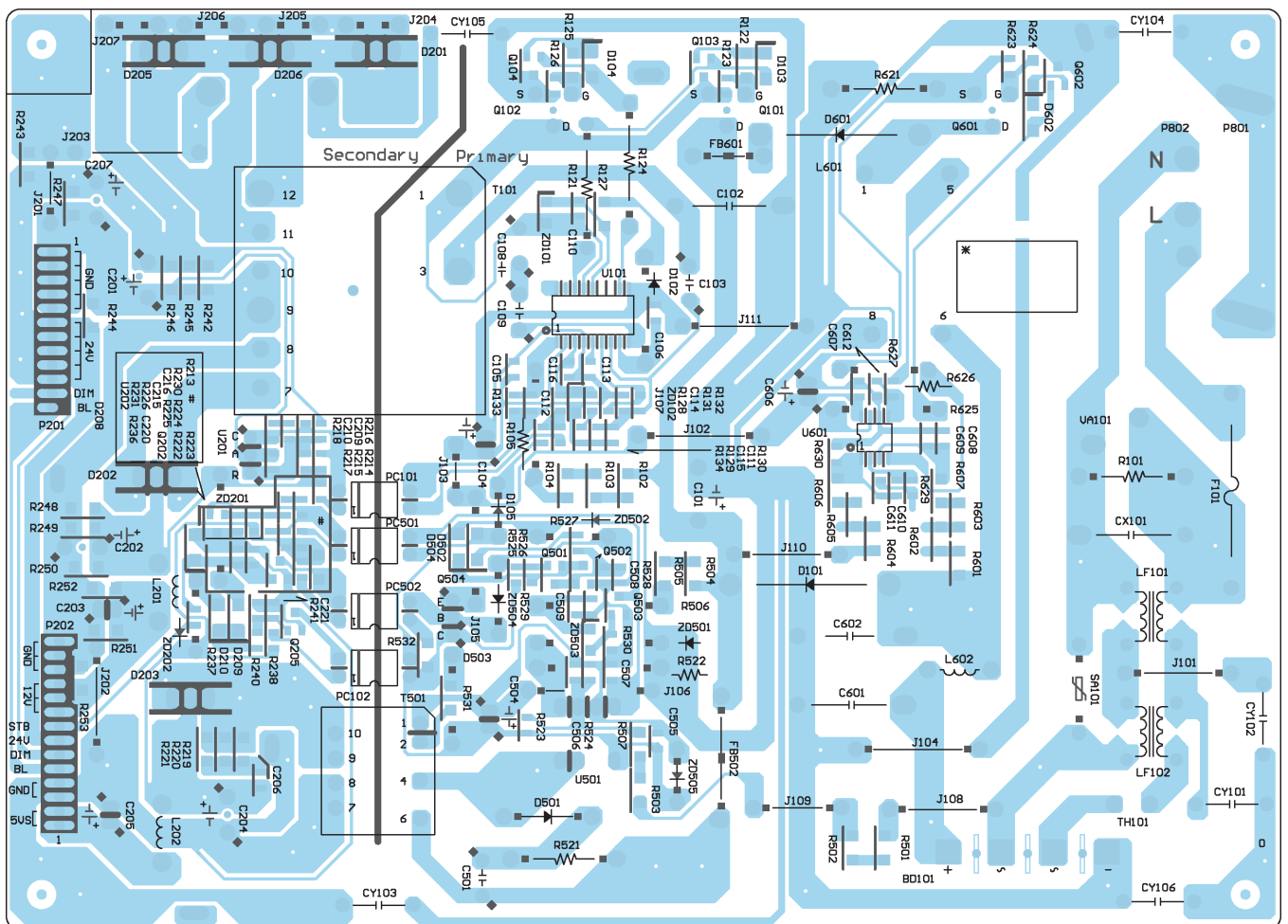


Netzteil / Power Supply FSP139-3F01

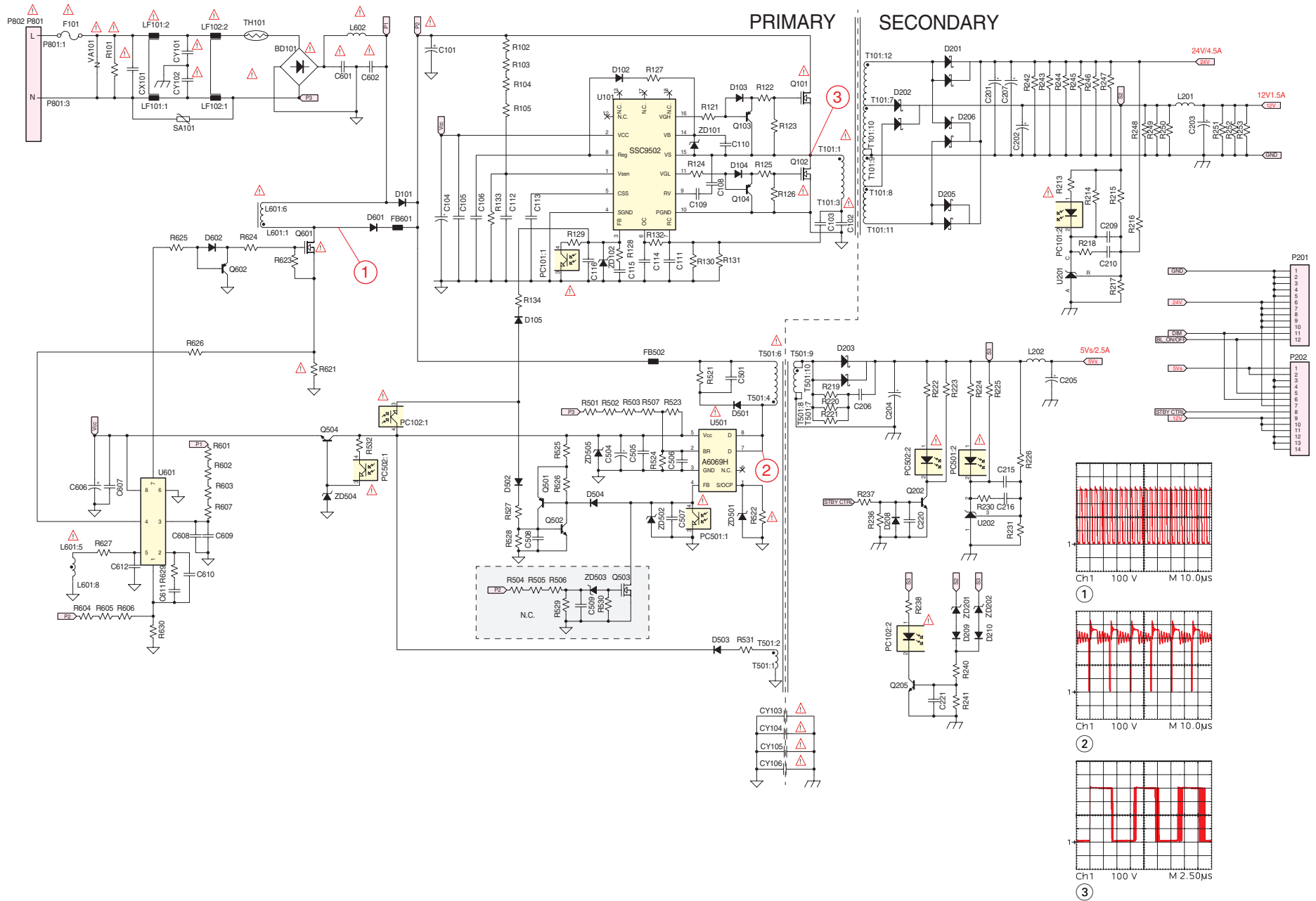
Ansicht von der Bestückungsseite / View of Component Side



Ansicht von der Lötseite / View of Solder Side

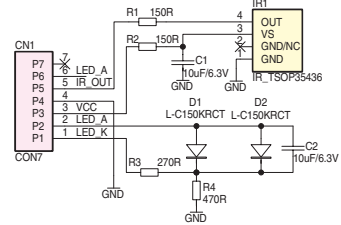
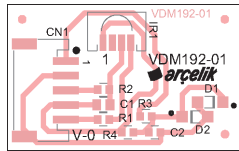


Netzteil / Power Supply FSP139-3F01



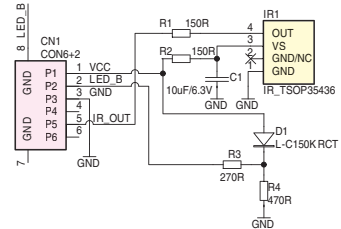
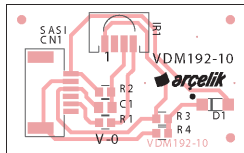
IR-/LED-Platte / IR/LED Board VDM192-01

Ansicht von der Bestückungsseite / View of Component Side



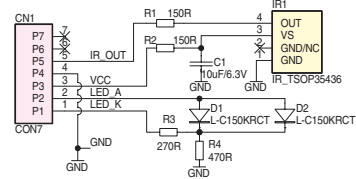
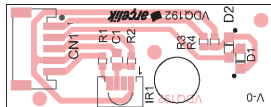
IR-/LED-Platte / IR/LED Board VDM192-10

Ansicht von der Bestückungsseite / View of Component Side



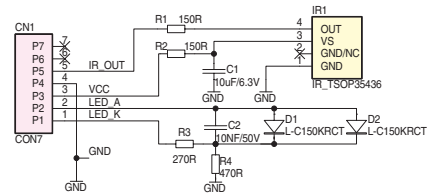
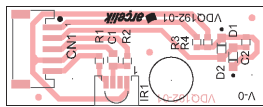
IR-/LED-Platte / IR/LED Board VDO192

Ansicht von der Bestückungsseite / View of Component Side



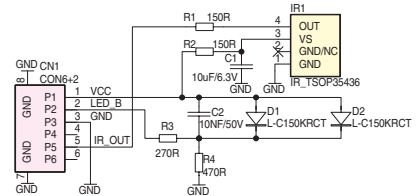
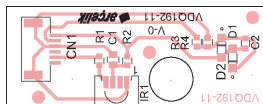
IR-/LED-Platte / IR/LED Board VDO192-01

Ansicht von der Bestückungsseite / View of Component Side



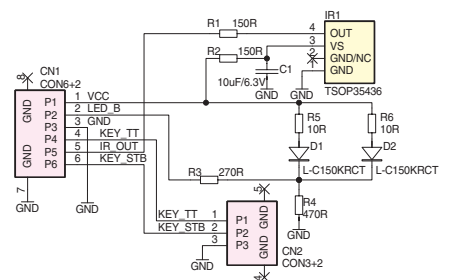
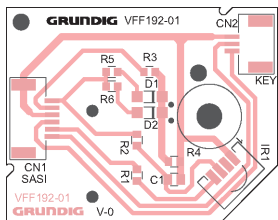
IR-/LED-Platte / IR/LED Board VDO192-11

Ansicht von der Bestückungsseite / View of Component Side



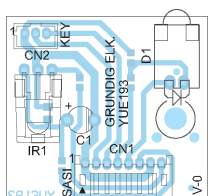
IR-/LED-Platte / IR/LED Board VFF192-01

Ansicht von der Bestückungsseite / View of Component Side

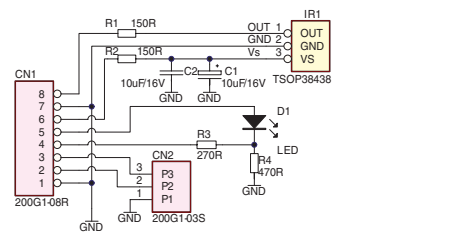
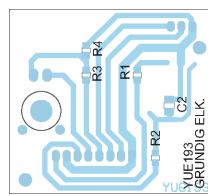


IR-/LED-Platte / IR/LED Board YUE193

Ansicht von der Bestückungsseite / View of Component Side

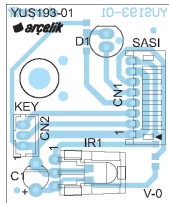


Ansicht von der Lötseite / View of Solder Side

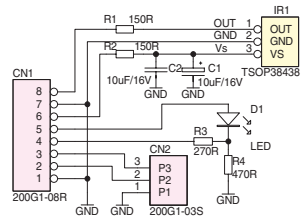
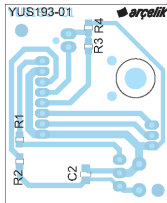


IR-/LED-Platte / IR/LED Board YUS193

Ansicht von der Bestückungsseite
View of Component Side

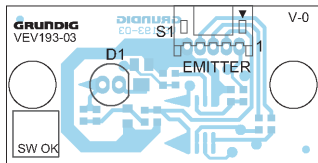


Ansicht von der Lötseite
View of Solder Side

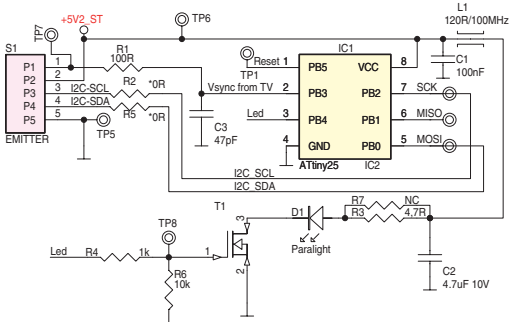
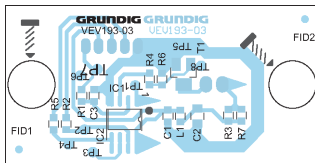


Emitter-Platte / Board VEV193-03

Ansicht von der Bestückungsseite
View of Component Side

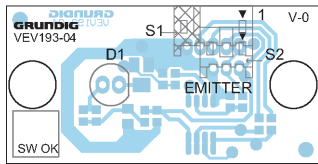


Ansicht von der Lötseite
View of Solder Side

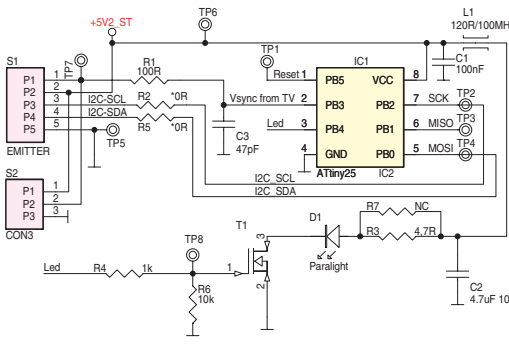
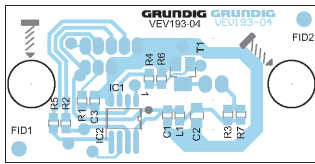


Emitter-Platte / Board VEV193-04

Ansicht von der Bestückungsseite
View of Component Side



Ansicht von der Lötseite
View of Solder Side



Ersatzteilliste
Spare Parts List

NUR FÜR INTERNEN GEBRAUCH
FOR INTERNAL USE ONLY

TV

7 / 2011

26 VLC 3001 C

BESTELL-NR. / ORDER NO.: GBJ1226 (JPR)

POS. NR. POS. NO.	ABB. FIG.	MATERIAL-NR. PART NUMBER	ANZ. QTY.	BEZEICHNUNG (D)	DESCRIPTION (GB)
		GBH1226		26 VLC 3001 C BLACK PRODUKTCODE JPR KEIN E-TEIL	26 VLC 3001 C BLACK PRODUCT CODE JPR NO SPARE PART
				Hinweis: Sollte in dieser Ersatzteilliste Ihr "Product Code" oder Ihre Display-Variante nicht aufgeführt sein, finden Sie eine aktualisierte Version auf dem GRUNDIG Service-Portal "http://service.grundig.de" .	Note: If your "Product Code" or display variant is not mentioned in the spare parts list, please look for a current version at the GRUNDIG service portal "http://service.grundig.de" .
0001.000		759551506000		GEH.-VORDERTEIL SCHWARZ	FRONT CABINET BLACK
0002.000		759551607100		RUECKWAND SCHWARZ	BACK COVER BLACK
0005.000		759551582000		STANDFUSS SCHWARZ	STAND FOOT BLACK
0007.000		759551496800		KNOPF BEDIENUNG SCHWARZ	KNOB CONTROL BLACK
0015.000		759551437700		LAUTSPRECHER 8 OHM 15/22.5W	LOUDSPEAKER 8 OHM 15/22.5W
0019.000		759551398900		KABEL DISPLAY-LVDS 250MM	CABLE DISPLAY-LVDS 250MM
0020.000	△	759551592600		LCD-DISPLAY T260XW04 V705	LCD-DISPLAY T260XW04 V705
0021.000		759551599700		INVERTERKABEL 300 MM	INVERTERCABLE 300 MM
0022.000	△	759551343100		NETZKABEL 180CM	POWER CABLE 180CM
0023.000	△	275990309000		LP-NETZTEILMODUL FSP139-3F01	POWER SUPPLY FSP139-3F01
0025.000	△	275991141600	X	LP-CHASSISMODUL SX (JPR)	CHASSIS BOARD SX (JPR)
0027.000		720117144800		FERNBEDIENUNG TP3	REMOTE CONTROL TP3
0028.000		720117145300		FERNBEDIENUNG TP EASY SCHWARZ	REMOTE CONTROL TP EASY BLACK
0029.000		275990230500		LP-BEDIENMODUL TT 26T8 CB8	CONTROL BOARD TT 26T8 CB8
0030.000		759551057800		TASTSCHALTER	KEY SWITCH
0032.000		759551504200		IR-EMPPFAENGER TSOP38438	IR RECEIVER TSOP38438
0033.000		759551541600		LED BLAU 3MM 2.89 V	LED BLUE 3MM 2.89 V
0090.000		759551496200		KARTON	CARTON
0091.000		759551496900		POLSTER OBEN LINKS/RECHTS	CUSHION TOP LEFT/RIGHT
0092.000		759551497000		POLSTER BODEN LINKS/RECHTS	CUSHION BOTTOM LEFT/RIGHT
				DIE BEDIENUNGSANLEITUNG KOENNEN SIE IM INTERNET UNTER FOLGENDER ADRESSE ABRUFEN: WWW.GRUNDIG.DE MENU: DOWNLOADS	THE INSTRUCTION MANUAL CAN BE DOWNLOADED FROM THE INTERNET UNDER THE FOLLOWING ADDRESS: WWW.GRUNDIG.DE MENU: DOWNLOADS
		720100555000		SERVICE MANUAL D/GB	SERVICE MANUAL D/GB
		720100555100		SERVICE MANUAL D/GB 1. ERGAENZUNG	SERVICE MANUAL D/GB 1ST SUPPLEMENT
		720108000001		SICHERHEITSMANUAL D/GB/E/F/I	SAFETY SERVICE MANUAL D/GB/E/F/I
				X = SIEHE GESONDERTE E-LISTE	X = SEE SEPARATE PARTS LIST

Ersatzteilliste
Spare Parts List

NUR FÜR INTERNEN GEBRAUCH
FOR INTERNAL USE ONLY

TV

5 / 2011

26 VLC 9140 S

BESTELL-NR. / ORDER NO.: GBJ6126 (JWG)

POS. NR. POS. NO.	ABB. FIG.	MATERIAL-NR. PART NUMBER	ANZ. QTY.	BEZEICHNUNG (D)	DESCRIPTION (GB)
		GBJ6126		26 VLC 9140 S PRODUKTCODE JWG KEIN E-TEIL	26 VLC 9140 S PRODUCT CODE JWG NO SPARE PART
				Hinweis: Sollte in dieser Ersatzteilliste Ihr "Product Code" oder Ihre Display-Variante nicht aufgeführt sein, finden Sie eine aktualisierte Version auf dem GRUNDIG Service-Portal "http://service.grundig.de" .	Note: If your "Product Code" or display variant is not mentioned in the spare parts list, please look for a current version at the GRUNDIG service portal "http://service.grundig.de" .
0001.000		759551496700		GEH.-VORDERTEIL SCHWARZ	FRONT CABINET BLACK
0002.000		759551601100		RUECKWAND SCHWARZ	BACK COVER BLACK
0005.000		759551572500		STANDFUSS SCHWARZ	STAND FOOT BLACK
0007.000		759551496800		KNOPF BEDIENUNG SCHWARZ	KNOB CONTROL BLACK
0015.000		759551437700		LAUTSPRECHER 8 OHM 15/22.5W	LOUDSPEAKER 8 OHM 15/22.5W
0019.000		759551398900		KABEL DISPLAY-LVDS 250MM	CABLE DISPLAY-LVDS 250MM
0020.000	△	759551592600		LCD-DISPLAY AUO T260XW04 V705	LCD-DISPLAY AUO T260XW04 V705
0021.000		759551599700		INVERTERKABEL 300 MM	INVERTERCABLE 300 MM
0022.000	△	759551350200		NETZKABEL 150 CM	POWER CABLE 150 CM
0023.000	△	275990309000		LP-NETZTEILMODUL FSP139-3F01	POWER SUPPLY FSP139-3F01
0024.000	△	759551574200		NETZSCHALTER OHNE HALTER	POWER SWITCH WITHOUT HOLDER
0025.000	△	275991140200	X	LP-CHASSISMODUL SX (JWG)	CHASSIS BOARD SX (JWG)
0027.000		720117144800		FERNBEDIENUNG TP3	REMOTE CONTROL TP3
0028.000		720117145300		FERNBEDIENUNG TP EASY SCHWARZ	REMOTE CONTROL TP EASY BLACK
0029.000		275990230500		LP-BEDIENMODUL TT 26T8 CB8	CONTROL BOARD TT 26T8 CB8
0030.000		759551057800		TASTSCHALTER	KEY SWITCH
0032.000		759551504200		IR-EMPPFAENGER TSOP38438	IR RECEIVER TSOP38438
0033.000		759551541500		LED BLAU 5MM 3,5 V	LED BLUE 5MM 3,5 V
0036.000	△	759551567100		LP-SAT MODUL SH-DVB-S2 (HYZ)	LP-SAT BOARD SH-DVB-S2 (HYZ)
0037.000		759551600600		FLACHBANDKABEL 22 PIN SAT-MODUL	CABLE FFC 22 PIN SAT-MODUL
0090.000		759551496200		KARTON	CARTON
0091.000		759551496900		POLSTER OBEN LINKS/RECHTS	CUSHION TOP LEFT/RIGHT
0092.000		759551497000		POLSTER BODEN LINKS/RECHTS	CUSHION BOTTOM LEFT/RIGHT
				DIE BEDIENUNGSANLEITUNG KOENNEN SIE IM INTERNET UNTER FOLGENDER ADRESSE ABRUFEN: WWW.GRUNDIG.DE MENU: DOWNLOADS	THE INSTRUCTION MANUAL CAN BE DOWNLOADED FROM THE INTERNET UNDER THE FOLLOWING ADDRESS: WWW.GRUNDIG.DE MENU: DOWNLOADS
		720100555000		SERVICE MANUAL D/GB	SERVICE MANUAL D/GB
		720100555100		SERVICE MANUAL D/GB 1. ERGAENZUNG	SERVICE MANUAL D/GB 1ST SUPPLEMENT
		720108000001		SICHERHEITSMANUAL D/GB/E/F/I	SAFETY SERVICE MANUAL D/GB/E/F/I
				X = SIEHE GESONDERTE E-LISTE	X = SEE SEPARATE PARTS LIST

Es gelten die Vorschriften und Sicherheitshinweise gemäß dem Service Manual "Sicherheit", Mat.-Nummer 720108000001, sowie zusätzlich die eventuell abweichenden, landesspezifischen Vorschriften!



The regulations and safety instructions shall be valid as provided by the "Safety" Service Manual, part number 720108000001, as well as the respective national deviations.

ÄNDERUNGEN VORBEHALTEN / SUBJECT TO ALTERATION

Es gelten die Vorschriften und Sicherheitshinweise gemäß dem Service Manual "Sicherheit", Mat.-Nummer 720108000001, sowie zusätzlich die eventuell abweichenden, landesspezifischen Vorschriften!



The regulations and safety instructions shall be valid as provided by the "Safety" Service Manual, part number 720108000001, as well as the respective national deviations.

ÄNDERUNGEN VORBEHALTEN / SUBJECT TO ALTERATION

Ersatzteilliste
Spare Parts List

NUR FÜR INTERNEN GEBRAUCH
FOR INTERNAL USE ONLY

TV

4 / 2011

32 VLC 3001 C

BESTELL-NR. / ORDER NO.: GBI1332 (JPQ)

POS. NR. POS. NO.	ABB. FIG.	MATERIAL-NR. PART NUMBER	ANZ. QTY.	BEZEICHNUNG (D)	DESCRIPTION (GB)
		GBI1332		32 VLC 3001 C BLACK PRODUKTCODE JPQ KEIN E-TEIL	32 VLC 3001 C BLACK PRODUCT CODE JPQ NO SPARE PART
				Hinweis: Sollte in dieser Ersatzteilliste Ihr "Product Code" oder Ihre Display-Variante nicht aufgeführt sein, finden Sie eine aktualisierte Version auf dem GRUNDIG Service-Portal "http://service.grundig.de" .	Note: If your "Product Code" or display variant is not mentioned in the spare parts list, please look for a current version at the GRUNDIG service portal "http://service.grundig.de" .
0001.000		759551509300		GEH.-VORDERTEIL SCHWARZ	FRONT CABINET BLACK
0002.000		759551588500		RUECKWAND SCHWARZ	BACK COVER BLACK
0005.000		759551582000		STANDFUSS SCHWARZ	STAND FOOT BLACK
0007.000		759551496800		KNOPF BEDIENUNG SCHWARZ	KNOB CONTROL BLACK
0015.000		759551437700		LAUTSPRECHER 8 OHM 15/22.5W	LOUDSPEAKER 8 OHM 15/22.5W
0019.000		759551520400		KABEL DISPLAY-LVDS 400MM	CABLE DISPLAY-LVDS 400MM
0020.000	△	759551571600		LCD-DISPLAY SS LTA320AP06-011)	LCD-DISPLAY SS LTA320AP06-011)
0022.000	△	759551343100		NETZKABEL 180CM	POWER CABLE 180CM
0023.000	△	275990309000		LP-NETZTEILMODUL FSP139-3F01	POWER SUPPLY FSP139-3F01
0025.000		275991133900	X	LP-CHASSISMODUL SX (JPQ)	CHASSIS BOARD SX (JPQ)
0027.000		720117144800		FERNBEDIENUNG TP3	REMOTE CONTROL TP3
0029.000		275990230500		LP-BEDIENMODUL TT 26T8 CB8	CONTROL BOARD TT 26T8 CB8
0030.000		759551057800		TASTSCHALTER	KEY SWITCH
0032.000		759551504200		IR-EMPPFAENGER TSOP38438	IR RECEIVER TSOP38438
0033.000		759551541600		LED BLAU 3MM 2.89 V	LED BLUE 3MM 2.89 V
0090.000		759551517400		KARTON 32"	CARTON 32"
0091.000		759551517500		POLSTER OBEN	CUSHION TOP
0092.000		759551517600		POLSTER UNTEN	CUSHION BOTTOM
				DIE BEDIENUNGSANLEITUNG KOENNEN SIE IM INTERNET UNTER FOLGENDER ADRESSE ABRUFEN: WWW.GRUNDIG.DE MENU: DOWNLOADS	THE INSTRUCTION MANUAL CAN BE DOWNLOADED FROM THE INTERNET UNDER THE FOLLOWING ADDRESS: WWW.GRUNDIG.DE MENU: DOWNLOADS
		720100555000		SERVICE MANUAL D/GB	SERVICE MANUAL D/GB
		720100555100		SERVICE MANUAL D/GB 1. ERGAENZUNG	SERVICE MANUAL D/GB 1ST SUPPLEMENT
		720108000001		SICHERHEITSMANUAL D/GB/E/F/I	SAFETY SERVICE MANUAL D/GB/E/F/I
				X = SIEHE GESONDERTE E-LISTE	X = SEE SEPARATE PARTS LIST

Ersatzteilliste
Spare Parts List

NUR FÜR INTERNEN GEBRAUCH
FOR INTERNAL USE ONLY

TV

5 / 2011

32 VLC 6120 C

BESTELL-NR. / ORDER NO.: GBJ4332 (JWF)

POS. NR. POS. NO.	ABB. FIG.	MATERIAL-NR. PART NUMBER	ANZ. QTY.	BEZEICHNUNG (D)	DESCRIPTION (GB)
		GBJ4332		32 VLC 6120 C PRODUKTCODE JWF KEIN E-TEIL	32 VLC 6120 C PRODUCT CODE JWF NO SPARE PART
				Hinweis: Sollte in dieser Ersatzteilliste Ihr "Product Code" oder Ihre Display-Variante nicht aufgeführt sein, finden Sie eine aktualisierte Version auf dem GRUNDIG Service-Portal "http://service.grundig.de" .	Note: If your "Product Code" or display variant is not mentioned in the spare parts list, please look for a current version at the GRUNDIG service portal "http://service.grundig.de" .
0001.000		759551512500		GEH.-VORDERTEIL SCHWARZ	FRONT CABINET BLACK
0002.000		759551601000		RUECKWAND SCHWARZ	BACK COVER BLACK
0003.000		759551588400		GEHAEUSELEISTE SILBER	COVER BAND SILVER
0005.000		759551572500		STANDFUSS SCHWARZ*1	STAND FOOT BLACK*1
0005.000		759551603100		STANDFUSS SCHWARZ*2	STAND FOOT BLACK*2
0007.000		759551496800		KNOPF BEDIENUNG SCHWARZ	KNOB CONTROL BLACK
0015.000		759551437700		LAUTSPRECHER 8 OHM 15/22.5W	LOUDSPEAKER 8 OHM 15/22.5W
0019.000		759551496500		KABEL DISPLAY-LVDS 400MM*1	CABLE DISPLAY-LVDS 400MM*1
0019.000		759551478000		LVDS-KABEL*2	LVDS-CABLE*2
0020.000	△	759551563100		LCD-DISPLAY LTA320HA02 -S06*1	LCD-DISPLAY LTA320HA02 -S06*1
0020.000	△	759551565700		LCD-DISPLAY LC320WUN-SCB1*2	LCD-DISPLAY LC320WUN-SCB1*2
0021.000		759551600300		INVERTERKABEL 400 MM *1	INVERTER CABLE 400 MM *1
0021.000		759551599700		INVERTERKABEL 300 MM *2	INVERTER CABLE 300 MM *2
0022.000	△	759551343100		NETZKABEL 180CM	POWER CABLE 180CM
0023.000	△	275990308100		LP-NETZTEILMODUL 24/8 FSP223-3	POWER SUPPLY BOARD 24/8 FSP22
0025.000	△	275991140100	X	LP-CHASSISMODUL SX (JWF)*1	CHASSIS BOARD SX (JWF)*1
0025.000	△	275991141500	X	LP-CHASSISMODUL SX (AT6)*2	CHASSIS BOARD SX (AT6)*2
0027.000		720117144800		FERNBEDIENUNG TP3	REMOTE CONTROL TP3
0028.000		720117145300		FERNBEDIENUNG TP EASY SCHWARZ	REMOTE CONTROL TP EASY BLACK
0029.000		275990230500		LP-BEDIENMODUL TT 26T8 CB8	CONTROL BOARD TT 26T8 CB8
0030.000		759551057800		TASTSCHALTER	KEY SWITCH
0032.000		759551504200		IR-EMPPFAENGER TSOP38438	IR RECEIVER TSOP38438
0033.000		759551541500		LED BLAU 5MM 3,5 V	LED BLUE 5MM 3,5 V
0090.000		759551517400		KARTON 32"	CARTON 32"
0091.000		759551517500		POLSTER OBEN	CUSHION TOP
0092.000		759551517600		POLSTER UNTEN	CUSHION BOTTOM
				DIE BEDIENUNGSANLEITUNG KOENNEN SIE IM INTERNET UNTER FOLGENDER ADRESSE ABRUFEN: WWW.GRUNDIG.DE MENU: DOWNLOADS	THE INSTRUCTION MANUAL CAN BE DOWNLOADED FROM THE INTERNET UNDER THE FOLLOWING ADDRESS: WWW.GRUNDIG.DE MENU: DOWNLOADS
		720100555000		SERVICE MANUAL D/GB	SERVICE MANUAL D/GB
		720100555100		SERVICE MANUAL D/GB 1. ERGAENZUNG	SERVICE MANUAL D/GB 1ST SUPPLEMENT
		720108000001		SICHERHEITSMANUAL D/GB/E/F/I	SAFETY SERVICE MANUAL D/GB/E/F/I
				X = SIEHE GESONDERTE E-LISTE	X = SEE SEPARATE PARTS LIST

Es gelten die Vorschriften und Sicherheitshinweise gemäß dem Service Manual "Sicherheit", Mat.-Nummer 720108000001, sowie zusätzlich die eventuell abweichenden, landesspezifischen Vorschriften!



The regulations and safety instructions shall be valid as provided by the "Safety" Service Manual, part number 720108000001, as well as the respective national deviations.

ÄNDERUNGEN VORBEHALTEN / SUBJECT TO ALTERATION

Es gelten die Vorschriften und Sicherheitshinweise gemäß dem Service Manual "Sicherheit", Mat.-Nummer 720108000001, sowie zusätzlich die eventuell abweichenden, landesspezifischen Vorschriften!



The regulations and safety instructions shall be valid as provided by the "Safety" Service Manual, part number 720108000001, as well as the respective national deviations.

ÄNDERUNGEN VORBEHALTEN / SUBJECT TO ALTERATION

Ersatzteilliste
Spare Parts List

NUR FÜR INTERNEN GEBRAUCH
FOR INTERNAL USE ONLY

TV

4 / 2011

32 VLC 9140 S

BESTELL-NR. / ORDER NO.: GBJ6132 (JVS)

POS. NR. POS. NO.	ABB. FIG.	MATERIAL-NR. PART NUMBER	ANZ. QTY.	BEZEICHNUNG (D)	DESCRIPTION (GB)
		GBJ6132		32 VLC 9140 S PRODUKTCODE JVS KEIN E-TEIL	32 VLC 9140 S PRODUCT CODE JVS NO SPARE PART
				Hinweis: Sollte in dieser Ersatzteilliste Ihr "Product Code" oder Ihre Display-Variante nicht aufgeführt sein, finden Sie eine aktualisierte Version auf dem GRUNDIG Service-Portal "http://service.grundig.de" .	Note: If your "Product Code" or display variant is not mentioned in the spare parts list, please look for a current version at the GRUNDIG service portal "http://service.grundig.de" .
0001.000		759551512500		GEH.-VORDERTEIL SCHWARZ	FRONT CABINET BLACK
0002.000		759551600000		RUECKWAND SCHWARZ	BACK COVER BLACK
0003.000		759551588400		GEHAUESELEISTE SILBER	COVER BAND SILVER
0005.000		759551572500		STANDFUSS SCHWARZ	STAND FOOT BLACK
0007.000		759551496800		KNOPF BEDIENUNG SCHWARZ	KNOB CONTROL BLACK
0015.000		759551437700		LAUTSPRECHER 8 OHM 15/22.5W	LOUDSPEAKER 8 OHM 15/22.5W
0018.000		759551491700		KABEL DISPLAY-LVDS 350MM	CABLE DISPLAY-LVDS 350MM
0019.000		759551512700		KABEL DISPLAY-LVDS 400MM	CABLE DISPLAY-LVDS 400MM
0020.000	△	759551559100		LCD-DISPLAY LC320WUD-SCB1	LCD-DISPLAY LC320WUD-SCB1
0021.000		759551599700		INVERTERKABEL 300 MM	INVERTERCABLE 300 MM
0022.000	△	759551350200		NETZKABEL 150 CM	POWER CABLE 150 CM
0023.000	△	275990308100		LP-NETZTEILMODUL 24/8 FSP223-3	POWER SUPPLY BOARD 24/8 FSP22
0024.000	△	759551574200		NETZSCHALTER OHNE HALTER	POWER SWITCH WITHOUT HOLDER
0025.000	△	275991137400	X	LP-CHASSISMODUL SX (JVS)	CHASSIS BOARD SX (JVS)
0027.000		720117144800		FERNBEDIENUNG TP3	REMOTE CONTROL TP3
0028.000		720117145300		FERNBEDIENUNG TP EASY SCHWARZ	REMOTE CONTROL TP EASY BLACK
0029.000		275990230500		LP-BEDIENMODUL TT 26T8 CB8	CONTROL BOARD TT 26T8 CB8
0030.000		759551057800		TAASTSCHALTER	KEY SWITCH
0032.000		759551504200		IR-EMPFANGER TSOP38438	IR RECEIVER TSOP38438
0033.000		759551541500		LED BLAU 5MM 3,5 V	LED BLUE 5MM 3,5 V
0036.000	△	759551567100		LP-SAT MODUL SH-DVB-S2 (HYZ)	LP-SAT BOARD SH-DVB-S2 (HYZ)
0090.000		759551517400		KARTON 32"	CARTON 32"
0091.000		759551517500		POLSTER OBEN	CUSHION TOP
0092.000		759551517600		POLSTER UNTEN	CUSHION BOTTOM
				DIE BEDIENUNGSANLEITUNG KOENNEN SIE IM INTERNET UNTER FOLGENDER ADRESSE ABRUFEN: WWW.GRUNDIG.DE MENU: DOWNLOADS	THE INSTRUCTION MANUAL CAN BE DOWNLOADED FROM THE INTERNET UNDER THE FOLLOWING ADDRESS: WWW.GRUNDIG.DE MENU: DOWNLOADS
		720100555000		SERVICE MANUAL D/GB	SERVICE MANUAL D/GB
		720100555100		SERVICE MANUAL D/GB 1. ERGAENZUNG	SERVICE MANUAL D/GB 1ST SUPPLEMENT
		720108000001		SICHERHEITSMANUAL D/GB/E/F/I	SAFETY SERVICE MANUAL D/GB/E/F/I
				X = SIEHE GESONDERTE E-LISTE	X = SEE SEPARATE PARTS LIST

Es gelten die Vorschriften und Sicherheitshinweise gemäß dem Service Manual "Sicherheit", Mat.-Nummer 720108000001, sowie zusätzlich die eventuell abweichenden, landesspezifischen Vorschriften!



The regulations and safety instructions shall be valid as provided by the "Safety" Service Manual, part number 720108000001, as well as the respective national deviations.

ÄNDERUNGEN VORBEHALTEN / SUBJECT TO ALTERATION

Ersatzteilliste
Spare Parts List

NUR FÜR INTERNEN GEBRAUCH
FOR INTERNAL USE ONLY

TV

4 / 2011

32 VLE 811 S DL

BESTELL-NR. / ORDER NO.: GBJ8632 (KBV)

POS. NR. POS. NO.	ABB. FIG.	MATERIAL-NR. PART NUMBER	ANZ. QTY.	BEZEICHNUNG (D)	DESCRIPTION (GB)
		GBJ8632		32 VLE 811 S DL PRODUKTCODE KBV KEIN E-TEIL	32 VLE 811 S DL PRODUCT CODE KBV NO SPARE PART
				Hinweis: Sollte in dieser Ersatzteilliste Ihr "Product Code" oder Ihre Display-Variante nicht aufgeführt sein, finden Sie eine aktualisierte Version auf dem GRUNDIG Service-Portal "http://service.grundig.de" .	Note: If your "Product Code" or display variant is not mentioned in the spare parts list, please look for a current version at the GRUNDIG service portal "http://service.grundig.de" .
0001.000		759551559000		GEH.- VORDERTEIL SCHWARZ	FRONT CABINET BLACK
0002.000		759551583000		RUECKWAND SCHWARZ	BACK COVER BLACK
0005.000		759551544500		STANDFUSS SCHWARZ	STAND FOOT BLACK
0007.000		759551544600		KNOPF PROG./VOL./STD-BY SCHWARZ	KNOB PROG./VOL./STD-BY SCHWARZ
0015.000		759551544700		LAUTSPRECHER KOMPLETT	SPEAKER COMPLETE
0018.000		759551491700		KABEL-LVDS 350MM*1	CABLE-LVDS 350MM*1
0018.000		759551566700		KABEL-LVDS 350MM51PIN*2	CABLE-LVDS 350MM51PIN*2
0019.000		759551505200		KABEL-LVDS 300MM*1	CABLE-LVDS 300MM*1
0019.000		759551566800		KABEL-LVDS 350MM41PIN*2	CABLE-LVDS 350MM41PIN*2
0020.000	△	759551599500		LCD-DISPLAY T315HW07 V300*1	LCD-DISPLAY T315HW07 V300*1
0020.000	△	759551566900		LCD-DISPLAY LTA320HF05-001*2	LCD-DISPLAY LTA320HF05-001*2
0021.000	△	759551599600		INVERTERKABEL 400 MM*1	INVERTERCABLE 400 MM*1
0021.000		759551599700		INVERTERKABEL 300 MM*2	INVERTERCABLE 300 MM*2
0022.000	△	759551343100		NETZKABEL 180CM	POWER CABLE 180CM
0023.000	△	275990310700		LP-NETZTEILMODUL 145W 32 SLIM	POWER BOARD 145W 32 SLIM PSU
0025.000	△	275991139500	X	LP-CHASSISMODUL SX (7U6)*1	CHASSIS BOARD SX (7U6)*1
0025.000	△	275991143300	X	LP-CHASSISMODUL SX (DF1)*2	CHASSIS BOARD SX (DF1)*2
0027.000	△	720117144800		FERNBEDIENUNG TP3	REMOTE CONTROL TP3
0028.000		720117145300		FERNBEDIENUNG TP EASY SCHWARZ	REMOTE CONTROL TP EASY BLACK
0030.000		759551057800		TASTSCHALTER	KEY SWITCH
0032.000		759551544900		IR-EMPFANGER TSOP35436TT	IR-RECEIVER TSOP35436TT
0033.000		759551549100		LED-SMD 1206 BLAU 250MCD 3.3V	LED-SMD 1206 BLUE 250MCD 3.3V
0036.000	△	759551583800		LP-SAT MODUL SH-DVB-S2 (VKK)	LP-SAT BOARD SH-DVB-S2 (VKK)
0037.000		759551600600		FLACHBANDKABEL 22 PIN SAT-MODU	CABLE FFC 22 PIN SAT-MODUL
0090.000		759551545500		KARTON LED 40"	CARTON LED 40"
0091.000		759551545100		POLSTER OBEN LINKS	CUSHION TOP LEFT
0092.000		759551545200		POLSTER OBEN RECHTS	CUSHION TOP RIGHT
0093.000		759551545300		POLSTER UNTEN LINKS	CUSHION BOTTOM LEFT
0094.000		759551545400		POLSTER UNTEN RECHTS	CUSHION BOTTOM RIGHT
0095.000		759551562800		POLSTER MITTELSTUECK	CUSHION MIDDLE
0096.000		759551565200		POLSTER MITTELSTUECK	CUSHION MIDDLEPART
				DIE BEDIENUNGSANLEITUNG KOENNEN SIE IM INTERNET UNTER FOLGENDER ADRESSE ABRUFEN: WWW.GRUNDIG.DE MENU: DOWNLOADS	THE INSTRUCTION MANUAL CAN BE DOWNLOADED FROM THE INTERNET UNDER THE FOLLOWING ADDRESS: WWW.GRUNDIG.DE MENU: DOWNLOADS
		720100555000		SERVICE MANUAL D/GB	SERVICE MANUAL D/GB
		720100555100		SERVICE MANUAL D/GB 1. ERGAENZUNG	SERVICE MANUAL D/GB 1ST SUPPLEMENT
		720108000001		SICHERHEITSMANUAL D/GB/E/F/I	SAFETY SERVICE MANUAL D/GB/E/F/I
				X = SIEHE GESONDERTE E-LISTE	X = SEE SEPARATE PARTS LIST

Es gelten die Vorschriften und Sicherheitshinweise gemäß dem Service Manual "Sicherheit", Mat.-Nummer 720108000001, sowie zusätzlich die eventuell abweichenden, landesspezifischen Vorschriften!



The regulations and safety instructions shall be valid as provided by the "Safety" Service Manual, part number 720108000001, as well as the respective national deviations.

ÄNDERUNGEN VORBEHALTEN / SUBJECT TO ALTERATION

Ersatzteilliste
Spare Parts List

NUR FÜR INTERNEN GEBRAUCH
FOR INTERNAL USE ONLY

TV

4 / 2011

32 VLE 7140 C

BESTELL-NR. / ORDER NO.: GBJ5132 (JNJ, JPU)

POS. NR. POS. NO.	ABB. FIG.	MATERIAL-NR. PART NUMBER	ANZ. QTY.	BEZEICHNUNG (D)	DESCRIPTION (GB)
		GBJ5132		32 VLE 7140 C BLACK PRODUKTCODE JNJ KEIN E-TEIL	32 VLE 7140 C BLACK PRODUCT CODE JNJ NO SPARE PART
				Hinweis: Sollte in dieser Ersatzteilliste Ihr "Product Code" oder Ihre Display-Variante nicht aufgeführt sein, finden Sie eine aktualisierte Version auf dem GRUNDIG Service-Portal "http://service.grundig.de" .	Note: If your "Product Code" or display variant is not mentioned in the spare parts list, please look for a current version at the GRUNDIG service portal "http://service.grundig.de" .
0001.000		759551544300		GEH.- VORDERTEIL SCHWARZ	FRONT CABINET BLACK
0002.000		759551583200		RUECKWAND SCHWARZ	BACK COVER BLACK
0005.000		759551544500		STANDFUSS SCHWARZ	STAND FOOT BLACK
0007.000		759551544600		KNOPF PROG./VOL./STD-BY SCHWARZ	KNOB PROG./VOL./STD-BY SCHWARZ
0015.000		759551544700		LAUTSPRECHER KOMPLETT	SPEAKER COMPLETE
0018.000		759551566700		KABEL DISPLAY -LVDS 350 MM	CABLE DISPLAY -LVDS 350 MM
0019.000		759551566800		KABEL DISPLAY -LVDS 350 MM	CABLE DISPLAY -LVDS 350 MM
0020.000	△	759551566900		LCD-DISPLAY SS LTA320HF05-001	LCD-DISPLAY SS LTA320HF05-001
0022.000	△	759551343100		NETZKABEL 180CM	POWER CABLE 180CM
0023.000	△	275990310700		LP-NETZTEILMODUL 145W 32 SLIM	POWER BOARD 145W 32 SLIM PSU
0025.000	△	275991134100	X	LP-CHASSISMODUL SX (JNJ)	CHASSIS BOARD SX (JNJ)
0027.000		720117144800		FERNBEDIENUNG TP3	REMOTE CONTROL TP3
0028.000		720117145300		FERNBEDIENUNG TP EASY SCHWARZ	REMOTE CONTROL TP EASY BLACK
0030.000		759551057800		TASTSCHALTER	KEY SWITCH
0032.000		759551544900		IR-EMPFÄNGER TSOP35436TT	IR-RECEIVER TSOP35436TT
0033.000		759551549100		LED-SMD 1206 BLAU 250MCD 3.3V	LED-SMD 1206 BLUE 250MCD 3.3V
0090.000		759551545500		KARTON LED 40"	CARTON LED 40"
0091.000		759551545100		POLSTER OBEN LINKS	CUSHION TOP LEFT
0092.000		759551545200		POLSTER OBEN RECHTS	CUSHION TOP RIGHT
0093.000		759551545300		POLSTER UNTEN LINKS	CUSHION BOTTOM LEFT
0094.000		759551545400		POLSTER UNTEN RECHTS	CUSHION BOTTOM RIGHT
0095.000		759551562800		POLSTER MITTELSTUECK	CUSHION MIDDLE
		GBJ5132		32 VLE 7140 C BLACK PRODUKTCODE JPU KEIN E-TEIL	32 VLE 7140 C BLACK PRODUCT CODE JPU NO SPARE PART
0001.000		759551544300		GEH.- VORDERTEIL SCHWARZ	FRONT CABINET BLACK
0002.000		759551583200		RUECKWAND SCHWARZ	BACK COVER BLACK
0005.000		759551544500		STANDFUSS SCHWARZ	STAND FOOT BLACK
0007.000		759551544600		KNOPF PROG./VOL./STD-BY SCHWARZ	KNOB PROG./VOL./STD-BY SCHWARZ
0015.000		759551544700		LAUTSPRECHER KOMPLETT	SPEAKER COMPLETE
0018.000		759551566700		KABEL DISPLAY -LVDS 350 MM*1	CABLE DISPLAY -LVDS 350 MM*1
0018.000		759551491700		KABEL DISPLAY -LVDS 350 MM*2/3	CABLE DISPLAY -LVDS 350 MM*2/3
0019.000		759551566800		KABEL DISPLAY -LVDS 350 MM*1	CABLE DISPLAY -LVDS 350 MM*1
0019.000		759551505200		KABEL DISPLAY -LVDS 300 MM*2/3	CABLE DISPLAY -LVDS 300 MM*2/3
0020.000	△	759551566900		LCD-DISPLAY LTA320HF05-001*1	LCD-DISPLAY LTA320HF05-001*1
0020.000	△	759551599500		LCD-DISPLAY T315HW07 V300*2	LCD-DISPLAY T315HW07 V300*2
0020.000	△	759551592400		LCD-DISPLAY LC320EUD-SCA2*3	LCD-DISPLAY LC320EUD-SCA2*3
0021.000		759551599700		INVERTERKABEL 300 MM*1/3	INVERTERCABLE 300 MM*1/3
0021.000		759551599600		INVERTERKABEL 400 MM*2	INVERTERCABLE 400 MM*2
0022.000	△	759551343100		NETZKABEL 180CM	POWER CABLE 180CM
0023.000	△	275990310700		LP-NETZTEILMODUL 145W 32 SLIM	POWER BOARD 145W 32 SLIM PSU
0025.000	△	275991136600	X	LP-CHASSISMODUL SX (JPU)*1	CHASSIS BOARD SX (JPU)*1
0025.000	△	275991136700	X	LP-CHASSISMODUL SX (7E8)*2	CHASSIS BOARD SX (7E8)*2

ÄNDERUNGEN VORBEHALTEN / SUBJECT TO ALTERATION

POS. NR. POS. NO.	ABB. FIG.	MATERIAL-NR. PART NUMBER	ANZ. QTY.	BEZEICHNUNG (D)	DESCRIPTION (GB)
0025.000	△	275991139600	X	LC-CHASSISMODUL SX (7W6)*3	CHASSIS BOARD SX (7W6)*3
0027.000		720117144800		FERNBEDIENUNG TP3	REMOTE CONTROL TP3
0028.000		720117145300		FERNBEDIENUNG TP EASY SCHWARZ	REMOTE CONTROL TP EASY BLACK
0030.000		759551057800		TASTSCHALTER	KEY SWITCH
0032.000		759551544900		IR-EMPFÄNGER TSOP35436TT	IR-RECEIVER TSOP35436TT
0033.000		759551549100		LED-SMD 1206 BLAU 250MCD 3.3V	LED-SMD 1206 BLUE 250MCD 3.3V
0090.000		759551545500		KARTON LED 40"	CARTON LED 40"
0091.000		759551545100		POLSTER OBEN LINKS	CUSHION TOP LEFT
0092.000		759551545200		POLSTER OBEN RECHTS	CUSHION TOP RIGHT
0093.000		759551562800		POLSTER MITTELSTUECK	CUSHION MIDDLE
0094.000		759551545300		POLSTER UNTEN LINKS	CUSHION BOTTOM LEFT
0095.000		759551545400		POLSTER UNTEN RECHTS	CUSHION BOTTOM RIGHT
0096.000		759551565200		POLSTER MITTELSTUECK	CUSHION MIDDLEPART
				DIE BEDIENUNGSANLEITUNG KOENNEN SIE IM INTERNET UNTER FOLGENDER ADRESSE ABRUFEN: WWW.GRUNDIG.DE MENU: DOWNLOADS	THE INSTRUCTION MANUAL CAN BE DOWNLOADED FROM THE INTERNET UNDER THE FOLLOWING ADDRESS: WWW.GRUNDIG.DE MENU: DOWNLOADS
		720100555000		SERVICE MANUAL D/GB	SERVICE MANUAL D/GB
		720100555100		SERVICE MANUAL D/GB 1. ERGAENZUNG	SERVICE MANUAL D/GB 1ST SUPPLEMENT
		720108000001		SICHERHEITSMANUAL D/GB/E/F/I	SAFETY SERVICE MANUAL D/GB/E/F/I
				X = SIEHE GESONDERTE E-LISTE	X = SEE SEPARATE PARTS LIST

Es gelten die Vorschriften und Sicherheitshinweise gemäß dem Service Manual "Sicherheit", Mat.-Nummer 720108000001, sowie zusätzlich die eventuell abweichenden, landesspezifischen Vorschriften!



The regulations and safety instructions shall be valid as provided by the "Safety" Service Manual, part number 720108000001, as well as the respective national deviations.

ÄNDERUNGEN VORBEHALTEN / SUBJECT TO ALTERATION

Ersatzteilliste Spare Parts List

**NUR FÜR INTERNEN GEBRAUCH
FOR INTERNAL USE ONLY**

TV

2 / 2011

32 VLE 7150 C

BESTELL-NR. / ORDER NO.: GBJ5432 (JSY, KFP)

POS. NR. POS. NO.	ABB. FIG.	MATERIAL-NR. PART NUMBER	ANZ. QTY.	BEZEICHNUNG D	DESCRIPTION GB
----------------------	--------------	-----------------------------	--------------	------------------	-------------------

GBJ5432

32 VLE 7150 C
PRODUKTCODE JSY
KEIN E-TEIL

32 VLE 7150 C
PRODUCT CODE JSY
NO SPARE PART

Hinweis:

Sollte in dieser Ersatzteilliste Ihr "Product Code" oder Ihre Display-Variante nicht aufgeführt sein, finden Sie eine aktualisierte Version auf dem GRUNDIG Service-Portal ["http://service.grundig.de"](http://service.grundig.de).

Note:

If your "Product Code" or display variant is not mentioned in the spare parts list, please look for a current version at the GRUNDIG service portal ["http://service.grundig.de"](http://service.grundig.de).

0001.000		759551583300		GEH.- VORDERTEIL WEISS	FRONT CABINET WHITE
0002.000		759551583400		RUECKWAND WEISS	BACK COVER WHITE
0005.000		759551583500		STANDFUSS WEISS	STAND FOOT WHITE
0007.000		759551583600		KNOPF PROG./VOL./STD-BY WEISS	KNOB PROG./VOL./STD-BY WHITE
0015.000		759551544700		LAUTSPRECHER KOMPLETT	SPEAKER COMPLETE
0018.000		759551566700		KABEL DISPLAY -LVDS 350 MM*1	CABLE DISPLAY -LVDS 350 MM*1
0018.000		759551491700		KABEL DISPLAY -LVDS 350 MM*2	CABLE DISPLAY -LVDS 350 MM*2
0019.000		759551566800		KABEL DISPLAY -LVDS 350 MM*1	CABLE DISPLAY -LVDS 350 MM*1
0019.000		759551505200		KABEL DISPLAY -LVDS 300 MM*2	CABLE DISPLAY -LVDS 300 MM*2
0020.000	△	759551566900		LCD-DISPLAY LTA320HF05-001*1	LCD-DISPLAY LTA320HF05-001*1
0020.000	△	759551599500		LCD-DISPLAY T315HW07 V300*2	LCD-DISPLAY T315HW07 V300*2
0021.000		759551599600		INVERTERKABEL 400MM*2	INVERTERCABLE 400MM*2
0022.000	△	759551343100		NETZKABEL 180CM	POWER CABLE 180CM
0023.000	△	275990310700		LP-NETZTEILMODUL 145W 32 SLIM	POWER BOARD 145W 32 SLIM PSU
0025.000	△	275991132500	X	LP-CHASSISMODUL SX (JSY)*1	CHASSIS BOARD SX (JSY)*1
0025.000	△	275991136700	X	LP-CHASSISMODUL SX (7E8)*2	CHASSIS BOARD SX (7E8)*2
0027.000		720117144800		FERNBEDIENUNG TP3	REMOTE CONTROL TP3
0028.000		720117145400		FERNBEDIENUNG TP EASY WEISS	REMOTE CONTROL TP EASY WEISS
0030.000		759551057800		TASTSCHALTER	KEY SWITCH
0032.000		759551544900		IR-EMPPFAENGER TSOP35436TT	IR-RECEIVER TSOP35436TT
0033.000		759551549100		LED-SMD 1206 BLAU 250MCD 3.3V	LED-SMD 1206 BLUE 250MCD 3.3V
0090.000		759551545500		KARTON LED 40"	CARTON LED 40"
0091.000		759551558200		POLSTER OBEN / UNTEN	CUSHION TOP / BOTTOM
0092.000		759551545100		POLSTER OBEN LINKS	CUSHION TOP LEFT
0093.000		759551545200		POLSTER OBEN RECHTS	CUSHION TOP RIGHT
0094.000		759551545300		POLSTER UNTEN LINKS	CUSHION BOTTOM LEFT
0095.000		759551545400		POLSTER UNTEN RECHTS	CUSHION BOTTOM RIGHT
0096.000		759551562800		POLSTER MITTELSTUECK	CUSHION MIDDLE

GBJ5432

32 VLE 7150 C
PRODUKTCODE KFP
KEIN E-TEIL

32 VLE 7150 C
PRODUCT CODE KFP
NO SPARE PART

0001.000		759551583300		GEH.- VORDERTEIL WEISS	FRONT CABINET WHITE
0002.000		759551583400		RUECKWAND WEISS	BACK COVER WHITE
0005.000		759551583500		STANDFUSS WEISS	STAND FOOT WHITE
0007.000		759551583600		KNOPF PROG./VOL./STD-BY WEISS	KNOB PROG./VOL./STD-BY WHITE
0015.000		759551544700		LAUTSPRECHER KOMPLETT	SPEAKER COMPLETE
0018.000		759551566700		KABEL DISPLAY -LVDS 350 MM 51P	CABLE DISPLAY -LVDS 350 MM 51P
0019.000		759551566800		KABEL DISPLAY -LVDS 350 MM 41P	CABLE DISPLAY -LVDS 350 MM 41P
0020.000	△	759551566900		LCD-DISPLAY SS LTA320HF05-001	LCD-DISPLAY SS LTA320HF05-001
0021.000		759551599700		INVERTERKABEL 300 MM	INVERTERCABLE 300 MM
0022.000	△	759551343100		NETZKABEL 180CM	POWER CABLE 180CM
0023.000	△	275990310700		LP-NETZTEILMODUL 145W 32 SLIM	POWER BOARD 145W 32 SLIM PSU
0025.000	△	275991132500	X	LP-CHASSISMODUL SX (JSY)	CHASSIS BOARD SX (JSY)

ÄNDERUNGEN VORBEHALTEN / SUBJECT TO ALTERATION

POS. NR. POS. NO.	ABB. FIG.	MATERIAL-NR. PART NUMBER	ANZ. QTY.	BEZEICHNUNG D	DESCRIPTION GB
0027.000		720117144800		FERNBEDIENUNG TP3	REMOTE CONTROL TP3
0028.000		720117145400		FERNBEDIENUNG TP EASY WEISS	REMOTE CONTROL TP EASY WHITE
0030.000		759551057800		TASTSCHALTER	KEY SWITCH
0032.000		759551544900		IR-EMPPFAENGER TSOP35436TT	IR-RECEIVER TSOP35436TT
0033.000		759551549100		LED-SMD 1206 BLAU 250MCD 3.3V	LED-SMD 1206 BLUE 250MCD 3.3V
0090.000		759551545500		KARTON LED 40"	CARTON LED 40"
0091.000		759551545100		POLSTER OBEN LINKS	CUSHION TOP LEFT
0092.000		759551545200		POLSTER OBEN RECHTS	CUSHION TOP RIGHT
0093.000		759551545300		POLSTER UNTEN LINKS	CUSHION BOTTOM LEFT
0094.000		759551545400		POLSTER UNTEN RECHTS	CUSHION BOTTOM RIGHT
0095.000		759551562800		POLSTER MITTELSTUECK	CUSHION MIDDLE
0096.000		759551565200		POLSTER MITTELSTUECK	CUSHION MIDDLEPART

DIE BEDIENUNGSANLEITUNG KOENNEN SIE IM INTERNET UNTER FOLGENDER ADRESSE ABRUFEN: WWW.GRUNDIG.DE MENU: DOWNLOADS

THE INSTRUCTION MANUAL CAN BE DOWNLOADED FROM THE INTERNET UNDER THE FOLLOWING ADDRESS: WWW.GRUNDIG.DE MENU: DOWNLOADS

720100555000
720100555100
720108000001

SERVICE MANUAL D/GB
SERVICE MANUAL D/GB 1. ERGAENZUNG
SICHERHEITSMANUAL D/GB/E/F/I

SERVICE MANUAL D/GB
SERVICE MANUAL D/GB 1ST SUPPLEMENT
SAFETY SERVICE MANUAL D/GB/E/F/I

X = SIEHE GESONDERTE E-LISTE

X = SEE SEPARATE PARTS LIST

Es gelten die Vorschriften und Sicherheitshinweise gemäß dem Service Manual "Sicherheit", Mat.-Nummer 720108000001, sowie zusätzlich die eventuell abweichenden, landesspezifischen Vorschriften!



The regulations and safety instructions shall be valid as provided by the "Safety" Service Manual, part number 720108000001, as well as the respective national deviations.

ÄNDERUNGEN VORBEHALTEN / SUBJECT TO ALTERATION

Ersatzteilliste
Spare Parts List

NUR FÜR INTERNEN GEBRAUCH
FOR INTERNAL USE ONLY

TV

2 / 2011

32 VLE 7160 C

BESTELL-NR. / ORDER NO.: GBJ5332 (JSV)

POS. NR. POS. NO.	ABB. FIG.	MATERIAL-NR. PART NUMBER	ANZ. QTY.	BEZEICHNUNG (D)	DESCRIPTION (GB)
		GBJ5332		32 VLE 7160 C PRODUKTCODE JSV KEIN E-TEIL	32 VLE 7160 C PRODUCT CODE JSV NO SPARE PART
				Hinweis: Sollte in dieser Ersatzteilliste Ihr "Product Code" oder Ihre Display-Variante nicht aufgeführt sein, finden Sie eine aktualisierte Version auf dem GRUNDIG Service-Portal "http://service.grundig.de" .	Note: If your "Product Code" or display variant is not mentioned in the spare parts list, please look for a current version at the GRUNDIG service portal "http://service.grundig.de" .
0001.000		759551544300		GEH.- VORDERTEIL SCHWARZ	FRONT CABINET BLACK
0002.000		759551583200		RUECKWAND SCHWARZ	BACK COVER BLACK
0005.000		759551544500		STANDFUSS SCHWARZ	STAND FOOT BLACK
0007.000		759551544600		KNOPF PROG./VOL./STD-BY SCHWARZ	KNOB PROG./VOL./STD-BY SCHWARZ
0015.000		759551544700		LAUTSPRECHER KOMPLETT	SPEAKER COMPLETE
0018.000		759551566700		KABEL DISPLAY -LVDS 350 MM	CABLE DISPLAY -LVDS 350 MM
0019.000		759551566800		KABEL DISPLAY -LVDS 350 MM	CABLE DISPLAY -LVDS 350 MM
0020.000	△	759551566900		LCD-DISPLAY SS LTA320HF05-001	LCD-DISPLAY SS LTA320HF05-001
0022.000	△	759551343100		NETZKABEL 180CM	POWER CABLE 180CM
0023.000	△	275990310700		LP-NETZTEILMODUL 145W 32 SLIM	POWER BOARD 145W 32 SLIM PSU
0025.000	△	275991132500	X	LP-CHASSISMODUL SX (JSY)	CHASSIS BOARD SX (JSY)
0027.000		720117144800		FERNBEDIENUNG TP3	REMOTE CONTROL TP3
0030.000		759551057800		TASTSCHALTER	KEY SWITCH
0032.000		759551544900		IR-EMPPFAENGER TSOP35436TT	IR-RECEIVER TSOP35436TT
0033.000		759551549100		LED-SMD 1206 BLAU 250MCD 3.3V	LED-SMD 1206 BLUE 250MCD 3.3V
0090.000		759551545500		KARTON LED 40"	CARTON LED 40"
0091.000		759551558200		POLSTER OBEN / UNTEN	CUSHION TOP / BOTTOM
0092.000		759551545100		POLSTER OBEN LINKS	CUSHION TOP LEFT
0093.000		759551545200		POLSTER OBEN RECHTS	CUSHION TOP RIGHT
0094.000		759551545300		POLSTER UNTEN LINKS	CUSHION BOTTOM LEFT
0095.000		759551545400		POLSTER UNTEN RECHTS	CUSHION BOTTOM RIGHT
0096.000		759551562800		POLSTER MITTELSTUECK	CUSHION MIDDLE
				DIE BEDIENUNGSANLEITUNG KOENNEN SIE IM INTERNET UNTER FOLGENDER ADRESSE ABRUFEN: WWW.GRUNDIG.DE MENU: DOWNLOADS	THE INSTRUCTION MANUAL CAN BE DOWNLOADED FROM THE INTERNET UNDER THE FOLLOWING ADDRESS: WWW.GRUNDIG.DE MENU: DOWNLOADS
		720100555000		SERVICE MANUAL D/GB	SERVICE MANUAL D/GB
		720100555100		SERVICE MANUAL D/GB 1. ERGAENZUNG	SERVICE MANUAL D/GB 1ST SUPPLEMENT
		720108000001		SICHERHEITSMANUAL D/GB/E/F/I	SAFETY SERVICE MANUAL D/GB/E/F/I
				X = SIEHE GESONDERTE E-LISTE	X = SEE SEPARATE PARTS LIST

61

Es gelten die Vorschriften und Sicherheitshinweise gemäß dem Service Manual "Sicherheit", Mat.-Nummer 720108000001, sowie zusätzlich die eventuell abweichenden, landesspezifischen Vorschriften!



The regulations and safety instructions shall be valid as provided by the "Safety" Service Manual, part number 720108000001, as well as the respective national deviations.

ÄNDERUNGEN VORBEHALTEN / SUBJECT TO ALTERATION

Ersatzteilliste
Spare Parts List

NUR FÜR INTERNEN GEBRAUCH
FOR INTERNAL USE ONLY

TV

4 / 2011

32 VLE 8140 S DL

BESTELL-NR. / ORDER NO.: GBJ8032 (JHL)

POS. NR. POS. NO.	ABB. FIG.	MATERIAL-NR. PART NUMBER	ANZ. QTY.	BEZEICHNUNG (D)	DESCRIPTION (GB)
		GBJ8032		32 VLE 8140 S DL SILVER PRODUKTCODE JHL KEIN E-TEIL	32 VLE 8140 S DL SILVER PRODUCT CODE JHL NO SPARE PART
				Hinweis: Sollte in dieser Ersatzteilliste Ihr "Product Code" oder Ihre Display-Variante nicht aufgeführt sein, finden Sie eine aktualisierte Version auf dem GRUNDIG Service-Portal "http://service.grundig.de" .	Note: If your "Product Code" or display variant is not mentioned in the spare parts list, please look for a current version at the GRUNDIG service portal "http://service.grundig.de" .
0001.000		759551550500		GEH.- VORDERTEIL SILBER	FRONT CABINET SILVER
0002.000		759551588700		RUECKWAND SILBER	BACK COVER SILVER
0005.000		759551550700		STANDFUSS SILBER	STAND FOOT SILVER
0006.000		759551574100		STANDFUSS ZWISCHENSTUECK	STAND FOOT MIDDLEPART
0007.000		759551550800		KNOPF PRG./ON-OFF SILBER	KNOB PRG./ON-OFF SILVER
0015.000		759551544700		LAUTSPRECHER KOMPLETT	SPEAKER COMPLETE
0018.000		759551491700		KABEL DISPLAY-LVDS 350MM*1/2	CABLE DISPLAY-LVDS 350MM*1/2
0018.000		759551566700		KABEL DISPLAY-LVDS 350MM*3	CABLE DISPLAY-LVDS 350MM*3
0019.000		759551505200		KABEL DISPLAY-LVDS 300MM*1/2	CABLE DISPLAY-LVDS 300MM*1/2
0019.000		759551566800		KABEL DISPLAY-LVDS 350MM*3	CABLE DISPLAY-LVDS 350MM*3
0020.000	△	759551599500		LCD-DISPLAY T315HW07 V300*1	LCD-DISPLAY T315HW07 V300*1
0020.000	△	759551592400		LCD-DISPLAY LC320EUD-SCA2*2	LCD-DISPLAY LC320EUD-SCA2*2
0020.000	△	759551566900		LCD-DISPLAY LTA320HF05-001*3	LCD-DISPLAY LTA320HF05-001*3
0021.000		759551599600		INVERTERKABEL 400 MM*1	INVERTERCABLE 400 MM*1
0021.000		759551599700		INVERTERKABEL 300 MM*2/3	INVERTERCABLE 300 MM*2/3
0022.000	△	759551343100		NETZKABEL 180CM	POWER CABLE 180CM
0023.000	△	275990310700		LP-NETZTEILMODUL 145W 32 SLIM	POWER BOARD 145W 32 SLIM PSU
0025.000	△	275991136800	X	LP-CHASSISMODUL SX (JHL)*1	CHASSIS BOARD SX (JHL)*1
0025.000	△	275991139800	X	LP-CHASSISMODUL SX (7U2)*2	CHASSIS BOARD SX (7U2)*2
0025.000	△	275991139700	X	LP-CHASSISMODUL SX (VPX)*3	CHASSIS BOARD SX (VPX)*3
0027.000		720117144800		FERNBEDIENUNG TP3	REMOTE CONTROL TP3
0028.000		720117145400		FERNBEDIENUNG TP EASY WEISS	REMOTE CONTROL TP EASY WHITE
0030.000		759551057800		TASTSCHALTER	KEY SWITCH
0032.000		759551544900		IR-EMPPFAENGER TSOP35436TT	IR-RECEIVER TSOP35436TT
0033.000		759551549100		LED-SMD 1206 BLAU 250MCD 3.3V	LED-SMD 1206 BLUE 250MCD 3.3V
0036.000	△	759551567100		LP-SAT MODUL SH-DVB-S2 (HYZ)	LP-SAT BOARD SH-DVB-S2 (HYZ)
0090.000		759551545500		KARTON LED 40"	CARTON LED 40"
0091.000		759551545100		POLSTER OBEN LINKS	CUSHION TOP LEFT
0092.000		759551545200		POLSTER OBEN RECHTS	CUSHION TOP RIGHT
0093.000		759551562800		POLSTER MITTELSTUECK	CUSHION MIDDLE
0094.000		759551545300		POLSTER UNTEN LINKS	CUSHION BOTTOM LEFT
0095.000		759551545400		POLSTER UNTEN RECHTS	CUSHION BOTTOM RIGHT
0096.000		759551565200		POLSTER MITTELSTUECK	CUSHION MIDDLEPART
				DIE BEDIENUNGSANLEITUNG KOENNEN SIE IM INTERNET UNTER FOLGENDER ADRESSE ABRUFEN: WWW.GRUNDIG.DE MENU: DOWNLOADS	THE INSTRUCTION MANUAL CAN BE DOWNLOADED FROM THE INTERNET UNDER THE FOLLOWING ADDRESS: WWW.GRUNDIG.DE MENU: DOWNLOADS
		720100555000		SERVICE MANUAL D/GB	SERVICE MANUAL D/GB
		720100555100		SERVICE MANUAL D/GB 1. ERGAENZUNG	SERVICE MANUAL D/GB 1ST SUPPLEMENT
		720108000001		SICHERHEITSMANUAL D/GB/E/F/I	SAFETY SERVICE MANUAL D/GB/E/F/I

Es gelten die Vorschriften und Sicherheitshinweise gemäß dem Service Manual "Sicherheit", Mat.-Nummer 720108000001, sowie zusätzlich die eventuell abweichenden, landesspezifischen Vorschriften!



The regulations and safety instructions shall be valid as provided by the "Safety" Service Manual, part number 720108000001, as well as the respective national deviations.

ÄNDERUNGEN VORBEHALTEN / SUBJECT TO ALTERATION

Ersatzteilliste
Spare Parts List

NUR FÜR INTERNEN GEBRAUCH
FOR INTERNAL USE ONLY

TV

4 / 2011

32 VLE 8141 S DL

BESTELL-NR. / ORDER NO.: GBJ8132 (JSJ)

POS. NR. POS. NO.	ABB. FIG.	MATERIAL-NR. PART NUMBER	ANZ. QTY.	BEZEICHNUNG (D)	DESCRIPTION (GB)
<p>GBJ8132</p> <p>32 VLE 8141 S DL CHROME/ANTRACITE PRODUKTCODE JSJ KEIN E-TEIL</p> <p>Hinweis: Sollte in dieser Ersatzteilliste Ihr "Product Code" oder Ihre Display-Variante nicht aufgeführt sein, finden Sie eine aktualisierte Version auf dem GRUNDIG Service-Portal "http://service.grundig.de".</p> <p>32 VLE 8141 S DL CHROME/ANTRACITE PRODUKT CODE JSJ NO SPARE PART</p> <p>Note: If your "Product Code" or display variant is not mentioned in the spare parts list, please look for a current version at the GRUNDIG service portal "http://service.grundig.de".</p>					
0001.000		759551588600		GEH.- VORDERTEIL SILBER	FRONT CABINET SILVER
0002.000		759551588700		RUECKWAND SILBER	BACK COVER SILVER
0005.000		759551550700		STANDFUSS SILBER	STAND FOOT SILVER
0006.000		759551574100		STANDFUSS ZWISCHENSTUECK	STAND FOOT MIDDLEPART
0007.000		759551550800		KNOPF PRG./ON-OFF SILBER	KNOB PRG./ON-OFF SILVER
0015.000		759551544700		LAUTSPRECHER KOMPLETT	SPEAKER COMPLETE
0018.000		759551566700		KABEL DISPLAY -LVDS 350 MM*1	CABLE DISPLAY -LVDS 350 MM*1
0018.000		759551505200		KABEL DISPLAY -LVDS 300 MM*2*3	CABLE DISPLAY -LVDS 300 MM*2*3
0019.000		759551566800		KABEL DISPLAY -LVDS 350 MM*1	CABLE DISPLAY -LVDS 350 MM*1
0019.000		759551491700		KABEL DISPLAY -LVDS 350 MM*2*3	CABLE DISPLAY -LVDS 350 MM*2*3
0020.000	△	759551566900		LCD-DISPLAY LTA320HF05-001*1	LCD-DISPLAY LTA320HF05-001*1
0020.000	△	759551592400		LCD-DISPLAY LC320EUD-SCA2*2	LCD-DISPLAY LC320EUD-SCA2*2
0020.000	△	759551599500		LCD-DISPLAY T315HW07 V300*3	LCD-DISPLAY T315HW07 V300*3
0021.000		759551599700		INVERTERKABEL 300 MM*2	INVERTERCABLE 300 MM*2
0021.000		759551599600		INVERTERKABEL 400 MM*3	INVERTERCABLE 400 MM*3
0022.000	△	759551343100		NETZKABEL 180CM	POWER CABLE 180CM
0023.000	△	275990310700		LP-NETZTEILMODUL 145W 32 SLIM	POWER BOARD 145W 32 SLIM PSU
0025.000	△	275991134300	X	LP-CHASSISMODUL SX (JTF)*1	CHASSISBOARD SX (JTF)*1
0025.000	△	275991139400	X	LP-CHASSISMODUL SX (JSJ)*2	CHASSISBOARD SX (JSJ)*2
0025.000	△	275991139500	X	LP-CHASSISMODUL SX (7U6)*3	CHASSISBOARD SX (7U6)*3
0027.000		720117144800		FERNBEDIENUNG TP3	REMOTE CONTROL TP3
0028.000		7201171445400		FERNBEDIENUNG TP EASY WEISS	REMOTE CONTROL TP EASY WHITE
0030.000		759551057800		TASTSCHALTER	KEY SWITCH
0032.000		759551544900		IR-EMPFÄNGER TSOP35436TT	IR-RECEIVER TSOP35436TT
0033.000		759551549100		LED-SMD 1206 BLAU 250MCD 3.3V	LED-SMD 1206 BLUE 250MCD 3.3V
0036.000	△	759551567100		LP-SAT MODUL SH-DVB-S2 (HYZ)*1*2	LP-SAT BOARD SH-DVB-S2 (HYZ)*1*2
0036.000	△	759551583800		LP-SAT MODUL SH-DVB-S2 (VKK)*3	LP-SAT BOARD SH-DVB-S2 (VKK)*3
0037.000		759551600600		FLACHBANDKABEL 22PIN SAT-MODUL*2*3	CABLE FFC 22PIN SAT-MODUL*2*3
0090.000		759551545500		KARTON LED 40"	CARTON LED 40"
0091.000		759551545100		POLSTER OBEN LINKS	CUSHION TOP LEFT
0092.000		759551545200		POLSTER OBEN RECHTS	CUSHION TOP RIGHT
0093.000		759551545300		POLSTER UNTEN LINKS	CUSHION BOTTOM LEFT
0094.000		759551545400		POLSTER UNTEN RECHTS	CUSHION BOTTOM RIGHT
0095.000		759551562800		POLSTER MITTELSTUECK	CUSHION MIDDLE
0096.000		759551565200		POLSTER MITTELSTUECK	CUSHION MIDDLEPART
				DIE BEDIENUNGSANLEITUNG KOENNEN SIE IM INTERNET UNTER FOLGENDER ADRESSE ABRUFEN: WWW.GRUNDIG.DE MENU: DOWNLOADS	THE INSTRUCTION MANUAL CAN BE DOWNLOADED FROM THE INTERNET UNDER THE FOLLOWING ADDRESS: WWW.GRUNDIG.DE MENU: DOWNLOADS
		720100555000		SERVICE MANUAL D/GB	SERVICE MANUAL D/GB
		720100555100		SERVICE MANUAL D/GB 1. ERGAENZUNG	SERVICE MANUAL D/GB 1ST SUPPLEMENT
		720108000001		SICHERHEITSMANUAL D/GB/E/F/I	SAFETY SERVICE MANUAL D/GB/E/F/I
				X = SIEHE GESONDERTE E-LISTE	X = SEE SEPARATE PARTS LIST

Es gelten die Vorschriften und Sicherheitshinweise gemäß dem Service Manual "Sicherheit", Mat.-Nummer 720108000001, sowie zusätzlich die eventuell abweichenden, landesspezifischen Vorschriften!



The regulations and safety instructions shall be valid as provided by the "Safety" Service Manual, part number 720108000001, as well as the respective national deviations.

ÄNDERUNGEN VORBEHALTEN / SUBJECT TO ALTERATION

Ersatzteilliste
Spare Parts List

NUR FÜR INTERNEN GEBRAUCH
FOR INTERNAL USE ONLY

TV

4 / 2011

32 VLE 8142 S DL

BESTELL-NR. / ORDER NO.: GBJ8332 (JFT)

POS. NR. POS. NO.	ABB. FIG.	MATERIAL-NR. PART NUMBER	ANZ. QTY.	BEZEICHNUNG (D)	DESCRIPTION (GB)
<p>GBJ8332</p> <p>32 VLE 8142 S DL BLACK PRODUKTCODE JTF KEIN E-TEIL</p> <p>Hinweis: Sollte in dieser Ersatzteilliste Ihr "Product Code" oder Ihre Display-Variante nicht aufgeführt sein, finden Sie eine aktualisierte Version auf dem GRUNDIG Service-Portal "http://service.grundig.de".</p> <p>32 VLE 8142 S DL BLACK PRODUKT CODE JTF NO SPARE PART</p> <p>Note: If your "Product Code" or display variant is not mentioned in the spare parts list, please look for a current version at the GRUNDIG service portal "http://service.grundig.de".</p>					
0001.000		759551559000		GEH.- VORDERTEIL SCHWARZ	FRONT CABINET BLACK
0002.000		759551583000		RUECKWAND SCHWARZ	BACK COVER BLACK
0005.000		759551549700		STANDFUSS SCHWARZ	STAND FOOT BLACK
0006.000		759551574100		STANDFUSS ZWISCHENSTUECK	STAND FOOT MIDDLEPART
0007.000		759551544600		KNOPF PROG./VOL./STD-BY SCHWARZ	KNOB PROG./VOL./STD-BY SCHWARZ
0015.000		759551544700		LAUTSPRECHER KOMPLETT	SPEAKER COMPLETE
0018.000		759551566700		KABEL DISPLAY -LVDS 350 MM*1	CABLE DISPLAY -LVDS 350 MM*1
0018.000		759551491700		KABEL DISPLAY -LVDS 350 MM*2	CABLE DISPLAY -LVDS 350 MM*2
0019.000		759551566800		KABEL DISPLAY -LVDS 350 MM*1	CABLE DISPLAY -LVDS 350 MM*1
0019.000		759551505200		KABEL DISPLAY -LVDS 300 MM*2	CABLE DISPLAY -LVDS 300 MM*2
0020.000	△	759551566900		LCD-DISPLAY LTA320HF05-001*1	LCD-DISPLAY LTA320HF05-001*1
0020.000	△	759551599500		LCD-DISPLAY LC320EUD-SCA2*2	LCD-DISPLAY LC320EUD-SCA2*2
0020.000	△	759551599600		LCD-DISPLAY T315HW07 V300*2	LCD-DISPLAY T315HW07 V300*2
0021.000		759551599700		INVERTERKABEL 400 MM	INVERTERCABLE 400 MM
0022.000	△	759551343100		NETZKABEL 180CM	POWER CABLE 180CM
0023.000	△	275990310700		LP-NETZTEILMODUL 145W 32 SLIM	POWER BOARD 145W 32 SLIM PSU
0025.000	△	275991134300	X	LP-CHASSISMODUL SX (JTF)*1	CHASSISBOARD SX (JTF)*1
0025.000	△	275991139500	X	LP-CHASSISMODUL SX (7U6)*2	CHASSISBOARD SX (7U6)*2
0027.000		720117144800		FERNBEDIENUNG TP3	REMOTE CONTROL TP3
0028.000		720117145300		FERNBEDIENUNG TP EASY SCHWARZ	REMOTE CONTROL TP EASY BLACK
0030.000		759551057800		TASTSCHALTER	KEY SWITCH
0032.000		759551544900		IR-EMPFÄNGER TSOP35436TT	IR-RECEIVER TSOP35436TT
0033.000		759551549100		LED-SMD 1206 BLAU 250MCD 3.3V	LED-SMD 1206 BLUE 250MCD 3.3V
0036.000	△	759551567100		LP-SAT MODUL SH-DVB-S2 (HYZ)	LP-SAT BOARD SH-DVB-S2 (HYZ)
0037.000	△	759551600600		FLACHBANDKABEL 22PIN SAT-MODUL	CABLE FFC 22PIN SAT-MODUL
0090.000		759551545500		KARTON LED 40"	CARTON LED 40"
0091.000		759551545100		POLSTER OBEN LINKS	CUSHION TOP LEFT
0092.000		759551545200		POLSTER OBEN RECHTS	CUSHION TOP RIGHT
0093.000		759551545300		POLSTER UNTEN LINKS	CUSHION BOTTOM LEFT
0094.000		759551545400		POLSTER UNTEN RECHTS	CUSHION BOTTOM RIGHT
0095.000		759551562800		POLSTER MITTELSTUECK	CUSHION MIDDLEPART
0096.000		759551565200		POLSTER MITTELSTUECK	CUSHION MIDDLEPART
				DIE BEDIENUNGSANLEITUNG KOENNEN SIE IM INTERNET UNTER FOLGENDER ADRESSE ABRUFEN: WWW.GRUNDIG.DE MENU: DOWNLOADS	THE INSTRUCTION MANUAL CAN BE DOWNLOADED FROM THE INTERNET UNDER THE FOLLOWING ADDRESS: WWW.GRUNDIG.DE MENU: DOWNLOADS
		720100555000		SERVICE MANUAL D/GB	SERVICE MANUAL D/GB
		720100555100		SERVICE MANUAL D/GB 1. ERGAENZUNG	SERVICE MANUAL D/GB 1ST SUPPLEMENT
		720108000001		SICHERHEITSMANUAL D/GB/E/F/I	SAFETY SERVICE MANUAL D/GB/E/F/I
				X = SIEHE GESONDERTE E-LISTE	X = SEE SEPARATE PARTS LIST

Es gelten die Vorschriften und Sicherheitshinweise gemäß dem Service Manual "Sicherheit", Mat.-Nummer 720108000001, sowie zusätzlich die eventuell abweichenden, landesspezifischen Vorschriften!



The regulations and safety instructions shall be valid as provided by the "Safety" Service Manual, part number 720108000001, as well as the respective national deviations.

ÄNDERUNGEN VORBEHALTEN / SUBJECT TO ALTERATION

Ersatzteilliste
Spare Parts List

NUR FÜR INTERNEN GEBRAUCH
FOR INTERNAL USE ONLY

TV

4 / 2011

32 VLE 8180 S

BESTELL-NR. / ORDER NO.: GBJ8232 (JST)

POS. NR. POS. NO.	ABB. FIG.	MATERIAL-NR. PART NUMBER	ANZ. QTY.	BEZEICHNUNG (D)	DESCRIPTION (GB)
<p>GBJ8232 32 VLE 8180 S PRODUKT CODE JST KEIN E-TEIL</p> <p>Hinweis: Sollte in dieser Ersatzteilliste Ihr "Product Code" oder Ihre Display-Variante nicht aufgeführt sein, finden Sie eine aktualisierte Version auf dem GRUNDIG Service-Portal "http://service.grundig.de".</p>					
<p>0001.000 759551559000 GEH.- VORDERTEIL SCHWARZ FRONT CABINET BLACK 0002.000 759551583000 RUECKWAND SCHWARZ BACK COVER BLACK 0005.000 759551544500 STANDFUSS SCHWARZ STAND FOOT BLACK 0007.000 759551544600 KNOPF PROG./VOL./STD-BY SCHWARZ KNOB PROG./VOL./STD-BY SCHWARZ 0015.000 759551544700 LAUTSPRECHER KOMPLETT SPEAKER COMPLETE 0018.000 759551491700 KABEL DISPLAY-LVDS 350MM*1/2" CABLE DISPLAY-LVDS 350MM*1/2" 0018.000 759551566700 KABEL DISPLAY-LVDS 300MM*3 CABLE DISPLAY-LVDS 300MM*3 0019.000 759551505200 KABEL DISPLAY-LVDS 300MM*1/2" CABLE DISPLAY-LVDS 300MM*1/2" 0019.000 759551566800 KABEL DISPLAY-LVDS 350MM*3 CABLE DISPLAY-LVDS 350MM*3 0020.000 ▲ 759551599500 LCD-DISPLAY T315HW07 V300*1 LCD-DISPLAY T315HW07 V300*1 0020.000 ▲ 759551592400 LCD-DISPLAY LC320EUD-SCA2*2 LCD-DISPLAY LC320EUD-SCA2*2 0020.000 ▲ 759551566900 LCD-DISPLAY LTA320HF05-001*3 LCD-DISPLAY LTA320HF05-001*3 0021.000 759551599600 INVERTERKABEL 400 MM*1 INVERTERCABLE 400 MM*1 0021.000 759551599700 INVERTERKABEL 300 MM*2/3" INVERTERCABLE 300 MM*2/3" 0022.000 ▲ 759551343100 NETZKABEL 180CM POWER CABLE 180CM 0023.000 ▲ 275990310700 LP-NETZTEILMODUL 145W 32 SLIM PSU POWER BOARD 145W 32 SLIM PSU 0025.000 ▲ 275991137300 X LP-CHASSISMODUL SX (JST)*1 CHASSIS BOARD SX (JST)*1 0025.000 ▲ 275991140000 X LP-CHASSISMODUL SX (7U3)*2 CHASSIS BOARD SX (7U3)*2 0025.000 ▲ 275991139900 X LP-CHASSISMODUL SX (7U5)*3 CHASSIS BOARD SX (7U5)*3 0027.000 720117144800 FERNBEDIENUNG TP3 REMOTE CONTROL TP3 0028.000 720117145300 FERNBEDIENUNG TP EASY SCHWARZ REMOTE CONTROL TP EASY BLACK 0030.000 759551057800 TASTSCHALTER KEY SWITCH 0032.000 759551544900 IR-EMPFÄNGER TSOP35436TT IR-RECEIVER TSOP35436TT 0033.000 759551549100 LED-SMD 1206 BLAU 250MCD 3.3V LED-SMD 1206 BLUE 250MCD 3.3V 0036.000 ▲ 759551567100 LP-SAT MODUL SH-DVB-S2 (HYZ) LP-SAT BOARD SH-DVB-S2 (HYZ) 0037.000 759551600600 FLACHBANDKABEL 22PIN SAT-MODUL CABLE FFC 22PIN SAT-MODUL 0090.000 759551573700 KARTON FINE ARTS 32" CARTON FINE ARTS 32" 0091.000 759551545100 POLSTER OBEN LINKS CUSHION TOP LEFT 0092.000 759551545200 POLSTER OBEN RECHTS CUSHION TOP RIGHT 0093.000 759551562800 POLSTER MITTELSTUECK CUSHION MIDDLE 0094.000 759551545300 POLSTER UNTEN LINKS CUSHION BOTTOM LEFT 0095.000 759551545400 POLSTER UNTEN RECHTS CUSHION BOTTOM RIGHT 0096.000 759551565200 POLSTER MITTELSTUECK CUSHION MIDDLEPART</p>					
<p>DIE BEDIENUNGSANLEITUNG KOENNEN SIE IM INTERNET UNTER FOLGENDER ADRESSE ABRUFEN: WWW.GRUNDIG.DE MENU: DOWNLOADS</p> <p>THE INSTRUCTION MANUAL CAN BE DOWNLOADED FROM THE INTERNET UNDER THE FOLLOWING ADDRESS: WWW.GRUNDIG.DE MENU: DOWNLOADS</p>					
<p>720100555000 SERVICE MANUAL D/GB SERVICE MANUAL D/GB 720100555100 SERVICE MANUAL D/GB 1. ERGAENZUNG SAFETY SERVICE MANUAL D/GB/E/F/I 720108000001 X = SIEHE GESONDERTE E-LISTE X = SEE SEPARATE PARTS LIST</p>					

Es gelten die Vorschriften und Sicherheitshinweise gemäß dem Service Manual "Sicherheit", Mat.-Nummer 720108000001, sowie zusätzlich die eventuell abweichenden, landesspezifischen Vorschriften!



The regulations and safety instructions shall be valid as provided by the "Safety" Service Manual, part number 720108000001, as well as the respective national deviations.

ÄNDERUNGEN VORBEHALTEN / SUBJECT TO ALTERATION

Ersatzteilliste
Spare Parts List

NUR FÜR INTERNEN GEBRAUCH
FOR INTERNAL USE ONLY

TV

4 / 2011

37 VLC 9140 S

BESTELL-NR. / ORDER NO.: GBJ6137 (JVT)

POS. NR. POS. NO.	ABB. FIG.	MATERIAL-NR. PART NUMBER	ANZ. QTY.	BEZEICHNUNG (D)	DESCRIPTION (GB)
<p>GBJ6137 37 VLC 9140 S PRODUKT CODE JVT KEIN E-TEIL</p> <p>Hinweis: Sollte in dieser Ersatzteilliste Ihr "Product Code" oder Ihre Display-Variante nicht aufgeführt sein, finden Sie eine aktualisierte Version auf dem GRUNDIG Service-Portal "http://service.grundig.de".</p>					
<p>0001.000 759551566300 GEH.- VORDERTEIL SCHWARZ FRONT CABINET BLACK 0002.000 759551566400 RUECKWAND SCHWARZ BACK COVER BLACK 0005.000 759551539800 STANDFUSS SCHWARZ STAND FOOT BLACK 0006.000 759551572700 STAND FUSS ZWISCHENSTUECK STAND FOOT MIDDLEPART 0007.000 759551496800 KNOPF BEDIENUNG SCHWARZ KNOB CONTROL BLACK 0015.000 759551401200 LAUTSPRECHER 10/15W 8 OHM LOUDSPEAKER 10/15W 8 OHM 0016.000 759550975700 HOCHTONLAUTSPRECHER 10 OHM TWEETER 10 OHM / 10 W 0018.000 759551417200 KABEL LVDS 400MM KABEL LVDS 400MM 0019.000 759551491700 KABEL DISPLAY-LVDS 350MM KABEL DISPLAY-LVDS 350MM 0020.000 ▲ 759551566500 LCD-DISPLAY LC370WUD-SCB1 LCD-DISPLAY LC370WUD-SCB1 0021.000 759551599900 INVERTERKABEL 450 MM INVERTERCABLE 450 MM 0022.000 ▲ 759551350200 NETZKABEL 150 CM POWER CABLE 150 CM 0023.000 ▲ 275990308800 LP-NETZTEILMODUL FSP361-3F01 POWER SUPPLY BOARD FSP361-3F01 0024.000 759550976400 NETZSCHALTER OHNE HALTER POWER SWITCH WITHOUT HOLDER 0025.000 ▲ 275991137200 X LP-CHASSISMODUL SX (JVT) CHASSIS BOARD SX (JVT) 0027.000 720117144800 FERNBEDIENUNG TP3 REMOTE CONTROL TP3 0028.000 720117145300 FERNBEDIENUNG TP EASY SCHWARZ REMOTE CONTROL TP EASY BLACK 0030.000 759551558000 TASTSCHALTER KEY SWITCH 0032.000 759551544900 IR-EMPFÄNGER TSOP35436TT IR-RECEIVER TSOP35436TT 0033.000 759551549100 LED-SMD 1206 BLAU 250MCD 3.3V LED-SMD 1206 BLUE 250MCD 3.3V 0036.000 ▲ 759551567100 LP-SAT MODUL SH-DVB-S2 (HYZ) LP-SAT BOARD SH-DVB-S2 (HYZ) 0090.000 759551563400 KARTON 37" VLC CARTON 37" VLC 0091.000 759551573300 KARTON UNTERTEIL VLC CARTON BOTTOM VLC 0092.000 759551563500 POLSTER OBEN CUSHION TOP 0093.000 759551563600 POLSTER UNTEN LINKS/RECHTS CUSHION BOTTOM LEFT/RIGHT</p>					
<p>DIE BEDIENUNGSANLEITUNG KOENNEN SIE IM INTERNET UNTER FOLGENDER ADRESSE ABRUFEN: WWW.GRUNDIG.DE MENU: DOWNLOADS</p> <p>THE INSTRUCTION MANUAL CAN BE DOWNLOADED FROM THE INTERNET UNDER THE FOLLOWING ADDRESS: WWW.GRUNDIG.DE MENU: DOWNLOADS</p>					
<p>720100555000 SERVICE MANUAL D/GB SERVICE MANUAL D/GB 720100555100 SERVICE MANUAL D/GB 1. ERGAENZUNG SAFETY SERVICE MANUAL D/GB/E/F/I 720108000001 X = SIEHE GESONDERTE E-LISTE X = SEE SEPARATE PARTS LIST</p>					

Es gelten die Vorschriften und Sicherheitshinweise gemäß dem Service Manual "Sicherheit", Mat.-Nummer 720108000001, sowie zusätzlich die eventuell abweichenden, landesspezifischen Vorschriften!



The regulations and safety instructions shall be valid as provided by the "Safety" Service Manual, part number 720108000001, as well as the respective national deviations.

ÄNDERUNGEN VORBEHALTEN / SUBJECT TO ALTERATION

Ersatzteilliste
Spare Parts List

NUR FÜR INTERNEN GEBRAUCH
FOR INTERNAL USE ONLY

TV

7 / 2011

40 VLE 811 S DL

BESTELL-NR. / ORDER NO.: GBJ8640 (KBW)

POS. NR. POS. NO.	ABB. FIG.	MATERIAL-NR. PART NUMBER	ANZ. QTY.	BEZEICHNUNG (D)	DESCRIPTION (GB)
		GBJ8640		40 VLE 811 S DL PRODUKTCODE KBW KEIN E-TEIL	40 VLE 811 S DL PRODUCT CODE KBW NO SPARE PART
				Hinweis: Sollte in dieser Ersatzteilliste Ihr "Product Code" oder Ihre Display-Variante nicht aufgeführt sein, finden Sie eine aktualisierte Version auf dem GRUNDIG Service-Portal "http://service.grundig.de" .	Note: If your "Product Code" or display variant is not mentioned in the spare parts list, please look for a current version at the GRUNDIG service portal "http://service.grundig.de" .
0001.000		759551608500		GEH.- VORDERTEIL SCHWARZ	FRONT CABINET BLACK
0002.000		759551589500		RUECKWAND SCHWARZ	BACK COVER BLACK
0005.000		759551574100		STANDFUSS ZWISCHENSTUECK	STAND FOOT MIDDLEPART
0006.000		759551559300		STANDFUSS SCHWARZ	STAND FOOT BLACK
0007.000		759551544600		KNOPF PROG./VOL./STD-BY SCHWARZ	KNOB PROG./VOL./STD-BY SCHWARZ
0015.000		759551556900		LAUTSPRECHER KOMPLETT	LOUDSPEAKER ASSY
0018.000		759551516900		KABEL DISPLAY-LVDS 500MM	CABLE DISPLAY-LVDS 500MM
0019.000		759551550100		LVDS-KABEL 41 PIN 40 LED PANEL	LVDS-CABLE 41 PIN 40 LED PANEL
0020.000	△	759551587800		LCD-DISPLAY SS LTA400HF16-E01	LCD-DISPLAY SS LTA400HF16-E01
0021.000	△	759551599600		INVERTERKABEL 400 MM	INVERTERCABLE 400 MM
0022.000	△	759551343100		NETZKABEL 180CM	POWER CABLE 180CM
0023.000	△	275990311200		LP-NETZTEILMODUL 175W 40-46 SL	POWER BOARD 175W 40-46 SLIM PS
0025.000	△	275991143400	X	LP-CHASSISMODUL SX (7Z5)	CHASSIS BOARD SX (7Z5)
0027.000		720117144800		FERNBEDIENUNG TP3	REMOTE CONTROL TP3
0028.000		720117145300		FERNBEDIENUNG TP EASY SCHWARZ	REMOTE CONTROL TP EASY BLACK
0030.000		759551057800		TASTSCHALTER	KEY SWITCH
0032.000		759551544900		IR-EMPPFAENGER TSOP35436TT	IR-RECEIVER TSOP35436TT
0033.000		759551549100		LED-SMD 1206 BLAU 250MCD 3.3V	LED-SMD 1206 BLUE 250MCD 3.3V
0036.000	△	759551583800		LP-SAT MODUL SH-DVB-S2 (VKK)	LP-SAT BOARD SH-DVB-S2 (VKK)
0037.000		759551600600		FLACHBANDKABEL 22 PIN SAT-MODU	CABLE FFC 22 PIN SAT-MODUL
0090.000		759551529300		KARTON 40"	CARTON 40"
0091.000		759551551000		KARTON UNTERTEIL	CARTON DOWNPART
0092.000		759551557200		POLSTER OBEN	CUSHION TOP
0093.000		759551557300		POLSTER UNTEN	CUSHION BOTTOM
				DIE BEDIENUNGSANLEITUNG KOENNEN SIE IM INTERNET UNTER FOLGENDER ADRESSE ABRUFEN: WWW.GRUNDIG.DE MENU: DOWNLOADS	THE INSTRUCTION MANUAL CAN BE DOWNLOADED FROM THE INTERNET UNDER THE FOLLOWING ADDRESS: WWW.GRUNDIG.DE MENU: DOWNLOADS
		720100555000		SERVICE MANUAL D/GB	SERVICE MANUAL D/GB
		720100555100		SERVICE MANUAL D/GB 1. ERGAENZUNG	SERVICE MANUAL D/GB 1ST SUPPLEMENT
		720108000001		SICHERHEITSMANUAL D/GB/E/F/I	SAFETY SERVICE MANUAL D/GB/E/F/I
				X = SIEHE GESONDERTE E-LISTE	X = SEE SEPARATE PARTS LIST

64

Es gelten die Vorschriften und Sicherheitshinweise gemäß dem Service Manual "Sicherheit", Mat.-Nummer 720108000001, sowie zusätzlich die eventuell abweichenden, landesspezifischen Vorschriften!



The regulations and safety instructions shall be valid as provided by the "Safety" Service Manual, part number 720108000001, as well as the respective national deviations.

ÄNDERUNGEN VORBEHALTEN / SUBJECT TO ALTERATION

Ersatzteilliste
Spare Parts List

NUR FÜR INTERNEN GEBRAUCH
FOR INTERNAL USE ONLY

TV

4 / 2011

40 VLE 6141 C

BESTELL-NR. / ORDER NO.: GBJ4140 (JRW)

POS. NR. POS. NO.	ABB. FIG.	MATERIAL-NR. PART NUMBER	ANZ. QTY.	BEZEICHNUNG (D)	DESCRIPTION (GB)
		GBJ4140		40 VLE 6141 C BLACK PRODUKTCODE JRW KEIN E-TEIL	40 VLE 6141 C BLACK PRODUCT CODE JRW NO SPARE PART
				Hinweis: Sollte in dieser Ersatzteilliste Ihr "Product Code" oder Ihre Display-Variante nicht aufgeführt sein, finden Sie eine aktualisierte Version auf dem GRUNDIG Service-Portal "http://service.grundig.de" .	Note: If your "Product Code" or display variant is not mentioned in the spare parts list, please look for a current version at the GRUNDIG service portal "http://service.grundig.de" .
0001.000		759551559200		GEH.- VORDERTEIL SCHWARZ	FRONT CABINET BLACK
0002.000		759551589200		RUECKWAND SCHWARZ	BACK COVER BLACK
0005.000		759551559300		STANDFUSS SCHWARZ	STAND FOOT BLACK
0006.000		759551574100		STANDFUSS ZWISCHENSTUECK	STAND FOOT MIDDLEPART
0007.000		759551544600		KNOPF PROG./VOL./STD-BY SCHWARZ	KNOB PROG./VOL./STD-BY SCHWARZ
0015.000		759551556900		LAUTSPRECHER ASSY	LOUDSPEAKER ASSY
0019.000		759551589300		KABEL DISPLAY-LVDS 450MM	CABLE DISPLAY-LVDS 450 MM
0020.000	△	759551589400		LCD-DISPLAY LTA400HM08-C01*1	LCD-DISPLAY LTA400HM08-C01*1
0020.000	△	759551605300		LCD-DISPLAY LTA400HM08-C01*2	LCD-DISPLAY LTA400HM08-C01*2
0021.000	△	759551600300		INVERTERKABEL 400MM*2	INVERTER CABLE 400MM*2
0022.000	△	759551343100		NETZKABEL 180CM	POWER CABLE 180CM
0023.000	△	275990311200		LP-NETZTEILMODUL 175W 40-46 SL	POWER BOARD 175W 40-46 SLIM PS
0025.000	△	275991134600	X	LP-CHASSISMODUL SX (JRW)*1	CHASSISBOARD SX (JRW)*1
0025.000	△	275991141400	X	LP-CHASSISMODUL SX (BKA)*2	CHASSISBOARD SX (BKA)*2
0027.000		720117144800		FERNBEDIENUNG TP3	REMOTE CONTROL TP3
0028.000		720117145400		FERNBEDIENUNG TP EASY WEISS*2	REMOTE CONTROL TP EASY WHITE*2
0030.000		759551057800		TASTSCHALTER	KEY SWITCH
0032.000		759551544900		IR-EMPPFAENGER TSOP35436TT	IR-RECEIVER TSOP35436TT
0033.000		759551549100		LED-SMD 1206 BLAU 250MCD 3.3V	LED-SMD 1206 BLUE 250MCD 3.3V
0090.000		759551529300		KARTON 40"	CARTON 40"
0091.000		759551551000		KARTON UNTERTEIL	CARTON DOWNPART
0092.000		759551557200		POLSTER OBEN	CUSHION TOP
0093.000		759551557300		POLSTER UNTEN	CUSHION BOTTOM
				DIE BEDIENUNGSANLEITUNG KOENNEN SIE IM INTERNET UNTER FOLGENDER ADRESSE ABRUFEN: WWW.GRUNDIG.DE MENU: DOWNLOADS	THE INSTRUCTION MANUAL CAN BE DOWNLOADED FROM THE INTERNET UNDER THE FOLLOWING ADDRESS: WWW.GRUNDIG.DE MENU: DOWNLOADS
		720100555000		SERVICE MANUAL D/GB	SERVICE MANUAL D/GB
		720100555100		SERVICE MANUAL D/GB 1. ERGAENZUNG	SERVICE MANUAL D/GB 1ST SUPPLEMENT
		720108000001		SICHERHEITSMANUAL D/GB/E/F/I	SAFETY SERVICE MANUAL D/GB/E/F/I
				X = SIEHE GESONDERTE E-LISTE	X = SEE SEPARATE PARTS LIST

Es gelten die Vorschriften und Sicherheitshinweise gemäß dem Service Manual "Sicherheit", Mat.-Nummer 720108000001, sowie zusätzlich die eventuell abweichenden, landesspezifischen Vorschriften!



The regulations and safety instructions shall be valid as provided by the "Safety" Service Manual, part number 720108000001, as well as the respective national deviations.

ÄNDERUNGEN VORBEHALTEN / SUBJECT TO ALTERATION

Ersatzteilliste
Spare Parts List

NUR FÜR INTERNEN GEBRAUCH
FOR INTERNAL USE ONLY

TV

2 / 2011

40 VLE 7140 C

BESTELL-NR. / ORDER NO.: GBJ5140 (JPV, JNK)

POS. NR. POS. NO.	ABB. FIG.	MATERIAL-NR. PART NUMBER	ANZ. QTY.	BEZEICHNUNG (D)	DESCRIPTION (GB)
----------------------	--------------	-----------------------------	--------------	--------------------	---------------------

GBJ5140

40 VLE 7140 C BLACK
PRODUKTCODE JPV
KEIN E-TEIL

40 VLE 7140 C BLACK
PRODUCT CODE JPV
NO SPARE PART

Hinweis:

Sollte in dieser Ersatzteilliste Ihr "Product Code" oder Ihre Display-Variante nicht aufgeführt sein, finden Sie eine aktualisierte Version auf dem GRUNDIG Service-Portal ["http://service.grundig.de"](http://service.grundig.de).

Note:

If your "Product Code" or display variant is not mentioned in the spare parts list, please look for a current version at the GRUNDIG service portal ["http://service.grundig.de"](http://service.grundig.de).

0001.000		759551559200		GEH.- VORDERTEIL SCHWARZ	FRONT CABINET BLACK
0002.000		759551583100		RUECKWAND SCHWARZ	BACK COVER BLACK
0005.000		759551559300		STANDFUSS SCHWARZ	STAND FOOT BLACK
0006.000		759551574100		STANDFUSS ZWISCHENSTUECK	STAND FOOT MIDDLEPART
0007.000		759551544600		KNOPF PROG./VOL./STD-BY SCHWARZ	KNOB PROG./VOL./STD-BY SCHWARZ
0015.000		759551556900		LAUTSPRECHER KOMPLETT	LOUDSPEAKER ASSY
0018.000		759551516900		KABEL DISPLAY-LVDS 500MM	CABLE DISPLAY-LVDS 500MM
0019.000		759551550100		LVDS-KABEL 41 PIN 40 LED PANEL	LVDS-CABLE 41 PIN 40 LED PANEL
0020.000	△	759551558700		LCD-DISPLAY LTA400HF16-C03*1	LCD-DISPLAY LTA400HF16-C03*1
0020.000	△	759551557000		LCD-DISPLAY LTA400HF16-C01*2	LCD-DISPLAY LTA400HF16-C01*2
0020.000	△	759551587800		LCD-DISPLAY LTA400HF16-E01*3	LCD-DISPLAY LTA400HF16-E01*3
0021.000		759551599600		INVERTERKABEL 400 MM*3	INVERTERCABLE 400 MM*3
0022.000	△	759551343100		NETZKABEL 180CM	POWER* CABLE 180CM
0023.000	△	275990311200		LP-NETZTEILMODUL 175W 40-46 SL	POWER BOARD 175W 40-46 SLIM PS
0025.000	△	275991132400	X	LP-CHASSISMODUL SX (JPV)*1	CHASSIS BOARD SX (JPV)*1
0025.000	△	275991136300	X	LP-CHASSISMODUL SX (C7H)*2	CHASSIS BOARD SX (C7H)*2
0025.000	△	275991133800	X	LP-CHASSISMODUL SX (6Z9)*3	CHASSIS BOARD SX (6Z9)*3
0027.000		720117144800		FERNBEDIENUNG TP3	REMOTE CONTROL TP3
0027.000		720117145300		FERNBEDIENUNG TP EASY*2/*3	REMOTE CONTROL TPEASY*2/*3
0030.000		759551057800		TASTSCHALTER	KEY SWITCH
0032.000		759551544900		IR-EMPPFAENGER TSOP35436TT	IR-RECEIVER TSOP35436TT
0033.000		759551549100		LED-SMD 1206 BLAU 250MCD 3.3V	LED-SMD 1206 BLUE 250MCD 3.3V
0090.000		759551551100		KARTON 40"	CARTON 40"
0091.000		759551551000		KARTON UNTERTEIL	CARTON DOWNPART
0092.000		759551557200		POLSTER OBEN	CUSHION TOP
0093.000		759551557300		POLSTER UNTEN	CUSHION BOTTOM

GBJ5140

40 VLE 7140 C BLACK
PRODUKTCODE JNK
KEIN E-TEIL

40 VLE 7140 C BLACK
PRODUCT CODE JNK
NO SPARE PART

0001.000		759551559200		GEH.- VORDERTEIL SCHWARZ	FRONT CABINET BLACK
0002.000		759551583100		RUECKWAND SCHWARZ	BACK COVER BLACK
0005.000		759551559300		STANDFUSS SCHWARZ	STAND FOOT BLACK
0006.000		759551574100		STANDFUSS ZWISCHENSTUECK	STAND FOOT MIDDLEPART
0007.000		759551544600		KNOPF PROG./VOL./STD-BY SCHWARZ	KNOB PROG./VOL./STD-BY SCHWARZ
0015.000		759551556900		LAUTSPRECHER KOMPLETT	LOUDSPEAKER ASSY
0018.000		759551516900		KABEL DISPLAY-LVDS 500MM	CABLE DISPLAY-LVDS 500MM
0019.000		759551550100		LVDS-KABEL 41 PIN 40 LED PANEL	LVDS-CABLE 41 PIN 40 LED PANEL
0020.000	△	759551558700		LCD-DISPLAY LTA400HF16-C03*1	LCD-DISPLAY LTA400HF16-C03*1
0020.000	△	759551587800		LCD-DISPLAY LTA400HF16-E01*2	LCD-DISPLAY LTA400HF16-E01*2
0022.000	△	759551343100		NETZKABEL 180CM	POWER CABLE 180CM
0023.000	△	275990311200		LP-NETZTEILMODUL 175W 40-46 SL	POWER BOARD 175W 40-46 SLIM PS
0025.000	△	275991134000	X	LP-CHASSISMODUL SX (JNK)*1	CHASSIS BOARD SX (JNK)*1
0025.000	△	275991133800	X	LP-CHASSISMODUL SX (6Z9)*2	CHASSIS BOARD SX (6Z9)*2

ÄNDERUNGEN VORBEHALTEN / SUBJECT TO ALTERATION

POS. NR. POS. NO.	ABB. FIG.	MATERIAL-NR. PART NUMBER	ANZ. QTY.	BEZEICHNUNG (D)	DESCRIPTION (GB)
0027.000		720117144800		FERNBEDIENUNG TP3	REMOTE CONTROL TP3
0028.000		720117145300		FERNBEDIENUNG TP EASY SCHWARZ	REMOTE CONTROL TP EASY BLACK
0030.000		759551057800		TASTSCHALTER	KEY SWITCH
0032.000		759551544900		IR-EMPPFAENGER TSOP35436TT	IR-RECEIVER TSOP35436TT
0033.000		759551549100		LED-SMD 1206 BLAU 250MCD 3.3V	LED-SMD 1206 BLUE 250MCD 3.3V
0090.000		759551551100		KARTON 40"	CARTON 40"
0091.000		759551551000		KARTON UNTERTEIL	CARTON DOWNPART
0092.000		759551557200		POLSTER OBEN	CUSHION TOP
0093.000		759551557300		POLSTER UNTEN	CUSHION BOTTOM
				DIE BEDIENUNGSANLEITUNG KOENNEN SIE IM INTERNET UNTER FOLGENDER ADRESSE ABRUFEN: WWW.GRUNDIG.DE MENU: DOWNLOADS	THE INSTRUCTION MANUAL CAN BE DOWNLOADED FROM THE INTERNET UNDER THE FOLLOWING ADDRESS: WWW.GRUNDIG.DE MENU: DOWNLOADS
		720100555000		SERVICE MANUAL D/GB	SERVICE MANUAL D/GB
		720100555100		SERVICE MANUAL D/GB 1. ERGAENZUNG	SERVICE MANUAL D/GB 1ST SUPPLEMENT
		720108000001		SICHERHEITSMANUAL D/GB/E/F/I	SAFETY SERVICE MANUAL D/GB/E/F/I
				X = SIEHE GESONDERTE E-LISTE	X = SEE SEPARATE PARTS LIST

Es gelten die Vorschriften und Sicherheitshinweise gemäß dem Service Manual "Sicherheit", Mat.-Nummer 720108000001, sowie zusätzlich die eventuell abweichenden, landesspezifischen Vorschriften!



The regulations and safety instructions shall be valid as provided by the "Safety" Service Manual, part number 720108000001, as well as the respective national deviations.

ÄNDERUNGEN VORBEHALTEN / SUBJECT TO ALTERATION

Ersatzteilliste
Spare Parts List

NUR FÜR INTERNEN GEBRAUCH
FOR INTERNAL USE ONLY

TV

4 / 2011

40 VLE 7150 C

POS. NR. POS. NO.	ABB. FIG.	MATERIAL-NR. PART NUMBER	ANZ. QTY.	BEZEICHNUNG (D)	BESTELL-NR. / ORDER NO.: GBJ5440 (JTM)	DESCRIPTION (GB)
		GBJ5440		40 VLE 7150 C PRODUKTCODE JTM KEIN E-TEIL		40 VLE 7150 C PRODUCT CODE JTM NO SPARE PART
				Hinweis: Sollte in dieser Ersatzteilliste Ihr "Product Code" oder Ihre Display-Variante nicht aufgeführt sein, finden Sie eine aktualisierte Version auf dem GRUNDIG Service-Portal "http://service.grundig.de" .		Note: If your "Product Code" or display variant is not mentioned in the spare parts list, please look for a current version at the GRUNDIG service portal "http://service.grundig.de" .
0001.000		759551588900		GEH.- VORDERTEIL WEISS		FRONT CABINET WHITE
0002.000		759551589000		RUECKWAND WEISS		BACK COVER WHITE
0005.000		759551589100		STANDFUSS WEISS		STAND FOOT WHITE
0006.000		759551574100		STANDFUSS ZWISCHENSTUECK		STAND FOOT MIDDLEPART
0007.000		759551583600		KNOPF PROG./VOL./STD-BY WEISS		KNOB PROG./VOL./STD-BY WHITE
0015.000		759551556900		LAUTSPRECHER KOMPLETT		LOUDSPEAKER ASSY
0018.000		759551516900		KABEL DISPLAY-LVDS 500MM		CABLE DISPLAY-LVDS 500MM
0019.000		759551550100		LVDS-KABEL 41 PIN 40 LED PANEL		LVDS-CABLE 41 PIN 40 LED PANEL
0020.000	△	759551558700		LCD-DISPLAY LTA400HF16-C03*1		LCD-DISPLAY LTA400HF16-C03*1
0020.000	△	759551557000		LCD-DISPLAY LTA400HF16-C01*2		LCD-DISPLAY LTA400HF16-C01*2
0020.000	△	759551587800		LCD-DISPLAY LTA400HF16-E01*3		LCD-DISPLAY LTA400HF16-E01*3
0021.000		759551599600		INVERTERKABEL 400 MM*3		INVERTERCABLE 400 MM*3
0022.000	△	759551343100		NETZKABEL 180CM		POWER CABLE 180CM
0023.000	△	275990311200		LP-NETZTEILMODUL 175W 40-46 SL		POWER BOARD 175W 40-46 SLIM PS
0025.000	△	275991132400	X	LP-CHASSISMODUL SX (JPV)*1		CHASSIS BOARD SX (JPV)*1
0025.000	△	275991136300	X	LP-CHASSISMODUL SX (C7H)*2		CHASSIS BOARD SX (C7H)*2
0025.000	△	275991133800	X	LP-CHASSISMODUL SX (6Z9)*3		CHASSIS BOARD SX (6Z9)*3
0027.000		720117144800		FERNBEDIENUNG TP3		REMOTE CONTROL TP3
0028.000		720117144540		FERNBEDIENUNG TP EASY WEISS*2*/3		REMOTE CONTROL TP EASY WHITE*2*/3
0030.000		759551057800		TASTSCHALTER		KEY SWITCH
0032.000		759551544900		IR-EMPFANER TSOP35436TT		IR-RECEIVER TSOP35436TT
0033.000		759551549100		LED-SMD 1206 BLAU 250MCD 3.3V		LED-SMD 1206 BLUE 250MCD 3.3V
0090.000		759551551100		KARTON 40"		CARTON 40"
0091.000		759551551000		KARTON UNTERTEIL		CARTON DOWNPART
0092.000		759551557200		POLSTER OBEN		CUSHION TOP
0093.000		759551557300		POLSTER UNTEN		CUSHION BOTTOM
				DIE BEDIENUNGSANLEITUNG KOENNEN SIE IM INTERNET UNTER FOLGENDER ADRESSE ABRUFEN: WWW.GRUNDIG.DE MENU: DOWNLOADS		THE INSTRUCTION MANUAL CAN BE DOWNLOADED FROM THE INTERNET UNDER THE FOLLOWING ADDRESS: WWW.GRUNDIG.DE MENU: DOWNLOADS
		720100555000		SERVICE MANUAL D/GB		SERVICE MANUAL D/GB
		720100555100		SERVICE MANUAL D/GB 1. ERGAENZUNG		SERVICE MANUAL D/GB 1ST SUPPLEMENT
		720108000001		SICHERHEITSMANUAL D/GB/E/F/I		SAFETY SERVICE MANUAL D/GB/E/F/I
				X = SIEHE GESONDERTE E-LISTE		X = SEE SEPARATE PARTS LIST

99

Es gelten die Vorschriften und Sicherheitshinweise gemäß dem Service Manual "Sicherheit", Mat.-Nummer 720108000001, sowie zusätzlich die eventuell abweichenden, landesspezifischen Vorschriften!



The regulations and safety instructions shall be valid as provided by the "Safety" Service Manual, part number 720108000001, as well as the respective national deviations.

ÄNDERUNGEN VORBEHALTEN / SUBJECT TO ALTERATION

Ersatzteilliste
Spare Parts List

NUR FÜR INTERNEN GEBRAUCH
FOR INTERNAL USE ONLY

TV

2 / 2011

40 VLE 7160 C

POS. NR. POS. NO.	ABB. FIG.	MATERIAL-NR. PART NUMBER	ANZ. QTY.	BEZEICHNUNG (D)	BESTELL-NR. / ORDER NO.: GBJ5340 (JSW)	DESCRIPTION (GB)
		GBJ5340		40 VLE 7160 C PRODUKTCODE JSW KEIN E-TEIL		40 VLE 7160 C PRODUCT CODE JSW NO SPARE PART
				Hinweis: Sollte in dieser Ersatzteilliste Ihr "Product Code" oder Ihre Display-Variante nicht aufgeführt sein, finden Sie eine aktualisierte Version auf dem GRUNDIG Service-Portal "http://service.grundig.de" .		Note: If your "Product Code" or display variant is not mentioned in the spare parts list, please look for a current version at the GRUNDIG service portal "http://service.grundig.de" .
0001.000		759551559200		GEH.- VORDERTEIL SCHWARZ		FRONT CABINET BLACK
0002.000		759551583100		RUECKWAND SCHWARZ		BACK COVER BLACK
0005.000		759551559300		STANDFUSS SCHWARZ		STAND FOOT BLACK
0006.000		759551574100		STANDFUSS ZWISCHENSTUECK		STAND FOOT MIDDLEPART
0007.000		759551544600		KNOPF PROG./VOL./STD-BY SCHWARZ		KNOB PROG./VOL./STD-BY SCHWARZ
0015.000		759551556900		LAUTSPRECHER KOMPLETT		LOUDSPEAKER ASSY
0018.000		759551516900		KABEL DISPLAY-LVDS 500MM		CABLE DISPLAY-LVDS 500MM
0019.000		759551550100		LVDS-KABEL 41 PIN 40 LED PANEL		LVDS-CABLE 41 PIN 40 LED PANEL
0020.000	△	759551558700		LCD-DISPLAY LTA400HF16-C03*1		LCD-DISPLAY LTA400HF16-C03*1
0020.000	△	759551587800		LCD-DISPLAY LTA400HF16-E01*2		LCD-DISPLAY LTA400HF16-E01*2
0022.000	△	759551343100		NETZKABEL 180CM		POWER CABLE 180CM
0023.000	△	275990311200		LP-NETZTEILMODUL 175W 40-46 SL		POWER BOARD 175W 40-46 SLIM PS
0025.000	△	275991132400	X	LP-CHASSISMODUL SX (JPV)*1		CHASSIS BOARD SX (JPV)*1
0025.000	△	275991133800	X	LP-CHASSISMODUL SX (6Z9)*2		CHASSIS BOARD SX (6Z9)*2
0027.000		720117144800		FERNBEDIENUNG TP3		REMOTE CONTROL TP3
0030.000		759551057800		TASTSCHALTER		KEY SWITCH
0032.000		759551544900		IR-EMPFANER TSOP35436TT		IR-RECEIVER TSOP35436TT
0033.000		759551549100		LED-SMD 1206 BLAU 250MCD 3.3V		LED-SMD 1206 BLUE 250MCD 3.3V
0090.000		759551551100		KARTON 40"		CARTON 40"
0091.000		759551551000		KARTON UNTERTEIL		CARTON DOWNPART
0092.000		759551557200		POLSTER OBEN		CUSHION TOP
0093.000		759551557300		POLSTER UNTEN		CUSHION BOTTOM
				DIE BEDIENUNGSANLEITUNG KOENNEN SIE IM INTERNET UNTER FOLGENDER ADRESSE ABRUFEN: WWW.GRUNDIG.DE MENU: DOWNLOADS		THE INSTRUCTION MANUAL CAN BE DOWNLOADED FROM THE INTERNET UNDER THE FOLLOWING ADDRESS: WWW.GRUNDIG.DE MENU: DOWNLOADS
		720100555000		SERVICE MANUAL D/GB		SERVICE MANUAL D/GB
		720100555100		SERVICE MANUAL D/GB 1. ERGAENZUNG		SERVICE MANUAL D/GB 1ST SUPPLEMENT
		720108000001		SICHERHEITSMANUAL D/GB/E/F/I		SAFETY SERVICE MANUAL D/GB/E/F/I
				X = SIEHE GESONDERTE E-LISTE		X = SEE SEPARATE PARTS LIST

Es gelten die Vorschriften und Sicherheitshinweise gemäß dem Service Manual "Sicherheit", Mat.-Nummer 720108000001, sowie zusätzlich die eventuell abweichenden, landesspezifischen Vorschriften!



The regulations and safety instructions shall be valid as provided by the "Safety" Service Manual, part number 720108000001, as well as the respective national deviations.

ÄNDERUNGEN VORBEHALTEN / SUBJECT TO ALTERATION

Ersatzteilliste
Spare Parts List

NUR FÜR INTERNEN GEBRAUCH
FOR INTERNAL USE ONLY

TV

4 / 2011

40 VLE 8140 S DL

BESTELL-NR. / ORDER NO.: GBJ8040 (JHM)

POS. NR. POS. NO.	ABB. FIG.	MATERIAL-NR. PART NUMBER	ANZ. QTY.	BEZEICHNUNG (D)	DESCRIPTION (GB)
		GBJ8040		40 VLE 8140 S DL SILBER PRODUKTCODE JHM KEIN E-TEIL	40 VLE 8140 S DL SILBER PRODUCT CODE JHM NO SPARE PART
				Hinweis: Sollte in dieser Ersatzteilliste Ihr "Product Code" oder Ihre Display-Variante nicht aufgeführt sein, finden Sie eine aktualisierte Version auf dem GRUNDIG Service-Portal " http://service.grundig.de ".	Note: If your "Product Code" or display variant is not mentioned in the spare parts list, please look for a current version at the GRUNDIG service portal " http://service.grundig.de ".
0001.000		759551556600		GEH.- VORDERTEIL SILBER	FRONT CABINET SILVER
0002.000		759551588200		RUECKWAND SILBER	BACK COVER SILVER
0005.000		759551556800		STANDFUSS SILBER	STANDFOOT SILVER
0006.000		759551574100		STANDFUSS ZWISCHENSTUECK	STAND FOOT MIDDLEPART
0007.000		759551550800		KNOPF PRG./ON-OFF SILBER	KNOB PRG./ON-OFF SILVER
0015.000		759551556900		LAUTSPRECHER KOMPLETT	LOUDSPEAKER ASSY
0018.000		759551516900		KABEL DISPLAY-LVDS 500MM	CABLE DISPLAY-LVDS 500MM
0019.000		759551550100		LVDS-KABEL 41 PIN 40 LED PANEL	LVDS-CABLE 41 PIN 40 LED PANEL
0020.000	△	759551587800		LCD-DISPLAY SS LTA400HF16-E01	LCD-DISPLAY SS LTA400HF16-E01
0021.000	△	759551599600		INVERTERKABEL 400 MM	INVERTERCABLE 400 MM
0022.000	△	759551343100		NETZKABEL 180CM	POWER CABLE 180CM
0023.000	△	275990311200		LP-NETZTEILMODUL 175W 40-46 SL	POWER BOARD 175W 40-46 SLIM PS
0025.000	△	275991137000	X	LP-CHASSISMODUL SX (7R4)	CHASSIS BOARD SX (7R4)
0027.000		720117144800		FERNBEDIENUNG TP3	REMOTE CONTROL TP3
0028.000		720117145400		FERNBEDIENUNG TP EASY WEISS	REMOTE CONTROL TP EASY WHITE
0030.000		759551057800		TASTSCHALTER	KEY SWITCH
0032.000		759551544900		IR-EMPFÄNGER TSOP35436TT	IR-RECEIVER TSOP35436TT
0033.000		759551549100		LED-SMD 1206 BLAU 250MCD 3.3V	LED-SMD 1206 BLUE 250MCD 3.3V
0036.000	△	759551583800		LP-SAT MODUL SH-DVB-S2 (VKK)	LP-SAT BOARD SH-DVB-S2 (VKK)
0090.000		759551529300		KARTON 40"	CARTON 40"
0091.000		759551551000		KARTON UNTERTEIL	CARTON DOWNPART
0092.000		759551557200		POLSTER OBEN	CUSHION TOP
0093.000		759551557300		POLSTER UNTEN	CUSHION BOTTOM
				DIE BEDIENUNGSANLEITUNG KOENNEN SIE IM INTERNET UNTER FOLGENDER ADRESSE ABRUFEN: WWW.GRUNDIG.DE MENU: DOWNLOADS	THE INSTRUCTION MANUAL CAN BE DOWNLOADED FROM THE INTERNET UNDER THE FOLLOWING ADDRESS: WWW.GRUNDIG.DE MENU: DOWNLOADS
		720100555000		SERVICE MANUAL D/GB	SERVICE MANUAL D/GB
		720100555100		SERVICE MANUAL D/GB 1. ERGAENZUNG	SERVICE MANUAL D/GB 1ST SUPPLEMENT
		720108000001		SICHERHEITSMANUAL D/GB/E/F/I	SAFETY SERVICE MANUAL D/GB/E/F/I
				X = SIEHE GESONDERTE E-LISTE	X = SEE SEPARATE PARTS LIST

67

Es gelten die Vorschriften und Sicherheitshinweise gemäß dem Service Manual "Sicherheit", Mat.-Nummer 720108000001, sowie zusätzlich die eventuell abweichenden, landesspezifischen Vorschriften!



The regulations and safety instructions shall be valid as provided by the "Safety" Service Manual, part number 720108000001, as well as the respective national deviations.

ÄNDERUNGEN VORBEHALTEN / SUBJECT TO ALTERATION

Ersatzteilliste
Spare Parts List

NUR FÜR INTERNEN GEBRAUCH
FOR INTERNAL USE ONLY

TV

4 / 2011

40 VLE 8141 S DL

BESTELL-NR. / ORDER NO.: GBJ8140 (JSK)

POS. NR. POS. NO.	ABB. FIG.	MATERIAL-NR. PART NUMBER	ANZ. QTY.	BEZEICHNUNG (D)	DESCRIPTION (GB)
		GBJ8140		40 VLE 8141 S DL CHROME/ANTRACITE PRODUKTCODE JSK KEIN E-TEIL	40 VLE 8141 S DL CHROME/ANTRACITE PRODUCT CODE JSK NO SPARE PART
				Hinweis: Sollte in dieser Ersatzteilliste Ihr "Product Code" oder Ihre Display-Variante nicht aufgeführt sein, finden Sie eine aktualisierte Version auf dem GRUNDIG Service-Portal " http://service.grundig.de ".	Note: If your "Product Code" or display variant is not mentioned in the spare parts list, please look for a current version at the GRUNDIG service portal " http://service.grundig.de ".
0001.000		759551588100		GEH.- VORDERTEIL SILBER	FRONT CABINET SILVER
0002.000		759551588200		RUECKWAND SILBER	BACK COVER SILVER
0005.000		759551556800		STANDFUSS SILBER	STANDFOOT SILVER
0006.000		759551574100		STANDFUSS ZWISCHENSTUECK	STAND FOOT MIDDLEPART
0007.000		759551550800		KNOPF PRG./ON-OFF SILBER	KNOB PRG./ON-OFF SILVER
0015.000		759551556900		LAUTSPRECHER KOMPLETT	LOUDSPEAKER ASSY
0018.000		759551516900		KABEL DISPLAY-LVDS 500MM	CABLE DISPLAY-LVDS 500MM
0019.000		759551550100		LVDS-KABEL 41 PIN 40 LED PANEL	LVDS-CABLE 41 PIN 40 LED PANEL
0020.000	△	759551587800		LCD-DISPLAY SS LTA400HF16-E01	LCD-DISPLAY SS LTA400HF16-E01
0021.000	△	759551343100		NETZKABEL 180CM	POWER CABLE 180CM
0022.000	△	275990311200		LP-NETZTEILMODUL 175W 40-46 SL	POWER BOARD 175W 40-46 SLIM PS
0023.000	△	275991133700	X	LP-CHASSISMODUL SX (JSK)	CHASSIS BOARD SX (JSK)
0027.000		720117144800		FERNBEDIENUNG TP3	REMOTE CONTROL TP3
0028.000		720117145400		FERNBEDIENUNG TP EASY WEISS	REMOTE CONTROL TP EASY WHITE
0030.000		759551057800		TASTSCHALTER	KEY SWITCH
0032.000		759551544900		IR-EMPFÄNGER TSOP35436TT	IR-RECEIVER TSOP35436TT
0033.000		759551549100		LED-SMD 1206 BLAU 250MCD 3.3V	LED-SMD 1206 BLUE 250MCD 3.3V
0036.000	△	759551583800		LP-SAT MODUL SH-DVB-S2 (VKK)	LP-SAT BOARD SH-DVB-S2 (VKK)
0090.000		759551529300		KARTON 40"	CARTON 40"
0091.000		759551551000		KARTON UNTERTEIL	CARTON DOWNPART
0092.000		759551557200		POLSTER OBEN	CUSHION TOP
0093.000		759551557300		POLSTER UNTEN	CUSHION BOTTOM
				DIE BEDIENUNGSANLEITUNG KOENNEN SIE IM INTERNET UNTER FOLGENDER ADRESSE ABRUFEN: WWW.GRUNDIG.DE MENU: DOWNLOADS	THE INSTRUCTION MANUAL CAN BE DOWNLOADED FROM THE INTERNET UNDER THE FOLLOWING ADDRESS: WWW.GRUNDIG.DE MENU: DOWNLOADS
		720100555000		SERVICE MANUAL D/GB	SERVICE MANUAL D/GB
		720100555100		SERVICE MANUAL D/GB 1. ERGAENZUNG	SERVICE MANUAL D/GB 1ST SUPPLEMENT
		720108000001		SICHERHEITSMANUAL D/GB/E/F/I	SAFETY SERVICE MANUAL D/GB/E/F/I
				X = SIEHE GESONDERTE E-LISTE	X = SEE SEPARATE PARTS LIST

Es gelten die Vorschriften und Sicherheitshinweise gemäß dem Service Manual "Sicherheit", Mat.-Nummer 720108000001, sowie zusätzlich die eventuell abweichenden, landesspezifischen Vorschriften!



The regulations and safety instructions shall be valid as provided by the "Safety" Service Manual, part number 720108000001, as well as the respective national deviations.

ÄNDERUNGEN VORBEHALTEN / SUBJECT TO ALTERATION

Ersatzteilliste
Spare Parts List

NUR FÜR INTERNEN GEBRAUCH
FOR INTERNAL USE ONLY

TV

4 / 2011

40 VLE 8142 S DL

BESTELL-NR. / ORDER NO.: GBJ8340 (JJV)

POS. NR. POS. NO.	ABB. FIG.	MATERIAL-NR. PART NUMBER	ANZ. QTY.	BEZEICHNUNG (D)	DESCRIPTION (GB)
		GBJ8340		40 VLE 8142 S DL BLACK PRODUKTCODE JJV KEIN E-TEIL	40 VLE 8142 S DL BLACK PRODUCT CODE JJV NO SPARE PART
				Hinweis: Sollte in dieser Ersatzteilliste Ihr "Product Code" oder Ihre Display-Variante nicht aufgeführt sein, finden Sie eine aktualisierte Version auf dem GRUNDIG Service-Portal " http://service.grundig.de ".	Note: If your "Product Code" or display variant is not mentioned in the spare parts list, please look for a current version at the GRUNDIG service portal " http://service.grundig.de ".
0001.000		759551558300		GEH.- VORDERTEIL SCHWARZ	FRONT CABINET BLACK
0002.000		759551589500		RUECKWAND SCHWARZ	BACK COVER BLACK
0005.000		759551558500		STANDFUSS SCHWARZ	STANDFOOT BLACK
0006.000		759551574100		STANDFUSS ZWISCHENSTUECK	STAND FOOT MIDDLEPART
0007.000		759551544600		KNOPF PROG./VOL./STD-BY SCHWARZ	KNOB PROG./VOL./STD-BY SCHWARZ
0015.000		759551556900		LAUTSPRECHER KOMPLETT	LOUDSPEAKER ASSY
0018.000		759551516900		KABEL DISPLAY-LVDS 500MM	CABLE DISPLAY-LVDS 500MM
0019.000		759551550100		LVDS-KABEL 41 PIN 40 LED PANEL	LVDS-CABLE 41 PIN 40 LED PANEL
0020.000	△	759551587800		LCD-DISPLAY LTA400HF16-E01*1	LCD-DISPLAY LTA400HF16-E01*1
0020.000	△	759551558700		LCD-DISPLAY LTA400HF16-C03*2	LCD-DISPLAY LTA400HF16-C03*2
0022.000	△	759551343100		NETZKABEL 180CM	POWER CABLE 180CM
0023.000	△	275990311200		LP-NETZTEILMODUL 175W 40-46 SL	POWER BOARD 175W 40-46 SLIM PS
0025.000	△	275991133700	X	LP-CHASSISMODUL SX (JSK)*1	CHASSIS BOARD SX (JSK)*1
0025.000	△	275991136400	X	LP-CHASSISMODUL SX (JJV)*2	CHASSIS BOARD SX (JJV)*2
0027.000		720117144800		FERNBEDIENUNG TP3	REMOTE CONTROL TP3
0028.000		720117145300		FERNBEDIENUNG TP EASY SCHWARZ	REMOTE CONTROL TP EASY BLACK
0030.000		759551057800		TASTSCHALTER	KEY SWITCH
0032.000		759551544900		IR-EMPPFAENGER TSOP35436TT	IR-RECEIVER TSOP35436TT
0033.000		759551549100		LED-SMD 1206 BLAU 250MCD 3.3V	LED-SMD 1206 BLUE 250MCD 3.3V
0036.000	△	759551583800		LP-SAT MODUL SH-DVB-S2 (VKK)	LP-SAT BOARD SH-DVB-S2 (VKK)
0090.000		759551529300		KARTON 40"	CARTON 40"
0091.000		759551551000		KARTON UNTERTEIL	CARTON DOWNPART
0092.000		759551557200		POLSTER OBEN	CUSHION TOP
0093.000		759551557300		POLSTER UNTEN	CUSHION BOTTOM
				DIE BEDIENUNGSANLEITUNG KOENNEN SIE IM INTERNET UNTER FOLGENDER ADRESSE ABRUFEN: WWW.GRUNDIG.DE MENU: DOWNLOADS	THE INSTRUCTION MANUAL CAN BE DOWNLOADED FROM THE INTERNET UNDER THE FOLLOWING ADDRESS: WWW.GRUNDIG.DE MENU: DOWNLOADS
		720100555000		SERVICE MANUAL D/GB	SERVICE MANUAL D/GB
		720100555100		SERVICE MANUAL D/GB 1. ERGAENZUNG	SERVICE MANUAL D/GB 1ST SUPPLEMENT
		720108000001		SICHERHEITSMANUAL D/GB/E/F/I	SAFETY SERVICE MANUAL D/GB/E/F/I
				X = SIEHE GESONDERTE E-LISTE	X = SEE SEPARATE PARTS LIST

89

Es gelten die Vorschriften und Sicherheitshinweise gemäß dem Service Manual "Sicherheit", Mat.-Nummer 720108000001, sowie zusätzlich die eventuell abweichenden, landesspezifischen Vorschriften!



The regulations and safety instructions shall be valid as provided by the "Safety" Service Manual, part number 720108000001, as well as the respective national deviations.

ÄNDERUNGEN VORBEHALTEN / SUBJECT TO ALTERATION

Ersatzteilliste
Spare Parts List

NUR FÜR INTERNEN GEBRAUCH
FOR INTERNAL USE ONLY

TV

4 / 2011

40 VLE 8180 S

BESTELL-NR. / ORDER NO.: GBJ8240 (JSU)

POS. NR. POS. NO.	ABB. FIG.	MATERIAL-NR. PART NUMBER	ANZ. QTY.	BEZEICHNUNG (D)	DESCRIPTION (GB)
		GBJ8240		40 VLE 8180 S PRODUKTCODE JSU KEIN E-TEIL	40 VLE 8180 S PRODUCT CODE JSU NO SPARE PART
				Hinweis: Sollte in dieser Ersatzteilliste Ihr "Product Code" oder Ihre Display-Variante nicht aufgeführt sein, finden Sie eine aktualisierte Version auf dem GRUNDIG Service-Portal " http://service.grundig.de ".	Note: If your "Product Code" or display variant is not mentioned in the spare parts list, please look for a current version at the GRUNDIG service portal " http://service.grundig.de ".
0001.000		759551558300		GEH.- VORDERTEIL SCHWARZ	FRONT CABINET BLACK
0002.000		759551589500		RUECKWAND SCHWARZ	BACK COVER BLACK
0005.000		759551558500		STANDFUSS SCHWARZ	STAND FOOT BLACK
0006.000		759551574100		STANDFUSS ZWISCHENSTUECK	STAND FOOT MIDDLEPART
0007.000		759551544600		KNOPF PROG./VOL./STD-BY SCHWARZ	KNOB PROG./VOL./STD-BY SCHWARZ
0015.000		759551556900		LAUTSPRECHER KOMPLETT	LOUDSPEAKER ASSY
0018.000		759551516900		KABEL DISPLAY-LVDS 500MM	CABLE DISPLAY-LVDS 500MM
0019.000		759551550100		LVDS-KABEL 41 PIN 40 LED PANEL	LVDS-CABLE 41 PIN 40 LED PANEL
0020.000	△	759551587800		LCD-DISPLAY SS LTA400HF16-E01	LCD-DISPLAY SS LTA400HF16-E01
0021.000		759551599600		INVERTERKABEL 400 MM	INVERTERKABEL 400 MM
0022.000	△	759551343100		NETZKABEL 180CM	POWER CABLE 180CM
0023.000	△	275990311200		LP-NETZTEILMODUL 175W 40-46 SL	POWER BOARD 175W 40-46 SLIM PS
0025.000	△	275991133700	X	LP-CHASSISMODUL SX (7S2)	CHASSIS BOARD SX (7S2)
0027.000		720117144800		FERNBEDIENUNG TP3	REMOTE CONTROL TP3
0028.000		720117145300		FERNBEDIENUNG TP EASY SCHWARZ	REMOTE CONTROL TP EASY BLACK
0030.000		759551057800		TASTSCHALTER	KEY SWITCH
0032.000		759551544900		IR-EMPPFAENGER TSOP35436TT	IR-RECEIVER TSOP35436TT
0033.000		759551549100		LED-SMD 1206 BLAU 250MCD 3.3V	LED-SMD 1206 BLUE 250MCD 3.3V
0036.000	△	759551583800		LP-SAT MODUL SH-DVB-S2 (VKK)	LP-SAT BOARD SH-DVB-S2 (VKK)
0090.000		759551529300		KARTON 40"	CARTON 40"
0091.000		759551551000		KARTON UNTERTEIL	CARTON DOWNPART
0092.000		759551557200		POLSTER OBEN	CUSHION TOP
0093.000		759551557300		POLSTER UNTEN	CUSHION BOTTOM
				DIE BEDIENUNGSANLEITUNG KOENNEN SIE IM INTERNET UNTER FOLGENDER ADRESSE ABRUFEN: WWW.GRUNDIG.DE MENU: DOWNLOADS	THE INSTRUCTION MANUAL CAN BE DOWNLOADED FROM THE INTERNET UNDER THE FOLLOWING ADDRESS: WWW.GRUNDIG.DE MENU: DOWNLOADS
		720100555000		SERVICE MANUAL D/GB	SERVICE MANUAL D/GB
		720100555100		SERVICE MANUAL D/GB 1. ERGAENZUNG	SERVICE MANUAL D/GB 1ST SUPPLEMENT
		720108000001		SICHERHEITSMANUAL D/GB/E/F/I	SAFETY SERVICE MANUAL D/GB/E/F/I
				X = SIEHE GESONDERTE E-LISTE	X = SEE SEPARATE PARTS LIST

Es gelten die Vorschriften und Sicherheitshinweise gemäß dem Service Manual "Sicherheit", Mat.-Nummer 720108000001, sowie zusätzlich die eventuell abweichenden, landesspezifischen Vorschriften!



The regulations and safety instructions shall be valid as provided by the "Safety" Service Manual, part number 720108000001, as well as the respective national deviations.

ÄNDERUNGEN VORBEHALTEN / SUBJECT TO ALTERATION

Ersatzteilliste
Spare Parts List

NUR FÜR INTERNEN GEBRAUCH
FOR INTERNAL USE ONLY

TV

4 / 2011

42 VLC 4120 C

POS. NR. POS. NO.	ABB. FIG.	MATERIAL-NR. PART NUMBER	ANZ. QTY.	BEZEICHNUNG (D)	BESTELL-NR. / ORDER NO.: GBJ6042 (JRX)	DESCRIPTION (GB)
		GBJ6042		42 VLC 4120 C BLACK PRODUKTCODE JRX KEIN E-TEIL		42 VLC 4120 C BLACK PRODUCT CODE JRX NO SPARE PART
				Hinweis: Sollte in dieser Ersatzteilliste Ihr "Product Code" oder Ihre Display-Variante nicht aufgeführt sein, finden Sie eine aktualisierte Version auf dem GRUNDIG Service-Portal " http://service.grundig.de ".		Note: If your "Product Code" or display variant is not mentioned in the spare parts list, please look for a current version at the GRUNDIG service portal " http://service.grundig.de ".
0001.000		759551590000		GEH.- VORDERTEIL SCHWARZ		FRONT CABINET BLACK
0002.000		759551600100		RUECKWAND SCHWARZ		BACK COVER BLACK
0005.000		759551539800		STANDFUSS SCHWARZ		STAND FOOT BLACK
0006.000		759551572700		STAND FUSS ZWISCHENSTUECK		STAND FOOT MIDDLEPART
0007.000		759551496800		KNOPF BEDIENUNG SCHWARZ		KNOB CONTROL BLACK
0015.000		759551401200		LAUTSPRECHER 10/15W 8 OHM		LOUDSPEAKER 10/15W 8 OHM
0016.000		759550975700		HOCHTONLAUTSPRECHER 10 OHM		TWEETER 10 OHM / 10 W
0019.000		759551511900		KABEL DISPLAY-LVDS 450MM		KABEL DISPLAY-LVDS 450MM
0020.000	△	759551558900		LCD-DISPLAY LGD LC420WUN-SCB1		LCD-DISPLAY LGD LC420WUN-SCB1
0021.000	△	759551599900		INVERTERKABEL 450 MM		INVERTERCABLE 450 MM
0022.000	△	759551350200		NETZKABEL 150 CM		POWER CABLE 150 CM
0023.000	△	275990308800		LP-NETZTEILMODUL FSP361-3F01		POWER SUPPLY BOARD FSP361-3F01
0025.000	△	275991137500	X	LP-CHASSISMODUL SX (VRH)		CHASSIS BOARD SX (VRH)
0027.000		720117144800		FERNBEDIENUNG TP3		REMOTE CONTROL TP3
0028.000		720117145300		FERNBEDIENUNG TP EASY SCHWARZ		REMOTE CONTROL TP EASY BLACK
0030.000		759551558800		TASTSCHALTER		KEY SWITCH
0032.000		759551544900		IR-EMPPFAENGER TSOP35436TT		IR-RECEIVER TSOP35436TT
0033.000		759551549100		LED-SMD 1206 BLAU 250MCD 3.3V		LED-SMD 1206 BLUE 250MCD 3.3V
0090.000		759551398800		KARTON		CARTON
0091.000		759551540100		POLSTER OBEN		CUSHION TOP
0092.000		759551540200		POLSTER OBEN RECHTS		CUSHION TOP RIGHT
0093.000		759551540300		POLSTER UNTEN		CUSHION BOTTOM
0094.000		759551540400		POLSTER UNTEN RECHTS		CUSHION BOTTOM RIGHT
				DIE BEDIENUNGSANLEITUNG KOENNEN SIE IM INTERNET UNTER FOLGENDER ADRESSE ABRUFEN: WWW.GRUNDIG.DE MENU: DOWNLOADS		THE INSTRUCTION MANUAL CAN BE DOWNLOADED FROM THE INTERNET UNDER THE FOLLOWING ADDRESS: WWW.GRUNDIG.DE MENU: DOWNLOADS
		720100555000		SERVICE MANUAL D/GB		SERVICE MANUAL D/GB
		720100555100		SERVICE MANUAL D/GB 1. ERGAENZUNG		SERVICE MANUAL D/GB 1ST SUPPLEMENT
		720108000001		SICHERHEITSMANUAL D/GB/E/F/I		SAFETY SERVICE MANUAL D/GB/E/F/I
				X = SIEHE GESONDERTE E-LISTE		X = SEE SEPARATE PARTS LIST

69

Es gelten die Vorschriften und Sicherheitshinweise gemäß dem Service Manual "Sicherheit", Mat.-Nummer 720108000001, sowie zusätzlich die eventuell abweichenden, landesspezifischen Vorschriften!



The regulations and safety instructions shall be valid as provided by the "Safety" Service Manual, part number 720108000001, as well as the respective national deviations.

ÄNDERUNGEN VORBEHALTEN / SUBJECT TO ALTERATION

Ersatzteilliste
Spare Parts List

NUR FÜR INTERNEN GEBRAUCH
FOR INTERNAL USE ONLY

TV

7 / 2010

42 VLC 9040 S

POS. NR. POS. NO.	ABB. FIG.	MATERIAL-NR. PART NUMBER	ANZ. QTY.	BEZEICHNUNG (D)	BESTELL-NR. / ORDER NO.: GBI6242 (HXB)	DESCRIPTION (GB)
		GBI6242		42 VLC 9040 S PRODUKTCODE HXB KEIN E-TEIL		42 VLC 9040 S PRODUCT CODE HXB NO SPARE PART
				Hinweis: Sollte in dieser Ersatzteilliste Ihr "Product Code" oder Ihre Display-Variante nicht aufgeführt sein, finden Sie eine aktualisierte Version auf dem GRUNDIG Service-Portal " http://service.grundig.de ".		Note: If your "Product Code" or display variant is not mentioned in the spare parts list, please look for a current version at the GRUNDIG service portal " http://service.grundig.de ".
0001.000		759551577000		GEH.- VORDERTEIL SCHWARZ		FRONT CABINET BLACK
0002.000		759551577100		RUECKWAND SCHWARZ		BACK COVER BLACK
0005.000		759551539800		STANDFUSS SCHWARZ		STAND FOOT BLACK
0006.000		759551572700		STAND FUSS ZWISCHENSTUECK		STAND FOOT MIDDLEPART
0007.000		759551496800		KNOPF BEDIENUNG SCHWARZ		KNOB CONTROL BLACK
0015.000		759551401200		LAUTSPRECHER 10/15W 8 OHM		LOUDSPEAKER 10/15W 8 OHM
0016.000		759550975700		HOCHTONLAUTSPRECHER 10 OHM		TWEETER 10 OHM / 10 W
0018.000		759551491700		KABEL DISPLAY-LVDS 350MM		KABEL DISPLAY-LVDS 350MM
0019.000		759551516600		KABEL DISPLAY-LVDS 450MM		KABEL DISPLAY-LVDS 450MM
0020.000	△	759551570100		LCD-DISPLAY LC420WUD-SCB1		LCD-DISPLAY LC420WUD-SCB1
0022.000	△	759551350200		NETZKABEL 150 CM		POWER CABLE 150 CM
0023.000	△	275990308800		LP-NETZTEILMODUL FSP361-3F01		POWER SUPPLY BOARD FSP361-3F01
0024.000	△	759550976400	X	NETZSCHALTER OHNE HALTER		POWER SWITCH WITHOUT HOLDER
0025.000	△	275991130600		LP-CHASSISMODUL SX (JLV)		CHASSISBOARD SX (JLV)
0027.000		720117144800		FERNBEDIENUNG TP3		REMOTE CONTROL TP3
0030.000		759551558800		TASTSCHALTER		KEY SWITCH
0032.000		759551544900		IR-EMPPFAENGER TSOP35436TT		IR-RECEIVER TSOP35436TT
0033.000		759551549100		LED-SMD 1206 BLAU 250MCD 3.3V		LED-SMD 1206 BLUE 250MCD 3.3V
0036.000		759551567100		LP-SAT BOARD SH-DVB-S2 (HYZ)		LP-SAT BOARD SH-DVB-S2 (HYZ)
0090.000		759551398800		KARTON		CARTON
0091.000		759551540100		POLSTER OBEN		CUSHION TOP
0092.000		759551540200		POLSTER OBEN RECHTS		CUSHION TOP RIGHT
0093.000		759551540300		POLSTER UNTEN		CUSHION BOTTOM
0094.000		759551540400		POLSTER UNTEN RECHTS		CUSHION BOTTOM RIGHT
				DIE BEDIENUNGSANLEITUNG KOENNEN SIE IM INTERNET UNTER FOLGENDER ADRESSE ABRUFEN: WWW.GRUNDIG.DE MENU: DOWNLOADS		THE INSTRUCTION MANUAL CAN BE DOWNLOADED FROM THE INTERNET UNDER THE FOLLOWING ADDRESS: WWW.GRUNDIG.DE MENU: DOWNLOADS
		720100555000		SERVICE MANUAL D/GB		SERVICE MANUAL D/GB
		720100555100		SERVICE MANUAL D/GB 1. ERGAENZUNG		SERVICE MANUAL D/GB 1ST SUPPLEMENT
		720108000001		SICHERHEITSMANUAL D/GB/E/F/I		SAFETY SERVICE MANUAL D/GB/E/F/I
				X = SIEHE GESONDERTE E-LISTE		X = SEE SEPARATE PARTS LIST

Es gelten die Vorschriften und Sicherheitshinweise gemäß dem Service Manual "Sicherheit", Mat.-Nummer 720108000001, sowie zusätzlich die eventuell abweichenden, landesspezifischen Vorschriften!



The regulations and safety instructions shall be valid as provided by the "Safety" Service Manual, part number 720108000001, as well as the respective national deviations.

ÄNDERUNGEN VORBEHALTEN / SUBJECT TO ALTERATION

Ersatzteilliste
Spare Parts List

NUR FÜR INTERNEN GEBRAUCH
FOR INTERNAL USE ONLY

TV

2 / 2011

42 VLE 9041 C

POS. NR. POS. NO.	ABB. FIG.	MATERIAL-NR. PART NUMBER	ANZ. QTY.	BEZEICHNUNG (D)	BESTELL-NR. / ORDER NO.: GBJ6142 (JTC)	DESCRIPTION (GB)
		GBJ6142		42 VLC 9041 C PRODUKTCODE JTC KEIN E-TEIL		42 VLC 9041 C PRODUCT CODE JTC NO SPARE PART
				Hinweis: Sollte in dieser Ersatzteilliste Ihr "Product Code" oder Ihre Display-Variante nicht aufgeführt sein, finden Sie eine aktualisierte Version auf dem GRUNDIG Service-Portal " http://service.grundig.de ".		Note: If your "Product Code" or display variant is not mentioned in the spare parts list, please look for a current version at the GRUNDIG service portal " http://service.grundig.de ".
0001.000		759551583900		GEH.- VORDERTEILSCHWARZ		FRONT CABINET BLACK
0002.000		759551584000		RUECKWAND SCHWARZ		BACK COVER BLACK
0005.000		759551539800		STANDFUSS SCHWARZ		STAND FOOT BLACK
0006.000		759551572700		STAND FUSS ZWISCHENSTUECK		STAND FOOT MIDDLEPART
0007.000		759551496800		KNOPF BEDIENUNG SCHWARZ		KNOB CONTROL BLACK
0015.000		759551401200		LAUTSPRECHER 10/15W 8 OHM		LOUDSPEAKER 10/15W 8 OHM 150X4
0016.000		759550975700		HOCHTONLAUTSPRECHER 10 OHM / 1		TWEETER 10 OHM / 10 W
0018.000		759551491700		KABEL DISPLAY-LVDS 350MM		CABLE DISPLAY-LVDS 350MM
0019.000		759551516600		KABEL DISPLAY-LVDS 450MM		CABLE DISPLAY-LVDS 450MM
0020.000	△	759551570100		LCD-DISPLAY LGD LC420WUD-SCB1		LCD-DISPLAY LGD LC420WUD-SCB1
0022.000	△	759551350200		NETZKABEL 150 CM		POWER CABLE 150 CM
0023.000	△	275990308800		LP-NETZTEILMODUL FSP361-3F01		POWER SUPPLY BOARD FSP361-3F01
0024.000	△	759550976400		NETZSCHALTER OHNE HALTER		POWER SWITCH WITHOUT HOLDER
0025.000	△	275991132600	X	LP-CHASSISMODUL SX (JTC)		CHASSIS BOARD SX (JTC)
0027.000		720117144800		FERNBEDIENUNG TP3		REMOTE CONTROL TP3
0030.000		759551558800		TASTSCHALTER		KEY SWITCH
0032.000		759551544900		IR-EMPFÄNGER TSOP35436TT		IR-RECEIVER TSOP35436TT
0033.000		759551549100		LED-SMD 1206 BLAU 250MCD 3.3V		LED-SMD 1206 BLUE 250MCD 3.3V
0090.000		759551398800		KARTON		CARTON
0091.000		759551540100		POLSTER OBEN		CUSHION TOP
0092.000		759551540200		POLSTER OBEN RECHTS		CUSHION TOP RIGHT
0093.000		759551540300		POLSTER UNTEN		CUSHION BOTTOM
0094.000		759551540400		POLSTER UNTEN RECHTS		CUSHION BOTTOM RIGHT
				DIE BEDIENUNGSANLEITUNG KOENNEN SIE IM INTERNET UNTER FOLGENDER ADRESSE ABRUFEN: WWW.GRUNDIG.DE MENU: DOWNLOADS		THE INSTRUCTION MANUAL CAN BE DOWNLOADED FROM THE INTERNET UNDER THE FOLLOWING ADDRESS: WWW.GRUNDIG.DE MENU: DOWNLOADS
		720100555000		SERVICE MANUAL D/GB		SERVICE MANUAL D/GB
		720100555100		SERVICE MANUAL D/GB 1. ERGAENZUNG		SERVICE MANUAL D/GB 1ST SUPPLEMENT
		720108000001		SICHERHEITSMANUAL D/GB/E/F/I		SAFETY SERVICE MANUAL D/GB/E/F/I
				X = SIEHE GESONDERTE E-LISTE		X = SEE SEPARATE PARTS LIST

70

Es gelten die Vorschriften und Sicherheitshinweise gemäß dem Service Manual "Sicherheit", Mat.-Nummer 720108000001, sowie zusätzlich die eventuell abweichenden, landesspezifischen Vorschriften!



The regulations and safety instructions shall be valid as provided by the "Safety" Service Manual, part number 720108000001, as well as the respective national deviations.

ÄNDERUNGEN VORBEHALTEN / SUBJECT TO ALTERATION

Ersatzteilliste
Spare Parts List

NUR FÜR INTERNEN GEBRAUCH
FOR INTERNAL USE ONLY

TV

4 / 2011

42 VLC 9140 S

POS. NR. POS. NO.	ABB. FIG.	MATERIAL-NR. PART NUMBER	ANZ. QTY.	BEZEICHNUNG (D)	BESTELL-NR. / ORDER NO.: GBJ6242 (JVU)	DESCRIPTION (GB)
		GBJ6242		42 VLC 9140 S PRODUKTCODE JVU KEIN E-TEIL		42 VLC 9140 S PRODUCT CODE JVU NO SPARE PART
				Hinweis: Sollte in dieser Ersatzteilliste Ihr "Product Code" oder Ihre Display-Variante nicht aufgeführt sein, finden Sie eine aktualisierte Version auf dem GRUNDIG Service-Portal " http://service.grundig.de ".		Note: If your "Product Code" or display variant is not mentioned in the spare parts list, please look for a current version at the GRUNDIG service portal " http://service.grundig.de ".
0001.000		759551577000		GEH.- VORDERTEIL SCHWARZ		FRONT CABINET BLACK
0002.000		759551577100		RUECKWAND SCHWARZ		BACK COVER BLACK
0005.000		759551539800		STANDFUSS SCHWARZ		STAND FOOT BLACK
0006.000		759551572700		STAND FUSS ZWISCHENSTUECK		STAND FOOT MIDDLEPART
0007.000		759551496800		KNOPF BEDIENUNG SCHWARZ		KNOB CONTROL BLACK
0015.000		759551401200		LAUTSPRECHER 10/15W 8 OHM		LOUDSPEAKER 10/15W 8 OHM 150X4
0016.000		759550975700		HOCHTONLAUTSPRECHER 10 OHM		TWEETER 10 OHM / 10 W
0018.000		759551491700		KABEL DISPLAY-LVDS 350MM		CABLE DISPLAY-LVDS 350MM
0019.000		759551516600		KABEL DISPLAY-LVDS 450MM		CABLE DISPLAY-LVDS 450MM
0020.000	△	759551570100		LCD-DISPLAY LGD LC420WUD-SCB1		LCD-DISPLAY LGD LC420WUD-SCB1
0021.000		759551599900		INVERTERKABEL 450 MM		INVERTERCABLE 450 MM
0022.000	△	759551350200		NETZKABEL 150 CM		POWER CABLE 150 CM
0023.000	△	275990308800		LP-NETZTEILMODUL FSP361-3F01		POWER SUPPLY BOARD FSP361-3F01
0024.000	△	759550976400		NETZSCHALTER OHNE HALTER		POWER SWITCH WITHOUT HOLDER
0025.000	△	275991137600	X	LP-CHASSISMODUL SX (JVU)		CHASSIS BOARD SX (JVU)
0027.000		720117144800		FERNBEDIENUNG TP3		REMOTE CONTROL TP3
0028.000		720117145300		FERNBEDIENUNG TP EASY SCHWARZ		REMOTE CONTROL TP EASY BLACK
0030.000		759551558800		TASTSCHALTER		KEY SWITCH
0032.000		759551544900		IR-EMPFÄNGER TSOP35436TT		IR-RECEIVER TSOP35436TT
0033.000		759551549100		LED-SMD 1206 BLAU 250MCD 3.3V		LED-SMD 1206 BLUE 250MCD 3.3V
0090.000		759551398800		KARTON		CARTON
0091.000		759551540100		POLSTER OBEN		CUSHION TOP
0092.000		759551540200		POLSTER OBEN RECHTS		CUSHION TOP RIGHT
0093.000		759551540300		POLSTER UNTEN		CUSHION BOTTOM
0094.000		759551540400		POLSTER UNTEN RECHTS		CUSHION BOTTOM RIGHT
				DIE BEDIENUNGSANLEITUNG KOENNEN SIE IM INTERNET UNTER FOLGENDER ADRESSE ABRUFEN: WWW.GRUNDIG.DE MENU: DOWNLOADS		THE INSTRUCTION MANUAL CAN BE DOWNLOADED FROM THE INTERNET UNDER THE FOLLOWING ADDRESS: WWW.GRUNDIG.DE MENU: DOWNLOADS
		720100555000		SERVICE MANUAL D/GB		SERVICE MANUAL D/GB
		720100555100		SERVICE MANUAL D/GB 1. ERGAENZUNG		SERVICE MANUAL D/GB 1ST SUPPLEMENT
		720108000001		SICHERHEITSMANUAL D/GB/E/F/I		SAFETY SERVICE MANUAL D/GB/E/F/I
				X = SIEHE GESONDERTE E-LISTE		X = SEE SEPARATE PARTS LIST

Es gelten die Vorschriften und Sicherheitshinweise gemäß dem Service Manual "Sicherheit", Mat.-Nummer 720108000001, sowie zusätzlich die eventuell abweichenden, landesspezifischen Vorschriften!



The regulations and safety instructions shall be valid as provided by the "Safety" Service Manual, part number 720108000001, as well as the respective national deviations.

ÄNDERUNGEN VORBEHALTEN / SUBJECT TO ALTERATION

Ersatzteilliste
Spare Parts List

NUR FÜR INTERNEN GEBRAUCH
FOR INTERNAL USE ONLY

TV

4 / 2011

FINE ARTS 32 C DL

BESTELL-NR. / ORDER NO.: GBJ7032 (JGY)

POS. NR. POS. NO.	ABB. FIG.	MATERIAL-NR. PART NUMBER	ANZ. QTY.	BEZEICHNUNG (D)	DESCRIPTION (GB)
<p>GBJ7032 FINE ARTS 32 C DL PRODUKTCODE JGY KEIN E-TEIL</p> <p>Hinweis: Sollte in dieser Ersatzteilliste Ihr "Product Code" oder Ihre Display-Variante nicht aufgeführt sein, finden Sie eine aktualisierte Version auf dem GRUNDIG Service-Portal "http://service.grundig.de".</p> <p>Note: If your "Product Code" or display variant is not mentioned in the spare parts list, please look for a current version at the GRUNDIG service portal "http://service.grundig.de".</p>					
0001.000		759551575000		GEH.- VORDERTEIL SILBER	FRONT CABINET SILBER
0002.000		759551608100		RUECKWAND SILBER	BACK COVER SILBER
0005.000		759551575200		SCHWENKFUSS SILBER	STAND SWIVEL SILBER
0007.000		759551550800		KNOPF PRG./ON-OFF SILBER	KNOB PRG./ON-OFF SILVER
0015.000		759551544700		LAUTSPRECHER KOMPLETT	SPEAKER COMPLETE
0018.000		759551566700		KABEL DISPLAY -LVDS 350 MM 51P	CABLE DISPLAY -LVDS 350 MM 51P
0019.000		759551566800		KABEL DISPLAY -LVDS 350 MM 41P	CABLE DISPLAY -LVDS 350 MM 41P
0020.000	△	759551566900		LCD-DISPLAY SS LTA320HF05-001	LCD-DISPLAY SS LTA320HF05-001
0021.000		759551599700		INVERTERKABEL 300 MM	INVERTERCABLE 300 MM
0022.000	△	759551529200		NETZKABEL 2000MM	CABLE POWER 2000MM
0023.000	△	275990310700		LP-NETZTEILMODUL 145W 32 SLIM	POWER BOARD 145W 32 SLIM PSU
0025.000	△	275991143500	X	LP-CHASSISMODUL SX (BR5)	CHASSIS BOARD SX (BR5)
0027.000		720117144800		FERNBEDIENUNG TP3	REMOTE CONTROL TP3
0028.000		720117145400		FERNBEDIENUNG TP EASY WEISS	REMOTE CONTROL TP EASY WHITE
0030.000		759551057800		TASTSCHALTER	KEY SWITCH
0032.000		759551504200		IR-EMPPFAENGER TSOP38438	IR RECEIVER TSOP38438
0033.000		759551541500		LED BLAU 5MM 3,5 V	LED BLUE 5MM 3,5 V
0090.000		759551573700		KARTON FINE ARTS 32"	CARTON FINE ARTS 32"
0091.000		759551573800		POLSTER OBEN LINKS	CUSHION TOP LEFT
0092.000		759551573900		POLSTER OBEN RECHTS	CUSHION TOP RIGHT
<p>DIE BEDIENUNGSANLEITUNG KOENNEN SIE IM INTERNET UNTER FOLGENDER ADRESSE ABRUFEN: WWW.GRUNDIG.DE MENU: DOWNLOADS</p> <p>THE INSTRUCTION MANUAL CAN BE DOWNLOADED FROM THE INTERNET UNDER THE FOLLOWING ADDRESS: WWW.GRUNDIG.DE MENU: DOWNLOADS</p>					
<p>720100555000 SERVICE MANUAL D/GB 720100555100 SERVICE MANUAL D/GB 1. ERGAENZUNG 720108000001 SICHERHEITSMANUAL D/GB/E/F/I</p> <p>720100555000 SERVICE MANUAL D/GB 720100555100 SERVICE MANUAL D/GB 1ST SUPPLEMENT 720108000001 SAFETY SERVICE MANUAL D/GB/E/F/I</p>					
<p>X = SIEHE GESONDERTE E-LISTE X = SEE SEPARATE PARTS LIST</p>					

Ersatzteilliste
Spare Parts List

NUR FÜR INTERNEN GEBRAUCH
FOR INTERNAL USE ONLY

TV

4 / 2011

FINE ARTS 32 S DL

BESTELL-NR. / ORDER NO.: GBJ7132 (JHN)

POS. NR. POS. NO.	ABB. FIG.	MATERIAL-NR. PART NUMBER	ANZ. QTY.	BEZEICHNUNG (D)	DESCRIPTION (GB)
<p>GBJ7132 FINE ARTS 32 S DL SILVER PRODUKTCODE JHN KEIN E-TEIL</p> <p>Hinweis: Sollte in dieser Ersatzteilliste Ihr "Product Code" oder Ihre Display-Variante nicht aufgeführt sein, finden Sie eine aktualisierte Version auf dem GRUNDIG Service-Portal "http://service.grundig.de".</p> <p>Note: If your "Product Code" or display variant is not mentioned in the spare parts list, please look for a current version at the GRUNDIG service portal "http://service.grundig.de".</p>					
0001.000		759551575000		GEH.- VORDERTEIL SILBER	FRONT CABINET SILVER
0002.000		759551575100		RUECKWAND SILBER	BACK COVER SILVER
0005.000		759551575200		SCHWENKFUSS SILBER	STAND SWIVEL SILVER
0007.000		759551550800		KNOPF PRG./ON-OFF SILBER	KNOB PRG./ON-OFF SILVER
0015.000		759551544700		LAUTSPRECHER KOMPLETT	SPEAKER COMPLETE
0018.000		759551566700		KABEL DISPLAY -LVDS 350 MM	CABLE DISPLAY -LVDS 350 MM
0019.000		759551566800		KABEL DISPLAY -LVDS 350 MM	CABLE DISPLAY -LVDS 350 MM
0020.000	△	759551566900		LCD-DISPLAY SS LTA320HF05-001	LCD-DISPLAY SS LTA320HF05-001
0021.000		759551599700		INVERTERKABEL 300 MM	INVERTERCABLE 300 MM
0022.000	△	759551529200		NETZKABEL 2000MM	CABLE POWER 2000MM
0023.000	△	275990310700		LP-NETZTEILMODUL 145W 32 SLIM	POWER BOARD 145W 32 SLIM PSU
0025.000	△	275991136900	X	LP-CHASSISMODUL SX (JHW)	CHASSIS BOARD SX (JHW)
0027.000		720117144800		FERNBEDIENUNG TP3	REMOTE CONTROL TP3
0028.000		720117145400		FERNBEDIENUNG TP EASY WEISS	REMOTE CONTROL TP EASY WHITE
0030.000		759551057800		TASTSCHALTER	KEY SWITCH
0032.000		759551504200		IR-EMPPFAENGER TSOP38438	IR RECEIVER TSOP38438
0033.000		759551541500		LED BLAU 5MM 3,5 V	LED BLUE 5MM 3,5 V
0036.000	△	759551567100		LP-SAT MODUL SH-DVB-S2 (HYZ)	LP-SAT BOARD SH-DVB-S2 (HYZ)
0090.000		759551573700		KARTON FINE ARTS 32"	CARTON FINE ARTS 32"
0091.000		759551573800		POLSTER OBEN LINKS	CUSHION TOP LEFT
0092.000		759551573900		POLSTER OBEN RECHTS	CUSHION TOP RIGHT
<p>DIE BEDIENUNGSANLEITUNG KOENNEN SIE IM INTERNET UNTER FOLGENDER ADRESSE ABRUFEN: WWW.GRUNDIG.DE MENU: DOWNLOADS</p> <p>THE INSTRUCTION MANUAL CAN BE DOWNLOADED FROM THE INTERNET UNDER THE FOLLOWING ADDRESS: WWW.GRUNDIG.DE MENU: DOWNLOADS</p>					
<p>720100555000 SERVICE MANUAL D/GB 720100555100 SERVICE MANUAL D/GB 1. ERGAENZUNG 720108000001 SICHERHEITSMANUAL D/GB/E/F/I</p> <p>720100555000 SERVICE MANUAL D/GB 720100555100 SERVICE MANUAL D/GB 1ST SUPPLEMENT 720108000001 SAFETY SERVICE MANUAL D/GB/E/F/I</p>					
<p>X = SIEHE GESONDERTE E-LISTE X = SEE SEPARATE PARTS LIST</p>					

71

Es gelten die Vorschriften und Sicherheitshinweise gemäß dem Service Manual "Sicherheit", Mat.-Nummer 720108000001, sowie zusätzlich die eventuell abweichenden, landesspezifischen Vorschriften!



The regulations and safety instructions shall be valid as provided by the "Safety" Service Manual, part number 720108000001, as well as the respective national deviations.

ÄNDERUNGEN VORBEHALTEN / SUBJECT TO ALTERATION

Es gelten die Vorschriften und Sicherheitshinweise gemäß dem Service Manual "Sicherheit", Mat.-Nummer 720108000001, sowie zusätzlich die eventuell abweichenden, landesspezifischen Vorschriften!



The regulations and safety instructions shall be valid as provided by the "Safety" Service Manual, part number 720108000001, as well as the respective national deviations.

ÄNDERUNGEN VORBEHALTEN / SUBJECT TO ALTERATION

Ersatzteilliste
Spare Parts List

NUR FÜR INTERNEN GEBRAUCH
FOR INTERNAL USE ONLY

TV

4 / 2011

FINE ARTS 32 S DL

BESTELL-NR. / ORDER NO.: GBJ7232 (JHW)

POS. NR. POS. NO.	ABB. FIG.	MATERIAL-NR. PART NUMBER	ANZ. QTY.	BEZEICHNUNG (D)	DESCRIPTION (GB)
		GBJ7232		FINE ARTS 32 S DL BLACK PRODUKTCODE JHW KEIN E-TEIL	FINE ARTS 32 S DL BLACK PRODUCT CODE JHW NO SPARE PART
				Hinweis: Sollte in dieser Ersatzteilliste Ihr "Product Code" oder Ihre Display-Variante nicht aufgeführt sein, finden Sie eine aktualisierte Version auf dem GRUNDIG Service-Portal " http://service.grundig.de ".	Note: If your "Product Code" or display variant is not mentioned in the spare parts list, please look for a current version at the GRUNDIG service portal " http://service.grundig.de ".
0001.000		759551573400		GEH.- VORDERTEIL SILBER	FRONT CABINET SILVER
0002.000		759551573500		RUECKWAND SILBER	BACK COVER SILVER
0005.000		759551573600		STANDFUSS SILBER	STAND FOOT SILVER
0007.000		759551544600		KNOPF PROG./VOL./STD-BY SCHWARZ	KNOB PROG./VOL./STD-BY SCHWARZ
0015.000		759551544700		LAUTSPRECHER KOMPLETT	SPEAKER COMPLETE
0018.000		759551566700		KABEL DISPLAY -LVDS 350 MM	CABLE DISPLAY -LVDS 350 MM
0019.000		759551566800		KABEL DISPLAY -LVDS 350 MM	CABLE DISPLAY -LVDS 350 MM
0020.000	△	759551566900		LCD-DISPLAY SS LTA320HF05-001	LCD-DISPLAY SS LTA320HF05-001
0021.000		759551599700		INVERTERKABEL 300 MM	INVERTERCABLE 300 MM
0022.000	△	759551529200		NETZKABEL 2000MM	CABLE POWER 2000MM
0023.000	△	275990310700		LP-NETZTEILMODUL 145W 32 SLIM	POWER BOARD 145W 32 SLIM PSU
0025.000	△	275991136900	X	LP-CHASSISMODUL SX (JHW)	CHASSIS BOARD SX (JHW)
0027.000		720117144800		FERNBEDIENUNG TP3	REMOTE CONTROL TP3
0028.000		720117145300		FERNBEDIENUNG TP EASY SCHWARZ	REMOTE CONTROL TP EASY BLACK
0030.000		759551057800		TASTSCHALTER	KEY SWITCH
0032.000		759551504200		IR-EMPPFAENGER TSOP38438	IR RECEIVER TSOP38438
0033.000		759551541500		LED BLAU 5MM 3,5 V	LED BLUE 5MM 3,5 V
0036.000	△	759551567100		LP-SAT MODUL SH-DVB-S2 (HYZ)	LP-SAT BOARD SH-DVB-S2 (HYZ)
0090.000		759551573700		KARTON FINE ARTS 32"	CARTON FINE ARTS 32"
0091.000		759551573800		POLSTER OBEN LINKS	CUSHION TOP LEFT
0092.000		759551573900		POLSTER OBEN RECHTS	CUSHION TOP RIGHT
				DIE BEDIENUNGSANLEITUNG KOENNEN SIE IM INTERNET UNTER FOLGENDER ADRESSE ABRUFEN: WWW.GRUNDIG.DE MENU: DOWNLOADS	THE INSTRUCTION MANUAL CAN BE DOWNLOADED FROM THE INTERNET UNDER THE FOLLOWING ADDRESS: WWW.GRUNDIG.DE MENU: DOWNLOADS
		720100555000		SERVICE MANUAL D/GB	SERVICE MANUAL D/GB
		720100555100		SERVICE MANUAL D/GB 1. ERGAENZUNG	SERVICE MANUAL D/GB 1ST SUPPLEMENT
		720108000001		SICHERHEITSMANUAL D/GB/E/F/I	SAFETY SERVICE MANUAL D/GB/E/F/I
				X = SIEHE GESONDERTE E-LISTE	X = SEE SEPARATE PARTS LIST

Es gelten die Vorschriften und Sicherheitshinweise gemäß dem Service Manual "Sicherheit", Mat.-Nummer 720108000001, sowie zusätzlich die eventuell abweichenden, landesspezifischen Vorschriften!



The regulations and safety instructions shall be valid as provided by the "Safety" Service Manual, part number 720108000001, as well as the respective national deviations.

ÄNDERUNGEN VORBEHALTEN / SUBJECT TO ALTERATION

Ersatzteilliste
Spare Parts List

NUR FÜR INTERNEN GEBRAUCH
FOR INTERNAL USE ONLY

TV

4 / 2011

FINE ARTS 40 S DL

BESTELL-NR. / ORDER NO.: GBJ7440 (JJQ)

POS. NR. POS. NO.	ABB. FIG.	MATERIAL-NR. PART NUMBER	ANZ. QTY.	BEZEICHNUNG (D)	DESCRIPTION (GB)
		GBJ7440		FINE ARTS 40 S DL SILVER PRODUKTCODE JJQ KEIN E-TEIL	FINE ARTS 40 S DL SILVER PRODUCT CODE JJQ NO SPARE PART
				Hinweis: Sollte in dieser Ersatzteilliste Ihr "Product Code" oder Ihre Display-Variante nicht aufgeführt sein, finden Sie eine aktualisierte Version auf dem GRUNDIG Service-Portal " http://service.grundig.de ".	Note: If your "Product Code" or display variant is not mentioned in the spare parts list, please look for a current version at the GRUNDIG service portal " http://service.grundig.de ".
0001.000		759551588800		GEH.- VORDERTEIL SILBER	FRONT CABINET SILVER
0002.000		759551568100		RUECKWAND SILBER	BACK COVER SILVER
0005.000		759551568600		SCHWENKFUSS SILBER	STAND SWIVEL SILVER
0007.000		759551543600		KNOPF PROG./VOL./STD-BY SILBER	KNOB PROG./VOL./STD-BY SILVER
0014.000		759551531700		LAUTSPRECHERGITTER SILBER	SPEAKER GRILL SILVER
0015.000		759551529500		LAUTSPRECHER KOMPLETT	SPEAKER COMPLETE
0018.000		759551516900		KABEL DISPLAY-LVDS 500MM	CABLE DISPLAY-LVDS 500MM
0019.000		759551550100		LVDS-KABEL 41 PIN 40 LED PANEL	LVDS-CABLE 41 PIN 40 LED PANEL
0020.000	△	759551587800		LCD-DISPLAY LTA400HF16-E01*1	LCD-DISPLAY LTA400HF16-E01*1
0020.000	△	759551558700		LCD-DISPLAY LTA400HF16-C03*2	LCD-DISPLAY LTA400HF16-C03*2
0022.000	△	759551529200		NETZKABEL 2000MM	CABLE POWER 2000MM
0023.000	△	275990311200		LP-NETZTEILMODUL 175W 40-46 SL	POWER BOARD 175W 40-46 SLIM PS
0025.000	△	275991134500	X	LP-CHASSISMODUL SX (JJP)*1	CHASSISBOARD SX (JJP)*1
0025.000	△	275991134400	X	LP-CHASSISMODUL SX (JJQ)*2	CHASSISBOARD SX (JJQ)*2
0027.000		720117144800		FERNBEDIENUNG TP3	REMOTE CONTROL TP3
0028.000		720117145400		FERNBEDIENUNG TP EASY WEISS	REMOTE CONTROL TP EASY WHITE
0030.000		759550451400		TASTSCHALTER	KEY SWITCH
0032.000		759551504200		IR-EMPPFAENGER TSOP38438	IR RECEIVER TSOP38438
0033.000		759551541500		LED BLAU 5MM 3,5 V	LED BLUE 5MM 3,5 V
0036.000	△	759551583800		LP-SAT MODUL SH-DVB-S2 (VKK)	LP-SAT BOARD SH-DVB-S2 (VKK)
0090.000		759551551100		KARTON 40"	CARTON 40"
0091.000		759551551000		KARTON UNTERTEIL	CARTON DOWNPART
0092.000		759551529400		POLSTER OBEN	CUSHION TOP
0093.000		759551531600		POLSTER UNTEN	CUSHION BOTTOM
				DIE BEDIENUNGSANLEITUNG KOENNEN SIE IM INTERNET UNTER FOLGENDER ADRESSE ABRUFEN: WWW.GRUNDIG.DE MENU: DOWNLOADS	THE INSTRUCTION MANUAL CAN BE DOWNLOADED FROM THE INTERNET UNDER THE FOLLOWING ADDRESS: WWW.GRUNDIG.DE MENU: DOWNLOADS
		720100555000		SERVICE MANUAL D/GB	SERVICE MANUAL D/GB
		720100555100		SERVICE MANUAL D/GB 1. ERGAENZUNG	SERVICE MANUAL D/GB 1ST SUPPLEMENT
		720108000001		SICHERHEITSMANUAL D/GB/E/F/I	SAFETY SERVICE MANUAL D/GB/E/F/I
				X = SIEHE GESONDERTE E-LISTE	X = SEE SEPARATE PARTS LIST

Es gelten die Vorschriften und Sicherheitshinweise gemäß dem Service Manual "Sicherheit", Mat.-Nummer 720108000001, sowie zusätzlich die eventuell abweichenden, landesspezifischen Vorschriften!



The regulations and safety instructions shall be valid as provided by the "Safety" Service Manual, part number 720108000001, as well as the respective national deviations.

ÄNDERUNGEN VORBEHALTEN / SUBJECT TO ALTERATION

Ersatzteilliste
Spare Parts List

NUR FÜR INTERNEN GEBRAUCH
FOR INTERNAL USE ONLY

TV

4 / 2011

FINE ARTS 40 S DL

BESTELL-NR. / ORDER NO.: GBJ7540 (JJP)

POS. NR. POS. NO.	ABB. FIG.	MATERIAL-NR. PART NUMBER	ANZ. QTY.	BEZEICHNUNG (D)	DESCRIPTION (GB)
		GBJ7540		FINE ARTS 40 S DL BLACK PRODUKTCODE JJP KEIN E-TEIL	FINE ARTS 40 S DL BLACK PRODUCT CODE JJP NO SPARE PART
				Hinweis: Sollte in dieser Ersatzteilliste Ihr "Product Code" oder Ihre Display-Variante nicht aufgeführt sein, finden Sie eine aktualisierte Version auf dem GRUNDIG Service-Portal " http://service.grundig.de ".	Note: If your "Product Code" or display variant is not mentioned in the spare parts list, please look for a current version at the GRUNDIG service portal " http://service.grundig.de ".
0001.000		759551528900		GEH.- VORDERTEIL SCHWARZ	FRONT CABINET BLACK
0002.000		759551567200		RUECKWAND SCHWARZ	BACK COVER BLACK
0005.000		759551568700		SCHWENKFUSS SCHWARZ	STAND SWIVEL BLACK
0007.000		759551542500		KNOPF PROG./VOL./STD-BY SCHWARZ	KNOPF PROG./VOL./STD-BY BLACK
0014.000		759551534300		LAUTSPRECHER ABDECKUNG SCHWARZ	SPEAKER COVER BLACK
0015.000		759551529500		LAUTSPRECHER KOMPLETT	SPEAKER COMPLETE
0018.000		759551516900		KABEL DISPLAY-LVDS 500MM	CABLE DISPLAY-LVDS 500MM
0019.000		759551550100		LVDS-KABEL 41 PIN 40 LED PANEL	LVDS-CABLE 41 PIN 40 LED PANEL
0020.000	△	759551587800		LCD-DISPLAY LTA400HF16-E01	LCD-DISPLAY LTA400HF16-E01
0022.000	△	759551529200		NETZKABEL 2000MM	CABLE POWER 2000MM
0023.000	△	275990311200		LP-NETZTEILMODUL 175W 40-46 SL	POWER BOARD 175W 40-46 SLIM PS
0025.000	△	275991134500		LP-CHASSISMODUL SX (JJP)	CHASSISBOARD SX (JJP)
0027.000		720117144800	X	FERNBEDIENUNG TP3	REMOTE CONTROL TP3
0028.000		720117145300		FERNBEDIENUNG TP EASY SCHWARZ	REMOTE CONTROL TP EASY BLACK
0030.000		759550451400		TASTSCHALTER	KEY SWITCH
0032.000		759551504200		IR-EMPFÄNGER TSOP38438	IR RECEIVER TSOP38438
0033.000		759551541500		LED BLAU 5MM 3,5 V	LED BLUE 5MM 3,5 V
0036.000	△	759551583800		LP-SAT MODUL SH-DVB-S2 (VKK)	LP-SAT BOARD SH-DVB-S2 (VKK)
0090.000		759551557100		KARTON OBERTEIL 40" VLE	CARTON TOP 40" VLE
0091.000		759551551000		KARTON UNTERTEIL	CARTON DOWNPART
0092.000		759551529400		POLSTER OBEN	CUSHION TOP
0093.000		759551531600		POLSTER UNTEN	CUSHION BOTTOM
				DIE BEDIENUNGSANLEITUNG KOENNEN SIE IM INTERNET UNTER FOLGENDER ADRESSE ABRUFEN: WWW.GRUNDIG.DE MENU: DOWNLOADS	THE INSTRUCTION MANUAL CAN BE DOWNLOADED FROM THE INTERNET UNDER THE FOLLOWING ADDRESS: WWW.GRUNDIG.DE MENU: DOWNLOADS
		720100555000		SERVICE MANUAL D/GB	SERVICE MANUAL D/GB
		720100555100		SERVICE MANUAL D/GB 1. ERGAENZUNG	SERVICE MANUAL D/GB 1ST SUPPLEMENT
		720108000001		SICHERHEITSMANUAL D/GB/E/F/I	SAFETY SERVICE MANUAL D/GB/E/F/I
				X = SIEHE GESONDERTE E-LISTE	X = SEE SEPARATE PARTS LIST

73

Es gelten die Vorschriften und Sicherheitshinweise gemäß dem Service Manual "Sicherheit", Mat.-Nummer 720108000001, sowie zusätzlich die eventuell abweichenden, landesspezifischen Vorschriften!



The regulations and safety instructions shall be valid as provided by the "Safety" Service Manual, part number 720108000001, as well as the respective national deviations.

ÄNDERUNGEN VORBEHALTEN / SUBJECT TO ALTERATION

Ersatzteilliste
Spare Parts List

NUR FÜR INTERNEN GEBRAUCH
FOR INTERNAL USE ONLY

TV

5 / 2011

FINE ARTS 46 3D DL

BESTELL-NR. / ORDER NO.: GBJ7746 (JJS)

POS. NR. POS. NO.	ABB. FIG.	MATERIAL-NR. PART NUMBER	ANZ. QTY.	BEZEICHNUNG (D)	DESCRIPTION (GB)
		GBJ7746		FINE ARTS 46 3D DL (BLACK) PRODUKTCODE JJS KEIN E-TEIL	FINE ARTS 46 3D DL (BLACK) PRODUCT CODE JJS NO SPARE PART
				Hinweis: Sollte in dieser Ersatzteilliste Ihr "Product Code" oder Ihre Display-Variante nicht aufgeführt sein, finden Sie eine aktualisierte Version auf dem GRUNDIG Service-Portal " http://service.grundig.de ".	Note: If your "Product Code" or display variant is not mentioned in the spare parts list, please look for a current version at the GRUNDIG service portal " http://service.grundig.de ".
0001.000		759551601200		GEH.- VORDERTEIL SCHWARZ	FRONT CABINET BLACK
0002.000		759551568500		RUECKWAND SCHWARZ	BACK COVER BLACK
0005.000		759551542400		SCHWENKFUSS SCHWARZ	STAND SWIVEL BLACK
0007.000		759551542500		KNOPF PROG./VOL./STD-BY SCHWARZ	KNOPF PROG./VOL./STD-BY BLACK
0015.000		759551542700		LAUTSPRECHER KOMPLETT	SPEAKER ASSY
0019.000		759551593400		KABEL DISPLAY-LVDS 500MM	CABLE DISPLAY-LVDS 500MM
0020.000	△	759551601300		LCD-DISPLAY SS LTA460HQ08-001B	LCD-DISPLAY SS LTA460HQ08-001B
0021.000	△	759551599700		INVERTERKABEL 300 MM	INVERTERCABLE 300 MM
0022.000	△	759551529200		NETZKABEL 2000MM	CABLE POWER 2000MM
0023.000	△	275990311200		LP-NETZTEILMODUL 175W 40-46 SL	POWER BOARD 175W 40-46 SLIM PS
0025.000	△	275991140400		LP-CHASSISMODUL SX (JJS)	CHASSIS BOARD SX (JJS)
0027.000		720117225900		FERNBEDIENUNG TP5	REMOTE CONTROL TP5
0028.000		720117145300		FERNBEDIENUNG TP EASY SCHWARZ	REMOTE CONTROL TP EASY BLACK
0030.000		759550451400		TASTSCHALTER	KEY SWITCH
0032.000		759551504200		IR-EMPFÄNGER TSOP38438	IR RECEIVER TSOP38438
0033.000		759551541500		LED BLAU 5MM 3,5 V	LED BLUE 5MM 3,5 V
0034.000		759551599400		3D-EMITTER MODUL	3D-EMITTER MODUL
0036.000	△	759551583800		LP-SAT MODUL SH-DVB-S2 (VKK)	LP-SAT BOARD SH-DVB-S2 (VKK)
0037.000		759551600600		FLACHBANDKABEL 22 PIN SAT-MODUL	CABLE FFC 22 PIN SAT-MODUL
0090.000		759551542900		KARTON LED 46"	CARTON LED 46"
0091.000		759551543100		POLSTER OBEN	CUSHION TOP
0092.000		759551543100		POLSTER OBEN	CUSHION TOP
				DIE BEDIENUNGSANLEITUNG KOENNEN SIE IM INTERNET UNTER FOLGENDER ADRESSE ABRUFEN: WWW.GRUNDIG.DE MENU: DOWNLOADS	THE INSTRUCTION MANUAL CAN BE DOWNLOADED FROM THE INTERNET UNDER THE FOLLOWING ADDRESS: WWW.GRUNDIG.DE MENU: DOWNLOADS
		720100555000		SERVICE MANUAL D/GB	SERVICE MANUAL D/GB
		720100555100		SERVICE MANUAL D/GB 1. ERGAENZUNG	SERVICE MANUAL D/GB 1ST SUPPLEMENT
		720108000001		SICHERHEITSMANUAL D/GB/E/F/I	SAFETY SERVICE MANUAL D/GB/E/F/I
				X = SIEHE GESONDERTE E-LISTE	X = SEE SEPARATE PARTS LIST

Es gelten die Vorschriften und Sicherheitshinweise gemäß dem Service Manual "Sicherheit", Mat.-Nummer 720108000001, sowie zusätzlich die eventuell abweichenden, landesspezifischen Vorschriften!



The regulations and safety instructions shall be valid as provided by the "Safety" Service Manual, part number 720108000001, as well as the respective national deviations.

ÄNDERUNGEN VORBEHALTEN / SUBJECT TO ALTERATION

Ersatzteilliste
Spare Parts List

NUR FÜR INTERNEN GEBRAUCH
FOR INTERNAL USE ONLY

TV

4 / 2011

FINE ARTS 46 S DL

BESTELL-NR. / ORDER NO.: GBJ7446 (JTD)

POS. NR. POS. NO.	ABB. FIG.	MATERIAL-NR. PART NUMBER	ANZ. QTY.	BEZEICHNUNG (D)	DESCRIPTION (GB)
		GBJ7446		FINE ARTS 46 S DL BLACK PRODUKTCODE JTD KEIN E-TEIL	FINE ARTS 46 S DL BLACK PRODUCT CODE JTD NO SPARE PART
				Hinweis: Sollte in dieser Ersatzteilliste Ihr "Product Code" oder Ihre Display-Variante nicht aufgeführt sein, finden Sie eine aktualisierte Version auf dem GRUNDIG Service-Portal "http://service.grundig.de" .	Note: If your "Product Code" or display variant is not mentioned in the spare parts list, please look for a current version at the GRUNDIG service portal "http://service.grundig.de" .
0001.000		759551542200		GEH.-VORDERTEIL SCHWARZ	FRONT CABINET BLACK
0002.000		759551568500		RUECKWAND SCHWARZ	BACK COVER BLACK
0005.000		759551542400		SCHWENKFUSS SCHWARZ	STAND SWIVEL BLACK
0007.000		759551542500		KNOPF PROG./VOL./STD-BY SCHWARZ	KNOPF PROG./VOL./STD-BY BLACK
0014.000		759551542600		LAUTSPRECHERGITTER SCHWARZ	SPEAKER GRILL BLACK
0015.000		759551542700		LAUTSPRECHER KOMPLETT	SPEAKER ASSY
0018.000		759551516900		KABEL DISPLAY-LVDS 500MM	CABLE DISPLAY-LVDS 500MM
0019.000		759551550100		LVDS-KABEL 41 PIN 40 LED PANEL	LVDS-CABLE 41 PIN 40 LED PANEL
0020.000	△	759551565800		LCD-DISPLAY LTA460HJ09-C01*1	LCD-DISPLAY LTA460HJ09-C01*1
0020.000	△	759551608000		LCD-DISPLAY LTA460HJ09-C03*2	LCD-DISPLAY LTA460HJ09-C03*2
0021.000		759551600300		INVERTERKABEL 400MM*2	INVERTER CABLE 400MM*2
0022.000	△	759551529200		NETZKABEL 2000MM	CABLE POWER 2000MM
0023.000	△	275990311200		LP-NETZTEILMODUL 175W 40-46 SL	POWER BOARD 175W 40-46 SLIM PS
0025.000	△	275991134200	X	LP-CHASSISMODUL SX (JTD)*1	CHASSIS BOARD SX (JTD)*1
0025.000	△	275991143200	X	LP-CHASSISMODUL SX (BN2)*2	CHASSIS BOARD SX (BN2)*2
0027.000		720117144800		FERNBEDIENUNG TP3	REMOTE CONTROL TP3
0028.000		720117145300		FERNBEDIENUNG TP EASY SCHWARZ	REMOTE CONTROL TP EASY BLACK
0030.000		759550451400		TASTSCHALTER	KEY SWITCH
0032.000		759551504200		IR-EMPFÄNGER TSOP38438	IR RECEIVER TSOP38438
0033.000		759551541500		LED BLAU 5MM 3,5 V	LED BLUE 5MM 3,5 V
0036.000	△	759551567100		LP-SAT MODUL SH-DVB-S2 (HYZ)*1	LP-SAT BOARD SH-DVB-S2 (HYZ)*1
0036.000	△	759551583800		LP-SAT MODUL SH-DVB-S2 (VKK)*2	LP-SAT BOARD SH-DVB-S2 (VKK)*2
0037.000		759551600600		FLACHBANDKABEL 22PIN SAT-MOD.*2	CABLE FFC 22PIN SAT-MOD.*2
0090.000		759551542900		KARTON LED 46"	CARTON LED 46"
0091.000		759551543100		POLSTER OBEN	CUSHION TOP
0092.000		759551543100		POLSTER OBEN	CUSHION TOP
				DIE BEDIENUNGSANLEITUNG KOENNEN SIE IM INTERNET UNTER FOLGENDER ADRESSE ABRUFEN: WWW.GRUNDIG.DE MENU: DOWNLOADS	THE INSTRUCTION MANUAL CAN BE DOWNLOADED FROM THE INTERNET UNDER THE FOLLOWING ADDRESS: WWW.GRUNDIG.DE MENU: DOWNLOADS
				720100555000 SERVICE MANUAL D/GB 720100555100 SERVICE MANUAL D/GB 1. ERGAENZUNG 720108000001 SICHERHEITSMANUAL D/GB/E/F/I	SERVICE MANUAL D/GB SERVICE MANUAL D/GB 1ST SUPPLEMENT SAFETY SERVICE MANUAL D/GB/E/F/I
				X = SIEHE GESONDERTE E-LISTE	X = SEE SEPARATE PARTS LIST

Es gelten die Vorschriften und Sicherheitshinweise gemäß dem Service Manual "Sicherheit", Mat.-Nummer 720108000001, sowie zusätzlich die eventuell abweichenden, landesspezifischen Vorschriften!



The regulations and safety instructions shall be valid as provided by the "Safety" Service Manual, part number 720108000001, as well as the respective national deviations.

ÄNDERUNGEN VORBEHALTEN / SUBJECT TO ALTERATION

Ersatzteilliste
Spare Parts List

NUR FÜR INTERNEN GEBRAUCH
FOR INTERNAL USE ONLY

TV

4 / 2011

FINE ARTS 46 S DL

BESTELL-NR. / ORDER NO.: GBJ7546 (JTE)

POS. NR. POS. NO.	ABB. FIG.	MATERIAL-NR. PART NUMBER	ANZ. QTY.	BEZEICHNUNG (D)	DESCRIPTION (GB)
		GBJ7546		FINE ARTS 46 S DL SILVER PRODUKTCODE JTE KEIN E-TEIL	FINE ARTS 46 S DL SILVER PRODUCT CODE JTE NO SPARE PART
				Hinweis: Sollte in dieser Ersatzteilliste Ihr "Product Code" oder Ihre Display-Variante nicht aufgeführt sein, finden Sie eine aktualisierte Version auf dem GRUNDIG Service-Portal "http://service.grundig.de" .	Note: If your "Product Code" or display variant is not mentioned in the spare parts list, please look for a current version at the GRUNDIG service portal "http://service.grundig.de" .
0001.000		759551547300		GEH.- VORDERTEIL SILBER	FRONT CABINET SILVER
0002.000		759551568300		RUECKWAND SILBER	BACK COVER SILVER
0005.000		759551547400		SCHWENKFUSS SILBER	STAND SWIVEL SILVER
0007.000		759551543600		KNOPF PROG./VOL./STD-BY SILBER	KNOPF PROG./VOL./STD-BY SILVER
0014.000		759551543700		LAUTSPRECHERGITTER SILBER	SPEAKER GRILL SILVER
0015.000		759551542700		LAUTSPRECHER KOMPLETT	SPEAKER ASSY
0018.000		759551516900		KABEL DISPLAY-LVDS 500MM	CABLE DISPLAY-LVDS 500MM
0019.000		759551550100		LVDS-KABEL 41 PIN 40 LED PANEL*1	LVDS-CABLE 41 PIN 40 LED PANEL*1
0019.000		759551600300		INVERTERKABEL 400MM*2	INVERTER CABLE 400MM*2
0020.000	△	759551565800		LCD-DISPLAY LTA460HJ09-C01*1	LCD-DISPLAY LTA460HJ09-C01*1
0020.000	△	759551608000		LCD-DISPLAY LTA460HJ09-C03*2	LCD-DISPLAY LTA460HJ09-C03*2
0021.000		759551550100		LVDS-KABEL 41PIN 40LED*2	LVDS-CABLE 41PIN 40LED*2
0022.000	△	759551529200		NETZKABEL 2000MM	CABLE POWER 2000MM
0023.000	△	275990311200		LP-NETZTEILMODUL 175W 40-46 SL	POWER BOARD 175W 40-46 SLIM PS
0025.000	△	275991134200	X	LP-CHASSISMODUL SX (JTD)*1	CHASSIS BOARD SX (JTD)*1
0025.000	△	275991143200	X	LP-CHASSISMODUL SX (BN2)*2	CHASSIS BOARD SX (BN2)*2
0027.000		720117144800		FERNBEDIENUNG TP3	REMOTE CONTROL TP3
0028.000		720117144800		FERNBEDIENUNG TP EASY WEISS	REMOTE CONTROL TP EASY WHITE
0030.000		759550451400		TASTSCHALTER	KEY SWITCH
0032.000		759551504200		IR-EMPFÄNGER TSOP38438	IR RECEIVER TSOP38438
0033.000		759551541500		LED BLAU 5MM 3,5 V	LED BLUE 5MM 3,5 V
0036.000	△	759551567100		LP-SAT MODUL SH-DVB-S2 (HYZ)*1	LP-SAT BOARD SH-DVB-S2 (HYZ)*1
0036.000	△	759551583800		LP-SAT MODUL SH-DVB-S2 (VKK)*2	LP-SAT BOARD SH-DVB-S2 (VKK)*2
0037.000		759551600600		FLACHBANDKABEL 22PIN SAT-MOD.*2	CABLE FFC 22PIN SAT-MOD.*2
0090.000		759551542900		KARTON LED 46"	CARTON LED 46"
0091.000		759551543100		POLSTER OBEN	CUSHION TOP
0092.000		759551543100		POLSTER OBEN	CUSHION TOP
				DIE BEDIENUNGSANLEITUNG KOENNEN SIE IM INTERNET UNTER FOLGENDER ADRESSE ABRUFEN: WWW.GRUNDIG.DE MENU: DOWNLOADS	THE INSTRUCTION MANUAL CAN BE DOWNLOADED FROM THE INTERNET UNDER THE FOLLOWING ADDRESS: WWW.GRUNDIG.DE MENU: DOWNLOADS
				720100555000 SERVICE MANUAL D/GB 720100555100 SERVICE MANUAL D/GB 1. ERGAENZUNG 720108000001 SICHERHEITSMANUAL D/GB/E/F/I	SERVICE MANUAL D/GB SERVICE MANUAL D/GB 1ST SUPPLEMENT SAFETY SERVICE MANUAL D/GB/E/F/I
				X = SIEHE GESONDERTE E-LISTE	X = SEE SEPARATE PARTS LIST

Es gelten die Vorschriften und Sicherheitshinweise gemäß dem Service Manual "Sicherheit", Mat.-Nummer 720108000001, sowie zusätzlich die eventuell abweichenden, landesspezifischen Vorschriften!



The regulations and safety instructions shall be valid as provided by the "Safety" Service Manual, part number 720108000001, as well as the respective national deviations.

ÄNDERUNGEN VORBEHALTEN / SUBJECT TO ALTERATION

Ersatzteilliste
Spare Parts List

NUR FÜR INTERNEN GEBRAUCH
FOR INTERNAL USE ONLY

TV

4 / 2011

FINE ARTS 55 3D DL

POS. NR. POS. NO.	ABB. FIG.	MATERIAL-NR. PART NUMBER	ANZ. QTY.	BEZEICHNUNG (D)	BESTELL-NR. / ORDER NO.: GBJ7555 (JSG)	DESCRIPTION (GB)
		GBJ7555		FINE ARTS 55 3D DL SCHWARZ PRODUKTCODE JSG KEIN E-TEIL		FINE ARTS 55 3D DL BLACK PRODUCT CODE JSG NO SPARE PART
				Hinweis: Sollte in dieser Ersatzteilliste Ihr "Product Code" oder Ihre Display-Variante nicht aufgeführt sein, finden Sie eine aktualisierte Version auf dem GRUNDIG Service-Portal " http://service.grundig.de ".		Note: If your "Product Code" or display variant is not mentioned in the spare parts list, please look for a current version at the GRUNDIG service portal " http://service.grundig.de ".
0001.000		759551592900		GEH.- VORDERTEIL SCHWARZ		FRONT CABINET BLACK
0002.000		759551593000		RUECKWAND SCHWARZ		BACK COVER BLACK
0005.000		759551593100		STANDFUSS SCHWARZ		STAND FOOT BLACK
0007.000		759551544600		KNOPF PROG./VOL./STD-BY SCHWARZ		KNOPF PROG./VOL./STD-BY SCHWARZ
0015.000		759551593300		LAUTSPRECHER KPL.		SPEAKER CPL.
0019.000		759551593400		KABEL DISPLAY-LVDS 500MM		CABLE DISPLAY-LVDS 500 MM
0020.000	△	759551593200		LCD-DISPLAY SS LTA550HQ06-C02		LCD-DISPLAY SS LTA550HQ06-C02
0021.000	△	759551599800		INVERTERKABEL 750 MM		INVERTERCABLE 750 MM
0022.000	△	759551593500		NETZKABEL		POWER CORD
0023.000	△	275990312100		LP-NETZTEILMODUL DPS-202CPA 3D		POWER BOARD DPS-202CPA 3D
0025.000	△	275991136500	X	LP-CHASSISMODUL SX (JSG)		CHASSIS BOARD SX (JSG)
0027.000		720117225900		FERNBEDIENUNG TP5		REMOTE CONTROL TP5
0028.000		720117145300		FERNBEDIENUNG TP EASY SCHWARZ		REMOTE CONTROL TP EASY BLACK
0030.000		759551057800		TASTSCHALTER		KEY SWITCH
0032.000		759551504200		IR-EMPPFAENGER TSOP38438		IR RECEIVER TSOP38438
0033.000		759551541500		LED BLAU 5MM 3,5 V		LED BLUE 5MM 3,5 V
0034.000		759551599400		3D-EMITTER MODUL		3D-EMITTER MODUL
0036.000	△	759551583800		LP-SAT MODUL SH-DVB-S2 (VKK)		LP-SAT BOARD SH-DVB-S2 (VKK)
0090.000		759551593600		KARTON 55" LED		CARTON 55" LED
0091.000		759551593700		POLSTER OBEN LINKS		CUSHION TOP LEFT
0092.000		759551593800		POLSTER OBEN MITTE		CUSHION TOP MIDDLE PART
0093.000		759551599000		POLSTER OBEN RECHTS		CUSHION TOP RIGHT
0094.000		759551599100		POLSTER BODEN LINKS		CUSHION BOTTOM LEFT
0095.000		759551599200		POLSTER BODEN MITTE		CUSHION BOTTOM MIDDLE PART
0096.000		759551599300		POLSTER BODEN RECHTS		CUSHION BOTTOM RIGHT
				DIE BEDIENUNGSANLEITUNG KOENNEN SIE IM INTERNET UNTER FOLGENDER ADRESSE ABRUFEN: WWW.GRUNDIG.DE MENU: DOWNLOADS		THE INSTRUCTION MANUAL CAN BE DOWNLOADED FROM THE INTERNET UNDER THE FOLLOWING ADDRESS: WWW.GRUNDIG.DE MENU: DOWNLOADS
		720100555000		SERVICE MANUAL D/GB		SERVICE MANUAL D/GB
		720100555100		SERVICE MANUAL D/GB 1. ERGAENZUNG		SERVICE MANUAL D/GB 1ST SUPPLEMENT
		720108000001		SICHERHEITSMANUAL D/GB/E/F/I		SAFETY SERVICE MANUAL D/GB/E/F/I
				X = SIEHE GESONDERTE E-LISTE		X = SEE SEPARATE PARTS LIST

Ersatzteilliste
Spare Parts List

NUR FÜR INTERNEN GEBRAUCH
FOR INTERNAL USE ONLY

TV

5 / 2011

HAMBURG 26 VLC 8100 S

POS. NR. POS. NO.	ABB. FIG.	MATERIAL-NR. PART NUMBER	ANZ. QTY.	BEZEICHNUNG (D)	BESTELL-NR. / ORDER NO.: GBJ8126 (JWH)	DESCRIPTION (GB)
		GBJ8126		HAMBURG 26 VLC 8100 S PRODUKTCODE JWH KEIN E-TEIL		HAMBURG 26 VLC 8100 S PRODUCT CODE JWH NO SPARE PART
				Hinweis: Sollte in dieser Ersatzteilliste Ihr "Product Code" oder Ihre Display-Variante nicht aufgeführt sein, finden Sie eine aktualisierte Version auf dem GRUNDIG Service-Portal " http://service.grundig.de ".		Note: If your "Product Code" or display variant is not mentioned in the spare parts list, please look for a current version at the GRUNDIG service portal " http://service.grundig.de ".
0001.000		759551515300		GEH.-VORDERTEIL SCHWARZ		FRONT CABINET BLACK
0002.000		759551601100		RUECKWAND SCHWARZ		BACK COVER BLACK
0005.000		759551572500		STANDFUSS SCHWARZ		STAND FOOT BLACK
0007.000		759551496800		KNOPF BEDIENUNG SCHWARZ		KNOPF CONTROL BLACK
0015.000		759551437700		LAUTSPRECHER 8 OHM 15/22.5W		LOUDSPEAKER 8 OHM 15/22.5W
0019.000		759551398900		KABEL DISPLAY-LVDS 250MM		CABLE DISPLAY-LVDS 250MM
0020.000	△	759551592600		LCD-DISPLAY AUO T260XW04 V705		LCD-DISPLAY AUO T260XW04 V705
0021.000	△	759551599700		INVERTERKABEL 300 MM		INVERTERCABLE 300 MM
0022.000	△	759551350200		NETZKABEL 150 CM		POWER CABLE 150 CM
0023.000	△	275990309000		LP-NETZTEILMODUL FSP139-3F01		POWER SUPPLY FSP139-3F01
0024.000	△	759551574200		NETZSCHALTER OHNE HALTER		POWER SWITCH WITHOUT HOLDER
0025.000	△	275991140300	X	LP-CHASSISMODUL SX (JWH)		CHASSIS BOARD SX (JWH)
0027.000		720117144800		FERNBEDIENUNG TP3		REMOTE CONTROL TP3
0028.000		720117145300		FERNBEDIENUNG TP EASY SCHWARZ		REMOTE CONTROL TP EASY BLACK
0029.000		275990230500		CONTROL BOARD TT 26T8 CB8		CONTROL BOARD TT 26T8 CB8
0030.000		759551057800		TASTSCHALTER		KEY SWITCH
0032.000		759551504200		IR-EMPPFAENGER TSOP38438		IR RECEIVER TSOP38438
0033.000		759551541500		LED BLAU 5MM 3,5 V		LED BLUE 5MM 3,5 V
0034.000		759551607200		LP-UHRENMODUL		CLOCKBOARD
0036.000	△	759551567100		LP-SAT MODUL SH-DVB-S2 (HYZ)		LP-SAT BOARD SH-DVB-S2 (HYZ)
0037.000		759551600600		FLACHBANDKABEL 22 PIN SAT-MODUL		CABLE FFC 22 PIN SAT-MODUL
0090.000		759551496200		KARTON		CARTON
0091.000		759551496900		POLSTER OBEN LINKS/RECHTS		CUSHION TOP LEFT/RIGHT
0092.000		759551497000		POLSTER BODEN LINKS/RECHTS		CUSHION BOTTOM LEFT/RIGHT
				DIE BEDIENUNGSANLEITUNG KOENNEN SIE IM INTERNET UNTER FOLGENDER ADRESSE ABRUFEN: WWW.GRUNDIG.DE MENU: DOWNLOADS		THE INSTRUCTION MANUAL CAN BE DOWNLOADED FROM THE INTERNET UNDER THE FOLLOWING ADDRESS: WWW.GRUNDIG.DE MENU: DOWNLOADS
		720100555000		SERVICE MANUAL D/GB		SERVICE MANUAL D/GB
		720100555100		SERVICE MANUAL D/GB 1. ERGAENZUNG		SERVICE MANUAL D/GB 1ST SUPPLEMENT
		720108000001		SICHERHEITSMANUAL D/GB/E/F/I		SAFETY SERVICE MANUAL D/GB/E/F/I
				X = SIEHE GESONDERTE E-LISTE		X = SEE SEPARATE PARTS LIST

75

Es gelten die Vorschriften und Sicherheitshinweise gemäß dem Service Manual "Sicherheit", Mat.-Nummer 720108000001, sowie zusätzlich die eventuell abweichenden, landesspezifischen Vorschriften!



The regulations and safety instructions shall be valid as provided by the "Safety" Service Manual, part number 720108000001, as well as the respective national deviations.

ÄNDERUNGEN VORBEHALTEN / SUBJECT TO ALTERATION

Es gelten die Vorschriften und Sicherheitshinweise gemäß dem Service Manual "Sicherheit", Mat.-Nummer 720108000001, sowie zusätzlich die eventuell abweichenden, landesspezifischen Vorschriften!



The regulations and safety instructions shall be valid as provided by the "Safety" Service Manual, part number 720108000001, as well as the respective national deviations.

ÄNDERUNGEN VORBEHALTEN / SUBJECT TO ALTERATION

Ersatzteilliste
Spare Parts List

NUR FÜR INTERNEN GEBRAUCH
FOR INTERNAL USE ONLY



4 / 2011

HAMBURG 32 VLC 8140 S

BESTELL-NR. / ORDER NO.: GBJ8432 (JVR)

POS. NR. POS. NO.	ABB. FIG.	MATERIAL-NR. PART NUMBER	ANZ. QTY.	BEZEICHNUNG (D)	DESCRIPTION (GB)
		GBJ8432		HAMBURG 32 VLC 8140 S PRODUKTCODE JVR KEIN E-TEIL	HAMBURG 32 VLC 8140 S PRODUCT CODE JVR NO SPARE PART
				Hinweis: Sollte in dieser Ersatzteilliste Ihr "Product Code" oder Ihre Display-Variante nicht aufgeführt sein, finden Sie eine aktualisierte Version auf dem GRUNDIG Service-Portal " http://service.grundig.de ".	Note: If your "Product Code" or display variant is not mentioned in the spare parts list, please look for a current version at the GRUNDIG service portal " http://service.grundig.de ".
0001.000		759551521600		GEH.-VORDERTEIL SCHWARZ	FRONT CABINET BLACK
0002.000		759551600000		RUECKWAND SCHWARZ	BACK COVER BLACK
0003.000		759551588400		GEHAEUSELEISTE SILBER	COVER BAND SILVER
0005.000		759551572500		STANDFUSS SCHWARZ	STAND FOOT BLACK
0007.000		759551496800		KNOPF BEDIENUNG SCHWARZ	KNOB CONTROL BLACK
0015.000		759551437700		LAUTSPRECHER 8 OHM 15/22.5W	LOUDSPEAKER 8 OHM 15/22.5W
0018.000		759551491700		KABEL DISPLAY-LVDS 350MM	CABLE DISPLAY-LVDS 350MM
0019.000		759551512700		KABEL DISPLAY-LVDS 400MM	CABLE DISPLAY-LVDS 400MM
0020.000!		759551559100		LCD-DISPLAY LC320WUD-SCB1	LCD-DISPLAY LC320WUD-SCB1
0021.000		759551599700		INVERTERKABEL 300 MM	INVERTERCABLE 300 MM
0022.000!		759551350200		NETZKABEL 150 CM	POWER CABLE 150 CM
0023.000!		275990308100		LP-NETZTEILMODUL 24/8 FSP223-3	POWER SUPPLY BOARD 24/8 FSP22
0025.000!	X	275991137800		LP-CHASSISMODUL SX (JVR)	CHASSIS BOARD SX (JVR)
0027.000		720117144800		FERNBEDIENUNG TP3	REMOTE CONTROL TP3
0028.000		720117145300		FERNBEDIENUNG TP EASY SCHWARZ	REMOTE CONTROL TP EASY BLACK
0029.000		275990230500		LP-BEDIENMODUL TT 26T8 CB8	CONTROL BOARD TT 26T8 CB8
0030.000		759551057800		TASTSCHALTER	KEY SWITCH
0032.000		759551504200		IR-EMPPFAENGER TSOP38438	IR RECEIVER TSOP38438
0033.000		759551541500		LED BLAU 5MM 3,5 V	LED BLUE 5MM 3,5 V
0034.000		759551609300		LP-UHRENMODUL	CLOCKBOARD
0036.000!		759551567100		LP-SAT MODUL SH-DVB-S2 (HYZ)	LP-SAT BOARD SH-DVB-S2 (HYZ)
0090.000		759551517400		KARTON 32"	CARTON 32"
0091.000		759551517500		POLSTER OBEN	CUSHION TOP
0092.000		759551517600		POLSTER UNTEN	CUSHION BOTTOM
				DIE BEDIENUNGSANLEITUNG KOENNEN SIE IM INTERNET UNTER FOLGENDER ADRESSE ABRUFEN: WWW.GRUNDIG.DE MENU: DOWNLOADS	THE INSTRUCTION MANUAL CAN BE DOWNLOADED FROM THE INTERNET UNDER THE FOLLOWING ADDRESS: WWW.GRUNDIG.DE MENU: DOWNLOADS
		720100555000		SERVICE MANUAL D/GB	SERVICE MANUAL D/GB
		720108000001		SICHERHEITSMANUAL D/GB/E/F/I	SAFETY SERVICE MANUAL D/GB/E/F/I
				X = SIEHE GESONDERTE E-LISTE	X = SEE SEPARATE PARTS LIST

Es gelten die Vorschriften und Sicherheitshinweise gemäß dem Service Manual "Sicherheit", Mat.-Nummer 720108000001, sowie zusätzlich die eventuell abweichenden, landesspezifischen Vorschriften!



The regulations and safety instructions shall be valid as provided by the "Safety" Service Manual, part number 720108000001, as well as the respective national deviations.

ÄNDERUNGEN VORBEHALTEN / SUBJECT TO ALTERATION

Ersatzteilliste
Spare Parts List

NUR FÜR INTERNEN GEBRAUCH
FOR INTERNAL USE ONLY



4 / 2011

HAMBURG 37 VLC 8140 S

BESTELL-NR. / ORDER NO.: GBJ8137 (JWK)

POS. NR. POS. NO.	ABB. FIG.	MATERIAL-NR. PART NUMBER	ANZ. QTY.	BEZEICHNUNG (D)	DESCRIPTION (GB)
		GBJ8137		HAMBURG 37 VLC 8140 S PRODUKTCODE JWK KEIN E-TEIL	HAMBURG 37 VLC 8140 S PRODUCT CODE JWK NO SPARE PART
				Hinweis: Sollte in dieser Ersatzteilliste Ihr "Product Code" oder Ihre Display-Variante nicht aufgeführt sein, finden Sie eine aktualisierte Version auf dem GRUNDIG Service-Portal " http://service.grundig.de ".	Note: If your "Product Code" or display variant is not mentioned in the spare parts list, please look for a current version at the GRUNDIG service portal " http://service.grundig.de ".
0001.000		759551566300		GEH.- VORDERTEIL SCHWARZ	FRONT CABINET BLACK
0002.000		759551566400		RUECKWAND SCHWARZ	BACK COVER BLACK
0005.000		759551539800		STANDFUSS SCHWARZ	STAND FOOT BLACK
0006.000		759551572700		STAND FUSS ZWISCHENSTUECK	STAND FOOT MIDDLEPART
0007.000		759551496800		KNOPF BEDIENUNG SCHWARZ	KNOB CONTROL BLACK
0015.000		759551401200		LAUTSPRECHER 10/15W 8 OHM	LOUDSPEAKER 10/15W 8 OHM
0016.000		759550975700		HOCHTONLAUTSPRECHER 10 OHM	TWEETER 10 OHM / 10 W
0018.000		759551417200		KABEL LVDS 400MM	CABLE LVDS 400MM
0019.000		759551491700		KABEL DISPLAY-LVDS 350MM	CABLE DISPLAY-LVDS 350MM
0020.000		759551566500		LCD-DISPLAY LC370WUD-SCB1 T	LCD-DISPLAY LC370WUD-SCB1 T
0021.000		759551599900		INVERTERKABEL 450 MM	INVERTERCABLE 450 MM
0022.000	△	759551350200		NETZKABEL 150 CM	POWER CABLE 150 CM
0023.000	△	275990308800		LP-NETZTEILMODUL FSP361-3F01	POWER SUPPLY BOARD FSP361-3F01
0024.000	△	759550976400		NETZSCHALTER OHNE HALTER	POWER SWITCH WITHOUT HOLDER
0025.000	△	275991137200	X	LP-CHASSISMODUL SX (JVT)	CHASSIS BOARD SX (JVT)
0027.000		720117144800		FERNBEDIENUNG TP3	REMOTE CONTROL TP3
0028.000		720117145300		FERNBEDIENUNG TP EASY SCHWARZ	REMOTE CONTROL TP EASY BLACK
0030.000		759551558000		TASTSCHALTER	KEY SWITCH
0032.000		759551544900		IR-EMPPFAENGER TSOP35436TT	IR-RECEIVER TSOP35436TT
0033.000		759551549100		LED-SMD 1206 BLAU 250MCD 3.3V	LED-SMD 1206 BLUE 250MCD 3.3V
0036.000	△	759551567100		LP-SAT MODUL SH-DVB-S2 (HYZ)	LP-SAT BOARD SH-DVB-S2 (HYZ)
0090.000		759551563400		KARTON 37" VLC	CARTON 37" VLC
0091.000		759551573300		KARTON UNTERTEIL VLC	CARTON BOTTOM VLC
0092.000		759551563500		POLSTER OBEN	CUSHION TOP
0093.000		759551563600		POLSTER UNTEN LINKS/RECHTS	CUSHION BOTTOM LEFT/RIGHT
				DIE BEDIENUNGSANLEITUNG KOENNEN SIE IM INTERNET UNTER FOLGENDER ADRESSE ABRUFEN: WWW.GRUNDIG.DE MENU: DOWNLOADS	THE INSTRUCTION MANUAL CAN BE DOWNLOADED FROM THE INTERNET UNDER THE FOLLOWING ADDRESS: WWW.GRUNDIG.DE MENU: DOWNLOADS
		720100555000		SERVICE MANUAL D/GB	SERVICE MANUAL D/GB
		720100555100		SERVICE MANUAL D/GB 1. ERGAENZUNG	SERVICE MANUAL D/GB 1ST SUPPLEMENT
		720108000001		SICHERHEITSMANUAL D/GB/E/F/I	SAFETY SERVICE MANUAL D/GB/E/F/I
				X = SIEHE GESONDERTE E-LISTE	X = SEE SEPARATE PARTS LIST

Es gelten die Vorschriften und Sicherheitshinweise gemäß dem Service Manual "Sicherheit", Mat.-Nummer 720108000001, sowie zusätzlich die eventuell abweichenden, landesspezifischen Vorschriften!



The regulations and safety instructions shall be valid as provided by the "Safety" Service Manual, part number 720108000001, as well as the respective national deviations.

ÄNDERUNGEN VORBEHALTEN / SUBJECT TO ALTERATION

Ersatzteilliste
Spare Parts List

NUR FÜR INTERNEN GEBRAUCH
FOR INTERNAL USE ONLY

TV

4 / 2011

NEW YORK 32 S DL

BESTELL-NR. / ORDER NO.: GBJ9132 (JJD)

POS. NR. POS. NO.	ABB. FIG.	MATERIAL-NR. PART NUMBER	ANZ. QTY.	BEZEICHNUNG (D)	DESCRIPTION (GB)
		GBJ9132		NEW YORK 32 S DL SILVER PRODUKTCODE JJD KEIN E-TEIL	NEW YORK 32 S DL SILVER PRODUCT CODE JJD NO SPARE PART
				Hinweis: Sollte in dieser Ersatzteilliste Ihr "Product Code" oder Ihre Display-Variante nicht aufgeführt sein, finden Sie eine aktualisierte Version auf dem GRUNDIG Service-Portal " http://service.grundig.de ".	Note: If your "Product Code" or display variant is not mentioned in the spare parts list, please look for a current version at the GRUNDIG service portal " http://service.grundig.de ".
0001.000		759551575000		GEH.- VORDERTEIL SILBER	FRONT CABINET SILVER
0002.000		759551575100		RUECKWAND SILBER	BACK COVER SILVER
0005.000		759551575300		SCHWENKFUSS SILBER	STAND SWIVEL SILVER
0007.000		759551550800		KNOPF PRG./ON-OFF SILBER	KNOB PRG./ON-OFF SILVER
0015.000		759551544700		LAUTSPRECHER KOMPLETT	SPEAKER COMPLETE
0018.000		759551566700		KABEL DISPLAY -LVDS 350 MM	CABLE DISPLAY -LVDS 350 MM
0019.000		759551566800		KABEL DISPLAY -LVDS 350 MM	CABLE DISPLAY -LVDS 350 MM
0020.000	△	759551566900		LCD-DISPLAY SS LTA320HF05-001	LCD-DISPLAY SS LTA320HF05-001
0021.000		759551599700		INVERTERKABEL 300 MM	INVERTERCABLE 300 MM
0022.000	△	759551529200		NETZKABEL 2000MM	CABLE POWER 2000MM
0023.000	△	275990310700		LP-NETZTEILMODUL 145W 32 SLIM	POWER BOARD 145W 32 SLIM PSU
0025.000	△	275991136900	X	LP-CHASSISMODUL SX (JHW)	CHASSIS BOARD SX (JHW)
0027.000		720117144800		FERNBEDIENUNG TP3	REMOTE CONTROL TP3
0028.000		720117145400		FERNBEDIENUNG TP EASY WEISS	REMOTE CONTROL TP EASY WHITE
0030.000		759551057800		TASTSCHALTER	KEY SWITCH
0032.000		759551504200		IR-EMPPFAENGER TSOP38438	IR RECEIVER TSOP38438
0033.000		759551541500		LED BLAU 5MM 3,5 V	LED BLUE 5MM 3,5 V
0036.000	△	759551567100		LP-SAT MODUL SH-DVB-S2 (HYZ)	LP-SAT BOARD SH-DVB-S2 (HYZ)
0090.000		759551573700		KARTON FINE ARTS 32"	KARTON FINE ARTS 32"
0091.000		759551573800		POLSTER OBEN LINKS	CUSHION TOP LEFT
0092.000		759551573900		POLSTER OBEN RECHTS	CUSHION TOP RIGHT
				DIE BEDIENUNGSANLEITUNG KOENNEN SIE IM INTERNET UNTER FOLGENDER ADRESSE ABRUFEN: WWW.GRUNDIG.DE MENU: DOWNLOADS	THE INSTRUCTION MANUAL CAN BE DOWNLOADED FROM THE INTERNET UNDER THE FOLLOWING ADDRESS: WWW.GRUNDIG.DE MENU: DOWNLOADS
		720100555000		SERVICE MANUAL D/GB	SERVICE MANUAL D/GB
		720100555100		SERVICE MANUAL D/GB 1. ERGAENZUNG	SERVICE MANUAL D/GB 1ST SUPPLEMENT
		720108000001		SICHERHEITSMANUAL D/GB/E/F/I	SAFETY SERVICE MANUAL D/GB/E/F/I
				X = SIEHE GESONDERTE E-LISTE	X = SEE SEPARATE PARTS LIST

77

Es gelten die Vorschriften und Sicherheitshinweise gemäß dem Service Manual "Sicherheit", Mat.-Nummer 720108000001, sowie zusätzlich die eventuell abweichenden, landesspezifischen Vorschriften!



The regulations and safety instructions shall be valid as provided by the "Safety" Service Manual, part number 720108000001, as well as the respective national deviations.

ÄNDERUNGEN VORBEHALTEN / SUBJECT TO ALTERATION

Ersatzteilliste
Spare Parts List

NUR FÜR INTERNEN GEBRAUCH
FOR INTERNAL USE ONLY

TV

2 / 2011

ROM 32 VLE 8162 S DL

BESTELL-NR. / ORDER NO.: GBJ9232 (JHR)

POS. NR. POS. NO.	ABB. FIG.	MATERIAL-NR. PART NUMBER	ANZ. QTY.	BEZEICHNUNG (D)	DESCRIPTION (GB)
		GBJ9232		ROM 32 VLE 8162 S DL BLACK PRODUKTCODE JHR KEIN E-TEIL	ROM 32 VLE 8162 S DL BLACK PRODUCT CODE JHR NO SPARE PART
				Hinweis: Sollte in dieser Ersatzteilliste Ihr "Product Code" oder Ihre Display-Variante nicht aufgeführt sein, finden Sie eine aktualisierte Version auf dem GRUNDIG Service-Portal " http://service.grundig.de ".	Note: If your "Product Code" or display variant is not mentioned in the spare parts list, please look for a current version at the GRUNDIG service portal " http://service.grundig.de ".
0001.000		759551571400		GEH.- VORDERTEIL SCHWARZ	FRONT CABINET BLACK
0002.000		759551583000		RUECKWAND SCHWARZ	BACK COVER BLACK
0005.000		759551549700		STANDFUSS SCHWARZ	STAND FOOT BLACK
0006.000		759551574100		STANDFUSS ZWISCHENSTUECK	STAND FOOT MIDDLEPART
0007.000		759551544600		KNOPF PROG./VOL./STD-BY SCHWARZ	KNOB PROG./VOL./STD-BY SCHWARZ
0015.000		759551544700		LAUTSPRECHER KOMPLETT	SPEAKER COMPLETE
0018.000		759551566700		KABEL DISPLAY -LVDS 350 MM	CABLE DISPLAY -LVDS 350 MM
0019.000		759551566800		KABEL DISPLAY -LVDS 350 MM	CABLE DISPLAY -LVDS 350 MM
0020.000	△	759551566900		LCD-DISPLAY SS LTA320HF05-001	LCD-DISPLAY SS LTA320HF05-001
0022.000	△	759551343100		NETZKABEL 180CM	POWER CABLE 180CM
0023.000	△	275990310700		LP-NETZTEILMODUL 145W 32 SLIM	POWER BOARD 145W 32 SLIM PSU
0025.000	△	275991132300	X	LP-CHASSISMODUL SX (JHR)	CHASSIS BOARD SX (JHR)
0027.000		720117144800		FERNBEDIENUNG TP3	REMOTE CONTROL TP3
0028.000		720117145400		FERNBEDIENUNG TP EASY SCHWARZ	REMOTE CONTROL TP EASY BLACK
0030.000		759551057800		TASTSCHALTER	KEY SWITCH
0032.000		759551504200		IR-EMPPFAENGER TSOP38438	IR RECEIVER TSOP38438
0033.000		759551541500		LED BLAU 5MM 3,5 V	LED BLUE 5MM 3,5 V
0036.000		759551567100		LP-SAT MODUL SH-DVB-S2 (HYZ)	LP-SAT BOARD SH-DVB-S2 (HYZ)
0090.000		759551545500		KARTON LED 40"	KARTON LED 40"
0091.000		759551545100		POLSTER OBEN LINKS	CUSHION TOP LEFT
0092.000		759551545200		POLSTER OBEN RECHTS	CUSHION TOP RIGHT
0093.000		759551545300		POLSTER UNTEN LINKS	CUSHION BOTTOM LEFT
0094.000		759551545400		POLSTER UNTEN RECHTS	CUSHION BOTTOM RIGHT
0095.000		759551562800		POLSTER MITTELSTUECK	CUSHION MIDDLE
				DIE BEDIENUNGSANLEITUNG KOENNEN SIE IM INTERNET UNTER FOLGENDER ADRESSE ABRUFEN: WWW.GRUNDIG.DE MENU: DOWNLOADS	THE INSTRUCTION MANUAL CAN BE DOWNLOADED FROM THE INTERNET UNDER THE FOLLOWING ADDRESS: WWW.GRUNDIG.DE MENU: DOWNLOADS
		720100555000		SERVICE MANUAL D/GB	SERVICE MANUAL D/GB
		720100555100		SERVICE MANUAL D/GB 1. ERGAENZUNG	SERVICE MANUAL D/GB 1ST SUPPLEMENT
		720108000001		SICHERHEITSMANUAL D/GB/E/F/I	SAFETY SERVICE MANUAL D/GB/E/F/I
				X = SIEHE GESONDERTE E-LISTE	X = SEE SEPARATE PARTS LIST

Es gelten die Vorschriften und Sicherheitshinweise gemäß dem Service Manual "Sicherheit", Mat.-Nummer 720108000001, sowie zusätzlich die eventuell abweichenden, landesspezifischen Vorschriften!



The regulations and safety instructions shall be valid as provided by the "Safety" Service Manual, part number 720108000001, as well as the respective national deviations.

ÄNDERUNGEN VORBEHALTEN / SUBJECT TO ALTERATION

Ersatzteilliste
Spare Parts List

NUR FÜR INTERNEN GEBRAUCH
FOR INTERNAL USE ONLY

TV

4 / 2011

ROM 40 VLE 8162 S DL

POS. NR. POS. NO.	ABB. FIG.	MATERIAL-NR. PART NUMBER	ANZ. QTY.	BEZEICHNUNG (D)	BESTELL-NR. / ORDER NO.: GBJ9440 (JHS)	DESCRIPTION (GB)			
		GBJ9440		ROM 40 VLE 8162 S DL BLACK PRODUKTCODE JHS KEIN E-TEIL	ROM 40 VLE 8162 S DL BLACK PRODUCT CODE JHS NO SPARE PART				
				Hinweis: Sollte in dieser Ersatzteilliste Ihr "Product Code" oder Ihre Display-Variante nicht aufgeführt sein, finden Sie eine aktualisierte Version auf dem GRUNDIG Service-Portal " http://service.grundig.de ".	Note: If your "Product Code" or display variant is not mentioned in the spare parts list, please look for a current version at the GRUNDIG service portal " http://service.grundig.de ".				
0001.000		759551558300		GEH.- VORDERTEIL SCHWARZ	FRONT CABINET BLACK	0001.000	759551558300	GEH.- VORDERTEIL SCHWARZ	FRONT CABINET BLACK
0002.000		759551589500		RUECKWAND SCHWARZ	BACK COVER BLACK	0002.000	759551589500	RUECKWAND SCHWARZ	BACK COVER BLACK
0005.000		759551558500		STANDFUSS SCHWARZ	STANDFOOT BLACK	0005.000	759551558500	STANDFUSS SCHWARZ	STANDFOOT BLACK
0006.000		759551574100		STANDFUSS ZWISCHENSTUECK	STAND FOOT MIDDLEPART	0006.000	759551574100	STANDFUSS ZWISCHENSTUECK	STAND FOOT MIDDLEPART
0007.000		759551544600		KNOPF PROG./VOL./STD-BY SCHWARZ	KNOB PROG./VOL./STD-BY SCHWARZ	0007.000	759551544600	KNOPF PROG./VOL./STD-BY SCHWARZ	KNOB PROG./VOL./STD-BY SCHWARZ
0015.000		759551556900		LAUTSPRECHER KOMPLETT	LOUDSPEAKER ASSY	0015.000	759551556900	LAUTSPRECHER KOMPLETT	LOUDSPEAKER ASSY
0018.000		759551516900		KABEL DISPLAY-LVDS 500MM	CABLE DISPLAY-LVDS 500MM	0018.000	759551516900	KABEL DISPLAY-LVDS 500MM	CABLE DISPLAY-LVDS 500MM
0019.000		759551550100		LVDS-KABEL 41 PIN 40 LED PANEL	LVDS-CABLE 41 PIN 40 LED PANEL	0019.000	759551550100	LVDS-KABEL 41 PIN 40 LED PANEL	LVDS-CABLE 41 PIN 40 LED PANEL
0020.000	△	759551557000		LCD-DISPLAY LTA400HF16-C01*1	LCD-DISPLAY LTA400HF16-C01*1	0020.000	△	759551557000	LCD-DISPLAY LTA400HF16-E01*1
0020.000	△	759551587800		LCD-DISPLAY LTA400HF16-E01*2	LCD-DISPLAY LTA400HF16-E01*2	0020.000	△	759551587800	LCD-DISPLAY LTA400HF16-C03*2
0021.000		759551599600		INVERTERKABEL 400 MM	INVERTERCABLE 400 MM	0021.000	△	759551343100	NETZKABEL 180CM
0022.000	△	759551343100		NETZKABEL 180CM	POWER CABLE 180CM	0022.000	△	275990311200	LP-NETZTEILMODUL 175W 40-46 SL
0023.000	△	275990311200		LP-NETZTEILMODUL 175W 40-46 SL	POWER BOARD 175W 40-46 SLIM PS	0023.000	△	275991133700	CHASSIS BOARD SX (JHS)*1
0025.000	△	275991137100	X	LP-CHASSISMODUL SX (JHS)*1	CHASSIS BOARD SX (JHS)*1	0025.000	△	275991136400	LP-CHASSISMODUL SX (JJV)*2
0025.000	△	275991133700	X	LP-CHASSISMODUL SX (JSK)*2	CHASSIS BOARD SX (JSK)*2	0025.000	△	720117144800	FERNBEDIENUNG TP3
0027.000		720117144800		FERNBEDIENUNG TP3	REMOTE CONTROL TP3	0027.000		720117145300	FERNBEDIENUNG TP EASY SCHWARZ
0028.000		720117145300		FERNBEDIENUNG TP EASY SCHWARZ	REMOTE CONTROL TP EASY BLACK	0028.000		759551057800	KEY SWITCH
0030.000		759551057800		TASTSCHALTER	KEY SWITCH	0030.000		759551504200	IR-EMPPFAENGER TSOP38438
0032.000		759551504200		IR-EMPPFAENGER TSOP38438	IR RECEIVER TSOP38438	0032.000		759551541500	LED BLAU 5MM 3,5 V
0033.000	△	759551541500		LED BLAU 5MM 3,5 V	LED BLUE 5MM 3,5 V	0033.000	△	759551583800	LP-SAT MODUL SH-DVB-S2 (VKK)
0036.000		759551583800		LP-SAT MODUL SH-DVB-S2 (VKK)	LP-SAT BOARD SH-DVB-S2 (VKK)	0036.000		759551551100	CABLE FFC 22PIN SAT-MODUL*2
0037.000		759551600600		FLACHBANDKABEL 22PIN SAT-MODUL*2	CABLE FFC 22PIN SAT-MODUL*2	0037.000		759551551000	KARTON 40"
0090.000		759551529300		KARTON 40"	CARTON 40"	0090.000		759551557200	KARTON UNTERTEIL
0091.000		759551551000		KARTON UNTERTEIL	CARTON DOWNPART	0091.000		759551557200	POLSTER OBEN
0092.000		759551557200		POLSTER OBEN	CUSHION TOP	0092.000		759551557300	POLSTER UNTEN
0093.000		759551557300		POLSTER UNTEN	CUSHION BOTTOM	0093.000			
				DIE BEDIENUNGSANLEITUNG KOENNEN SIE IM INTERNET UNTER FOLGENDER ADRESSE ABRUFEN: WWW.GRUNDIG.DE MENU: DOWNLOADS	THE INSTRUCTION MANUAL CAN BE DOWNLOADED FROM THE INTERNET UNDER THE FOLLOWING ADDRESS: WWW.GRUNDIG.DE MENU: DOWNLOADS				
		720100555000		SERVICE MANUAL D/GB	SERVICE MANUAL D/GB			720100555100	SERVICE MANUAL D/GB 1. ERGAENZUNG
		720100555100		SERVICE MANUAL D/GB 1. ERGAENZUNG	SERVICE MANUAL D/GB 1ST SUPPLEMENT			720108000001	SICHERHEITSMANUAL D/GB/E/F/I
		720108000001		SICHERHEITSMANUAL D/GB/E/F/I	SAFETY SERVICE MANUAL D/GB/E/F/I				
				X = SIEHE GESONDERTE E-LISTE	X = SEE SEPARATE PARTS LIST				

78

Es gelten die Vorschriften und Sicherheitshinweise gemäß dem Service Manual "Sicherheit", Mat.-Nummer 720108000001, sowie zusätzlich die eventuell abweichenden, landesspezifischen Vorschriften!



The regulations and safety instructions shall be valid as provided by the "Safety" Service Manual, part number 720108000001, as well as the respective national deviations.

ÄNDERUNGEN VORBEHALTEN / SUBJECT TO ALTERATION

Ersatzteilliste
Spare Parts List

NUR FÜR INTERNEN GEBRAUCH
FOR INTERNAL USE ONLY

TV

4 / 2011

ROM 40 VLE 8163 S DL

POS. NR. POS. NO.	ABB. FIG.	MATERIAL-NR. PART NUMBER	ANZ. QTY.	BEZEICHNUNG (D)	BESTELL-NR. / ORDER NO.: GBJ9340 (JQM)	DESCRIPTION (GB)			
		GBJ9340		ROM 40 VLE 8163 S DL BLACK PRODUKTCODE JQM KEIN E-TEIL	ROM 40 VLE 8163 S DL BLACK PRODUCT CODE JQM NO SPARE PART				
				Hinweis: Sollte in dieser Ersatzteilliste Ihr "Product Code" oder Ihre Display-Variante nicht aufgeführt sein, finden Sie eine aktualisierte Version auf dem GRUNDIG Service-Portal " http://service.grundig.de ".	Note: If your "Product Code" or display variant is not mentioned in the spare parts list, please look for a current version at the GRUNDIG service portal " http://service.grundig.de ".				
0001.000		759551558300		GEH.- VORDERTEIL SCHWARZ	FRONT CABINET BLACK	0001.000	759551558300	GEH.- VORDERTEIL SCHWARZ	FRONT CABINET BLACK
0002.000		759551589500		RUECKWAND SCHWARZ	BACK COVER BLACK	0002.000	759551589500	RUECKWAND SCHWARZ	BACK COVER BLACK
0005.000		759551558500		STANDFUSS SCHWARZ	STANDFOOT BLACK	0005.000	759551558500	STANDFUSS SCHWARZ	STANDFOOT BLACK
0006.000		759551574100		STANDFUSS ZWISCHENSTUECK	STAND FOOT MIDDLEPART	0006.000	759551574100	STANDFUSS ZWISCHENSTUECK	STAND FOOT MIDDLEPART
0007.000		759551544600		KNOPF PROG./VOL./STD-BY SCHWARZ	KNOB PROG./VOL./STD-BY SCHWARZ	0007.000	759551544600	KNOPF PROG./VOL./STD-BY SCHWARZ	KNOB PROG./VOL./STD-BY SCHWARZ
0015.000		759551556900		LAUTSPRECHER KOMPLETT	LOUDSPEAKER ASSY	0015.000	759551556900	LAUTSPRECHER KOMPLETT	LOUDSPEAKER ASSY
0018.000		759551516900		KABEL DISPLAY-LVDS 500MM	CABLE DISPLAY-LVDS 500MM	0018.000	759551516900	KABEL DISPLAY-LVDS 500MM	CABLE DISPLAY-LVDS 500MM
0019.000		759551550100		LVDS-KABEL 41 PIN 40 LED PANEL	LVDS-CABLE 41 PIN 40 LED PANEL	0019.000	759551550100	LVDS-KABEL 41 PIN 40 LED PANEL	LVDS-CABLE 41 PIN 40 LED PANEL
0020.000	△	759551557800		LCD-DISPLAY LTA400HF16-E01*1	LCD-DISPLAY LTA400HF16-E01*1	0020.000	△	759551558700	LCD-DISPLAY LTA400HF16-E01*1
0020.000	△	759551558700		LCD-DISPLAY LTA400HF16-E01*2	LCD-DISPLAY LTA400HF16-E01*2	0020.000	△	759551558700	LCD-DISPLAY LTA400HF16-E01*2
0022.000	△	759551343100		INVERTERKABEL 400 MM	INVERTERCABLE 400 MM	0022.000	△	759551343100	NETZKABEL 180CM
0022.000	△	275990311200		NETZKABEL 180CM	POWER CABLE 180CM	0022.000	△	275990311200	LP-NETZTEILMODUL 175W 40-46 SL
0025.000	△	275991133700	X	LP-CHASSISMODUL SX (JSK)*1	CHASSIS BOARD SX (JSK)*1	0025.000	△	275991133700	LP-CHASSISMODUL SX (JHS)*1
0025.000	△	275991136400	X	LP-CHASSISMODUL SX (JJV)*2	CHASSIS BOARD SX (JJV)*2	0025.000	△	275991136400	LP-CHASSISMODUL SX (JJV)*2
0027.000		720117144800		FERNBEDIENUNG TP3	REMOTE CONTROL TP3	0027.000		720117144800	FERNBEDIENUNG TP3
0028.000		720117145300		FERNBEDIENUNG TP EASY SCHWARZ	REMOTE CONTROL TP EASY BLACK	0028.000		720117145300	FERNBEDIENUNG TP EASY SCHWARZ
0030.000		759551057800		TASTSCHALTER	KEY SWITCH	0030.000		759551057800	TASTSCHALTER
0032.000		759551504200		IR-EMPPFAENGER TSOP38438	IR RECEIVER TSOP38438	0032.000		759551504200	IR-EMPPFAENGER TSOP38438
0033.000		759551541500		LED BLAU 5MM 3,5 V	LED BLUE 5MM 3,5 V	0033.000		759551541500	LED BLAU 5MM 3,5 V
0036.000	△	759551583800		LP-SAT MODUL SH-DVB-S2 (VKK)	LP-SAT BOARD SH-DVB-S2 (VKK)	0036.000	△	759551583800	LP-SAT MODUL SH-DVB-S2 (VKK)
0090.000		759551551100		CABLE FFC 22PIN SAT-MODUL*2	CABLE FFC 22PIN SAT-MODUL*2	0090.000		759551551100	KARTON 40"
0091.000		759551551000		KARTON 40"	CARTON 40"	0091.000		759551551000	KARTON UNTERTEIL
0092.000		759551557200		KARTON UNTERTEIL	CARTON DOWNPART	0092.000		759551557200	POLSTER OBEN
0093.000		759551557300		POLSTER OBEN	CUSHION TOP	0093.000		759551557300	POLSTER UNTEN
				DIE BEDIENUNGSANLEITUNG KOENNEN SIE IM INTERNET UNTER FOLGENDER ADRESSE ABRUFEN: WWW.GRUNDIG.DE MENU: DOWNLOADS	THE INSTRUCTION MANUAL CAN BE DOWNLOADED FROM THE INTERNET UNDER THE FOLLOWING ADDRESS: WWW.GRUNDIG.DE MENU: DOWNLOADS				
		720100555000		SERVICE MANUAL D/GB	SERVICE MANUAL D/GB			720100555100	SERVICE MANUAL D/GB 1. ERGAENZUNG
		720100555100		SERVICE MANUAL D/GB 1. ERGAENZUNG	SERVICE MANUAL D/GB 1ST SUPPLEMENT			720108000001	SICHERHEITSMANUAL D/GB/E/F/I
		720108000001		SICHERHEITSMANUAL D/GB/E/F/I	SAFETY SERVICE MANUAL D/GB/E/F/I				
				X = SIEHE GESONDERTE E-LISTE	X = SEE SEPARATE PARTS LIST				

Es gelten die Vorschriften und Sicherheitshinweise gemäß dem Service Manual "Sicherheit", Mat.-Nummer 720108000001, sowie zusätzlich die eventuell abweichenden, landesspezifischen Vorschriften!



The regulations and safety instructions shall be valid as provided by the "Safety" Service Manual, part number 720108000001, as well as the respective national deviations.

ÄNDERUNGEN VORBEHALTEN / SUBJECT TO ALTERATION

