

# TV

# GRUNDIG

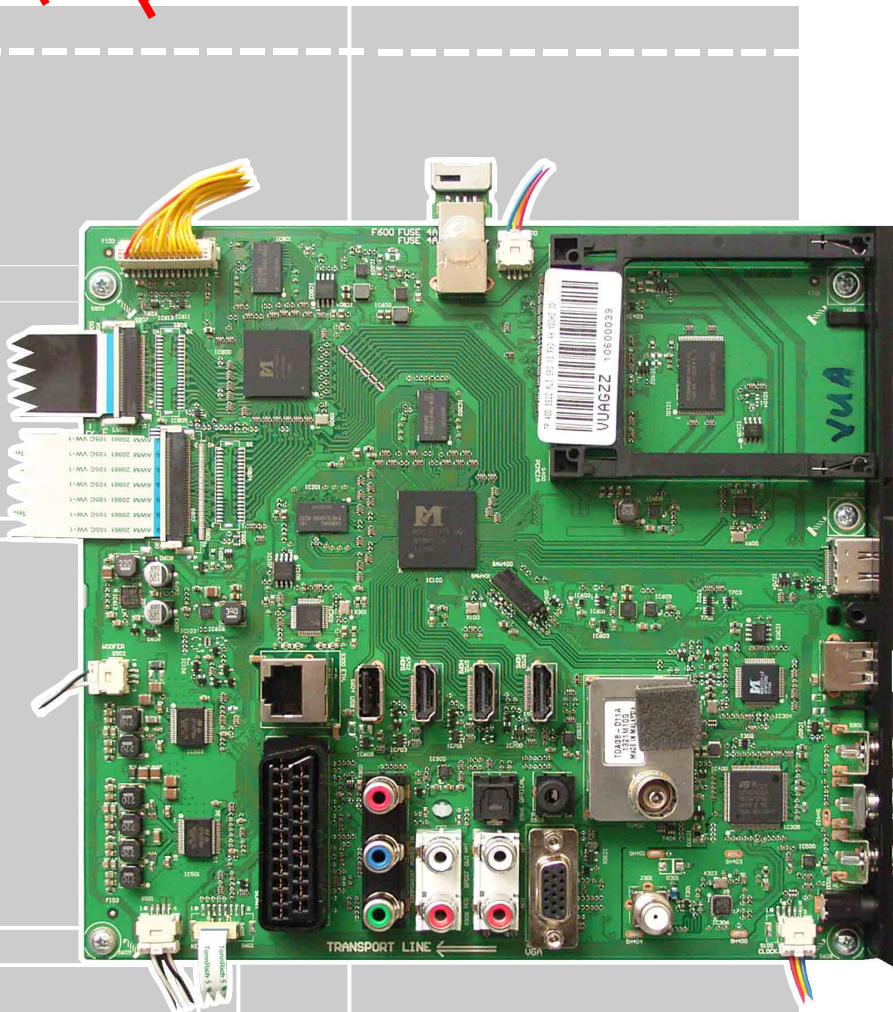
**NUR FÜR INTERNEN GEBRAUCH  
FOR INTERNAL USE ONLY**

## Service Manual

3. Ergänzung / Supplement 3

### Chassis TP

<b>46 VLE 630 BH</b>	LQF000, LYC000
<b>46 VLE 830 BL</b>	LQG000
<b>46 VLE 880 BL</b>	NEJ000
<b>46 VLE 7230 BH</b>	LDJ000
<b>46 VLE 7230 BR</b>	LRC000
<b>46 VLE 7230 WR</b>	LRD000
<b>46 VLE 7239 BR</b>	LLW000
<b>46 VLE 7239 WR</b>	LRB000
<b>46 VLE 7339 BR</b>	NQZ000
<b>46 VLE 8003 BL</b>	MDB000
<b>46 VLE 8009 BL</b>	NDZ000
<b>46 VLE 8160 WL</b>	GBJ1946, KQS000
<b>46 VLE 8221 BL</b>	LEL000
<b>46 VLE 8270 BH</b>	KSBO00, KSU000
<b>46 VLE 8270 BP</b>	KSJ000
<b>46 VLE 8270 CP</b>	KSM000
<b>46 VLE 8270 WP</b>	KSQ000
<b>55 VLE 9270 BH</b>	KXS000, KWW000
<b>55 VLE 9270 BL</b>	LCL000
<b>55 VLE 9270 SL</b>	KYF000
<b>55 VLE 9270 WL</b>	LCM000
<b>55 VLE 9271 BL</b>	LET000
<b>55 VLE 9275 BP</b>	LEZ000
<b>55 VLE 9275 WP</b>	LFC000
<b>55 VLE 9279 BP</b>	KWA000
<b>55 VLE 9279 WP</b>	LCB000
<b>Fine Arts</b>	
<b>46 FLE 9170 SH</b>	KKG000
<b>55 FLE 9170 SH</b>	KKH000
<b>Rom</b>	
<b>46 CLE 8235 BL</b>	LEJ000
<b>46 CLE 8270 BP</b>	KSE000
<b>Sydney</b>	
<b>55 CLE 9275 BL</b>	LCS000
<b>55 CLE 9275 SL</b>	LCU000



Zusätzlich erforderliche Unterlagen für den Komplettservice  
Additionally required Service Documents for the Complete Service

<b>Service Manual</b>  Sicherheit Safety  Materialnr./Part No. 72010800001	<b>Service Manual</b>  Chassis TP  Materialnr./Part No. 720100558000
--	--

Materialnummer / Part Number 720100558300

Änderungen vorbehalten / Subject to alteration

TCC 0814, 1213, 0613, 0413, 0313, 0213 MP • Prepared in Germany

<http://www.grundig.com>

Es gelten die Vorschriften und Sicherheitshinweise gemäß dem Service Manual "Sicherheit", Materialnummer 720108000001, sowie zusätzlich die eventuell abweichenden, landesspezifischen Vorschriften!



The regulations and safety instructions shall be valid as provided by the "Safety" Service Manual, part number 720108000001, as well as the respective national deviations.

## Inhaltsverzeichnis

	Seite
<b>Allgemeiner Teil</b> .....	<b>2...26</b>
Einführung .....	2
Technische Daten .....	3
Service- und Sonderfunktionen .....	23
<b>Platinenabbildungen und Schaltpläne</b> .....	<b>27...58</b>
Chassisplatte VSF190R-6 .....	27
– Blockschaltplan .....	35
– Netzteil .....	36
– USB .....	37
– LAN .....	37
– HDMI .....	38
– SCART, VGA, CV, YUV .....	39
– Tuner .....	40
– DVB-T2 .....	41
– PCMCIA-Interface .....	41
– DVB-S .....	42
– Scaler .....	43
– Scaler-RAM .....	45
– FRC .....	46
– FRC-RAM .....	47
– LVDS .....	47
– Verstärker .....	48
Netzteil DPS-174BP .....	49
Netzteil DPS-219GP .....	52
Netzteil DPS-243AP .....	55
IR-/LED-Platte .....	58
<b>Ersatzteillisten</b> .....	<b>59...79</b>

## Table of Contents

	Page
<b>General Section</b> .....	<b>2...26</b>
Introduction .....	2
Technical Data .....	3
Service and Special Functions .....	23
<b>Layout of the PCBs and Circuit Diagrams</b> .....	<b>27...58</b>
Chassis Board VSF190R-6 .....	27
– Block Circuit Diagram .....	35
– Power Supply .....	36
– USB .....	37
– LAN .....	37
– HDMI .....	38
– SCART, VGA, CV, YUV .....	39
– Tuner .....	40
– DVB-T2 .....	41
– PCMCIA Interface .....	41
– DVB-S .....	42
– Scaler .....	43
– Scaler-RAM .....	45
– FRC .....	46
– FRC-RAM .....	47
– LVDS .....	47
– Amplifier .....	48
Power Supply DPS-174BP .....	49
Power Supply DPS-219GP .....	52
Power Supply DPS-243AP .....	55
IR / LED Board .....	58
<b>Spare Parts Lists</b> .....	<b>59...79</b>

## Allgemeiner Teil

### Einführung

In dieser Service-Manual-Ergänzung sind weitere Gerätevarianten dokumentiert, die mit dem Chassis TP ausgestattet sind. Des Weiteren sind die Platinenabbildungen und Schaltpläne der geänderten Platinen abgebildet.

#### Hinweis:

Grundlage für den Service sind folgende Service Manuals:  
 – Service Manual Sicherheit, Materialnummer 720108000001  
 – Service Manual Chassis TP, Materialnr. 720100558000

## General Section

### Introduction

This Supplement of Service Manual describes variants of alternative devices embedded with chassis TP. The modified layouts and circuit diagrams of boards are included.

#### Note:

Basic instructions for servicing are given in following Service Manuals:  
 – Service Manual Safety, Part Number 720108000001  
 – Service Manual Chassis TP, Part Number 720100558000

## Technische Daten / Technical Data 46"

	46 VLE 630 BH	46 VLE 830 BL	46 VLE 880 BL	46 VLE 7230 BH
Order No.	LQF000 / LYC000	LQG000	NEJ000	LDJ000
Product Code	LQF / LYC	LQG	NEJ	LDJ
Destination	D, A	D, A	D, A	France-Italy-MEA
Approbations	CE	CE	CE	CE
IM-Languages	D,GB	D,GB	D,GB	D,GB,F,NL,S,P
IM-Languages 2				
Remote control	TP7	TP7	TP7	TP7
EAN	40 13833-63405 8 / -63562 8	40 13833-63406 5	40 13833-87379 2	40 13833-63162 0
Color	glossy black/glossy black	glossy black	glossy black	glossy black
<b>DISPLAY</b>				
Panel	46" / 117cm	46" / 117cm	46" / 117cm	46" / 117cm
Backlight	EDGE LED	EDGE LED	EDGE LED	EDGE LED
Wide-screen format	●	●	●	●
3D	○	○	○	○
Dynamic contrast	Dynamic Contrast Plus	Dynamic Contrast Plus	Dynamic Contrast Plus	Dynamic Contrast Plus
Picture Perfection rate	100Hz	100Hz	400Hz	400Hz
Physical display resolution max. pixel	WUXGA 1920 x 1080 (full HD)	WUXGA 1920 x 1080 (full HD)	WUXGA 1920 x 1080 (full HD)	WUXGA 1920 x 1080 (full HD)
<b>PICTURE</b>				
Motion Picture Improvement	●	○	○	●
Motion Adaptive Deinterlacing	3D Deinterlacer	3D Deinterlacer	3D Deinterlacer	3D Deinterlacer
Full HD	●	●	●	●
HD-TV 1080p	○	●	○	●
Line Flicker Reduction	●	●	●	●
Digital Color Transition Improv. (DCTI)	●	●	●	●
Digital Combfilter	3D	3D	3D	3D
Digital Luminance Transition Improv. (DLTI)	●	●	●	●
Picture Noise Reduction	●	●	●	●
Preset picture modes	user, vivid, natural, movie, sports	user, vivid, natural, movie, sports	user, vivid, natural, movie, sports	user, vivid, natural, movie, sports
Aspect ratios (Format switching)		Auto (WSS), 4:3 / 16:9 / 14:9 / LetterBox / Subtitle / Panorama		
PAT: Split screen (PICTURE + TEXT)	●	●	●	●
Picture freezing	●	●	●	●
Zoom with point function	●	●	●	●
Auto 16:9 selection via Scart	●	●	●	●
Sharpness control	●	●	●	●
Blue Background	●	●	●	●
<b>AUDIO</b>				
Mono/Stereo/Nicam	● / ● / ●	● / ● / ●	● / ● / ●	● / ● / ●
AV Stereo	●	●	●	●
Loudspeaker	2 wide band at the front side	2 wide band at the front side	2 wide band at the front side	2 wide band at the front side
SRS	TruSurround HD	TruSurround HD	TruSurround HD	TruSurround HD
Dolby digital	●	●	●	●
Subwoofer	○	○	○	○
Balance Adjustment	●	●	●	●
AVL (Audio Volume Level)	●	●	●	●
Equalizer	5 Band	5 Band	5 Band	5 Band
Space Sound Effect	●	●	●	●
Sound preset	natural, music, sport, speech, user	cinema, music, sport, speech, user	natural, music, sport, speech, user	cinema, music, sport, speech, user
Audio amplifier	2 x 10/20W nominal/music power (R/L)	2 x 10/20W nominal/music power (R/L)	2 x 10/20W nominal/music power (R/L)	2 x 10/20W nominal/music power (R/L)
<b>CHASSIS</b>				
TV-Chassis	TP	TP	TP	TP
Tuner	PLL frequency synthesizer tuning	PLL frequency synthesizer tuning	PLL frequency synthesizer tuning	PLL frequency synthesizer tuning
Scaler	Sapphire 13+	Sapphire 13+	Sapphire 13+	Sapphire 13+
Keyboard		7 keys: +/- Programm, Source / Menu, +/- Volume, stand-by		
<b>ELECTRONIC</b>				
DLNA	○	○	○	●
Stand by indicator	blue LED	blue LED	blue LED	blue LED
EPG (Electronic Programme Guide)	7 days via DVB-T, DVB-C	7 days via DVB-T, DVB-C, DVB-S2	7 days via DVB-T, DVB-C, DVB-S2	7 days via DVB-T, DVB-C
Manual & autom. labeling of prog.	●	●	●	●
Programmable off timer	●	●	●	●
Programmable on timer	●	●	●	●
Intelligent channel search (Zapping funct.)	●	●	●	●
Programme Edit	●	●	●	●
Programme memory TV/AV (opt.)	100 Analog / 1000 T / 1000 C / AV	100 Analog / 1000 T / 1000 C / 6000 S2 / AV	100 Analog / 1000 T / 1000 C / 6000 S2 / AV	100 Analog / 1000 T / 1000 C / AV
Teletext/Fasttext/Toptext	● / ● / ●	● / ● / ●	● / ● / ●	● / ● / ●
Teletext options	1000 pages	1000 pages	1000 pages	1000 pages
Childlock	●	●	●	●
Menu languages OSD		24 languages, D, GB, F, I, E, P, NL, DK, S, FIN, N, TR, GR, PL, CZ, SK, SLO, H, RUS, RO, BG, HR, LT, EE		
OSD-style	OEM-style with Grundig look	OEM-style with Grundig look	OEM-style with Grundig look	OEM-style with Grundig look
Service mode	●	●	●	●
Game mode		presets (user changeable) for sound and picture in HDMI-, Component- and PC-mode		
Hotel mode		Simple hotel mode possible via service adjustment		
Digi Link	●	●	●	●
Digi Link (HDMI CEC 1.3)	○	○	○	○
Special feature	○	○	○	○
<b>INTERNET APPLICATIONS</b>				
WLAN internal / external	○ / optional	○ / optional	○ / optional	● / ○
DLNA	●	●	●	●
Facebook	●	●	●	●
Twitter	●	●	●	●
Picasa	●	●	●	●
Flickr	●	●	●	●
Youtube	●	●	●	●
V-Tuner	○	○	○	○
funspot	●	●	●	●
tripadvisor	●	●	●	●
HRS	●	●	●	●
Aphoteken	●	●	●	●
Arzt suche	●	●	●	●
BonGusto	●	●	●	●
Laufen.de	●	●	●	●
Yogamour	●	●	●	●
Automotorsport	●	●	●	●
Reuters	○	○	○	○
Bild.de	●	●	●	●
Worldweatheronline	●	●	●	●
Goal 7/24	●	●	●	●
Acetrax	●	●	●	●
Viewster	●	●	●	●
Flixster	●	●	●	●
<b>TUNING</b>				
Autom. Tuning System with country select.	full automatic sorting	full automatic sorting	full automatic sorting	full automatic sorting
Frequency Based Auto Search	●	●	●	●
Automatic Micro-search	●	●	●	●
Manual fine tuning	●	●	●	●
Direct channel selection	●	●	●	●
Direct frequency selection		For cable tuning can be done by entering the frequency (MHz) in digital search menu		
PAL/SECAM/BG/DK/L/L/L	●	●	●	●
NTSC-Playback via Scart (3,58/4,43)	●	●	●	●
Cable TV / Hyperband (S1-S41)	●	●	●	●

	46 VLE 630 BH	46 VLE 830 BL	46 VLE 880 BL	46 VLE 7230 BH
DVB reception				
Fully compliant to	EN 300 744 & revised NorDig II spec (regarding DVB-T front end performance)			
Automatic/manual channel search	● / ● - ATS type sorting & LCN type sorting	● / ● - ATS type sorting & LCN type sorting	● / ● - ATS type sorting & LCN type sorting	● / ● - ATS type sorting & LCN type sorting
EPG (SI based)	●	●	●	●
7 Day Electronic Programme Guide	●	●	●	●
- 8 Day Electronic Programme Guide	○	○	○	○
- now/next	●	●	●	●
- scheduled	If broadcasted	If broadcasted	If broadcasted	If broadcasted
- Extended Event Info	If broadcasted	If broadcasted	If broadcasted	If broadcasted
- Short Event Info	If broadcasted	If broadcasted	If broadcasted	If broadcasted
TV/Radio programmes	1000	1000	1000	1000
OSD languages	Same as analogue languages	Same as analogue languages	Same as analogue languages	Same as analogue languages
Teletext VBI insertion	or decoding	or decoding	or decoding	or decoding
VPS - VBI insertion	PDC based	PDC based	PDC based	PDC based
Programme table	full automatic sorting	full automatic sorting	full automatic sorting	full automatic sorting
Factory station list	●	●	●	●
Common Interface	●	●	●	●
CI +	●	●	●	●
DVB-T2 Front end				
Input frequency range	○	○	○	○
Input level / Impedance	○	○	○	○
Modulation	○	○	○	○
FEC MODE	○	○	○	○
DVB-T Front end				
Input frequency (MHz) / Loop through	177 - 862 VHF & UHF / ○	177 - 862 VHF & UHF / ○	177 - 862 VHF & UHF / ○	177 - 862 VHF & UHF / ○
Input level / Impedance	-80 to 20/dBm / 75 Ohm	-80 to 20/dBm / 75 Ohm	-80 to 20/dBm / 75 Ohm	-80 to 20/dBm / 75 Ohm
Modulation	COFDM 2/8 QPSK 16/64 QAM	COFDM 2/8 QPSK 16/64 QAM	COFDM 2/8 QPSK 16/64 QAM	COFDM 2/8 QPSK 16/64 QAM
FEC	1/2, 2/3, 3/4, 5/6, 7/8	1/2, 2/3, 3/4, 5/6, 7/8	1/2, 2/3, 3/4, 5/6, 7/8	1/2, 2/3, 3/4, 5/6, 7/8
Activ antenna support	●	○	●	○
Hierarchical modulation	Hierarchical - non hierarchical	Hierarchical - non hierarchical	Hierarchical - non hierarchical	Hierarchical - non hierarchical
DVB-S2 Front end				
Input frequency range	○	950 MHz to 2150 MHz	950 MHz to 2150 MHz	○
Signal level	○	-25 to -80dBm (Only for DVB-S) -25 to -70dBm (Only for DVB-S2)	-25 to -80dBm (Only for DVB-S) -25 to -70dBm (Only for DVB-S2)	○
Demodulation	○	QPSK, 8PSK	QPSK, 8PSK	○
Input symbol rate	○	1 - 45 Msps for DVB-S 5 - 30 Msps for DVB-S2	1 - 45 Msps for DVB-S 5 - 30 Msps for DVB-S2	○
DiseqC 1.2 support	○	●	●	○
LNB power & Polarization	○	13/18V Selection / Vertical 22 KHz generation - Overload Protection	13/18V Selection / Vertical 22 KHz generation - Overload Protection	○
FEC MODE	○	Auto - QPSK-S: 1/2, 2/3, 3/4, 3/5, 4/5, 5/6, 8/9, 9/10 QPSK-S2: 1/2, 2/3, 3/4, 3/5, 4/5, 5/6, 8/9, 9/10 8PSK: 2/3, 3/4, 3/5, 5/6, 8/9, 9/10	Auto - QPSK-S: 1/2, 2/3, 3/4, 3/5, 4/5, 5/6, 8/9, 9/10 QPSK-S2: 1/2, 2/3, 3/4, 3/5, 4/5, 5/6, 8/9, 9/10 8PSK: 2/3, 3/4, 3/5, 5/6, 8/9, 9/10	○
DVB-C Front end				
Input frequency (MHz)	47 - 862 VHF & UHF	47 - 862 VHF & UHF	47 - 862 VHF & UHF	47 - 862 VHF & UHF
Input level / Impedance	47 - 70dbuV / 75 Ohm	47 - 70dbuV / 75 Ohm	47 - 70dbuV / 75 Ohm	47 - 70dbuV / 75 Ohm
Demodulation / Symbol rate Ms/s		QAM 16/32/64/128/256 demodulation support (EN 300 429) 4.0...7.2 Msymbols/s		
Video Decoder				
MPEG profiles		MP@ML, MP@HL, MPEG4 AVC H.264 HP@L4.0		
Resolution	576i, 576p, 720p, 1080i, 1080p	576i, 576p, 720p, 1080i, 1080p	576i, 576p, 720p, 1080i, 1080p	576i, 576p, 720p, 1080i, 1080p
OSD colors	Fitting to TV-OSD	Fitting to TV-OSD	Fitting to TV-OSD	Fitting to TV-OSD
Picture formats		Auto (WSS), 4:3 / 14:9 / 16:9 / Panorama / Letterbox / Subtitle		
Audio Decoder				
Profiles	MPEG 4 , MPEG 2 layer I & II	MPEG 4 , MPEG 2 layer I & II	MPEG 4 , MPEG 2 layer I & II	MPEG 4 , MPEG 2 layer I & II
AC 3 Output	SP/DIF	SP/DIF	SP/DIF	SP/DIF
Modes	Mono, Dual Mono, Stereo, Joint Stereo	Mono, Dual Mono, Stereo, Joint Stereo	Mono, Dual Mono, Stereo, Joint Stereo	Mono, Dual Mono, Stereo, Joint Stereo
Software				
Service information processing	Dynamic PMT	Dynamic PMT	Dynamic PMT	Dynamic PMT
DVB subtitles	●	●	●	●
Over air download (OTA)	DVB enhanced profile	DVB enhanced profile	DVB enhanced profile	DVB enhanced profile
Navigator	via menu	via menu	via menu	via menu
Last station memory	from stand-by, as TV	from stand-by, as TV	from stand-by, as TV	from stand-by, as TV
Favourite mode	4x free	4x free	4x free	4x free
Mute function	●	●	●	●
Swap function	●	●	●	●
USB part				
Recording	○	○	○	○
Divx + HD	●	●	●	●
Repeat	●	●	●	●
File browser	●	●	●	●
Video file resolution (max.)	1920 x 1080	1920 x 1080	1920 x 1080	1920 x 1080
Supported files	.m4a, .wma, .aac, .jpg, .jpe, .bmp, .png, .mov, .divx, .mpg, .mpe, .vob, .dat, .trp, .ts, .avi, .mp4, .mkv, .div	.m4a, .wma, .aac, .jpg, .jpe, .bmp, .png, .mov, .divx, .mpg, .mpe, .vob, .dat, .trp, .ts, .avi, .mp4, .mkv, .div	.m4a, .wma, .aac, .jpg, .jpe, .bmp, .png, .mov, .divx, .mpg, .mpe, .vob, .dat, .trp, .ts, .avi, .mp4, .mkv, .div	.mp3, .m4a, .aac, .jpg, .jpe, .bmp, .png, .mov, .mpg, .mpe, .vob, .dat, .trp, .ts, .avi, .mp4, .mkv, H264(L4.0)
Supported subtitles	SRT, SSA, ASS, SMI, Video SUB	SRT, SSA, ASS, SMI, Video SUB	SRT, SSA, ASS, SMI, Video SUB	SRT, SSA, ASS, SMI, Video SUB
POWER SUPPLY / CABINET				
Power voltage	230V, 50Hz; in accordance to IEC 65	230V, 50Hz; in accordance to IEC 65	230V, 50Hz; in accordance to IEC 65	230V, 50Hz; in accordance to IEC 65
Range of regulation	140V - 265V	140V - 265V	140V - 265V	140V - 265V
Integrated supply	●	●	●	●
Energy class	A	A	A	A
Power consumption	82W, 0,50W Standby, 120kWh annual on-mode energy consumption	82W, 0,50W Standby, 120kWh annual on-mode energy consumption	63W, 0,50W Standby, 92kWh annual on-mode energy consumption	82W, 0,50W Standby, 120kWh annual on-mode energy consumption
Cabinet (WxHxD, cm)	108,3x66,6x4,3cm	108,3x66,6x4,3cm	108,3x66,6x4,3cm	108,3x66,6x4,3cm
Cabinet with stand (WxHxD, cm)	108,3x71,5x24,4cm	108,3x71,5x24,4cm	108,3x71,5x24,4cm	108,3x71,5x24,4cm
Weight (netto)	ca. 20kg	ca. 20kg	ca. 20,0kg	ca. 20kg
REAR PANEL CONNECTIONS				
Euro-AV-socket AV1	Full wired via Euro AV	Full wired Hosiden	Full wired Hosiden	Full wired via Euro AV
S-Video				
Camera-AV	3x Cinch socket in	3x Cinch socket in	3x Cinch socket in	3x Cinch socket in
YUV input / progressive	Video-in: 3 x Cinch, Audio-in: 2 x Cinch	Video-in: 3 x Cinch, Audio-in: 2 x Cinch	Video-in: 3 x Cinch, Audio-in: 2 x Cinch	Video-in: 3 x Cinch, Audio-in: 2 x Cinch
LAN	●	○	○	●
PC-input	WXGA	WXGA	WXGA	WXGA
PC-Audio in	●	●	●	●
HDMI	4x	4x	4x	4x
HD ready including HDCP	via HDMI	via HDMI	via HDMI	via HDMI
Common Interface	1 slot	1 slot	1 slot	1 slot
Headphones	3.5mm jack	3.5mm jack	3.5mm jack	3.5mm jack
Digital Audio out optical (SPDIF)	●	●	●	●
Audio out	●	●	●	●
USB	2 x USB 2.0	2 x USB 2.0	2 x USB 2.0	2 x USB 2.0
Antenna for terrestrial reception		1 x Coaxial-socket for TV-tuner-in, according to DIN 45325		
Antenna for satellite reception	○	1 x F-connector	1 x F-connector	○
Power supply plug	●	●	●	●
SUPPLIED ACCESSORIES				
Wi-Fi Dongle	●	●	●	○
Remote control (incl. battery)	TP 7 black	TP 7 black	TP 7 black	TP 7 black
3D Glasses	○	○	○	○
Power cord	●	grounded	●	grounded
Instruction manual	●	●	●	●
Wall fixture	Prepared for VESA standard adaptor 400x400	Prepared for VESA standard adaptor 400x400	Prepared for VESA standard adaptor 400x400	Prepared for VESA standard adaptor 400x400
Stand	swivel type glass stand	swivel type glass stand	swivel type glass stand	swivel type glass stand
Cleaning tissue	●	●	●	●

Technische Daten / Technical Data 46"

	46 VLE 7230 BR	46 VLE 7230 WR	46 VLE 7239 BR	46 VLE 7239 WR
Order No.	LRD000/LFV000	LRD000/LFS000	LLW000	LRB000
Product Code	LRC/LFV	LRD/LFS	LLW	LRB
Destination	Russia - Nordic	Russia - Nordic	Nordic	Nordic
Approbations	CE	CE	CE	CE
IM-Languages	GB	GB	D,DK,N,S,FIN,HR	D,DK,N,S,FIN,HR
IM-Languages 2	RU	RU		
Remote control	TP7-YF1	TP7	TP7	TP7
EAN	40 13833-63428 7 / -63220 7	40 13833-63429 4 / -63221 4	40 13833-63322 8	40 13833-63427 0
Color	glossy black/glossy black	glossy white/glossy white	glossy black	glossy white
<b>DISPLAY</b>				
Panel	46" / 117cm	46" / 117cm	46" / 117cm	46" / 117cm
Backlight	EDGE LED	EDGE LED	EDGE LED	EDGE LED
Wide-screen format	●	●	●	●
3D	○	○	○	○
Dynamic contrast	Dynamic Contrast Plus	Dynamic Contrast Plus	Dynamic Contrast Plus	Dynamic Contrast Plus
Picture Perfection rate	400Hz	400Hz	400Hz	400Hz
Physical display resolution max. pixel	WUXGA 1920 x 1080 (full HD)	WUXGA 1920 x 1080 (full HD)	WUXGA 1920 x 1080 (full HD)	WUXGA 1920 x 1080 (full HD)
<b>PICTURE</b>				
Motion Picture Improvement	●	●	●	●
Motion Adaptive Deinterlacing	3D Deinterlacer	3D Deinterlacer	3D Deinterlacer	3D Deinterlacer
Full HD	●	●	●	●
HD-TV 1080p	●	●	●	●
Line Flicker Reduction	●	●	●	●
Digital Color Transition Improv. (DCTI)	●	●	●	●
Digital Combfilter	3D	3D	3D	3D
Digital Luminance Transition Improv. (DLTI)	●	●	●	●
Picture Noise Reduction	●	●	●	●
Preset picture modes	user, vivid, natural, movie, sports	user, vivid, natural, movie, sports	user, vivid, natural, movie, sports	user, vivid, natural, movie, sports
Aspect ratios (Format switching)		Auto (WSS), 4:3 / 16:9 / 14:9 / LetterBox / Subtitle / Panorama		
PAT: Split screen (PICTURE + TEXT)	●	●	●	●
Picture freezing	●	●	●	●
Zoom with point function	●	●	●	●
Auto 16:9 selection via Scart	●	●	●	●
Sharpness control	●	●	●	●
Blue Background	●	●	●	●
<b>AUDIO</b>				
Mono/Stereo/Nicam	● / ● / ●	● / ● / ●	● / ● / ●	● / ● / ●
AV Stereo	●	●	●	●
Loudspeaker	2 wide band at the front side	2 wide band at the front side	2 wide band at the front side	2 wide band at the front side
SRS	TruSurround HD	TruSurround HD	TruSurround HD	TruSurround HD
Dolby digital	●	●	●	●
Subwoofer	○	○	○	○
Balance Adjustment	●	●	●	●
AVL (Audio Volume Level)	●	●	●	●
Equalizer	5 Band	5 Band	5 Band	5 Band
Space Sound Effect	●	●	●	●
Sound preset	cinema, music, sport, speech, user	cinema, music, sport, speech, user	cinema, music, sport, speech, user	cinema, music, sport, speech, user
Audio amplifier	2 x 10/20W nominal/music power (R/L)	2 x 10/20W nominal/music power (R/L)	2 x 10/20W nominal/music power (R/L)	2 x 10/20W nominal/music power (R/L)
<b>CHASSIS</b>				
TV-Chassis	TP	TP	TP	TP
Tuner	PLL frequency synthesizer tuning	PLL frequency synthesizer tuning	PLL frequency synthesizer tuning	PLL frequency synthesizer tuning
Scaler	Sapphire 13+	Sapphire 13+	Sapphire 13+	Sapphire 13+
Keyboard		7 keys: +/- Programm, Source / Menu, +/- Volume, stand-by		
<b>ELECTRONIC</b>				
DLNA	●	●	●	●
Stand by indicator	blue LED	blue LED	blue LED	blue LED
EPG (Electronic Programme Guide)	7 days via DVB-T, DVB-T2, DVB-C	7 days via DVB-T, DVB-T2, DVB-C	7 days via DVB-T, DVB-T2, DVB-C	7 days via DVB-T, DVB-T2, DVB-C
Manual & autom. labeling of prog.	●	●	●	●
Programmable off timer	●	●	●	●
Programmable on timer	●	●	●	●
Intelligent channel search (Zapping funct.)	●	●	●	●
Programme Edit	●	●	●	●
Programme memory TV/AV (opt.)	100 Analog / 1000 T / 1000 T2 / 1000 C	100 Analog / 1000 T / 1000 T2 / 1000 C	100 Analog / 1000 T / 1000 T2 / 1000 C	100 Analog / 1000 T / 1000 T2 / 1000 C
Teletext/Fasttext/Toptext	● / ● / ●	● / ● / ●	● / ● / ●	● / ● / ●
Teletext options	1000 pages	1000 pages	1000 pages	1000 pages
Childlock	●	●	●	●
Menue languages OSD		24 languages, D, GB, F, I, E, P, NL, DK, S, FIN, N, TR, GR, PL, CZ, SK, SLO, H, RUS, RO, BG, HR, LT, EE		
OSD-style	OEM-style with Grundig look	OEM-style with Grundig look	OEM-style with Grundig look	OEM-style with Grundig look
Service mode	●	●	●	●
Game mode		presets (user changeable) for sound and picture in HDMI-, Component- and PC-mode		
Hotel mode		Simple hotel mode possible via service adjustment		
Digi Link	●	○	○	○
Digi Link (HDMI CEC 1.3)	○	○	○	○
Special feature	○	○	○	○
<b>INTERNET APPLICATIONS</b>				
WLAN internal / external	● / ○	● / ○	● / ○	● / ○
DLNA	●	●	●	●
Facebook	●	●	●	●
Twitter	●	●	●	●
Picasa	●	●	●	●
Flickr	●	●	●	●
Youtube	●	●	●	●
V-Tuner	○	○	○	○
funspot	●	●	●	●
tripadvisor	●	●	●	●
HRS	●	●	●	●
Aphoteken	●	●	●	●
Arzt suche	●	●	●	●
BonGusto	●	●	●	●
Laufen.de	●	●	●	●
Yogamour	●	●	●	●
Automotorsport	●	●	●	●
Reuters	○	○	○	○
Bild.de	●	●	●	●
Worldweatheronline	●	●	●	●
Goal 7/24	●	●	●	●
Acetrax	●	●	●	●
Viewster	●	●	●	●
Flixster	●	●	●	●
<b>TUNING</b>				
Autom. Tuning System with country select.	full automatic sorting	full automatic sorting	full automatic sorting	full automatic sorting
Frequency Based Auto Search	●	●	●	●
Automatic Micro-search	●	●	●	●
Manual fine tuning	●	●	●	●
Direct channel selection	●	●	●	●
Direct frequency selection		For cable tuning can be done by entering the frequency (MHz) in digital search menu		
PAL/SECAM/BG/DK/L/L/L	●	●	●	●
NTSC-Playback via Scart (3,58/4,43)	●	●	●	●
Cable TV / Hyperband (S1-S41)	●	●	●	●

	46 VLE 7230 BR	46 VLE 7230 WR	46 VLE 7239 BR	46 VLE 7239 WR
DVB reception				
Fully compliant to	EN 300 744 & revised NorDig II spec (regarding DVB-T front end performance)			
Automatic/manual channel search	● / ● - ATS type sorting & LCN type sorting	● / ● - ATS type sorting & LCN type sorting	● / ● - ATS type sorting & LCN type sorting	● / ● - ATS type sorting & LCN type sorting
EPG (SI based)	●	●	●	●
7 Day Electronic Programme Guide	●	●	●	●
- 8 Day Electronic Programme Guide	○	○	○	○
- now/next	●	●	●	●
- scheduled	If broadcasted	If broadcasted	If broadcasted	If broadcasted
- Extended Event Info	If broadcasted	If broadcasted	If broadcasted	If broadcasted
- Short Event Info	If broadcasted	If broadcasted	If broadcasted	If broadcasted
TV/Radio programmes	1000	1000	1000	1000
OSD languages	Same as analogue languages	Same as analogue languages	Same as analogue languages	Same as analogue languages
Teletext VBI insertion	or decoding	or decoding	or decoding	or decoding
VPS - VBI insertion	PDC based	PDC based	PDC based	PDC based
Programme table	full automatic sorting	full automatic sorting	full automatic sorting	full automatic sorting
Factory station list	●	●	●	●
Common Interface	●	●	●	●
CI +	●	●	●	●
DVB-T2 Front end				
Input frequency range	177 - 862 VHF & UHF	177 - 862 VHF & UHF	177 - 862 VHF & UHF	177 - 862 VHF & UHF
Input level / Impedance	-75 to -35dBm / 75Ohm	-75 to -35dBm / 75Ohm	-75 to -35dBm / 75Ohm	-75 to -35dBm / 75Ohm
Modulation	QPSK, 16QAM, 64QAM, 256QAM	QPSK, 16QAM, 64QAM, 256QAM	QPSK, 16QAM, 64QAM, 256QAM	QPSK, 16QAM, 64QAM, 256QAM
FEC MODE	LDPC + BCH 1/2, 3/5, 2/3, 3/4, 4/5, 5/6	LDPC + BCH 1/2, 3/5, 2/3, 3/4, 4/5, 5/6	LDPC + BCH 1/2, 3/5, 2/3, 3/4, 4/5, 5/6	LDPC + BCH 1/2, 3/5, 2/3, 3/4, 4/5, 5/6
DVB-T Front end				
Input frequency (MHz) / Loop through	177 - 862 VHF & UHF / O	177 - 862 VHF & UHF / O	177 - 862 VHF & UHF / O	177 - 862 VHF & UHF / O
Input level / Impedance	-80 to 20/dBm / 75 Ohm	-80 to 20/dBm / 75 Ohm	-80 to 20/dBm / 75 Ohm	-80 to 20/dBm / 75 Ohm
Modulation	COFDM 2/8 QPSK 16/64 QAM	COFDM 2/8 QPSK 16/64 QAM	COFDM 2/8 QPSK 16/64 QAM	COFDM 2/8 QPSK 16/64 QAM
FEC	1/2, 2/3, 3/4, 5/6, 7/8	1/2, 2/3, 3/4, 5/6, 7/8	1/2, 2/3, 3/4, 5/6, 7/8	1/2, 2/3, 3/4, 5/6, 7/8
Activ antenna support	○	○	○	○
Hierarchical modulation	Hierarchical - non hierarchical	Hierarchical - non hierarchical	Hierarchical - non hierarchical	Hierarchical - non hierarchical
DVB-S2 Front end				
Input frequency range	○	○	○	○
Signal level	○	○	○	○
Demodulation	○	○	○	○
Input symbol rate	○	○	○	○
DiseqC 1.2 support	○	○	○	○
LNB power & Polarization	○	○	○	○
FEC MODE	○	○	○	○
DVB-C Front end				
Input frequency (MHz)	47 - 862 VHF & UHF	47 - 862 VHF & UHF	47 - 862 VHF & UHF	47 - 862 VHF & UHF
Input level / Impedance	47 - 70dbuV / 75 Ohm	47 - 70dbuV / 75 Ohm	47 - 70dbuV / 75 Ohm	47 - 70dbuV / 75 Ohm
Demodulation / Symbol rate Ms/s	QAM 16/32/64/128/256 demodulation support (EN 300 429) 4.0...7.2 Msymbols/s			
Video Decoder				
MPEG profiles	MP@ML, MP@HL, MPEG4 AVC H.264 HP@L4.0			
Resolution	576i, 576p, 720p, 1080i, 1080p	576i, 576p, 720p, 1080i, 1080p	576i, 576p, 720p, 1080i, 1080p	576i, 576p, 720p, 1080i, 1080p
OSD colors	Fitting to TV-OSD	Fitting to TV-OSD	Fitting to TV-OSD	Fitting to TV-OSD
Picture formats	Auto (WSS), 4:3 / 14:9 / 16:9 / Panorama / Letterbox / Subtitle			
Audio Decoder				
Profiles	MPEG 4 , MPEG 2 layer I & II	MPEG 4 , MPEG 2 layer I & II	MPEG 4 , MPEG 2 layer I & II	MPEG 4 , MPEG 2 layer I & II
AC 3 Output	SP/DIF	SP/DIF	SP/DIF	SP/DIF
Modes	Mono, Dual Mono, Stereo, Joint Stereo	Mono, Dual Mono, Stereo, Joint Stereo	Mono, Dual Mono, Stereo, Joint Stereo	Mono, Dual Mono, Stereo, Joint Stereo
Software				
Service information processing	Dynamic PMT	Dynamic PMT	Dynamic PMT	Dynamic PMT
DVB subtitling	●	●	●	●
Over air download (OTA)	DVB enhanced profile	DVB enhanced profile	DVB enhanced profile	DVB enhanced profile
Navigator	via menu	via menu	via menu	via menu
Last station memory	from stand-by, as TV	from stand-by, as TV	from stand-by, as TV	from stand-by, as TV
Favourite mode	4x free	4x free	4x free	4x free
Mute function	●	●	●	●
Swap function	●	●	●	●
USB part				
Recording	●	●	●	●
Divx + HD	●	●	●	●
Repeat	●	●	●	●
File browser	●	●	●	●
Video file resolution (max.)	1920 x 1080	1920 x 1080	1920 x 1080	1920 x 1080
Supported files	.m4a, .wma, .aac, .jpg, .jpe, .bmp, .png, .mov, .divx, .mpg, .mpe, .vob, .dat, .trp, .ts, .avi, .mp4, .mkv, .div	.m4a, .wma, .aac, .jpg, .jpe, .bmp, .png, .mov, .divx, .mpg, .mpe, .vob, .dat, .trp, .ts, .avi, .mp4, .mkv, .div	.m4a, .wma, .aac, .jpg, .jpe, .bmp, .png, .mov, .divx, .mpg, .mpe, .vob, .dat, .trp, .ts, .avi, .mp4, .mkv, .div	.m4a, .wma, .aac, .jpg, .jpe, .bmp, .png, .mov, .divx, .mpg, .mpe, .vob, .dat, .trp, .ts, .avi, .mp4, .mkv, .div
Supported subtitles	SRT, SSA, ASS, SMI, Video SUB	SRT, SSA, ASS, SMI, Video SUB	SRT, SSA, ASS, SMI, Video SUB	SRT, SSA, ASS, SMI, Video SUB
POWER SUPPLY / CABINET				
Power voltage	230V, 50Hz; in accordance to IEC 65	230V, 50Hz; in accordance to IEC 65	230V, 50Hz; in accordance to IEC 65	230V, 50Hz; in accordance to IEC 65
Range of regulation	140V - 265V	140V - 265V	140V - 265V	140V - 265V
Integrated supply	●	●	●	●
Energy class	A	A	A	A
Power consumption	82W, 0,50W Standby, 120kWh annual on-mode energy consumption	82W, 0,50W Standby, 120kWh annual on-mode energy consumption	82W, 0,50W Standby, 120kWh annual on-mode energy consumption	82W, 0,50W Standby, 120kWh annual on-mode energy consumption
Cabinet (WxHxD, cm)	108,3x66,6x4,3cm	108,3x66,6x4,3cm	108,3x66,6x4,3cm	108,3x66,6x4,3cm
Cabinet with stand (WxHxD, cm)	108,3x71,5x24,4cm	108,3x71,5x24,4cm	108,3x71,5x24,4cm	108,3x71,5x24,4cm
Weight (netto)	ca. 20kg	ca. 20kg	ca. 25,0kg	ca. 25,0kg
REAR PANEL CONNECTIONS				
Euro-AV-socket AV1	Full wired	Full wired	Full wired	Full wired
S-Video	Hosiden	via Euro AV	Hosiden	Hosiden
Camera-AV	3x Cinch socket in	3x Cinch socket in	3x Cinch socket in	3x Cinch socket in
YUV input / progressive	Video-in: 3 x Cinch, Audio-in: 2 x Cinch	Video-in: 3 x Cinch, Audio-in: 2 x Cinch	Video-in: 3 x Cinch, Audio-in: 2 x Cinch	Video-in: 3 x Cinch, Audio-in: 2 x Cinch
LAN	●	○	○	●
PC-input	WXGA	WXGA	WXGA	WXGA
PC-Audio in	●	●	●	●
HDMI	4x	4x	4x	4x
HD ready including HDCP	via HDMI	via HDMI	via HDMI	via HDMI
Common Interface	1 slot	1 slot	1 slot	1 slot
Headphones	3.5mm jack	3.5mm jack	3.5mm jack	3.5mm jack
Digital Audio out optical (SPDIF)	●	●	●	●
Audio out	●	●	●	●
USB	2 x USB 2.0	2 x USB 2.0	2 x USB 2.0	2 x USB 2.0
Antenna for terrestrial reception	○	○	○	○
Antenna for satellite reception	○	○	○	○
Power supply plug	●	●	●	●
SUPPLIED ACCESSORIES				
Wi-Fi Dongle	○	○	○	○
Remote control (incl. battery)	TP 7 black & Comfort Remote	TP 7 black	TP 7 black & Comfort Remote	TP 7 black & Comfort Remote
3D Glasses	○	○	○	○
Power cord	grounded	grounded	grounded	grounded
Instruction manual	●	●	●	●
Wall fixture	Prepared for VESA standard adaptor 400x400	Prepared for VESA standard adaptor 400x400	Prepared for VESA standard adaptor 400x400	Prepared for VESA standard adaptor 400x400
Stand	swivel type glass stand	swivel type glass stand	swivel type glass stand	swivel type glass stand
Cleaning tissue	●	●	●	●

Technische Daten / Technical Data 46"

	46 VLE 7339 BR	46 VLE 8003 BL	46 VLE 8009 BL	46 VLE 8160 WL
Order No.	NQZ000	MDB000	NDZ000	GBJ1946
Product Code	NQZ	MDB	NDZ	KQS
Destination	D, A	D, A	D, A	D, A
Approbations	CE	CE	CE	CE
IM-Languages	D,GB	D,GB	D,GB	D,GB
IM-Languages 2				
Remote control	TP7	TP7	TP7	TP7
EAN	40 13833-00051 8	40 13833-63655 7	40 13833-87360 0	40 13833-62875 0
Color		glossy black	glossy black	glossy white
<b>DISPLAY</b>				
Panel	46" / 117cm	46" / 117cm	46" / 117cm	46" / 117cm
Backlight	EDGE LED	EDGE LED	EDGE LED	EDGE LED
Wide-screen format	●	●	●	●
3D	○	Active shutter	Active shutter	●
Dynamic contrast	Dynamic Contrast Plus	Dynamic Contrast Plus	Dynamic Contrast Plus	Dynamic Contrast Plus
Picture Perfection rate	400Hz	400Hz	400Hz	400Hz
Physical display resolution max. pixel	WUXGA 1920 x 1080 (full HD)	WUXGA 1920 x 1080 (full HD)	WUXGA 1920 x 1080 (full HD)	WUXGA 1920 x 1080 (full HD)
<b>PICTURE</b>				
Motion Picture Improvement	●	●	●	●
Motion Adaptive Deinterlacing	3D Deinterlacer	3D Deinterlacer	3D Deinterlacer	3D Deinterlacer
Full HD	●	●	●	●
HD-TV 1080p	●	●	●	●
Line Flicker Reduction	●	●	●	●
Digital Color Transition Improv. (DCTI)	●	●	●	●
Digital Combfilter	3D	3D	3D	3D
Digital Luminance Transition Improv. (DLTI)	●	●	●	●
Picture Noise Reduction	●	●	●	●
Preset picture modes	user, vivid, natural, movie, sports	user, vivid, natural, movie, sports	user, vivid, natural, movie, sports	user, vivid, natural, movie, sports
Aspect ratios (Format switching)		Auto (WSS), 4:3 / 16:9 / 14:9 / LetterBox / Subtitle / Panorama		
PAT: Split screen (PICTURE + TEXT)	●	●	●	●
Picture freezing	●	●	●	●
Zoom with point function	●	●	●	●
Auto 16:9 selection via Scart	●	●	●	●
Sharpness control	●	●	●	●
Blue Background	●	●	●	●
<b>AUDIO</b>				
Mono/Stereo/Nicam	● / ● / ●	● / ● / ●	● / ● / ●	● / ● / ●
AV Stereo	●	●	●	●
Loudspeaker	2 wide band at the front side	2 wide band at the front side	2 wide band at the front side	2 wide band at the front side
SRS	TruSurround HD	TruSurround HD	TruSurround HD	TruSurround HD
Dolby digital	●	●	●	●
Subwoofer	○	○	○	○
Balance Adjustment	●	●	●	●
AVL (Audio Volume Level)	●	●	●	●
Equalizer	5 Band	5 Band	5 Band	5 Band
Space Sound Effect	●	●	●	●
Sound preset	natural, music, sport, speech, user	cinema, music, sport, speech, user	cinema, music, sport, speech, user	cinema, music, sport, speech, user
Audio amplifier	2 x 10/20W nominal/music power (R/L)	2 x 10/20W nominal/music power (R/L)	2 x 10/20W nominal/music power (R/L)	2 x 10/20W nominal/music power (R/L)
<b>CHASSIS</b>				
TV-Chassis	TP	TP	TP	TP
Tuner	PLL frequency synthesizer tuning	PLL frequency synthesizer tuning	PLL frequency synthesizer tuning	PLL frequency synthesizer tuning
Scaler	Sapphire 13+	Sapphire 13+	Sapphire 13+	Sapphire 13+
Keyboard		7 keys: +/- Programm, Source / Menu, +/- Volume, stand-by		
<b>ELECTRONIC</b>				
DLNA	●	●	●	○
Stand by indicator	blue LED	blue LED	blue LED	blue LED
EPG (Electronic Programme Guide)	7 days via DVB-T, DVB-T2, DVB-C	7 days via DVB-T, DVB-C, DVB-S2	7 days via DVB-T, DVB-C, DVB-S2	7 days via DVB-T, DVB-C, DVB-S2
Manual & autom. labeling of prog.	●	●	●	●
Programmable off timer	●	●	●	●
Programmable on timer	●	●	●	●
Intelligent channel search (Zapping funct.)	●	●	●	●
Programme Edit	●	●	●	●
Programme memory TV/AV (opt.)	100 Analog / 1000 T / 1000 T2 / 1000 C	100 Analog / 1000 T / 1000 C / 6000 S2 / AV	100 Analog / 1000 T / 1000 C / 6000 S2 / AV	100 Analog / 1000 T / 1000 C / 6000 S2 / AV
Teletext/Fasttext/Toptext	● / ● / ●	● / ● / ●	● / ● / ●	● / ● / ●
Teletext options	1000 pages	1000 pages	1000 pages	1000 pages
Childlock	●	●	●	●
Menue languages OSD		24 languages, D, GB, F, I, E, P, NL, DK, S, FIN, N, TR, GR, PL, CZ, SK, SLO, H, RUS, RO, BG, HR, LT, EE		
OSD-style	OEM-style with Grundig look	OEM-style with Grundig look	OEM-style with Grundig look	OEM-style with Grundig look
Service mode	●	●	●	●
Game mode		presets (user changeable) for sound and picture in HDMI-, Component- and PC-mode		
Hotel mode		Simple hotel mode possible via service adjustment		
Digi Link	○	●	●	○
Digi Link (HDMI CEC 1.3)	●	○	○	●
Special feature	○	○	○	○
<b>INTERNET APPLICATIONS</b>				
WLAN internal / external	○ / optional	○ / optional	● / ○	● / ○
DLNA	●	●	●	●
Facebook	●	●	●	●
Twitter	●	●	●	●
Picasa	●	●	●	●
Flickr	●	●	●	●
Youtube	●	●	●	●
V-Tuner	○	○	○	○
funspot	●	●	●	●
tripadvisor	●	●	●	●
HRS	●	●	●	●
Aphoteken	●	●	●	●
Arzt suche	●	●	●	●
BonGusto	●	●	●	●
Laufen.de	●	●	●	●
Yogamour	●	●	●	●
Automotorsport	●	●	●	●
Reuters	●	○	○	●
Bild.de	●	●	●	●
Worldweatheronline	●	●	●	●
Goal 7/24	●	●	●	●
Acetrax	●	●	●	●
Viewster	●	●	●	●
Flixster	●	●	●	●
<b>TUNING</b>				
Autom. Tuning System with country select.	full automatic sorting	full automatic sorting	full automatic sorting	full automatic sorting
Frequency Based Auto Search	●	●	●	●
Automatic Micro-search	●	●	●	●
Manual fine tuning	●	●	●	●
Direct channel selection	●	●	●	●
Direct frequency selection		For cable tuning can be done by entering the frequency (MHz) in digital search menu		
PAL/SECAM/BG/DK/L/L/L	●	●	●	●
NTSC-Playback via Scart (3,58/4,43)	●	●	●	●
Cable TV / Hyperband (S1-S41)	●	●	●	●

	46 VLE 7339 BR	46 VLE 8003 BL	46 VLE 8009 BL	46 VLE 8160 WL
DVB reception				
Fully compliant to	EN 300 744 & revised NorDig II spec (regarding DVB-T front end performance)			
Automatic/manual channel search	● / ● - ATS type sorting & LCN type sorting	● / ● - ATS type sorting & LCN type sorting	● / ● - ATS type sorting & LCN type sorting	● / ● - ATS type sorting & LCN type sorting
EPG (SI based)	●	●	●	●
7 Day Electronic Programme Guide	●	●	●	●
- 8 Day Electronic Programme Guide	○	○	○	○
- now/next	●	●	●	●
- scheduled	If broadcasted	If broadcasted	If broadcasted	If broadcasted
- Extended Event Info	If broadcasted	If broadcasted	If broadcasted	If broadcasted
- Short Event Info	If broadcasted	If broadcasted	If broadcasted	If broadcasted
TV/Radio programmes	1000	1000	1000	1000
OSD languages	Same as analogue languages	Same as analogue languages	Same as analogue languages	Same as analogue languages
Teletext VBI insertion	or decoding	or decoding	or decoding	or decoding
VPS - VBI insertion	PDC based	PDC based	PDC based	PDC based
Programme table	full automatic sorting	full automatic sorting	full automatic sorting	full automatic sorting
Factory station list	●	●	●	●
Common Interface	●	●	●	●
CI +	●	●	●	●
DVB-T2 Front end				
Input frequency range	177 - 862 VHF & UHF	○	○	○
Input level / Impedance	-75 to -35dBm / 75Ohm	○	○	○
Modulation	QPSK, 16QAM, 64QAM, 256QAM	○	○	○
FEC MODE	LDPC + BCH 1/2, 3/5, 2/3, 3/4, 4/5, 5/6	○	○	○
DVB-T Front end				
Input frequency (MHz) / Loop through	177 - 862 VHF & UHF / ○	177 - 862 VHF & UHF / ○	177 - 862 VHF & UHF / ○	177 - 862 VHF & UHF / ○
Input level / Impedance	-80 to 20dBm / 75 Ohm	-80 to 20dBm / 75 Ohm	-80 to 20dBm / 75 Ohm	-80 to 20dBm / 75 Ohm
Modulation	COFDM 2/8 QPSK 16/64 QAM	COFDM 2/8 QPSK 16/64 QAM	COFDM 2/8 QPSK 16/64 QAM	COFDM 2/8 QPSK 16/64 QAM
FEC	1/2, 2/3, 3/4, 5/6, 7/8	1/2, 2/3, 3/4, 5/6, 7/8	1/2, 2/3, 3/4, 5/6, 7/8	1/2, 2/3, 3/4, 5/6, 7/8
Activ antenna support	●	○	○	○
Hierarchical modulation	Hierarchical - non hierarchical	Hierarchical - non hierarchical	Hierarchical - non hierarchical	Hierarchical - non hierarchical
DVB-S2 Front end				
Input frequency range	○	950 MHz to 2150 MHz	950 MHz to 2150 MHz	950 MHz to 2150 MHz
Signal level	○	-25 to -80dBm (Only for DVB-S) -25 to -70dBm (Only for DVB-S2)	-25 to -80dBm (Only for DVB-S) -25 to -70dBm (Only for DVB-S2)	-25 to -80dBm (Only for DVB-S) -25 to -70dBm (Only for DVB-S2)
Demodulation	○	QPSK, 8PSK	QPSK, 8PSK	QPSK, 8PSK
Input symbol rate	○	1 - 45 Msps for DVB-S 5 - 30 Msps for DVB-S2	1 - 45 Msps for DVB-S 5 - 30 Msps for DVB-S2	1 - 45 Msps for DVB-S 5 - 30 Msps for DVB-S2
DiseqC 1.2 support	○	●	●	●
LNB power & Polarization	○	13/18V Selection / Vertical 22 KHz generation - Overload Protection	13/18V Selection / Vertical 22 KHz generation - Overload Protection	13/18V Selection / Vertical 22 KHz generation - Overload Protection
FEC MODE	○	Auto - QPSK-S: 1/2, 2/3, 3/4, 3/5, 5/6, 8/9, 9/10 QPSK-S2: 1/2, 2/3, 3/4, 3/5, 4/5, 5/6, 8/9, 9/10 8PSK: 2/3, 3/4, 3/5, 5/6, 8/9, 9/10	Auto - QPSK-S: 1/2, 2/3, 3/4, 3/5, 5/6, 8/9, 9/10 QPSK-S2: 1/2, 2/3, 3/4, 3/5, 4/5, 5/6, 8/9, 9/10 8PSK: 2/3, 3/4, 3/5, 5/6, 8/9, 9/10	Auto - QPSK-S: 1/2, 2/3, 3/4, 3/5, 5/6, 8/9, 9/10 QPSK-S2: 1/2, 2/3, 3/4, 3/5, 4/5, 5/6, 8/9, 9/10 8PSK: 2/3, 3/4, 3/5, 5/6, 8/9, 9/10
DVB-C Front end				
Input frequency (MHz)	47 - 862 VHF & UHF	47 - 862 VHF & UHF	47 - 862 VHF & UHF	47 - 862 VHF & UHF
Input level / Impedance	47 - 70dbuV / 75 Ohm	47 - 70dbuV / 75 Ohm	47 - 70dbuV / 75 Ohm	47 - 70dbuV / 75 Ohm
Demodulation / Symbol rate Ms/s	QAM 16/32/64/128/256 demodulation support (EN 300 429) 4.0...7.2 Msymbols/s			
Video Decoder				
MPEG profiles	MP@ML, MP@HL, MPEG4 AVC H.264 HP@L4.0			
Resolution	576i, 576p, 720p, 1080i, 1080p	576i, 576p, 720p, 1080i, 1080p	576i, 576p, 720p, 1080i, 1080p	576i, 576p, 720p, 1080i, 1080p
OSD colors	Fitting to TV-OSD	Fitting to TV-OSD	Fitting to TV-OSD	Fitting to TV-OSD
Picture formats	Auto (WSS), 4:3 / 14:9 / 16:9 / Panorama / Letterbox / Subtitle			
Audio Decoder				
Profiles	MPEG 4, MPEG 2 layer I & II	MPEG 4, MPEG 2 layer I & II	MPEG 4, MPEG 2 layer I & II	MPEG 4, MPEG 2 layer I & II
AC 3 Output	SP/DIF	SP/DIF	SP/DIF	SP/DIF
Modes	Mono, Dual Mono, Stereo, Joint Stereo	Mono, Dual Mono, Stereo, Joint Stereo	Mono, Dual Mono, Stereo, Joint Stereo	Mono, Dual Mono, Stereo, Joint Stereo
Software				
Service information processing	Dynamic PMT	Dynamic PMT	Dynamic PMT	Dynamic PMT
DVB subtitles	●	●	●	●
Over air download (OTA)	DVB enhanced profile	DVB enhanced profile	DVB enhanced profile	DVB enhanced profile
Navigator	via menu	via menu	via menu	via menu
Last station memory	from stand-by, as TV	from stand-by, as TV	from stand-by, as TV	from stand-by, as TV
Favourite mode	4x free	4x free	4x free	4x free
Mute function	●	●	●	●
Swap function	●	●	●	●
USB part				
Recording	●	-	-	●
Divx + HD	●	●	●	●
Repeat	●	●	●	●
File browser	●	●	●	●
Video file resolution (max.)	1920 x 1080	1920 x 1080	1920 x 1080	1920 x 1080
Supported files	.m4a, .wma, .aac, .jpg, .jpe, .bmp, .png, .mov, .divx, .mpg, .mpe, .vob, .dat, .trp, .ts, .avi, .mp4, .mkv, .div	.m4a, .wma, .aac, .jpg, .jpe, .bmp, .png, .mov, .divx, .mpg, .mpe, .vob, .dat, .trp, .ts, .avi, .mp4, .mkv, .div	.m4a, .wma, .aac, .jpg, .jpe, .bmp, .png, .mov, .divx, .mpg, .mpe, .vob, .dat, .trp, .ts, .avi, .mp4, .mkv, .div	.m4a, .wma, .aac, .jpg, .jpe, .bmp, .png, .mov, .divx, .mpg, .mpe, .vob, .dat, .trp, .ts, .avi, .mp4, .mkv, .div
Supported subtitles	SRT, SSA, ASS, SMI, Video SUB	SRT, SSA, ASS, SMI, Video SUB	SRT, SSA, ASS, SMI, Video SUB	SRT, SSA, ASS, SMI, Video SUB
POWER SUPPLY / CABINET				
Power voltage	230V, 50Hz; in accordance to IEC 65	230V, 50Hz; in accordance to IEC 65	230V, 50Hz; in accordance to IEC 65	230V, 50Hz; in accordance to IEC 65
Range of regulation	140V - 265V	140V - 265V	140V - 265V	140V - 265V
Integrated supply	●	●	●	●
Energy class	A	A	A	A
Power consumption	82W, 0,50W Standby, 120kWh annual on-mode energy co	82W, 0,50W Standby, 120kWh annual on-mode energy consumption	82W, 0,50W Standby, 120kWh annual on-mode energy consumption	82W, 0,50W Standby, 120kWh annual on-mode energy consumption
Cabinet (WxHxD, cm)	108,3x66,6x4,3cm	108,3x66,6x4,3cm	108,3x66,6x4,3cm	108,3x66,6x4,3cm
Cabinet with stand (WxHxD, cm)	108,3x71,5x24,4cm	108,3x71,5x24,4cm	108,3x71,5x24,4cm	108,3x71,5x24,4cm
Weight (netto)	ca. 20kg	ca. 20kg	ca. 20kg	ca. 25,0kg
REAR PANEL CONNECTIONS				
Euro-AV-socket AV1	Full wired	Full wired	Full wired	Full wired
S-Video	Hosiden	Hosiden	Hosiden	Hosiden
Camera-AV	3x Cinch socket in	3x Cinch socket in	3x Cinch socket in	3x Cinch socket in
YUV input / progressive	Video-in: 3 x Cinch, Audio-in: 2 x Cinch	Video-in: 3 x Cinch, Audio-in: 2 x Cinch	Video-in: 3 x Cinch, Audio-in: 2 x Cinch	Video-in: 3 x Cinch, Audio-in: 2 x Cinch
LAN	○	○	○	○
PC-input	WXGA	WXGA	WXGA	WXGA
PC-Audio in	●	●	●	●
HDMI	4x	4x	4x	4x
HD ready including HDCP	via HDMI	via HDMI	via HDMI	via HDMI
Common Interface	1 slot	1 slot	1 slot	1 slot
Headphones	3.5mm jack	3.5mm jack	3.5mm jack	3.5mm jack
Digital Audio out optical (SPDIF)	●	●	●	●
Audio out	○	○	○	○
USB	2 x USB 2.0	2 x USB 2.0	2 x USB 2.0	2 x USB 2.0
Antenna for terrestrial reception	1 x Coaxial-socket for TV-tuner-in, according to DIN 45325			
Antenna for satellite reception	○	1 x F-connector	1 x F-connector	1 x F-connector
Power supply plug	●	●	●	●
SUPPLIED ACCESSORIES				
Wi-Fi Dongle	●	●	○	○
Remote control (incl. battery)	TP 7 black & Comfort Remote	TP 7 black	TP 7 black	TP 7 black
3D Glasses	○	○	○	○
Power cord	grounded	●	●	grounded
Instruction manual	●	●	●	●
Wall fixture	Prepared for VESA standard adaptor 400x400	Prepared for VESA standard adaptor 400 x 400	Prepared for VESA standard adaptor 400 x 400	Prepared for VESA standard adaptor 400 x 400
Stand	swivel type glass stand	swivel type glass stand	swivel type glass stand	swivel type glass stand
Cleaning tissue	●	●	●	●

Technische Daten / Technical Data 46"

	46 VLE 8221 BL	46 VLE 8270 BH	46 VLE 8270 BP
Order No.	LEL000	KSB000, KSS000, KSU000	KSJ000
Product Code	LEL	KSB, KSS, KSU	KSM
Destination	D, A	France, Spain, Italy, MEA	Nordic countries
Approbations	CE	CE	CE
IM-Languages	D,GB	ES, FR, PT, D, GB, NL, EE - DE, EN, HR, IT, EL, BG, SLO	D,DK,N,S,FIN,HR
IM-Languages 2			EL
Remote control	TP7	TP7-YF1	TP7
EAN	40 13833-63190 3	40 13833-63021 0/-63023 4/-63007 4	40 13833-63013 5
Color	glossy black	glossy black/glossy black/glossy black	glossy black
<b>DISPLAY</b>			
Panel	46" / 117cm	46" / 117cm	46" / 117cm
Backlight	EDGE LED	EDGE LED	EDGE LED
Wide-screen format	●	●	●
3D	○	Active shutter	●
Dynamic contrast	Dynamic Contrast Plus	Dynamic Contrast Plus	Dynamic Contrast Plus
Picture Perfection rate	400Hz	400Hz	400Hz
Physical display resolution max. pixel	WUXGA 1920 x 1080 (full HD)	WUXGA 1920 x 1080 (full HD)	WUXGA 1920 x 1080 (full HD)
<b>PICTURE</b>			
Motion Picture Improvement	○	●	●
Motion Adaptive Deinterlacing	3D Deinterlacer	3D Deinterlacer	3D Deinterlacer
Full HD	●	●	●
HD-TV 1080p	●	●	●
Line Flicker Reduction	●	●	●
Digital Color Transition Improv. (DCTI)	●	●	●
Digital Combfilter	3D	3D	3D
Digital Luminance Transition Improv. (DLTI)	●	●	●
Picture Noise Reduction	●	●	●
Preset picture modes	user, vivid, natural, movie, sports	user, vivid, natural, movie, sports	user, vivid, natural, movie, sports
Aspect ratios (Format switching)	Auto (WSS), 4:3 / 16:9 / 14:9 / LetterBox / Subtitle / Panorama	Auto (WSS), 4:3 / 16:9 / 14:9 / LetterBox / Subtitle / Panorama	Auto (WSS), 4:3 / 16:9 / 14:9 / LetterBox / Subtitle / Panorama
PAT: Split screen (PICTURE + TEXT)	●	●	●
Picture freezing	●	●	●
Zoom with point function	●	●	●
Auto 16:9 selection via Scart	●	●	●
Sharpness control	●	●	●
Blue Background	●	●	●
<b>AUDIO</b>			
Mono/Stereo/Nicam	● / ● / ●	● / ● / ●	● / ● / ●
AV Stereo	●	●	●
Loudspeaker	2 wide band at the front side	2 wide band at the front side	2 wide band at the front side
SRS	TruSurround HD	TruSurround HD	TruSurround HD
Dolby digital	●	●	●
Subwoofer	○	●	●
Balance Adjustment	●	●	●
AVL (Audio Volume Level)	●	●	●
Equalizer	5 Band	5 Band	5 Band
Space Sound Effect	●	●	●
Sound preset	cinema, music, sport, speech, user	cinema, music, sport, speech, user	cinema, music, sport, speech, user
Audio amplifier	2 x 10/20W nominal/music power (R/L)	2 x 10/20W nominal/music power (R/L)	2 x 10/20W nominal/music power (R/L)
<b>CHASSIS</b>			
TV-Chassis	TP	TP	TP
Tuner	PLL frequency synthesizer tuning	PLL frequency synthesizer tuning	PLL frequency synthesizer tuning
Scaler	Sapphire 13+	Sapphire 13+	Sapphire 13+
Keyboard	7 keys: +/- Programm, Source / Menu, +/- Volume, stand-by	7 keys: +/- Programm, Source / Menu, +/- Volume, stand-by	7 keys: +/- Programm, Source / Menu, +/- Volume, stand-by
<b>ELECTRONIC</b>			
DLNA	○	○	●
Stand by indicator	blue LED	blue LED	blue LED
EPG (Electronic Programme Guide)	7 days via DVB-T, DVB-C	7 days via DVB-T, DVB-C	7 days via DVB-T, DVB-T2, DVB-C, DVB-S2
Manual & autom. labeling of prog.	●	●	●
Programmable off timer	●	●	●
Programmable on timer	●	●	●
Intelligent channel search (Zapping funct.)	●	●	●
Programme Edit	●	●	●
Programme memory TV/AV (opt.)	100 Analog / 1000 T / 1000 C / AV	100 Analog / 1000 T / 1000 C / AV	100 Analog / 1000 T / 1000 T2 / 1000 C / 6000 S2 / AV
Teletext/Fasttext/Toptext	● / ● / ●	● / ● / ●	● / ● / ●
Teletext options	1000 pages	1000 pages	1000 pages
Childlock	●	●	●
Menue languages OSD	24 languages, D, GB, F, I, E, P, NL, DK, S, FIN, N, TR, GR, PL, CZ, SK, SLO, H, RUS, RO, BG, HR, LT, EE		
OSD-style	OEM-style with Grundig look	OEM-style with Grundig look	OEM-style with Grundig look
Service mode	●	●	●
Game mode	presets (user changeable) for sound and picture in HDMI-, Component- and PC-mode		
Hotel mode	Simple hotel mode possible via service adjustment	Simple hotel mode possible via service adjustment	Simple hotel mode possible via service adjustment
Digi Link	●	○	○
Digi Link (HDMI CEC 1.3)	○	●	●
Special feature	○	○	○
<b>INTERNET APPLICATIONS</b>			
WLAN internal / external	○ / optional	● / ○	● / ○
DLNA	●	●	●
Facebook	●	●	●
Twitter	●	●	●
Picasa	●	●	●
Flickr	●	●	●
Youtube	●	●	●
V-Tuner	●	●	●
funspot	●	●	●
tripadvisor	●	●	●
HRS	●	●	●
Aphoteken	●	●	●
Arzt suche	●	●	●
BonGusto	●	●	●
Laufen.de	●	●	●
Yogamour	●	●	●
Automotorsport	●	●	●
Reuters	●	●	●
Bild.de	●	●	●
Worldweatheronline	●	●	●
Goal 7/24	●	●	●
Acetrax	●	●	●
Viewster	●	●	●
Flixster	●	●	●
<b>TUNING</b>			
Autom. Tuning System with country select.	full automatic sorting	full automatic sorting	full automatic sorting
Frequency Based Auto Search	●	●	●
Automatic Micro-search	●	●	●
Manual fine tuning	●	●	●
Direct channel selection	●	●	●
Direct frequency selection	For cable tuning can be done by entering the frequency (MHz) in digital search menu		
PAL/SECAM/BG/DK/L/L/L	●	●	●
NTSC-Playback via Scart (3,58/4,43)	●	●	●
Cable TV / Hyperband (S1-S41)	●	●	●

	46 VLE 8221 BL	46 VLE 8270 BH	46 VLE 8270 BP
DVB reception			
Fully compliant to	EN 300 744 & revised NorDig II spec (regarding DVB-T front end performance)		
Automatic/manual channel search	● / ● - ATS type sorting & LCN type sorting	● / ● - ATS type sorting & LCN type sorting	● / ● - ATS type sorting & LCN type sorting
EPG (SI based)	●	●	●
7 Day Electronic Programme Guide	●	●	●
- 8 Day Electronic Programme Guide	○	○	○
- now/next	●	●	●
- scheduled	If broadcasted	If broadcasted	If broadcasted
- Extended Event Info	If broadcasted	If broadcasted	If broadcasted
- Short Event Info	If broadcasted	If broadcasted	If broadcasted
TV/Radio programmes	1000	1000	1000
OSD languages	Same as analogue languages	Same as analogue languages	Same as analogue languages
Teletext VBI insertion	or decoding	or decoding	or decoding
VPS - VBI insertion	PDC based	PDC based	PDC based
Programme table	full automatic sorting	full automatic sorting	full automatic sorting
Factory station list	●	●	●
Common Interface	●	●	●
CI +	●	●	●
DVB-T2 Front end			
Input frequency range	○	○	177 - 862 VHF & UHF
Input level / Impedance	○	○	-80 to 20dBm / 75 Ohm
Modulation	○	○	QPSK, 16QAM, 64QAM, 256QAM
FEC MODE	○	○	LDPC + BCH 1/2, 3/5, 2/3, 3/4, 4/5, 5/6
DVB-T Front end			
Input frequency (MHz) / Loop through	177 - 862 VHF & UHF / ○	177 - 862 VHF & UHF / ○	177 - 862 VHF & UHF / ○
Input level / Impedance	-80 to 20dBm / 75 Ohm	-80 to 20dBm / 75 Ohm	-80 to 20dBm / 75 Ohm
Modulation	COFDM 2/8 QPSK 16/64 QAM	COFDM 2/8 QPSK 16/64 QAM	COFDM 2/8 QPSK 16/64 QAM
FEC	1/2, 2/3, 3/4, 5/6, 7/8	1/2, 2/3, 3/4, 5/6, 7/8	1/2, 2/3, 3/4, 5/6, 7/8
Activ antenna support	○	○	○
Hierarchical modulation	Hierarchical - non hierarchical	Hierarchical - non hierarchical	Hierarchical - non hierarchical
DVB-S2 Front end			
Input frequency range	○	○	950 MHz to 2150 MHz
Signal level	○	○	-25 to -80dBm (Only for DVB-S) -25 to -70dBm (Only for DVB-S2)
Demodulation	○	○	QPSK, 8PSK
Input symbol rate	○	○	1 - 45 Msps for DVB-S 5 - 30 Msps for DVB-S2
DiseqC 1.2 support	○	○	●
LNB power & Polarization	○	○	13/18V Selection / Vertical 22 KHz generation - Overload Protection
FEC MODE	○	○	Auto - QPSK-S: 1/2, 2/3, 3/4, 3/5, 5/6, 8/9, 9/10 QPSK-S2: 1/2, 2/3, 3/4, 3/5, 4/5, 5/6, 8/9, 9/10 8PSK: 2/3, 3/4, 3/5, 5/6, 8/9, 9/10
DVB-C Front end			
Input frequency (MHz)	47 - 862 VHF & UHF	47 - 862 VHF & UHF	47 - 862 VHF & UHF
Input level / Impedance	47 - 70dBµV / 75 Ohm	47 - 70dBµV / 75 Ohm	47 - 70dBµV / 75 Ohm
Demodulation / Symbol rate Ms/s	QAM 16/32/64/128/256 demodulation support (EN 300 429) 4.0...7.2 Msymbols/s		
Video Decoder			
MPEG profiles	MP@ML, MP@HL, MPEG4 AVC H.264 HP@L4.0	MP@ML, MP@HL, MPEG4 AVC H.264 HP@L4.0	MP@ML, MP@HL, MPEG4 AVC H.264 HP@L4.0
Resolution	576i, 576p, 720p, 1080i, 1080p	576i, 576p, 720p, 1080i, 1080p	576i, 576p, 720p, 1080i, 1080p
OSD colors	Fitting to TV-OSD	Fitting to TV-OSD	Fitting to TV-OSD
Picture formats	Auto (WSS), 4:3 / 14:9 / 16:9 / Panorama / Letterbox / Subtitle	Auto (WSS), 4:3 / 14:9 / 16:9 / Panorama / Letterbox / Subtitle	Auto (WSS), 4:3 / 14:9 / 16:9 / Panorama / Letterbox / Subtitle
Audio Decoder			
Profiles	MPEG 4 , MPEG 2 layer I & II	MPEG 4 , MPEG 2 layer I & II	MPEG 4 , MPEG 2 layer I & II
AC 3 Output	SP/DIF	SP/DIF	SP/DIF
Modes	Mono, Dual Mono, Stereo, Joint Stereo	Mono, Dual Mono, Stereo, Joint Stereo	Mono, Dual Mono, Stereo, Joint Stereo
Software			
Service information processing	Dynamic PMT	Dynamic PMT	Dynamic PMT
DVB subtitling	●	●	●
Over air download (OTA)	DVB enhanced profile	DVB enhanced profile	DVB enhanced profile
Navigator	via menu	via menu	via menu
Last station memory	from stand-by, as TV	from stand-by, as TV	from stand-by, as TV
Favourite mode	4x free	4x free	4x free
Mute function	●	●	●
Swap function	●	●	●
USB part			
Recording	○	●	●
Divx + HD	●	●	●
Repeat	●	●	●
File browser	●	●	●
Video file resolution (max.)	1920 x 1080	1920 x 1080	1920 x 1080
Supported files	.m4a, .wma, .aac, .jpg, .jpe, .bmp, .png, .mov, .divx, .mpg, .mpe, .vob, .dat, .trp, .ts, .avi, .mp4, .mkv, .div	.m4a, .wma, .aac, .jpg, .jpe, .bmp, .png, .mov, .divx, .mpg, .mpe, .vob, .dat, .trp, .ts, .avi, .mp4, .mkv, .div	.m4a, .wma, .aac, .jpg, .jpe, .bmp, .png, .mov, .divx, .mpg, .mpe, .vob, .dat, .trp, .ts, .avi, .mp4, .mkv, .div
Supported subtitles	SRT, SSA, ASS, SMI, Video SUB	SRT, SSA, ASS, SMI, Video SUB	SRT, SSA, ASS, SMI, Video SUB
POWER SUPPLY / CABINET			
Power voltage	230V, 50Hz; in accordance to IEC 65	230V, 50Hz; in accordance to IEC 65	230V, 50Hz; in accordance to IEC 65
Range of regulation	140V - 265V	140V - 265V	140V - 265V
Integrated supply	●	●	●
Energy class	A	A	A
Power consumption	82W, 0,50W Standby, 120kWh annual on-mode energy consumption	82W, 0,50W Standby, 120kWh annual on-mode energy consumption	82W, 0,50W Standby, 120kWh annual on-mode energy consumption
Cabinet (WxHxD, cm)	108,3x64,6x5cm	108,3x66,6x4,3cm	108,3x66,6x4,3cm
Cabinet with stand (WxHxD, cm)	108,3x68,9x24,4cm	108,3x71,5x24,4cm	108,3x71,5x24,4cm
Weight (netto)	ca. 20kg	ca. 25,0kg	ca. 25,0kg
REAR PANEL CONNECTIONS			
Euro-AV-socket AV1	Full wired	Full wired	Full wired
S-Video	Hosiden	Hosiden	Hosiden
Camera-AV	3x Cinch socket in	3x Cinch socket in	3x Cinch socket in
YUV input / progressive	Video-in: 3 x Cinch, Audio-in: 2 x Cinch	Video-in: 3 x Cinch, Audio-in: 2 x Cinch	Video-in: 3 x Cinch, Audio-in: 2 x Cinch
LAN	●	●	●
PC-input	WXGA	WXGA	WXGA
PC-Audio in	●	●	●
HDMI	4x	4x	4x
HD ready including HDCP	via HDMI	via HDMI	via HDMI
Common Interface	1 slot	1 slot	1 slot
Headphones	3.5mm jack	3.5mm jack	3.5mm jack
Digital Audio out optical (SPDIF)	●	●	●
Audio out	●	●	●
USB	2 x USB 2.0	2 x USB 2.0	2 x USB 2.0
Antenna for terrestrial reception	1 x Coaxial-socket for TV-tuner-in, according to DIN 45325	1 x Coaxial-socket for TV-tuner-in, according to DIN 45325	1 x Coaxial-socket for TV-tuner-in, according to DIN 45325
Antenna for satellite reception	○	○	1 x F-connector
Power supply plug	●	●	●
SUPPLIED ACCESSORIES			
Wi-Fi Dongle	○	○	○
Remote control (incl. battery)	TP 7 black	TP 7 black & Comfort Remote	TP 7 black
3D Glasses	○	○	○
Power cord	grounded	grounded	grounded
Instruction manual	●	●	●
Wall fixture	Prepared for VESA standard adaptor 400 x 400	Prepared for VESA standard adaptor 400 x 400	Prepared for VESA standard adaptor 400 x 400
Stand	swivel type glass stand	swivel type glass stand	swivel type glass stand
Cleaning tissue	●	●	●

Technische Daten / Technical Data 46"

	46 VLE 8270 CP	46 VLE 8270 WP	Fine Arts 46 FLE 9170 SH
Order No.	KSM000	KSQ000	JRM000
Product Code	KSM	KSQ	JRM
Destination	Nordic countries	Nordic countries	France, Spain
Approbations	CE	CE	CE
IM-Languages	D,DK,N,S,FIN,HR	D,DK,N,S,FIN,HR	ES, FR, PT, D, GB, NL, EE
IM-Languages 2	EL	EL	
Remote control	TP7	TP7	TP8-YF2
EAN	40 13833-63014 2	40 13833-63015 9	40 13833-62815 6
Color	chrom	glossy white	silver
<b>DISPLAY</b>			
Panel	46" / 117cm	46" / 117cm	46" / 117cm
Backlight	EDGE LED	EDGE LED	EDGE LED
Wide-screen format	•	•	•
3D	•	Active shutter	•
Dynamic contrast	Dynamic Contrast Plus	Dynamic Contrast Plus	Dynamic Contrast Plus
Picture Perfection rate	400Hz	400Hz	400Hz
Physical display resolution max. pixel	WUXGA 1920 x 1080 (full HD)	WUXGA 1920 x 1080 (full HD)	WUXGA 1920 x 1080 (full HD)
<b>PICTURE</b>			
Motion Picture Improvement	•	•	•
Motion Adaptive Deinterlacing	3D Deinterlacer	3D Deinterlacer	3D Deinterlacer
Full HD	•	•	•
HD-TV 1080p	•	○	•
Line Flicker Reduction	•	•	•
Digital Color Transition Improv. (DCTI)	•	•	•
Digital Combfilter	3D	3D	3D
Digital Luminance Transition Improv. (DLTI)	•	•	•
Picture Noise Reduction	•	•	•
Preset picture modes	user, vivid, natural, movie, sports	user, vivid, natural, movie, sports	user, vivid, natural, movie, sports
Aspect ratios (Format switching)	Auto (WSS), 4:3 / 16:9 / 14:9 / LetterBox / Subtitle / Panorama	Auto (WSS), 4:3 / 16:9 / 14:9 / LetterBox / Subtitle / Panorama	Auto (WSS), 4:3 / 16:9 / 14:9 / LetterBox / Subtitle / Panorama
PAT: Split screen (PICTURE + TEXT)	•	•	•
Picture freezing	•	•	•
Zoom with point function	•	•	•
Auto 16:9 selection via Scart	•	•	•
Sharpness control	•	•	•
Blue Background	•	•	•
<b>AUDIO</b>			
Mono/Stereo/Nicam	• / • / •	• / • / •	• / • / •
AV Stereo	•	•	•
Loudspeaker	2 wide band at the front side	2 wide band at the front side	2 wide band at the front side
SRS	TruSurround HD	TruSurround HD	TruSurround HD
Dolby digital	•	•	•
Subwoofer	•	•	•
Balance Adjustment	•	•	•
AVL (Audio Volume Level)	•	•	•
Equalizer	5 Band	5 Band	5 Band
Space Sound Effect	•	•	•
Sound preset	cinema, music, sport, speech, user	natural, music, sport, speech, user	cinema, music, sport, speech, user
Audio amplifier	2 x 10/20W nominal/music power (R/L)	2 x 10/20W nominal/music power (R/L)	2 x 10/20W nominal/music power (R/L)
<b>CHASSIS</b>			
TV-Chassis	TP	TP	TP
Tuner	PLL frequency synthesizer tuning	PLL frequency synthesizer tuning	PLL frequency synthesizer tuning
Scaler	Sapphire 13+	Sapphire 13+	Sapphire 13+
Keyboard	7 keys: +/- Programm, Source / Menu, +/- Volume, stand-by	7 keys: +/- Programm, Source / Menu, +/- Volume, stand-by	7 keys: +/- Programm, Source / Menu, +/- Volume, stand-by
<b>ELECTRONIC</b>			
DLNA	•	○	•
Stand by indicator	blue LED	blue LED	blue LED
EPG (Electronic Programme Guide)	7 days via DVB-T, DVB-T2, DVB-C, DVB-S2	7 days via DVB-T, DVB-T2, DVB-C, DVB-S2	7 days via DVB-T, DVB-C
Manual & autom. labeling of prog.	•	•	•
Programmable off timer	•	•	•
Programmable on timer	•	•	•
Intelligent channel search (Zapping funct.)	•	•	•
Programme Edit	•	•	•
Programme memory TV/AV (opt.)	100 Analog / 1000 T / 1000 T2 / 1000 C / 6000 S2 / AV	100 Analog / 1000 T / 1000 T2 / 1000 C / 6000 S2 / AV	100 Analog / 1000 T / 1000 C / AV
Teletext/Fasttext/Toptext	• / • / •	• / • / •	• / • / •
Teletext options	1000 pages	1000 pages	1000 pages
Childlock	•	•	•
Menue languages OSD	24 languages, D, GB, F, I, E, P, NL, DK, S, FIN, N, TR, GR, PL, CZ, SK, SLO, H, RUS, RO, BG, HR, LT, EE		
OSD-style	OEM-style with Grundig look	OEM-style with Grundig look	OEM-style with Grundig look
Service mode	•	•	•
Game mode	presets (user changeable) for sound and picture in HDMI-, Component- and PC-mode		
Hotel mode	Simple hotel mode possible via service adjustment	Simple hotel mode possible via service adjustment	Simple hotel mode possible via service adjustment
Digi Link	○	○	○
Digi Link (HDMI CEC 1.3)	•	•	•
Special feature	○	○	○
<b>INTERNET APPLICATIONS</b>			
WLAN internal / external	• / ○	• / ○	• / ○
DLNA	•	•	•
Facebook	•	•	•
Twitter	•	•	•
Picasa	•	•	•
Flickr	•	•	•
Youtube	•	•	•
V-Tuner	•	•	•
funspot	•	•	•
tripadvisor	•	•	•
HRS	•	•	○
Aphoteken	•	•	•
Arzt suche	•	•	•
BonGusto	•	•	•
Laufen.de	•	•	•
Yogamour	•	•	•
Automotorsport	•	•	•
Reuters	•	•	•
Bild.de	•	•	•
Worldweatheronline	•	•	•
Goal 7/24	•	•	•
Acetrax	•	•	•
Viewster	•	•	•
Flixster	•	•	•
<b>TUNING</b>			
Autom. Tuning System with country select.	full automatic sorting	full automatic sorting	full automatic sorting
Frequency Based Auto Search	•	•	•
Automatic Micro-search	•	•	•
Manual fine tuning	•	•	•
Direct channel selection	•	•	•
Direct frequency selection	For cable tuning can be done by entering the frequency (MHz) in digital search menu		
PAL/SECAM/BG/DK/L/L'	•	•	•
NTSC-Playback via Scart (3,58/4,43)	•	•	•
Cable TV / Hyperband (S1-S41)	•	•	•

	46 VLE 8270 CP	46 VLE 8270 WP	Fine Arts 46 FLE 9170 SH
DVB reception	EN 300 744 & revised NorDig II spec (regarding DVB-T front end performance)		
Fully compliant to	EN 300 744 & revised NorDig II spec (regarding DVB-T front end performance)		
Automatic/manual channel search	● / ● - ATS type sorting & LCN type sorting	● / ● - ATS type sorting & LCN type sorting	● / ● - ATS type sorting & LCN type sorting
EPG (SI based)	●	●	●
7 Day Electronic Programme Guide	●	●	●
- 8 Day Electronic Programme Guide	○	○	○
- now/next	●	●	●
- scheduled	If broadcasted	If broadcasted	If broadcasted
- Extended Event Info	If broadcasted	If broadcasted	If broadcasted
- Short Event Info	If broadcasted	If broadcasted	If broadcasted
TV/Radio programmes	1000	1000	1000
OSD languages	Same as analogue languages	Same as analogue languages	Same as analogue languages
Teletext VBI insertion	or decoding	or decoding	or decoding
VPS - VBI insertion	PDC based	PDC based	PDC based
Programme table	full automatic sorting	full automatic sorting	full automatic sorting
Factory station list	●	●	●
Common Interface	●	●	●
CI +	●	●	●
DVB-T2 Front end			
Input frequency range	177 - 862 VHF & UHF	177 - 862 VHF & UHF	○
Input level / Impedance	-75 to -35dBm / 75Ohm	-75 to -35dBm / 75Ohm	○
Modulation	QPSK, 16QAM, 64QAM, 256QAM	QPSK, 16QAM, 64QAM, 256QAM	○
FEC MODE	LDPC + BCH 1/2, 3/5, 2/3, 3/4, 4/5, 5/6	LDPC + BCH 1/2, 3/5, 2/3, 3/4, 4/5, 5/6	○
DVB-T Front end			
Input frequency (MHz) / Loop through	177 - 862 VHF & UHF / ○	177 - 862 VHF & UHF / ○	177 - 862 VHF & UHF / ○
Input level / Impedance	-80 to 20dBm / 75 Ohm	-80 to 20dBm / 75 Ohm	-80 to 20dBm / 75 Ohm
Modulation	COFDM 2/8 QPSK 16/64 QAM	COFDM 2/8 QPSK 16/64 QAM	COFDM 2/8 QPSK 16/64 QAM
FEC	1/2, 2/3, 3/4, 5/6, 7/8	1/2, 2/3, 3/4, 5/6, 7/8	1/2, 2/3, 3/4, 5/6, 7/8
Activ antenna support	○	●	○
Hierarchical modulation	Hierarchical - non hierarchical	Hierarchical - non hierarchical	Hierarchical - non hierarchical
DVB-S2 Front end			
Input frequency range	950 MHz to 2150 MHz	950 MHz to 2150 MHz	○
Signal level	-25 to -80dBm (Only for DVB-S) -25 to -70dBm (Only for DVB-S2)	-25 to -80dBm (Only for DVB-S) -25 to -70dBm (Only for DVB-S2)	○
Demodulation	QPSK, 8PSK	QPSK, 8PSK	○
Input symbol rate	1 - 45 Msps for DVB-S 5 - 30 Msps for DVB-S2	1 - 45 Msps for DVB-S 5 - 30 Msps for DVB-S2	○
DiseqC 1.2 support	●	●	○
LNB power & Polarization	13/18V Selection / Vertical 22 KHz generation - Overload Protection	13/18V Selection / Vertical 22 KHz generation - Overload Protection	○
FEC MODE	Auto - QPSK-S: 1/2, 2/3, 3/4, 3/5, 5/6, 8/9, 9/10 QPSK-S2: 1/2, 2/3, 3/4, 3/5, 4/5, 5/6, 8/9, 9/10 8PSK: 2/3, 3/4, 3/5, 5/6, 8/9, 9/10	Auto - QPSK-S: 1/2, 2/3, 3/4, 3/5, 5/6, 8/9, 9/10 QPSK-S2: 1/2, 2/3, 3/4, 3/5, 4/5, 5/6, 8/9, 9/10 8PSK: 2/3, 3/4, 3/5, 5/6, 8/9, 9/10	○
DVB-C Front end			
Input frequency (MHz)	47 - 862 VHF & UHF	47 - 862 VHF & UHF	47 - 862 VHF & UHF
Input level / Impedance	47 - 70dbµV / 75 Ohm	47 - 70dbµV / 75 Ohm	47 - 70dbµV / 75 Ohm
Demodulation / Symbol rate Ms/s	QAM 16/32/64/128/256 demodulation support (EN 300 429) 4.0...7.2 Msymbols/s		
Video Decoder			
MPEG profiles	MP@ML, MP@HL, MPEG4 AVC H.264 HP@L4.0	MP@ML, MP@HL, MPEG4 AVC H.264 HP@L4.0	MP@ML, MP@HL, MPEG4 AVC H.264 HP@L4.0
Resolution	576i, 576p, 720p, 1080i, 1080p	576i, 576p, 720p, 1080i, 1080p	576i, 576p, 720p, 1080i, 1080p
OSD colors	Fitting to TV-OSD	Fitting to TV-OSD	Fitting to TV-OSD
Picture formats	Auto (WSS), 4:3 / 14:9 / 16:9 / Panorama / Letterbox / Subtitle	Auto (WSS), 4:3 / 14:9 / 16:9 / Panorama / Letterbox / Subtitle	Auto (WSS), 4:3 / 14:9 / 16:9 / Panorama / Letterbox / Subtitle
Audio Decoder			
Profiles	MPEG 4 , MPEG 2 layer I & II	MPEG 4 , MPEG 2 layer I & II	MPEG 4 , MPEG 2 layer I & II
AC 3 Output	SP/DIF	SP/DIF	SP/DIF
Modes	Mono, Dual Mono, Stereo, Joint Stereo	Mono, Dual Mono, Stereo, Joint Stereo	Mono, Dual Mono, Stereo, Joint Stereo
Software			
Service information processing	Dynamic PMT	Dynamic PMT	Dynamic PMT
DVB subtitles	●	●	●
Over air download (OTA)	DVB enhanced profile	DVB enhanced profile	DVB enhanced profile
Navigator	via menu	via menu	via menu
Last station memory	from stand-by, as TV	from stand-by, as TV	from stand-by, as TV
Favourite mode	4x free	4x free	4x free
Mute function	●	●	●
Swap function	●	●	●
USB part			
Recording	●	●	●
Divx + HD	●	●	●
Repeat	●	●	●
File browser	●	●	●
Video file resolution (max.)	1920 x 1080	1920 x 1080	1920 x 1080
Supported files	.m4a, .wma, .aac, .jpg, .jpe, .bmp, .png, .mov, .divx, .mpg, .mpe, .vob, .dat, .trp, .ts, .avi, .mp4, .mkv, .div	.m4a, .wma, .aac, .jpg, .jpe, .bmp, .png, .mov, .divx, .mpg, .mpe, .vob, .dat, .trp, .ts, .avi, .mp4, .mkv, .div	.m4a, .wma, .aac, .jpg, .jpe, .bmp, .png, .mov, .divx, .mpg, .mpe, .vob, .dat, .trp, .ts, .avi, .mp4, .mkv, .div
Supported subtitles	SRT, SSA, ASS, SMI, Video SUB	SRT, SSA, ASS, SMI, Video SUB	SRT, SSA, ASS, SMI, Video SUB
POWER SUPPLY / CABINET			
Power voltage	230V, 50Hz; in accordance to IEC 65	230V, 50Hz; in accordance to IEC 65	230V, 50Hz; in accordance to IEC 65
Range of regulation	140V - 265V	140V - 265V	140V - 265V
Integrated supply	●	●	●
Energy class	A	A	A
Power consumption	82W, 0,50W Standby, 120kWh annual on-mode energy consumption	82W, 0,50W Standby, 120kWh annual on-mode energy consumption	82W, 0,50W Standby, 120kWh annual on-mode energy consumption
Cabinet (WxHxD, cm)	108,3x66,6x4,3cm	108,3x66,6x4,3cm	108,3x66,6x4,3cm
Cabinet with stand (WxHxD, cm)	108,3x71,5x24,4cm	108,3x71,5x24,4cm	108,3x71,5x24,4cm
Weight (netto)	ca. 25,0kg	ca. 25,0kg	ca. 25,0kg
REAR PANEL CONNECTIONS			
Euro-AV-socket AV1	Full wired	Full wired	Full wired
S-Video	Hosiden	via Euro AV	Hosiden
Camera-AV	3x Cinch socket in	3x Cinch socket in	3x Cinch socket in
YUV input / progressive	Video-in: 3 x Cinch, Audio-in: 2 x Cinch	Video-in: 3 x Cinch, Audio-in: 2 x Cinch	Video-in: 3 x Cinch, Audio-in: 2 x Cinch
LAN	●	●	●
PC-input	WXGA	WXGA	WXGA
PC-Audio in	●	●	●
HDMI	4x	4x	4x
HD ready including HDCP	via HDMI	via HDMI	via HDMI
Common Interface	1 slot	1 slot	1 slot
Headphones	3.5mm jack	3.5mm jack	3.5mm jack
Digital Audio out optical (SPDIF)	●	●	●
Audio out	●	●	●
USB	2 x USB 2.0	2 x USB 2.0	2 x USB 2.0
Antenna for terrestrial reception	1 x Coaxial-socket for TV-tuner-in, according to DIN 45325	1 x Coaxial-socket for TV-tuner-in, according to DIN 45325	1 x Coaxial-socket for TV-tuner-in, according to DIN 45325
Antenna for satellite reception	1 x F-connector	1 x F-connector	○
Power supply plug	●	●	○
SUPPLIED ACCESSORIES			
Wi-Fi Dongle	○	○	○
Remote control (incl. battery)	TP 7 black	TP 7 black	TP 8 black & Comfort Remote
3D Glasses	○	○	x 2
Power cord	grounded	grounded	grounded
Instruction manual	●	●	●
Wall fixture	Prepared for VESA standard adaptor 400 x 400	Prepared for VESA standard adaptor 400 x 400	Prepared for VESA standard adaptor 400 x 400
Stand	swivel type glass stand	swivel type glass stand	swivel type glass stand
Cleaning tissue	●	●	●

## Technische Daten / Technical Data 46"

	Rom 46 CLE 8235 BL	Rom 46 CLE 8270 BP
Order No.	LEJ000	KSE000
Product Code	LEJ	KSE
Destination	D, A	Nordic Countries
Approbations	CE	CE
IM-Languages	D,GB	D,DK,N,S,FIN,HR
IM-Languages 2		EL
Remote control	TP7-YF1	TP7-YF1
EAN	40 13833-63188 0	40 13833-63009 8
Color	glossy black/silver	glossy black
<b>DISPLAY</b>		
Panel	46" / 117cm	46" / 117cm
Backlight	EDGE LED	EDGE LED
Wide-screen format	●	●
3D	○	Active shutter
Dynamic contrast	Dynamic Contrast Plus	Dynamic Contrast Plus
Picture Perfection rate	400Hz	400Hz
Physical display resolution max. pixel	WUXGA 1920 x 1080 (full HD)	WUXGA 1920 x 1080 (full HD)
<b>PICTURE</b>		
Motion Picture Improvement	●	●
Motion Adaptive Deinterlacing	3D DeInterlacer	3D DeInterlacer
Full HD	●	●
HD-TV 1080p	●	●
Line Flicker Reduction	●	●
Digital Color Transition Improv. (DCTI)	●	●
Digital Combfilter	3D	3D
Digital Luminance Transition Improv. (DLTI)	●	●
Picture Noise Reduction	●	●
Preset picture modes	user, vivid, natural, movie, sports	user, vivid, natural, movie, sports
Aspect ratios (Format switching)	Auto (WSS), 4:3 / 16:9 / 14:9 / LetterBox / Subtitle / Panorama	Auto (WSS), 4:3 / 16:9 / 14:9 / LetterBox / Subtitle / Panorama
PAT: Split screen (PICTURE + TEXT)	●	●
Picture freezing	●	●
Zoom with point function	●	●
Auto 16:9 selection via Scart	●	●
Sharpness control	●	●
Blue Background	●	●
<b>AUDIO</b>		
Mono/Stereo/Nicam	● / ● / ●	● / ● / ●
AV Stereo	●	●
Loudspeaker	2 wide band at the front side	2 wide band at the front side
SRS	TruSurround HD	TruSurround HD
Dolby digital	●	●
Subwoofer	●	●
Balance Adjustment	●	●
AVL (Audio Volume Level)	●	●
Equalizer	5 Band	5 Band
Space Sound Effect	●	●
Sound preset	cinema, music, sport, speech, user	cinema, music, sport, speech, user
Audio amplifier	2 x 10/20W nominal/music power (R/L)	2 x 10/20W nominal/music power (R/L)
<b>CHASSIS</b>		
TV-Chassis	TP	TP
Tuner	PLL frequency synthesizer tuning	PLL frequency synthesizer tuning
Scaler	Sapphire 13+	Sapphire 13+
Keyboard	7 keys: +/- Programm, Source / Menu, +/- Volume, stand-by	7 keys: +/- Programm, Source / Menu, +/- Volume, stand-by
<b>ELECTRONIC</b>		
DLNA	●	●
Stand by indicator	blue LED	blue LED
EPG (Electronic Programme Guide)	7 days via DVB-T, DVB-C, DVB-S2	7 days via DVB-T, DVB-T2, DVB-C, DVB-S2
Manual & autom. labeling of prog.	●	●
Programmable off timer	●	●
Programmable on timer	●	●
Intelligent channel search (Zapping funct.)	●	●
Programme Edit	●	●
Programme memory TV/AV (opt.)	100 Analog / 1000 T / 1000 C / 6000 S2 / AV	100 Analog / 1000 T / 1000 T2 / 1000 C / 6000 S2 / AV
Teletext/Fasttext/Toptext	● / ● / ●	● / ● / ●
Teletext options	1000 pages	1000 pages
Childlock	●	●
Menue languages OSD	24 languages, D, GB, F, I, E, P, NL, DK, S, FIN, N, TR, GR, PL, CZ, SK, SLO, H, RUS, RO, BG, HR, LT, EE	24 languages, D, GB, F, I, E, P, NL, DK, S, FIN, N, TR, GR, PL, CZ, SK, SLO, H, RUS, RO, BG, HR, LT, EE
OSD-style	OEM-style with Grundig look	OEM-style with Grundig look
Service mode	●	●
Game mode	presets (user changeable) for sound and picture in HDMI-, Component- and PC-mode	presets (user changeable) for sound and picture in HDMI-, Component- and PC-mode
Hotel mode	Simple hotel mode possible via service adjustment	Simple hotel mode possible via service adjustment
Digi Link	●	○
Digi Link (HDMI CEC 1.3)	○	●
Special feature	○	○
<b>INTERNET APPLICATIONS</b>		
WLAN internal / external	● / ○	● / ○
DLNA	●	●
Facebook	●	●
Twitter	●	●
Picasa	●	●
Flickr	●	●
Youtube	●	●
V-Tuner	●	●
funspot	●	●
tripadvisor	●	●
HRS	●	●
Aphoteken	●	●
Arzt suche	●	●
BonGusto	●	●
Laufen.de	●	●
Yogamour	●	●
Automotorsport	●	●
Reuters	●	●
Bild.de	●	●
Worldweatheronline	●	●
Goal 7/24	●	●
Acetrax	●	●
Viewster	●	●
Flixster	●	●
<b>TUNING</b>		
Autom. Tuning System with country select.	full automatic sorting	full automatic sorting
Frequency Based Auto Search	●	●
Automatic Micro-search	●	●
Manual fine tuning	●	●
Direct channel selection	●	●
Direct frequency selection	For cable tuning can be done by entering the frequency (MHz) in digital search menu	For cable tuning can be done by entering the frequency (MHz) in digital search menu
PAL/SECAM/BG/DK/L/L/L	●	●
NTSC-Playback via Scart (3,58/4,43)	●	●
Cable TV / Hyperband (S1-S41)	●	●

	Rom 46 CLE 8235 BL	Rom 46 CLE 8270 BP
DVB reception		
Fully compliant to	EN 300 744 & revised NorDig II spec (regarding DVB-T front end performance)	
Automatic/manual channel search	● / ● - ATS type sorting & LCN type sorting	● / ● - ATS type sorting & LCN type sorting
EPG (SI based)	●	●
7 Day Electronic Programme Guide	●	●
- 8 Day Electronic Programme Guide	○	○
- now/next	●	●
- scheduled	If broadcasted	If broadcasted
- Extended Event Info	If broadcasted	If broadcasted
- Short Event Info	If broadcasted	If broadcasted
TV/Radio programmes	1000	1000
OSD languages	Same as analogue languages	Same as analogue languages
Teletext VBI insertion	or decoding	or decoding
VPS - VBI insertion	PDC based	PDC based
Programme table	full automatic sorting	full automatic sorting
Factory station list	●	●
Common Interface	●	●
CI +	●	●
DVB-T2 Front end		
Input frequency range	○	177 - 862 VHF & UHF
Input level / Impedance	○	-75 to -35dBm / 75Ohm
Modulation	○	QPSK, 16QAM, 64QAM, 256QAM
FEC MODE	○	LDPC + BCH 1/2, 3/5, 2/3, 3/4, 4/5, 5/6
DVB-T Front end		
Input frequency (MHz) / Loop through	177 - 862 VHF & UHF / ○	177 - 862 VHF & UHF / ○
Input level / Impedance	-80 to 20dBm / 75 Ohm	-80 to 20dBm / 75 Ohm
Modulation	COFDM 2/8 QPSK 16/64 QAM	COFDM 2/8 QPSK 16/64 QAM
FEC	1/2, 2/3, 3/4, 5/6, 7/8	1/2, 2/3, 3/4, 5/6, 7/8
Activ antenna support	○	○
Hierarchical modulation	Hierarchical - non hierarchical	Hierarchical - non hierarchical
DVB-S2 Front end		
Input frequency range	950 MHz to 2150 MHz	950 MHz to 2150 MHz
Signal level	-25 to -80dBm (Only for DVB-S) -25 to -70dBm (Only for DVB-S2)	-25 to -80dBm (Only for DVB-S) -25 to -70dBm (Only for DVB-S2)
Demodulation	QPSK, 8PSK	QPSK, 8PSK
Input symbol rate	1 - 45 Msps for DVB-S 5 - 30 Msps for DVB-S2	1 - 45 Msps for DVB-S 5 - 30 Msps for DVB-S2
DiseqC 1.2 support	●	●
LNB power & Polarization	13/18V Selection / Vertical 22 KHz generation - Overload Protection	13/18V Selection / Vertical 22 KHz generation - Overload Protection
FEC MODE	Auto - QPSK-S: 1/2, 2/3, 3/4, 3/5, 5/6, 8/9, 9/10 QPSK-S2: 1/2, 2/3, 3/4, 3/5, 4/5, 5/6, 8/9, 9/10 8PSK: 2/3, 3/4, 3/5, 5/6, 8/9, 9/10	Auto - QPSK-S: 1/2, 2/3, 3/4, 3/5, 5/6, 8/9, 9/10 QPSK-S2: 1/2, 2/3, 3/4, 3/5, 4/5, 5/6, 8/9, 9/10 8PSK: 2/3, 3/4, 3/5, 5/6, 8/9, 9/10
DVB-C Front end		
Input frequency (MHz)	47 - 862 VHF & UHF	47 - 862 VHF & UHF
Input level / Impedance	47 - 70dBuV / 75 Ohm	47 - 70dBuV / 75 Ohm
Demodulation / Symbol rate Ms/s	QAM 16/32/64/128/256 demodulation support (EN 300 429) 4.0...7.2 Msymbols/s	
Video Decoder		
MPEG profiles	MP@ML, MP@HL, MPEG4 AVC H.264 HP@L4.0	MP@ML, MP@HL, MPEG4 AVC H.264 HP@L4.0
Resolution	576i, 576p, 720p, 1080i, 1080p	576i, 576p, 720p, 1080i, 1080p
OSD colors	Fitting to TV-OSD	Fitting to TV-OSD
Picture formats	Auto (WSS), 4:3 / 14:9 / 16:9 / Panorama / Letterbox / Subtitle	Auto (WSS), 4:3 / 14:9 / 16:9 / Panorama / Letterbox / Subtitle
Audio Decoder		
Profiles	MPEG 4, MPEG 2 layer I & II	MPEG 4, MPEG 2 layer I & II
AC 3 Output	SP/DIF	SP/DIF
Modes	Mono, Dual Mono, Stereo, Joint Stereo	Mono, Dual Mono, Stereo, Joint Stereo
Software		
Service information processing	Dynamic PMT	Dynamic PMT
DVB subtitling	●	●
Over air download (OTA)	DVB enhanced profile	DVB enhanced profile
Navigator	via menu	via menu
Last station memory	from stand-by, as TV	from stand-by, as TV
Favourite mode	4x free	4x free
Mute function	●	●
Swap function	●	●
USB part		
Recording	●	●
Divx + HD	●	●
Repeat	●	●
File browser	●	●
Video file resolution (max.)	1920 x 1080	1920 x 1080
Supported files	.m4a, .wma, .aac, .jpg, .jpe, .bmp, .png, .mov, .divx, .mpg, .mpe, .vob, .dat, .trp, .ts, .avi, .mp4, .mkv, .div	.m4a, .wma, .aac, .jpg, .jpe, .bmp, .png, .mov, .divx, .mpg, .mpe, .vob, .dat, .trp, .ts, .avi, .mp4, .mkv, .div
Supported subtitles	SRT, SSA, ASS, SMI, Video SUB	SRT, SSA, ASS, SMI, Video SUB
POWER SUPPLY / CABINET		
Power voltage	230V, 50Hz; in accordance to IEC 65	230V, 50Hz; in accordance to IEC 65
Range of regulation	140V - 265V	140V - 265V
Integrated supply	●	●
Energy class	A	A
Power consumption	82W, 0.50W Standby, 120kWh annual on-mode energy consumption	82W, 0.50W Standby, 120kWh annual on-mode energy consumption
Cabinet (WxHxD, cm)	108,3x66,6x4,3cm	108,3x66,6x4,3cm
Cabinet with stand (WxHxD, cm)	108,3x71,5x24,4cm	108,3x71,5x24,4cm
Weight (netto)	ca. 20kg	ca. 25.0kg
REAR PANEL CONNECTIONS		
Euro-AV-Socket AV1	Full wired	Full wired
S-Video	Hosiden	Hosiden
Camera-AV	3x Cinch socket in	3x Cinch socket in
YUV input / progressive	Video-in: 3 x Cinch, Audio-in: 2 x Cinch	Video-in: 3 x Cinch, Audio-in: 2 x Cinch
LAN	●	●
PC-input	WXGA	WXGA
PC-Audio in	●	●
HDMI	4x	4x
HD ready including HDCP	via HDMI	via HDMI
Common Interface	1 slot	1 slot
Headphones	3.5mm jack	3.5mm jack
Digital Audio out optical (SPDIF)	●	●
Audio out	●	●
USB	2 x USB 2.0	2 x USB 2.0
Antenna for terrestrial reception	1 x Coaxial-socket for TV-tuner-in, according to DIN 45325	1 x Coaxial-socket for TV-tuner-in, according to DIN 45325
Antenna for satellite reception	1 x F-connector	1 x F-connector
Power supply plug	●	●
SUPPLIED ACCESSORIES		
Wi-Fi Dongle	○	○
Remote control (incl. battery)	TP 7 black & Comfort Remote	TP 7 black & Comfort Remote
3D Glasses	○	x 2
Power cord	grounded	grounded
Instruction manual	●	●
Wall fixture	Prepared for VESA standard adaptor 400 x 400	Prepared for VESA standard adaptor 400 x 400
Stand	swivel type glass stand	swivel type glass stand
Cleaning tissue	●	●

Technische Daten / Technical Data 55"

	55 VLE 9270 BH	55 VLE 9270 BL	55 VLE 9270 SL
Order No.	KXS000/KWK000/KWW000	LCL000	KYF000
Product Code	KXS, KWK, KWW	LCL	KYF
Destination	France, Italy, MEA	D, A	D, A
Approbations	CE	CE	CE
IM-Languages	D,GB,F,NL,S,P	D,GB	D,GB
IM-Languages 2			
Remote control	TP7-YF1	TP7	TP7
EAN	40 13833-63069 2/ -63047 0/ -63058 6	40 13833-63140 8	40 13833-63083 8
Color	glossy black/glossy black/glossy black	glossy black	silver
<b>DISPLAY</b>			
Panel	55" / 140cm	55" / 140cm	55" / 140cm
Backlight	EDGE LED	EDGE LED	EDGE LED
Wide-screen format	●	●	●
3D	Passive	Passive	Passive
Dynamic contrast	Dynamic Contrast Plus	Dynamic Contrast Plus	Dynamic Contrast Plus
Picture Perfection rate	400Hz	400Hz	400Hz
Physical display resolution max. pixel	WUXGA 1920 x 1080 (full HD)	WUXGA 1920 x 1080 (full HD)	WUXGA 1920 x 1080 (full HD)
<b>PICTURE</b>			
Motion Picture Improvement	●	●	●
Motion Adaptive Deinterlacing	3D Deinterlacer	3D Deinterlacer	3D Deinterlacer
Full HD	●	●	●
HD-TV 1080p	○	○	○
Line Flicker Reduction	●	●	●
Digital Color Transition Improv. (DCTI)	●	●	●
Digital Combfilter	3D	3D	3D
Digital Luminance Transition Improv. (DLTI)	●	●	●
Picture Noise Reduction	●	●	●
Preset picture modes	user, vivid, natural, movie, sports	user, vivid, natural, movie, sports	user, vivid, natural, movie, sports
Aspect ratios (Format switching)	Auto (WSS), 4:3 / 16:9 / 14:9 / LetterBox / Subtitle / Panorama	Auto (WSS), 4:3 / 16:9 / 14:9 / LetterBox / Subtitle / Panorama	Auto (WSS), 4:3 / 16:9 / 14:9 / LetterBox / Subtitle / Panorama
PAT: Split screen (PICTURE + TEXT)	●	●	●
Picture freezing	●	●	●
Zoom with point function	●	●	●
Auto 16:9 selection via Scart	●	●	●
Sharpness control	●	●	●
Blue Background	●	●	●
<b>AUDIO</b>			
Mono/Stereo/Nicam	● / ● / ●	● / ● / ●	● / ● / ●
AV Stereo	●	●	●
Loudspeaker	2 wide band at the front side	2 wide band at the front side	2 wide band at the front side
SRS	TruSurround HD	TruSurround HD	TruSurround HD
Dolby digital	●	●	●
Subwoofer	●	●	●
Balance Adjustment	●	●	●
AVL (Audio Volume Level)	●	●	●
Equalizer	5 Band	5 Band	5 Band
Space Sound Effect	●	●	●
Sound preset	natural, music, sport, speech, user	natural, music, sport, speech, user	natural, music, sport, speech, user
Audio amplifier	2 x 15/30W nominal/music power (R/L)	2 x 15/30W nominal/music power (R/L)	2 x 15/30W nominal/music power (R/L)
<b>CHASSIS</b>			
TV-Chassis	TP	TP	TP
Tuner	PLL frequency synthesizer tuning	PLL frequency synthesizer tuning	PLL frequency synthesizer tuning
Scaler	Sapphire 13+	Sapphire 13+	Sapphire 13+
Keyboard	7 keys: +/- Programm, Source / Menu, +/- Volume, stand-by	7 keys: +/- Programm, Source / Menu, +/- Volume, stand-by	7 keys: +/- Programm, Source / Menu, +/- Volume, stand-by
<b>ELECTRONIC</b>			
DLNA	○	○	○
Stand by indicator	blue LED	blue LED	blue LED
EPG (Electronic Programme Guide)	7 days via DVB-T, DVB-C	7 days via DVB-T, DVB-C, DVB-S2	7 days via DVB-T, DVB-C, DVB-S2
Manual & autom. labeling of prog.	●	●	●
Programmable off timer	●	●	●
Programmable on timer	●	●	●
Intelligent channel search (Zapping funct.)	●	●	●
Programme Edit	●	●	●
Programme memory TV/AV (opt.)	100 Analog / 1000 T / 1000 C / AV	100 Analog / 1000 T / 1000 C / 6000 S2 / AV	100 Analog / 1000 T / 1000 C / 6000 S2 / AV
Teletext/Fasttext/Toptext	● / ● / ●	● / ● / ●	● / ● / ●
Teletext options	1000 pages	1000 pages	1000 pages
Childlock	●	●	●
Menue languages OSD	24 languages, D, GB, F, I, E, P, NL, DK, S, FIN, N, TR, GR, PL, CZ, SK, SLO, H, RUS, RO, BG, HR, LT, EE		
OSD-style	OEM-style with Grundig look	OEM-style with Grundig look	OEM-style with Grundig look
Service mode	●	●	●
Game mode	presets (user changeable) for sound and picture in HDMI-, Component- and PC-mode		
Hotel mode	Simple hotel mode possible via service adjustment	Simple hotel mode possible via service adjustment	Simple hotel mode possible via service adjustment
Digi Link	○	○	○
Digi Link (HDMI CEC 1.3)	●	●	●
Special feature	○	○	○
<b>INTERNET APPLICATIONS</b>			
WLAN internal / external	● / ○	● / ○	● / ○
DLNA	●	●	●
Facebook	●	●	●
Twitter	●	●	●
Picasa	●	●	●
Flickr	●	●	●
Youtube	●	●	●
V-Tuner	●	●	●
funspot	●	●	●
tripadvisor	●	●	●
HRS	●	●	●
Aphoteken	●	●	●
Arzt suche	●	●	●
BonGusto	●	●	●
Laufen.de	●	●	●
Yogamour	●	●	●
Automotorsport	●	●	●
Reuters	●	●	●
Bild.de	●	●	●
Worldweatheronline	●	●	●
Goal 7/24	●	●	●
Acetrax	●	●	●
Viewster	●	●	●
Flixster	●	●	●
<b>TUNING</b>			
Autom. Tuning System with country select.	full automatic sorting	full automatic sorting	full automatic sorting
Frequency Based Auto Search	●	●	●
Automatic Micro-search	●	●	●
Manual fine tuning	●	●	●
Direct channel selection	●	●	●
Direct frequency selection	For cable tuning can be done by entering the frequency (MHz) in digital search menu		
PAL/SECAM/BG/DK/L/L/L	●	●	●
NTSC-Playback via Scart (3,58/4,43)	●	●	●
Cable TV / Hyperband (S1-S41)	●	●	●

	55 VLE 9270 BH	55 VLE 9270 BL	55 VLE 9270 SL
DVB reception			
Fully compliant to	EN 300 744 & revised NorDig II spec (regarding DVB-T front end performance)		
Automatic/manual channel search	● / ● - ATS type sorting & LCN type sorting	● / ● - ATS type sorting & LCN type sorting	● / ● - ATS type sorting & LCN type sorting
EPG (SI based)	●	●	●
7 Day Electronic Programme Guide	●	●	●
- 8 Day Electronic Programme Guide	○	○	○
- now/next	●	●	●
- scheduled	If broadcasted	If broadcasted	If broadcasted
- Extended Event Info	If broadcasted	If broadcasted	If broadcasted
- Short Event Info	If broadcasted	If broadcasted	If broadcasted
TV/Radio programmes	1000	1000	1000
OSD languages	Same as analogue languages	Same as analogue languages	Same as analogue languages
Teletext VBI insertion	or decoding	or decoding	or decoding
VPS - VBI insertion	PDC based	PDC based	PDC based
Programme table	full automatic sorting	full automatic sorting	full automatic sorting
Factory station list	●	●	●
Common Interface	●	●	●
CI +	●	●	●
DVB-T2 Front end			
Input frequency range	○	○	○
Input level / Impedance	○	○	○
Modulation	○	○	○
FEC MODE	○	○	○
DVB-T Front end			
Input frequency (MHz) / Loop through	177 - 862 VHF & UHF / ○	177 - 862 VHF & UHF / ○	177 - 862 VHF & UHF / ○
Input level / Impedance	-80 to 20dBm / 75 Ohm	-80 to 20dBm / 75 Ohm	-80 to 20dBm / 75 Ohm
Modulation	COFDM 2/8 QPSK 16/64 QAM	COFDM 2/8 QPSK 16/64 QAM	COFDM 2/8 QPSK 16/64 QAM
FEC	1/2, 2/3, 3/4, 5/6, 7/8	1/2, 2/3, 3/4, 5/6, 7/8	1/2, 2/3, 3/4, 5/6, 7/8
Activ antenna support	●	●	●
Hierarchical modulation	Hierarchical - non hierarchical	Hierarchical - non hierarchical	Hierarchical - non hierarchical
DVB-S2 Front end			
Input frequency range	○	950 MHz to 2150 MHz	950 MHz to 2150 MHz
Signal level	○	-25 to -80dBm (Only for DVB-S) -25 to -70dBm (Only for DVB-S2)	-25 to -80dBm (Only for DVB-S) -25 to -70dBm (Only for DVB-S2)
Demodulation	○	QPSK, 8PSK	QPSK, 8PSK
Input symbol rate	○	1 - 45 Msps for DVB-S 5 - 30 Msps for DVB-S2	1 - 45 Msps for DVB-S 5 - 30 Msps for DVB-S2
DiseqC 1.2 support	○	●	●
LNB power & Polarization	○	13/18V Selection / Vertical 22 KHz generation - Overload Protection	13/18V Selection / Vertical 22 KHz generation - Overload Protection
FEC MODE	○	Auto - QPSK-S: 1/2, 2/3, 3/4, 5/6, 8/9, 9/10 QPSK-S2: 1/2, 2/3, 3/4, 5/6, 8/9, 9/10 8PSK: 2/3, 3/4, 5/6, 8/9, 9/10	Auto - QPSK-S: 1/2, 2/3, 3/4, 5/6, 8/9, 9/10 QPSK-S2: 1/2, 2/3, 3/4, 5/6, 8/9, 9/10 8PSK: 2/3, 3/4, 5/6, 8/9, 9/10
DVB-C Front end			
Input frequency (MHz)	47 - 862 VHF & UHF	47 - 862 VHF & UHF	47 - 862 VHF & UHF
Input level / Impedance	47 - 70dbµV / 75 Ohm	47 - 70dbµV / 75 Ohm	47 - 70dbµV / 75 Ohm
Demodulation / Symbol rate Ms/s	QAM 16/32/64/128/256 demodulation support (EN 300 429) 4.0...7.2 Msymbols/s		
Video Decoder			
MPEG profiles	MP@ML, MP@HL, MPEG4 AVC H.264 HP@L4.0	MP@ML, MP@HL, MPEG4 AVC H.264 HP@L4.0	MP@ML, MP@HL, MPEG4 AVC H.264 HP@L4.0
Resolution	576i, 576p, 720p, 1080i, 1080p	576i, 576p, 720p, 1080i, 1080p	576i, 576p, 720p, 1080i, 1080p
OSD colors	Fitting to TV-OSD	Fitting to TV-OSD	Fitting to TV-OSD
Picture formats	Auto (WSS), 4:3 / 14:9 / 16:9 / Panorama / Letterbox / Subtitle	Auto (WSS), 4:3 / 14:9 / 16:9 / Panorama / Letterbox / Subtitle	Auto (WSS), 4:3 / 14:9 / 16:9 / Panorama / Letterbox / Subtitle
Audio Decoder			
Profiles	MPEG 4 , MPEG 2 layer I & II	MPEG 4 , MPEG 2 layer I & II	MPEG 4 , MPEG 2 layer I & II
AC 3 Output	SP/DIF	SP/DIF	SP/DIF
Modes	Mono, Dual Mono, Stereo, Joint Stereo	Mono, Dual Mono, Stereo, Joint Stereo	Mono, Dual Mono, Stereo, Joint Stereo
Software			
Service information processing	Dynamic PMT	Dynamic PMT	Dynamic PMT
DVB subtitles	●	●	●
Over air download (OTA)	DVB enhanced profile	DVB enhanced profile	DVB enhanced profile
Navigator	via menu	via menu	via menu
Last station memory	from stand-by, as TV	from stand-by, as TV	from stand-by, as TV
Favourite mode	4x free	4x free	4x free
Mute function	●	●	●
Swap function	●	●	●
USB part			
Recording	●	●	●
Divx + HD	●	●	●
Repeat	●	●	●
File browser	●	●	●
Video file resolution (max.)	1920 x 1080	1920 x 1080	1920 x 1080
Supported files	.m4a, .wma, .aac, .jpg, .jpe, .bmp, .png, .mov, .divx, .mpg, .mpe, .vob, .dat, .trp, .ts, .avi, .mp4, .mkv, .div	.m4a, .wma, .aac, .jpg, .jpe, .bmp, .png, .mov, .divx, .mpg, .mpe, .vob, .dat, .trp, .ts, .avi, .mp4, .mkv, .div	.m4a, .wma, .aac, .jpg, .jpe, .bmp, .png, .mov, .divx, .mpg, .mpe, .vob, .dat, .trp, .ts, .avi, .mp4, .mkv, .div
Supported subtitles	SRT, SSA, ASS, SMI, Video SUB	SRT, SSA, ASS, SMI, Video SUB	SRT, SSA, ASS, SMI, Video SUB
POWER SUPPLY / CABINET			
Power voltage	230V, 50Hz; in accordance to IEC 65	230V, 50Hz; in accordance to IEC 65	230V, 50Hz; in accordance to IEC 65
Range of regulation	140V - 265V	140V - 265V	140V - 265V
Integrated supply	●	●	●
Energy class	A	A	A
Power consumption	113W, 0,50W Standby, 165kWh annual on-mode energy consumption	113W, 0,50W Standby, 165kWh annual on-mode energy consumption	113W, 0,50W Standby, 165kWh annual on-mode energy consumption
Cabinet (WxHxD, cm)	125,8x74,6x5,2cm	125,8x74,6x5,2cm	125,8x74,6x5,2cm
Cabinet with stand (WxHxD, cm)	125,8x80x31cm	125,8x80x31cm	125,8x80x31cm
Weight (netto)	ca. 30kg	ca. 30kg	ca. 30kg
REAR PANEL CONNECTIONS			
Euro-AV-socket AV1	Full wired	Full wired	Full wired
S-Video	via Euro AV	via Euro AV	via Euro AV
Camera-AV	3x Cinch socket in	3x Cinch socket in	3x Cinch socket in
YUV input / progressive	Video-in: 3 x Cinch, Audio-in: 2 x Cinch	Video-in: 3 x Cinch, Audio-in: 2 x Cinch	Video-in: 3 x Cinch, Audio-in: 2 x Cinch
LAN	●	●	●
PC-input	WXGA	WXGA	WXGA
PC-Audio in	●	●	●
HDMI	4x	4x	4x
HD ready including HDCP	via HDMI	via HDMI	via HDMI
Common Interface	1 slot	1 slot	1 slot
Headphones	3.5mm jack	3.5mm jack	3.5mm jack
Digital Audio out optical (SPDIF)	●	●	●
Audio out	●	●	●
USB	2 x USB 2.0	2 x USB 2.0	2 x USB 2.0
Antenna for terrestrial reception	1 x Coaxial-socket for TV-tuner-in, according to DIN 45325	1 x Coaxial-socket for TV-tuner-in, according to DIN 45325	1 x Coaxial-socket for TV-tuner-in, according to DIN 45325
Antenna for satellite reception	○	1 x F-connector	1 x F-connector
Power supply plug	●	●	●
SUPPLIED ACCESSORIES			
Wi-Fi Dongle	○	○	○
Remote control (incl. battery)	TP 7 black & Comfort Remote	TP 7 black	TP 7 black
3D Glasses	x 6	x 6	x 6
Power cord	grounded	grounded	grounded
Instruction manual	●	●	●
Wall fixture	Prepared for VESA standard adaptor 400 x 400	Prepared for VESA standard adaptor 400 x 400	Prepared for VESA standard adaptor 400 x 400
Stand	swivel type glass stand	swivel type glass stand	swivel type glass stand
Cleaning tissue	●	●	●

Technische Daten / Technical Data 55"

	55 VLE 9270 WL	55 VLE 9271 BL	55 VLE 9275 BP
Order No.	LCM000	LET000	LEZ000
Product Code	LCM	LET	LEZ
Destination	D, A	France	Nordic
Approbations	CE	CE	CE
IM-Languages	D,GB	D,GB,F,NL,S,P	D,GB,DK,N,S,FIN
IM-Languages 2			
Remote control	TP7	TP7-YF1	TP7
EAN	40 13833-63141 5	40 13833-63197 2	40 13833-63202 3
Color	glossy white	glossy black	glossy black
<b>DISPLAY</b>			
Panel	55" / 140cm	55" / 140cm	55" / 140cm
Backlight	EDGE LED	EDGE LED	EDGE LED
Wide-screen format	●	●	●
3D	Passive	Passive	Passive
Dynamic contrast	Dynamic Contrast Plus	Dynamic Contrast Plus	Dynamic Contrast Plus
Picture Perfection rate	400Hz	400Hz	400Hz
Physical display resolution max. pixel	WUXGA 1920 x 1080 (full HD)	WUXGA 1920 x 1080 (full HD)	WUXGA 1920 x 1080 (full HD)
<b>PICTURE</b>			
Motion Picture Improvement	●	●	●
Motion Adaptive Deinterlacing	3D Deinterlacer	3D Deinterlacer	3D Deinterlacer
Full HD	●	●	●
HD-TV 1080p	○	○	○
Line Flicker Reduction	●	●	●
Digital Color Transition Improv. (DCTI)	●	●	●
Digital Combfilter	3D	3D	3D
Digital Luminance Transition Improv. (DLTI)	●	●	●
Picture Noise Reduction	●	●	●
Preset picture modes	user, vivid, natural, movie, sports	user, vivid, natural, movie, sports	user, vivid, natural, movie, sports
Aspect ratios (Format switching)	Auto (WSS), 4:3 / 16:9 / 14:9 / LetterBox / Subtitle / Panorama	Auto (WSS), 4:3 / 16:9 / 14:9 / LetterBox / Subtitle / Panorama	Auto (WSS), 4:3 / 16:9 / 14:9 / LetterBox / Subtitle / Panorama
PAT: Split screen (PICTURE + TEXT)	●	●	●
Picture freezing	●	●	●
Zoom with point function	●	●	●
Auto 16:9 selection via Scart	●	●	●
Sharpness control	●	●	●
Blue Background	●	●	●
<b>AUDIO</b>			
Mono/Stereo/Nicam	● / ● / ●	● / ● / ●	● / ● / ●
AV Stereo	●	●	●
Loudspeaker	2 wide band at the front side	2 wide band at the front side	2 wide band at the front side
SRS	TruSurround HD	TruSurround HD	TruSurround HD
Dolby digital	●	●	●
Subwoofer	●	●	●
Balance Adjustment	●	●	●
AVL (Audio Volume Level)	●	●	●
Equalizer	5 Band	5 Band	5 Band
Space Sound Effect	●	●	●
Sound preset	natural, music, sport, speech, user	natural, music, sport, speech, user	natural, music, sport, speech, user
Audio amplifier	2 x 15/30W nominal/music power (R/L)	2 x 15/30W nominal/music power (R/L)	2 x 15/30W nominal/music power (R/L)
<b>CHASSIS</b>			
TV-Chassis	TP	TP	TP
Tuner	PLL frequency synthesizer tuning	PLL frequency synthesizer tuning	PLL frequency synthesizer tuning
Scaler	Sapphire 13+	Sapphire 13+	Sapphire 13+
Keyboard	7 keys: +/- Programm, Source / Menu, +/- Volume, stand-by	7 keys: +/- Programm, Source / Menu, +/- Volume, stand-by	7 keys: +/- Programm, Source / Menu, +/- Volume, stand-by
<b>ELECTRONIC</b>			
DLNA	○	○	○
Stand by indicator	blue LED	blue LED	blue LED
EPG (Electronic Programme Guide)	7 days via DVB-T, DVB-C, DVB-S2	7 days via DVB-T, DVB-C, DVB-S2	7 days via DVB-T, DVB-T2, DVB-C, DVB-S2
Manual & autom. labeling of prog.	●	●	●
Programmable off timer	●	●	●
Programmable on timer	●	●	●
Intelligent channel search (Zapping funct.)	●	●	●
Programme Edit	●	●	●
Programme memory TV/AV (opt.)	100 Analog / 1000 T / 1000 C / 6000 S2 / AV	100 Analog / 1000 T / 1000 C / 6000 S2 / AV	100 Analog / 1000 T / 1000 T2 / 1000 C / 6000 S2 / AV
Teletext/Fasttext/Toptext	● / ● / ●	● / ● / ●	● / ● / ●
Teletext options	1000 pages	1000 pages	1000 pages
Childlock	●	●	●
Menue languages OSD	24 languages, D, GB, F, I, E, P, NL, DK, S, FIN, N, TR, GR, PL, CZ, SK, SLO, H, RUS, RO, BG, HR, LT, EE		
OSD-style	OEM-style with Grundig look	OEM-style with Grundig look	OEM-style with Grundig look
Service mode	●	●	●
Game mode		presets (user changeable) for sound and picture in HDMI-, Component- and PC-mode	
Hotel mode	Simple hotel mode possible via service adjustment	Simple hotel mode possible via service adjustment	Simple hotel mode possible via service adjustment
Digi Link	○	○	○
Digi Link (HDMI CEC 1.3)	●	○	●
Special feature	○	○	○
<b>INTERNET APPLICATIONS</b>			
WLAN internal / external	● / ○	● / ○	● / ○
DLNA	●	●	●
Facebook	●	●	●
Twitter	●	●	●
Picasa	●	●	●
Flickr	●	●	●
Youtube	●	●	●
V-Tuner	●	●	●
funspot	●	●	●
tripadvisor	●	●	●
HRS	●	●	●
Aphoteken	●	●	●
Arzt suche	●	●	●
BonGusto	●	●	●
Laufen.de	●	●	●
Yogamour	●	●	●
Automotorsport	●	●	●
Reuters	●	●	●
Bild.de	●	●	●
Worldweatheronline	●	●	●
Goal 7/24	●	●	●
Acetrax	●	●	●
Viewster	●	●	●
Flixster	●	●	●
<b>TUNING</b>			
Autom. Tuning System with country select.	full automatic sorting	full automatic sorting	full automatic sorting
Frequency Based Auto Search	●	●	●
Automatic Micro-search	●	●	●
Manual fine tuning	●	●	●
Direct channel selection	●	●	●
Direct frequency selection		For cable tuning can be done by entering the frequency (MHz) in digital search menu	
PAL/SECAM/BG/DK/L/L'	●	●	●
NTSC-Playback via Scart (3,58/4,43)	●	●	●
Cable TV / Hyperband (S1-S41)	●	●	●

	55 VLE 9270 WL	55 VLE 9271 BL	55 VLE 9275 BP
DVB reception			
Fully compliant to	EN 300 744 & revised NorDig II spec (regarding DVB-T front end performance)		
Automatic/manual channel search	● / ● - ATS type sorting & LCN type sorting	● / ● - ATS type sorting & LCN type sorting	● / ● - ATS type sorting & LCN type sorting
EPG (SI based)	●	●	●
7 Day Electronic Programme Guide	●	●	●
- 8 Day Electronic Programme Guide	○	○	○
- now/next	●	●	●
- scheduled	If broadcasted	If broadcasted	If broadcasted
- Extended Event Info	If broadcasted	If broadcasted	If broadcasted
- Short Event Info	If broadcasted	If broadcasted	If broadcasted
TV/Radio programmes	1000	1000	1000
OSD languages	Same as analogue languages	Same as analogue languages	Same as analogue languages
Teletext VBI insertion	or decoding	or decoding	or decoding
VPS - VBI insertion	PDC based	PDC based	PDC based
Programme table	full automatic sorting	full automatic sorting	full automatic sorting
Factory station list	●	●	●
Common Interface	●	●	●
CI +	●	●	●
DVB-T2 Front end			
Input frequency range	○	○	177 - 862 VHF & UHF
Input level / Impedance	○	○	-80 to 20dBm / 75 Ohm
Modulation	○	○	QPSK, 16QAM, 64QAM, 256QAM
FEC MODE	○	○	LDPC + BCH 1/2, 3/5, 2/3, 3/4, 4/5, 5/6
DVB-T Front end			
Input frequency (MHz) / Loop through	177 - 862 VHF & UHF / ○	177 - 862 VHF & UHF / ○	177 - 862 VHF & UHF / ○
Input level / Impedance	-80 to 20dBm / 75 Ohm	-80 to 20dBm / 75 Ohm	-80 to 20dBm / 75 Ohm
Modulation	COFDM 2/8 QPSK 16/64 QAM	COFDM 2/8 QPSK 16/64 QAM	COFDM 2/8 QPSK 16/64 QAM
FEC	1/2, 2/3, 3/4, 5/6, 7/8	1/2, 2/3, 3/4, 5/6, 7/8	1/2, 2/3, 3/4, 5/6, 7/8
Activ antenna support	●	●	●
Hierarchical modulation	Hierarchical - non hierarchical	Hierarchical - non hierarchical	Hierarchical - non hierarchical
DVB-S2 Front end			
Input frequency range	950 MHz to 2150 MHz	950 MHz to 2150 MHz	950 MHz to 2150 MHz
Signal level	-25 to -80dBm (Only for DVB-S) -25 to -70dBm (Only for DVB-S2)	-25 to -80dBm (Only for DVB-S) -25 to -70dBm (Only for DVB-S2)	-25 to -80dBm (Only for DVB-S) -25 to -70dBm (Only for DVB-S2)
Demodulation	QPSK, 8PSK	QPSK, 8PSK	QPSK, 8PSK
Input symbol rate	1 - 45 Msps for DVB-S 5 - 30 Msps for DVB-S2	1 - 45 Msps for DVB-S, 5 - 30 Msps for DVB-S2	1 - 45 Msps for DVB-S 5 - 30 Msps for DVB-S2
DiseqC 1.2 support	●	●	●
LNB power & Polarization	13/18V Selection / Vertical 22 KHz generation - Overload Protection	13/18V Selection / Vertical - 22 KHz generation - Overload Protection	13/18V Selection / Vertical 22 KHz generation - Overload Protection
FEC MODE	Auto - QPSK-S: 1/2, 2/3, 3/4, 3/5, 5/6, 8/9, 9/10 QPSK-S2: 1/2, 2/3, 3/4, 3/5, 4/5, 5/6, 8/9, 9/10 8PSK: 2/3, 3/4, 3/5, 5/6, 8/9, 9/10	Auto - QPSK-S: 1/2, 2/3, 3/4, 3/5, 5/6, 8/9, 9/10 QPSK-S2: 1/2, 2/3, 3/4, 3/5, 4/5, 5/6, 8/9, 9/10 8PSK: 2/3, 3/4, 3/5, 5/6, 8/9, 9/10	Auto - QPSK-S: 1/2, 2/3, 3/4, 3/5, 5/6, 8/9, 9/10 QPSK-S2: 1/2, 2/3, 3/4, 3/5, 4/5, 5/6, 8/9, 9/10 8PSK: 2/3, 3/4, 3/5, 5/6, 8/9, 9/10
DVB-C Front end			
Input frequency (MHz)	47 - 862 VHF & UHF	47 - 862 VHF & UHF	47 - 862 VHF & UHF
Input level / Impedance	47 - 70dBµV / 75 Ohm	47 - 70dBµV / 75 Ohm	47 - 70dBµV / 75 Ohm
Demodulation / Symbol rate Ms/s	QAM 16/32/64/128/256 demodulation support (EN 300 429) 4.0...7.2 Msymbols/s		
Video Decoder			
MPEG profiles	MP@ML, MP@HL, MPEG4 AVC H.264 HP@L4.0	MP@ML, MP@HL, MPEG4 AVC H.264 HP@L4.0	MP@ML, MP@HL, MPEG4 AVC H.264 HP@L4.0
Resolution	576i, 576p, 720p, 1080i, 1080p	576i, 576p, 720p, 1080i, 1080p	576i, 576p, 720p, 1080i, 1080p
OSD colors	Fitting to TV-OSD	Fitting to TV-OSD	Fitting to TV-OSD
Picture formats	Auto (WSS), 4:3 / 14:9 / 16:9 / Panorama / Letterbox / Subtitle	Auto (WSS), 4:3 / 14:9 / 16:9 / Panorama / Letterbox / Subtitle	Auto (WSS), 4:3 / 14:9 / 16:9 / Panorama / Letterbox / Subtitle
Audio Decoder			
Profiles	MPEG 4 , MPEG 2 layer I & II	MPEG 4 , MPEG 2 layer I & II	MPEG 4 , MPEG 2 layer I & II
AC 3 Output	SP/DIF	SP/DIF	SP/DIF
Modes	Mono, Dual Mono, Stereo, Joint Stereo	Mono, Dual Mono, Stereo, Joint Stereo	Mono, Dual Mono, Stereo, Joint Stereo
Software			
Service information processing	Dynamic PMT	Dynamic PMT	Dynamic PMT
DVB subtitles	●	●	●
Over air download (OTA)	DVB enhanced profile	DVB enhanced profile	DVB enhanced profile
Navigator	via menu	via menu	via menu
Last station memory	from stand-by, as TV	from stand-by, as TV	from stand-by, as TV
Favourite mode	4x free	4x free	4x free
Mute function	●	●	●
Swap function	●	●	●
USB part			
Recording	●	●	●
Divx + HD	●	●	●
Repeat	●	●	●
File browser	●	●	●
Video file resolution (max.)	1920 x 1080	1920 x 1080	1920 x 1080
Supported files	.m4a, .wma, .aac, .jpg, .jpe, .bmp, .png, .mov, .divx, .mpg, .mpe, .vob, .dat, .trp, .ts, .avi, .mp4, .mkv, .div	.m4a, .wma, .aac, .jpg, .jpe, .bmp, .png, .mov, .divx, .mpg, .mpe, .vob, .dat, .trp, .ts, .avi, .mp4, .mkv, .div	.m4a, .wma, .aac, .jpg, .jpe, .bmp, .png, .mov, .divx, .mpg, .mpe, .vob, .dat, .trp, .ts, .avi, .mp4, .mkv, .div
Supported subtitles	SRT, SSA, ASS, SMI, Video SUB	SRT, SSA, ASS, SMI, Video SUB	SRT, SSA, ASS, SMI, Video SUB
POWER SUPPLY / CABINET			
Power voltage	230V, 50Hz; in accordance to IEC 65	230V, 50Hz; in accordance to IEC 65	230V, 50Hz; in accordance to IEC 65
Range of regulation	140V - 265V	140V - 265V	140V - 265V
Integrated supply	●	●	●
Energy class	A	A	A
Power consumption	113W, 0,50W Standby, 165kWh annual on-mode energy consumption	113W, 0,50W Standby, 165kWh annual on-mode energy consumption	113W, 0,50W Standby, 165kWh annual on-mode energy consumption
Cabinet (WxHxD, cm)	125,8x74,6x5,2cm	125,8x74,6x5,2cm	125,8x74,6x5,2cm
Cabinet with stand (WxHxD, cm)	125,8x80x31cm	125,8x80x31cm	125,8x80x31cm
Weight (netto)	ca. 30kg	ca. 30kg	ca. 30kg
REAR PANEL CONNECTIONS			
Euro-AV-Socket AV1	Full wired via Euro AV	Full wired via Euro AV	Full wired via Euro AV
S-Video	3x Cinch socket in	3x Cinch socket in	3x Cinch socket in
Camera-AV	3x Cinch socket in	3x Cinch socket in	3x Cinch socket in
YUV input / progressive	Video-in: 3 x Cinch, Audio-in: 2 x Cinch	Video-in: 3 x Cinch, Audio-in: 2 x Cinch	Video-in: 3 x Cinch, Audio-in: 2 x Cinch
LAN	●	●	●
PC-input	WXGA	WXGA	WXGA
PC-Audio in	●	●	●
HDMI	4x	4x	4x
HD ready including HDCP	via HDMI	via HDMI	via HDMI
Common Interface	1 slot	1 slot	1 slot
Headphones	3.5mm jack	3.5mm jack	3.5mm jack
Digital Audio out optical (SPDIF)	●	●	●
Audio out	●	●	●
USB	2 x USB 2.0	2 x USB 2.0	2 x USB 2.0
Antenna for terrestrial reception	1 x Coaxial-socket for TV-tuner-in, according to DIN 45325	1 x Coaxial-socket for TV-tuner-in, according to DIN 45325	1 x Coaxial-socket for TV-tuner-in, according to DIN 45325
Antenna for satellite reception	1 x F-connector	1 x F-connector	1 x F-connector
Power supply plug	●	●	●
SUPPLIED ACCESSORIES			
Wi-Fi Dongle	○	○	○
Remote control (incl. battery)	TP 7 black	TP 7 black & Comfort Remote	TP 7 black
3D Glasses	x 6	x 6	x 6
Power cord	grounded	grounded	grounded
Instruction manual	●	●	●
Wall fixture	Prepared for VESA standard adaptor 400 x 400	Prepared for VESA standard adaptor 400 x 400	Prepared for VESA standard adaptor 400 x 400
Stand	swivel type glass stand	swivel type glass stand	swivel type glass stand
Cleaning tissue	●	●	●

Technische Daten / Technical Data 55"

	55 VLE 9275 WP	55 VLE 9279 BP	55 VLE 9279 WP
Order No.	LFC000	KWA000	LCB000
Product Code	LFC	KWA	LCB
Destination	Nordic	Nordic	Nordic
Approbations	CE	CE	CE
IM-Languages	D,GB,DK,N,S,FIN	D,GB,DK,N,S,FIN	D,GB,DK,N,S,FIN
IM-Languages 2			
Remote control	TP7	TP7	TP7
EAN	40 13833-63205 4	40 13833-63038 8	40 13833-63131 6
Color	glossy white	glossy black	glossy white
<b>DISPLAY</b>			
Panel	55" / 140cm	55" / 140cm	55" / 140cm
Backlight	EDGE LED	EDGE LED	EDGE LED
Wide-screen format	●	●	●
3D	Passive	Passive	Passive
Dynamic contrast	Dynamic Contrast Plus	Dynamic Contrast Plus	Dynamic Contrast Plus
Picture Perfection rate	400Hz	400Hz	400Hz
Physical display resolution max. pixel	WUXGA 1920 x 1080 (full HD)	WUXGA 1920 x 1080 (full HD)	WUXGA 1920 x 1080 (full HD)
<b>PICTURE</b>			
Motion Picture Improvement	●	●	●
Motion Adaptive Deinterlacing	3D Deinterlacer	3D Deinterlacer	3D Deinterlacer
Full HD	●	●	●
HD-TV 1080p	○	○	○
Line Flicker Reduction	●	●	●
Digital Color Transition Improv. (DCTI)	●	●	●
Digital Combfilter	3D	3D	3D
Digital Luminance Transition Improv. (DLTI)	●	●	●
Picture Noise Reduction	●	●	●
Preset picture modes	user, vivid, natural, movie, sports	user, vivid, natural, movie, sports	user, vivid, natural, movie, sports
Aspect ratios (Format switching)	Auto (WSS), 4:3 / 16:9 / 14:9 / LetterBox / Subtitle / Panorama	Auto (WSS), 4:3 / 16:9 / 14:9 / LetterBox / Subtitle / Panorama	Auto (WSS), 4:3 / 16:9 / 14:9 / LetterBox / Subtitle / Panorama
PAT: Split screen (PICTURE + TEXT)	●	●	●
Picture freezing	●	●	●
Zoom with point function	●	●	●
Auto 16:9 selection via Scart	●	●	●
Sharpness control	●	●	●
Blue Background	●	●	●
<b>AUDIO</b>			
Mono/Stereo/Nicam	● / ● / ●	● / ● / ●	● / ● / ●
AV Stereo	●	●	●
Loudspeaker	2 wide band at the front side	2 wide band at the front side	2 wide band at the front side
SRS	TruSurround HD	TruSurround HD	TruSurround HD
Dolby digital	●	●	●
Subwoofer	●	●	●
Balance Adjustment	●	●	●
AVL (Audio Volume Level)	●	●	●
Equalizer	5 Band	5 Band	5 Band
Space Sound Effect	●	●	●
Sound preset	natural, music, sport, speech, user	natural, music, sport, speech, user	natural, music, sport, speech, user
Audio amplifier	2 x 15/30W nominal/music power (R/L)	2 x 15/30W nominal/music power (R/L)	2 x 15/30W nominal/music power (R/L)
<b>CHASSIS</b>			
TV-Chassis	TP	TP	TP
Tuner	PLL frequency synthesizer tuning	PLL frequency synthesizer tuning	PLL frequency synthesizer tuning
Scaler	Sapphire 13+	Sapphire 13+	Sapphire 13+
Keyboard	7 keys: +/- Programm, Source / Menu, +/- Volume, stand-by	7 keys: +/- Programm, Source / Menu, +/- Volume, stand-by	7 keys: +/- Programm, Source / Menu, +/- Volume, stand-by
<b>ELECTRONIC</b>			
DLNA	○	○	○
Stand by indicator	blue LED	blue LED	blue LED
EPG (Electronic Programme Guide)	7 days via DVB-T, DVB-T2, DVB-C, DVB-S2	7 days via DVB-T, DVB-T2, DVB-C, DVB-S2	7 days via DVB-T, DVB-T2, DVB-C, DVB-S2
Manual & autom. labeling of prog.	●	●	●
Programmable off timer	●	●	●
Programmable on timer	●	●	●
Intelligent channel search (Zapping funct.)	●	●	●
Programme Edit	●	●	●
Programme memory TV/AV (opt.)	100 Analog / 1000 T / 1000 T2 / 1000 C / 6000 S2 / AV	100 Analog / 1000 T / 1000 T2 / 1000 C / 6000 S2 / AV	100 Analog / 1000 T / 1000 T2 / 1000 C / 6000 S2 / AV
Teletext/Fasttext/Toptext	● / ● / ●	● / ● / ●	● / ● / ●
Teletext options	1000 pages	1000 pages	1000 pages
Childlock	●	●	●
Menue languages OSD	24 languages, D, GB, F, I, E, P, NL, DK, S, FIN, N, TR, GR, PL, CZ, SK, SLO, H, RUS, RO, BG, HR, LT, EE		
OSD-style	OEM-style with Grundig look	OEM-style with Grundig look	OEM-style with Grundig look
Service mode	●	●	●
Game mode	presets (user changeable) for sound and picture in HDMI-, Component- and PC-mode		
Hotel mode	Simple hotel mode possible via service adjustment	Simple hotel mode possible via service adjustment	Simple hotel mode possible via service adjustment
Digi Link	○	○	○
Digi Link (HDMI CEC 1.3)	●	●	○
Special feature	○	○	○
<b>INTERNET APPLICATIONS</b>			
WLAN internal / external	● / ○	● / ○	● / ○
DLNA	●	●	●
Facebook	●	●	●
Twitter	●	●	●
Picasa	●	●	●
Flickr	●	●	●
Youtube	●	●	●
V-Tuner	●	●	○
funspot	●	●	●
tripadvisor	●	●	●
HRS	●	●	●
Aphoteken	●	●	●
Arzt suche	●	●	●
BonGusto	●	●	●
Laufen.de	●	●	●
Yogamour	●	●	●
Automotorsport	●	●	●
Reuters	●	●	○
Bild.de	●	●	●
Worldweatheronline	●	●	●
Goal 7/24	●	●	●
Acetrax	●	●	●
Viewster	●	●	●
Flixster	●	●	●
<b>TUNING</b>			
Autom. Tuning System with country select.	full automatic sorting	full automatic sorting	full automatic sorting
Frequency Based Auto Search	●	●	●
Automatic Micro-search	●	●	●
Manual fine tuning	●	●	●
Direct channel selection	●	●	●
Direct frequency selection	For cable tuning can be done by entering the frequency (MHz) in digital search menu		
PAL/SECAM/BG/DK/L/L/L	●	●	●
NTSC-Playback via Scart (3,58/4,43)	●	●	●
Cable TV / Hyperband (S1-S41)	●	●	●

	55 VLE 9275 WP	55 VLE 9279 BP	55 VLE 9279 WP
DVB reception			
Fully compliant to	EN 300 744 & revised NorDg II spec (regarding DVB-T front end performance)		
Automatic/manual channel search	● / ● - ATS type sorting & LCN type sorting	● / ● - ATS type sorting & LCN type sorting	● / ● - ATS type sorting & LCN type sorting
EPG (SI based)	●	●	●
7 Day Electronic Programme Guide	●	●	●
- 8 Day Electronic Programme Guide	○	○	○
- now/next	●	●	●
- scheduled	If broadcasted	If broadcasted	If broadcasted
- Extended Event Info	If broadcasted	If broadcasted	If broadcasted
- Short Event Info	If broadcasted	If broadcasted	If broadcasted
TV/Radio programmes	1000	1000	1000
OSD languages	Same as analogue languages	Same as analogue languages	Same as analogue languages
Teletext VBI insertion	or decoding	or decoding	or decoding
VPS - VBI insertion	PDC based	PDC based	PDC based
Programme table	full automatic sorting	full automatic sorting	full automatic sorting
Factory station list	●	●	●
Common Interface	●	●	●
CI +	●	●	●
DVB-T2 Front end			
Input frequency range	177 - 862 VHF & UHF	177 - 862 VHF & UHF	177 - 862 VHF & UHF
Input level / Impedance	-75 to -35dBm / 75Ohm	-75 to -35dBm / 75Ohm	-75 to -35dBm / 75Ohm
Modulation	QPSK, 16QAM, 64QAM, 256QAM	QPSK, 16QAM, 64QAM, 256QAM	QPSK, 16QAM, 64QAM, 256QAM
FEC MODE	LDPC + BCH 1/2, 3/5, 2/3, 3/4, 4/5, 5/6	LDPC + BCH 1/2, 3/5, 2/3, 3/4, 4/5, 5/6	LDPC + BCH 1/2, 3/5, 2/3, 3/4, 4/5, 5/6
DVB-T Front end			
Input frequency (MHz) / Loop through	177 - 862 VHF & UHF / O	177 - 862 VHF & UHF / O	177 - 862 VHF & UHF / O
Input level / Impedance	-80 to 20dBm / 75 Ohm	-80 to 20dBm / 75 Ohm	-80 to 20dBm / 75 Ohm
Modulation	COFDM 2/8 QPSK 16/64 QAM	COFDM 2/8 QPSK 16/64 QAM	COFDM 2/8 QPSK 16/64 QAM
FEC	1/2, 2/3, 3/4, 5/6, 7/8	1/2, 2/3, 3/4, 5/6, 7/8	1/2, 2/3, 3/4, 5/6, 7/8
Activ antenna support	●	●	●
Hierarchical modulation	Hierarchical - non hierarchical	Hierarchical - non hierarchical	Hierarchical - non hierarchical
DVB-S2 Front end			
Input frequency range	950 MHz to 2150 MHz	950 MHz to 2150 MHz	950 MHz to 2150 MHz
Signal level	-25 to -80dBm (Only for DVB-S) -25 to -70dBm (Only for DVB-S2)	-25 to -80dBm (Only for DVB-S) -25 to -70dBm (Only for DVB-S2)	-25 to -80dBm (Only for DVB-S) -25 to -70dBm (Only for DVB-S2)
Demodulation	QPSK, 8PSK	QPSK, 8PSK	QPSK, 8PSK
Input symbol rate	1 - 45 Msps for DVB-S 5 - 30 Msps for DVB-S2	1 - 45 Msps for DVB-S 5 - 30 Msps for DVB-S2	1 - 45 Msps for DVB-S 5 - 30 Msps for DVB-S2
DiseqC 1.2 support	●	●	●
LNB power & Polarization	13/18V Selection / Vertical 22 KHz generation - Overload Protection	13/18V Selection / Vertical 22 KHz generation - Overload Protection	13/18V Selection / Vertical 22 KHz generation - Overload Protection
FEC MODE	Auto - QPSK-S: 1/2, 2/3, 3/4, 3/5, 5/6, 8/9, 9/10 QPSK-S2: 1/2, 2/3, 3/4, 3/5, 4/5, 5/6, 8/9, 9/10 8PSK: 2/3, 3/4, 3/5, 5/6, 8/9, 9/10	Auto - QPSK-S: 1/2, 2/3, 3/4, 3/5, 5/6, 8/9, 9/10 QPSK-S2: 1/2, 2/3, 3/4, 3/5, 4/5, 5/6, 8/9, 9/10 8PSK: 2/3, 3/4, 3/5, 5/6, 8/9, 9/10	Auto - QPSK-S: 1/2, 2/3, 3/4, 3/5, 5/6, 8/9, 9/10 QPSK-S2: 1/2, 2/3, 3/4, 3/5, 4/5, 5/6, 8/9, 9/10 8PSK: 2/3, 3/4, 3/5, 5/6, 8/9, 9/10
DVB-C Front end			
Input frequency (MHz)	47 - 862 VHF & UHF	47 - 862 VHF & UHF	47 - 862 VHF & UHF
Input level / Impedance	47 - 70dbµV / 75 Ohm	47 - 70dbµV / 75 Ohm	47 - 70dbµV / 75 Ohm
Demodulation / Symbol rate Ms/s	QAM 16/32/64/128/256 demodulation support (EN 300 429) 4.0...7.2 Msymbols/s		
Video Decoder			
MPEG profiles	MP@ML, MP@HL, MPEG4 AVC H.264 HP@L4.0	MP@ML, MP@HL, MPEG4 AVC H.264 HP@L4.0	MP@ML, MP@HL, MPEG4 AVC H.264 HP@L4.0
Resolution	576i, 576p, 720p, 1080i, 1080p	576i, 576p, 720p, 1080i, 1080p	576i, 576p, 720p, 1080i, 1080p
OSD colors	Fitting to TV-OSD	Fitting to TV-OSD	Fitting to TV-OSD
Picture formats	Auto (WSS), 4:3 / 14:9 / 16:9 / Panorama / Letterbox / Subtitle	Auto (WSS), 4:3 / 14:9 / 16:9 / Panorama / Letterbox / Subtitle	Auto (WSS), 4:3 / 14:9 / 16:9 / Panorama / Letterbox / Subtitle
Audio Decoder			
Profiles	MPEG 4 , MPEG 2 layer I & II	MPEG 4 , MPEG 2 layer I & II	MPEG 4 , MPEG 2 layer I & II
AC 3 Output	SP/DIF	SP/DIF	SP/DIF
Modes	Mono, Dual Mono, Stereo, Joint Stereo	Mono, Dual Mono, Stereo, Joint Stereo	Mono, Dual Mono, Stereo, Joint Stereo
Software			
Service information processing	Dynamic PMT	Dynamic PMT	Dynamic PMT
DVB subtitling	●	●	●
Over air download (OTA)	DVB enhanced profile	DVB enhanced profile	DVB enhanced profile
Navigator	via menu	via menu	via menu
Last station memory	from stand-by, as TV	from stand-by, as TV	from stand-by, as TV
Favourite mode	4x free	4x free	4x free
Mute function	●	●	●
Swap function	●	●	●
USB part			
Recording	●	●	●
Divx + HD	●	●	●
Repeat	●	●	●
File browser	●	●	●
Video file resolution (max.)	1920 x 1080	1920 x 1080	1920 x 1080
Supported files	.m4a, .wma, .aac, .jpg, .jpe, .bmp, .png, .mov, .divx, .mpg, .mpe, .vob, .dat, .trp, .ts, .avi, .mp4, .mkv, .div	.m4a, .wma, .aac, .jpg, .jpe, .bmp, .png, .mov, .divx, .mpg, .mpe, .vob, .dat, .trp, .ts, .avi, .mp4, .mkv, .div	.m4a, .wma, .aac, .jpg, .jpe, .bmp, .png, .mov, .divx, .mpg, .mpe, .vob, .dat, .trp, .ts, .avi, .mp4, .mkv, .div
Supported subtitles	SRT, SSA, ASS, SMI, Video SUB	SRT, SSA, ASS, SMI, Video SUB	SRT, SSA, ASS, SMI, Video SUB
POWER SUPPLY / CABINET			
Power voltage	230V, 50Hz; in accordance to IEC 65	230V, 50Hz; in accordance to IEC 65	230V, 50Hz; in accordance to IEC 65
Range of regulation	140V - 265V	140V - 265V	140V - 265V
Integrated supply	●	●	●
Energy class	A	A	A
Power consumption	113W, 0,50W Standby, 165kWh annual on-mode energy consumption	113W, 0,50W Standby, 165kWh annual on-mode energy consumption	113W, 0,50W Standby, 165kWh annual on-mode energy consumption
Cabinet (WxHxD, cm)	125,8x74,6x5,2cm	125,8x74,6x5,2cm	125,8x74,6x5,2cm
Cabinet with stand (WxHxD, cm)	125,8x80x31cm	125,8x80x31cm	125,8x80x31cm
Weight (netto)	ca. 30kg	ca. 30kg	ca. 30kg
REAR PANEL CONNECTIONS			
Euro-AV-socket AV1	Full wired via Euro AV	Full wired via Euro AV	Full wired via Euro AV
S-Video	3x Cinch socket in	3x Cinch socket in	3x Cinch socket in
Camera-AV	3x Cinch socket in	3x Cinch socket in	3x Cinch socket in
YUV input / progressive	Video-in: 3 x Cinch, Audio-in: 2 x Cinch	Video-in: 3 x Cinch, Audio-in: 2 x Cinch	Video-in: 3 x Cinch, Audio-in: 2 x Cinch
LAN	●	○	○
PC-input	WXGA	WXGA	WXGA
PC-Audio in	●	●	●
HDMI	4x	4x	4x
HD ready including HDCP	via HDMI	via HDMI	via HDMI
Common Interface	1 slot	1 slot	1 slot
Headphones	3.5mm jack	3.5mm jack	3.5mm jack
Digital Audio out optical (SPDIF)	●	●	●
Audio out	●	●	●
USB	2 x USB 2.0	2 x USB 2.0	2 x USB 2.0
Antenna for terrestrial reception	1 x Coaxial-socket for TV-tuner-in, according to DIN 45325	1 x Coaxial-socket for TV-tuner-in, according to DIN 45325	1 x Coaxial-socket for TV-tuner-in, according to DIN 45325
Antenna for satellite reception	1 x F-connector	1 x F-connector	●
Power supply plug	●	●	●
SUPPLIED ACCESSORIES			
Wi-Fi Dongle	○	○	○
Remote control (incl. battery)	TP 7 black	TP 7 black	TP 7 black
3D Glasses	x 6	x 6	x 6
Power cord	grounded	grounded	grounded
Instruction manual	●	●	●
Wall fixture	Prepared for VESA standard adaptor 400 x 400	Prepared for VESA standard adaptor 400 x 400	Prepared for VESA standard adaptor 400 x 400
Stand	swivel type glass stand	swivel type glass stand	swivel type glass stand
Cleaning tissue	●	●	●

Technische Daten / Technical Data 55"

	Fine Arts 55 FLE 9170 SH	Sydney 55 CLE 9275 BL	Sydney 55 CLE 9275 SL
Order No.	KKH000	LCS000	LCU000
Product Code	KKH	LCS	LCS
Destination	France, Spain	D, A	D, A
Approbations	CE	CE	CE
IM-Languages	ES, FR, PT, D, GB, NL, EE	D,GB	D,GB
IM-Languages 2			
Remote control	TP8-YF2	TP8	TP9
EAN	40 13833-62816 3	40 13833-63146 0	40 13833-63148 4
Color	silver	glossy black	silver
<b>DISPLAY</b>			
Panel	55" / 140cm	55" / 140cm	55" / 140cm
Backlight	EDGE LED	EDGE LED	EDGE LED
Wide-screen format	•	•	•
3D	•	Passive	Passive
Dynamic contrast	Dynamic Contrast Plus	Dynamic Contrast Plus	Dynamic Contrast Plus
Picture Perfection rate	400Hz	400Hz	400Hz
Physical display resolution max. pixel	WUXGA 1920 x 1080 (full HD)	WUXGA 1920 x 1080 (full HD)	WUXGA 1920 x 1080 (full HD)
<b>PICTURE</b>			
Motion Picture Improvement	•	•	•
Motion Adaptive Deinterlacing	3D Deinterlacer	3D Deinterlacer	3D Deinterlacer
Full HD	•	•	•
HD-TV 1080p	•	○	○
Line Flicker Reduction	•	•	•
Digital Color Transition Improv. (DCTI)	•	•	•
Digital Combfilter	3D	3D	3D
Digital Luminance Transition Improv. (DLTI)	•	•	•
Picture Noise Reduction	•	•	•
Preset picture modes	user, vivid, natural, movie, sports	user, vivid, natural, movie, sports	user, vivid, natural, movie, sports
Aspect ratios (Format switching)		Auto (WSS), 4:3 / 16:9 / 14:9 / LetterBox / Subtitle / Panorama	
PAT: Split screen (PICTURE + TEXT)	•		•
Picture freezing	•	•	•
Zoom with point function	•	•	•
Auto 16:9 selection via Scart	•	•	•
Sharpness control	•	•	•
Blue Background	•	•	•
<b>AUDIO</b>			
Mono/Stereo/Nicam	• / • / •	• / • / •	• / • / •
AV Stereo	•	•	•
Loudspeaker	2 wide band at the front side	2 wide band at the front side	2 wide band at the front side
SRS	TruSurround HD	TruSurround HD	TruSurround HD
Dolby digital	•	•	•
Subwoofer	•	•	•
Balance Adjustment	•	•	•
AVL (Audio Volume Level)	•	•	•
Equalizer	5 Band	5 Band	5 Band
Space Sound Effect	•	•	•
Sound preset	cinema, music, sport, speech, user	natural, music, sport, speech, user	natural, music, sport, speech, user
Audio amplifier	2 x 10/20W nominal/music power (R/L)	2 x 15/30W nominal/music power (R/L)	2 x 15/30W nominal/music power (R/L)
<b>CHASSIS</b>			
TV-Chassis	TP	TP	TP
Tuner	PLL frequency synthesizer tuning	PLL frequency synthesizer tuning	PLL frequency synthesizer tuning
Scaler	Sapphire 13+	Sapphire 13+	Sapphire 13+
Keyboard	7 keys: +/- Programm, Source / Menu, +/- Volume, stand-by	7 keys: +/- Programm, Source / Menu, +/- Volume, stand-by	7 keys: +/- Programm, Source / Menu, +/- Volume, stand-by
<b>ELECTRONIC</b>			
DLNA	•	○	○
Stand by indicator	blue LED	blue LED	blue LED
EPG (Electronic Programme Guide)	7 days via DVB-T, DVB-C	7 days via DVB-T, DVB-C, DVB-S2	7 days via DVB-T, DVB-C, DVB-S2
Manual & autom. labeling of prog.	•	•	•
Programmable off timer	•	•	•
Programmable on timer	•	•	•
Intelligent channel search (Zapping funct.)	•	•	•
Programme Edit	•	•	•
Programme memory TV/AV (opt.)	100 Analog / 1000 T / 1000 C / AV	100 Analog / 1000 T / 1000 C / 6000 S2 / AV	100 Analog / 1000 T / 1000 C / 6000 S2 / AV
Teletext/Fasttext/Toptext	• / • / •	• / • / •	• / • / •
Teletext options	1000 pages	1000 pages	1000 pages
Childlock	•	•	•
Menue languages OSD		24 languages, D, GB, F, I, E, P, NL, DK, S, FIN, N, TR, GR, PL, CZ, SK, SLO, H, RUS, RO, BG, HR, LT, EE	
OSD-style	OEM-style with Grundig look	OEM-style with Grundig look	OEM-style with Grundig look
Service mode	•	•	•
Game mode		presets (user changeable) for sound and picture in HDMI-, Component- and PC-mode	
Hotel mode	Simple hotel mode possible via service adjustment	Simple hotel mode possible via service adjustment	Simple hotel mode possible via service adjustment
Digi Link	○	○	○
Digi Link (HDMI CEC 1.3)	•	•	•
Special feature	○	○	○
<b>INTERNET APPLICATIONS</b>			
WLAN internal / external	○ / •	• / ○	• / ○
DLNA	•	•	•
Facebook	•	•	•
Twitter	•	•	•
Picasa	•	•	•
Flickr	•	•	•
Youtube	•	•	•
V-Tuner	•	•	•
funspot	•	•	•
tripadvisor	•	•	•
HRS	○	•	•
Aphoteken	•	•	•
Arzt suche	•	•	•
BonGusto	•	•	•
Laufen.de	•	•	•
Yogamour	•	•	•
Automotorsport	•	•	•
Reuters	•	•	•
Bild.de	•	•	•
Worldweatheronline	•	•	•
Goal 7/24	•	•	•
Acetrax	•	•	•
Viewster	•	•	•
Flixster	•	•	•
<b>TUNING</b>			
Autom. Tuning System with country select.	full automatic sorting	full automatic sorting	full automatic sorting
Frequency Based Auto Search	•	•	•
Automatic Micro-search	•	•	•
Manual fine tuning	•	•	•
Direct channel selection	•	•	•
Direct frequency selection		For cable tuning can be done by entering the frequency (MHz) in digital search menu	
PAL/SECAM/BG/DK/L/L/L	•	•	•
NTSC-Playback via Scart (3,58/4,43)	•	•	•
Cable TV / Hyperband (S1-S41)	•	•	•

	Fine Arts 55 FLE 9170 SH	Sydney 55 CLE 9275 BL	Sydney 55 CLE 9275 SL
DVB reception			
Fully compliant to	EN 300 744 & revised NorDig II spec (regarding DVB-T front end performance)		
Automatic/manual channel search	● / ● - ATS type sorting & LCN type sorting	● / ● - ATS type sorting & LCN type sorting	● / ● - ATS type sorting & LCN type sorting
EPG (SI based)	●	●	●
7 Day Electronic Programme Guide	●	●	●
- 8 Day Electronic Programme Guide	○	○	○
- now/next	●	●	●
- scheduled	If broadcasted	If broadcasted	If broadcasted
- Extended Event Info	If broadcasted	If broadcasted	If broadcasted
- Short Event Info	If broadcasted	If broadcasted	If broadcasted
TV/Radio programmes	1000	1000	1000
OSD languages	Same as analogue languages	Same as analogue languages	Same as analogue languages
Teletext VBI insertion	or decoding	or decoding	or decoding
VPS - VBI insertion	PDC based	PDC based	PDC based
Programme table	full automatic sorting	full automatic sorting	full automatic sorting
Factory station list	●	●	●
Common Interface	●	●	●
CI +	●	●	●
DVB-T2 Front end			
Input frequency range	○	○	○
Input level / Impedance	○	○	○
Modulation	○	○	○
FEC MODE	○	○	○
DVB-T Front end			
Input frequency (MHz) / Loop through	177 - 862 VHF & UHF / ○	177 - 862 VHF & UHF / ○	177 - 862 VHF & UHF / ○
Input level / Impedance	-80 to 20dBm / 75 Ohm	-80 to 20dBm / 75 Ohm	-80 to 20dBm / 75 Ohm
Modulation	COFDM 2/8 QPSK 16/64 QAM	COFDM 2/8 QPSK 16/64 QAM	COFDM 2/8 QPSK 16/64 QAM
FEC	1/2, 2/3, 3/4, 5/6, 7/8	1/2, 2/3, 3/4, 5/6, 7/8	1/2, 2/3, 3/4, 5/6, 7/8
Activ antenna support	○	●	●
Hierarchical modulation	Hierarchical - non hierarchical	Hierarchical - non hierarchical	Hierarchical - non hierarchical
DVB-S2 Front end			
Input frequency range	○	950 MHz to 2150 MHz	950 MHz to 2150 MHz
Signal level	○	-25 to -80dBm (Only for DVB-S) -25 to -70dBm (Only for DVB-S2)	-25 to -80dBm (Only for DVB-S) -25 to -70dBm (Only for DVB-S2)
Demodulation	○	QPSK, 8PSK	QPSK, 8PSK
Input symbol rate	○	1 - 45 Msps for DVB-S 5 - 30 Msps for DVB-S2	1 - 45 Msps for DVB-S 5 - 30 Msps for DVB-S2
DiseqC 1.2 support	○	●	●
LNB power & Polarization	○	13/18V Selection / Vertical 22 KHz generation - Overload Protection	13/18V Selection / Vertical 22 KHz generation - Overload Protection
FEC MODE	○	Auto - QPSK-S: 1/2, 2/3, 3/4, 5/6, 8/9, 9/10 QPSK-S2: 1/2, 2/3, 3/4, 5/6, 8/9, 9/10 8PSK: 2/3, 3/4, 5/6, 8/9, 9/10	Auto - QPSK-S: 1/2, 2/3, 3/4, 5/6, 8/9, 9/10 QPSK-S2: 1/2, 2/3, 3/4, 5/6, 8/9, 9/10 8PSK: 2/3, 3/4, 5/6, 8/9, 9/10
DVB-C Front end			
Input frequency (MHz)	47 - 862 VHF & UHF	47 - 862 VHF & UHF	47 - 862 VHF & UHF
Input level / Impedance	47 - 70dBµV / 75 Ohm	47 - 70dBµV / 75 Ohm	47 - 70dBµV / 75 Ohm
Demodulation / Symbol rate Ms/s	QAM 16/32/64/128/256 demodulation support (EN 300 429) 4.0...7.2 Msymbols/s		
Video Decoder			
MPEG profiles	MP@ML, MP@HL, MPEG4 AVC H.264 HP@L4.0		
Resolution	576i, 576p, 720p, 1080i, 1080p	576i, 576p, 720p, 1080i, 1080p	576i, 576p, 720p, 1080i, 1080p
OSD colors	Fitting to TV-OSD	Fitting to TV-OSD	Fitting to TV-OSD
Picture formats	Auto (WSS), 4:3 / 14:9 / Panorama / Letterbox / Subtitle	Auto (WSS), 4:3 / 14:9 / 16:9 / Panorama / Letterbox / Subtitle	Auto (WSS), 4:3 / 14:9 / 16:9 / Panorama / Letterbox / Subtitle
Audio Decoder			
Profiles	MPEG 4 , MPEG 2 layer I & II	MPEG 4 , MPEG 2 layer I & II	MPEG 4 , MPEG 2 layer I & II
AC 3 Output	SP/DIF	SP/DIF	SP/DIF
Modes	Mono, Dual Mono, Stereo, Joint Stereo	Mono, Dual Mono, Stereo, Joint Stereo	Mono, Dual Mono, Stereo, Joint Stereo
Software			
Service information processing	Dynamic PMT	Dynamic PMT	Dynamic PMT
DVB subtitling	●	●	●
Over air download (OTA)	DVB enhanced profile	DVB enhanced profile	DVB enhanced profile
Navigator	via menu	via menu	via menu
Last station memory	from stand-by, as TV	from stand-by, as TV	from stand-by, as TV
Favourite mode	4x free	4x free	4x free
Mute function	●	●	●
Swap function	●	●	●
USB part			
Recording	●	●	●
Divx + HD	●	●	●
Repeat	●	●	●
File browser	●	●	●
Video file resolution (max.)	1920 x 1080	1920 x 1080	1920 x 1080
Supported files	.m4a, .wma, .aac, .jpg, .jpe, .bmp, .png, .mov, .divx, .mpg, .mpe, .vob, .dat, .trp, .ts, .avi, .mp4, .mkv, .div	.m4a, .wma, .aac, .jpg, .jpe, .bmp, .png, .mov, .divx, .mpg, .mpe, .vob, .dat, .trp, .ts, .avi, .mp4, .mkv, .div	.m4a, .wma, .aac, .jpg, .jpe, .bmp, .png, .mov, .divx, .mpg, .mpe, .vob, .dat, .trp, .ts, .avi, .mp4, .mkv, .div
Supported subtitles	SRT, SSA, ASS, SMI, Video SUB	SRT, SSA, ASS, SMI, Video SUB	SRT, SSA, ASS, SMI, Video SUB
POWER SUPPLY / CABINET			
Power voltage	230V, 50Hz; in accordance to IEC 65	230V, 50Hz; in accordance to IEC 65	230V, 50Hz; in accordance to IEC 65
Range of regulation	140V - 265V	140V - 265V	140V - 265V
Integrated supply	●	●	●
Energy class	A	A	A
Power consumption	113W, 0,50W Standby, 165kWh annual on-mode energy consumption	113W, 0,50W Standby, 165kWh annual on-mode energy consumption	113W, 0,50W Standby, 165kWh annual on-mode energy consumption
Cabinet (WxHxD, cm)	127,4x77,5x4,4cm	125,8x74,6x5,2cm	125,8x74,6x5,2cm
Cabinet with stand (WxHxD, cm)	127,4x83,2x30,0cm	125,8x80x31cm	125,8x80x31cm
Weight (netto)	ca. 36kg	ca. 30kg	ca. 30kg
REAR PANEL CONNECTIONS			
Euro-AV-socket AV1	Full wired	Full wired	Full wired
S-Video	Hosiden	via Euro AV	via Euro AV
Camera-AV	3x Cinch socket in	3x Cinch socket in	3x Cinch socket in
YUV input / progressive	Video-in: 3 x Cinch, Audio-in: 2 x Cinch	Video-in: 3 x Cinch, Audio-in: 2 x Cinch	Video-in: 3 x Cinch, Audio-in: 2 x Cinch
LAN	●	●	●
PC-input	WXGA	WXGA	WXGA
PC-Audio in	●	●	●
HDMI	4x	4x	4x
HD ready including HDCP	via HDMI	via HDMI	via HDMI
Common Interface	1 slot	1 slot	1 slot
Headphones	3.5mm jack	3.5mm jack	3.5mm jack
Digital Audio out optical (SPDIF)	●	●	●
Audio out	●	●	●
USB	2 x USB 2.0	2 x USB 2.0	2 x USB 2.0
Antenna for terrestrial reception	1 x Coaxial-socket for TV-tuner-in, according to DIN 45325	1 x Coaxial-socket for TV-tuner-in, according to DIN 45325	1 x Coaxial-socket for TV-tuner-in, according to DIN 45325
Antenna for satellite reception	○	1 x F-connector	1 x F-connector
Power supply plug	●	●	●
SUPPLIED ACCESSORIES			
Wi-Fi Dongle	●	○	○
Remote control (incl. battery)	TP 8 black & Comfort Remote	TP 8 black	TP 9 black
3D Glasses	x 2	x 6	x 6
Power cord	grounded	grounded	grounded
Instruction manual	●	●	●
Wall fixture	Prepared for VESA standard adaptor 400 x 400	Prepared for VESA standard adaptor 400 x 400	Prepared for VESA standard adaptor 400 x 400
Stand	swivel type glass stand	swivel type alu stand	swivel type alu stand
Cleaning tissue	●	●	●

## Service- und Sonderfunktionen

### Tastenfunktionen TP3/TP7 (TP8/TP9)

- i (MENU) Aufrufen/Beenden des COMFORT GUIDE /  
Beenden des Service Mode
- ^ v Menü-Zeile (Menüpunkt) wählen
- ⊙ (OK) Aufrufen der Menüs
- < > Wert ändern
- Z (←) Untermenü: Zurück zum Hauptmenü

### Service-Mode aktivieren

- Taste i (MENU) drücken.
- Zahlenfolge 8500 eingeben.

### Service-Mode beenden

- Taste i (MENU) drücken.

### 1. Grundeinstellwerte

## Service and Special Functions

### Functions of the buttons TP3/TP7 (TP8/TP9)

- i (MENU) Call up/exit the COMFORT GUIDE /  
exit the Service Mode
- ^ v Call up the dialogue line (point of menu)
- ⊙ (OK) Call up the Menus
- < > Changing the settings
- Z (←) Submenu: Back to main menu

### Calling up the Service Mode

- Press button i (MENU).
- Enter the code number 8500.

### Exit the Service Mode

- Press button i (MENU).

### 1. Basic Settings

Menü Menu ^ v	Menüpunkt Point of Menu ● (OK)	Einstellung Adjustment < >	46 VLE 630 BH	46 VLE 630 BL	46 VLE 680 BL	46 VLE 7230 BH	46 VLE 7230 BR	46 VLE 7230 WR	46 VLE 7239 BR	46 VLE 7239 WR
System Configuration	TV Mode	Customer Factory	X	X	X	X	X	X	X	X
	HDCP Verify		prüft HDCP im EEPROM / verifies HDCP in EEPROM							
	Debug Mode	On/Off	Off	Off	Off	Off	Off	Off	Off	Off
	Plug Play	On	ATS Reset: Netz ein -> Automatischer Sendersuchlauf / Power on -> automatic programme search							
		Off	X	X	X	X	X	X	X	X
	ATS	On/Off	On	On	On	On	On	On	On	On
	SRS	On/Off	On	On	On	On	On	On	On	On
	Blue Back	On/Off	On	On	On	On	On	On	On	On
Hotel	On/Off	Off	Off	Off	Off	Off	Off	Off	Off	
CI Key Verify		prüft CI Key / verifies CI Key								
Source Configuration Code 2356	ATV	Avail/Navail	Avail	Avail	Avail	Avail	Avail	Avail	Avail	Avail
	Air	Avail/Navail	Avail	Avail	Avail	Avail	Avail	Avail	Avail	Avail
	Cable	Avail/Navail	Avail	Avail	Avail	Avail	Avail	Avail	Avail	Avail
	Satellite	Avail/Navail	Navail	Avail	Avail	Navail	Navail	Navail	Navail	Navail
	USB	Avail/Navail	Avail	Avail	Avail	Avail	Avail	Avail	Avail	Avail
	PC	Avail/Navail	Avail	Avail	Avail	Avail	Avail	Avail	Avail	Avail
	HDMI1	Avail/Navail	Avail	Avail	Avail	Avail	Avail	Avail	Avail	Avail
	HDMI2	Avail/Navail	Avail	Avail	Avail	Avail	Avail	Avail	Avail	Avail
	HDMI3	Avail/Navail	Avail	Avail	Avail	Avail	Avail	Avail	Avail	Avail
	HDMI4	Avail/Navail	Avail	Avail	Avail	Avail	Avail	Avail	Avail	Avail
	AV1 (Scart)	Avail/Navail	Avail	Avail	Avail	Avail	Avail	Avail	Avail	Avail
	AV2 (Cinch-AV)	Avail/Navail	Avail	Avail	Avail	Avail	Avail	Avail	Avail	Avail
	Component	Avail/Navail	Avail	Avail	Avail	Avail	Avail	Avail	Avail	Avail
S-VHS (Scart)	Avail/Navail	Avail	Avail	Avail	Avail	Avail	Avail	Avail	Avail	
DVD	Avail/Navail	Navail	Navail	Navail	Navail	Navail	Navail	Navail	Navail	
TV Configuration Code 2356	Tuner		Eingebauten Tuner wählen / Select used tuner							
	DVBT2	On/Off	Off	Off	Off	Off	On	On	On	On
	OSD Selection	Grundig	Grundig	Grundig	Grundig	Grundig	Grundig	Grundig	Grundig	Grundig
	GRFSet1/USB Rec.	On/Off	Off	Off	Off	Off	On	On	On	On
	Remote Control		Fernbedienung wählen / Select used remote control							
	Keypad	6 Button + 1 STD, 3 Button + 1 STD, 1 STD, Joystick	6 Button + 1 STD	6 Button + 1 STD	6 Button + 1 STD	6 Button + 1 STD	6 Button + 1 STD	6 Button + 1 STD	6 Button + 1 STD	6 Button + 1 STD
	L	On/Off	On	On	On	On	On	On	On	On
	MEMC	On/Off	On	Off	Off	On	On	On	On	On
	7 Segment Display	On/Off	Off	Off	Off	Off	Off	Off	Off	Off
	Eco TV	On/Off	On	On	On	On	On	On	On	On
	Line Out	On/Off	On	On	On	On	On	On	On	On
	Headphone	On/Off	On	On	On	On	On	On	On	On
	Shop Mode	On/Off	Off	Off	Off	Off	Off	Off	Off	Off
	3D TV	On/Off	Off	Off	Off	Off	Off	Off	Off	Off
	CEC	On/Off	Off	Off	Off	Off	Off	Off	On	On
	Speaker Output Power	10W @8ohm, 15W @16ohm	10W@8Ω	10W@8Ω	10W@8Ω	10W@8Ω	10W@8Ω	10W@8Ω	10W@8Ω	10W@8Ω
	Subwoofer Power	10W @8ohm, Off	Off	Off	Off	Off	10W@8Ω	Off	10W@8Ω	10W@8Ω
	Hidev Mono	On/Off	Off	Off	Off	Off	Off	Off	Off	Off
	Optic Out	On/Off	On	On	On	On	On	On	On	On
	Sports Mode	On/Off	Off	Off	Off	Off	Off	Off	Off	Off
EPG Padding Time	On/Off	On	On	On	On	On	On	On	On	
BISS Key	On/Off	Off	Off	Off	Off	On	On	On	On	
BMSled	On/Off	Off	Off	Off	Off	Off	Off	Off	Off	
EMC Adjust- ments Code 2356	AGC VHF	0...15	9	9	9	9	9	9	9	9
	AGC SECAM VHF	0...15	12	12	12	12	12	12	12	12
	AGC UHF	0...15	10	10	10	10	10	10	10	10
	AGC SECAM UHF	0...15	12	12	12	12	12	12	12	12
	AGC LPrime	0...15	12	12	12	12	12	12	12	12

Alle weiteren Menüs werden über die Gerätesoftware programmiert und dürfen nicht verstellt werden.  
All other menus are programmed by the software of the set and must not be adjusted.

Menü Menu ^ v	Menüpunkt Point of Menu ● (OK)	Einstellung Adjustment < >	46 VLE 7339 BR	46 VLE 8003 BL	46 VLE 8009 BL	46 VLE 8160 WL	46 VLE 8221 BL	46 VLE 8270 BH	46 VLE 8270 BP	46 VLE 8270 CP
System Configuration	TV Mode	Customer Factory	X	X	X	X	X	X	X	X
	HDCP Verify		prüft HDCP im EEPROM / verifies HDCP in EEPROM							
	Debug Mode	On/Off	Off	Off	Off	Off	Off	Off	Off	Off
	Plug Play	On Off	ATS Reset: Netz ein → Automatischer Sendersuchlauf / Power on → automatic programme search							
	ATS	On/Off	On	On	On	On	On	On	On	On
	SRS	On/Off	On	On	On	On	On	On	On	On
	Blue Back	On/Off	On	On	On	On	On	On	On	On
	Hotel	On/Off	Off	Off	Off	Off	Off	Off	Off	Off
	CI Key Verify		prüft CI Key / verifies CI Key							
	Source Configuration Code 2356	ATV	Avail/Navail	Avail	Avail	Avail	Avail	Avail	Avail	Avail
Air		Avail/Navail	Avail	Avail	Avail	Avail	Avail	Avail	Avail	Avail
Cable		Avail/Navail	Avail	Avail	Avail	Avail	Avail	Avail	Avail	Avail
Satellite		Avail/Navail	Navail	Avail	Avail	Avail	Navail	Navail	Avail	Avail
USB		Avail/Navail	Avail	Avail	Avail	Avail	Avail	Avail	Avail	Avail
PC		Avail/Navail	Avail	Avail	Avail	Avail	Avail	Avail	Avail	Avail
HDMI1		Avail/Navail	Avail	Avail	Avail	Avail	Avail	Avail	Avail	Avail
HDMI2		Avail/Navail	Avail	Avail	Avail	Avail	Avail	Avail	Avail	Avail
HDMI3		Avail/Navail	Avail	Avail	Avail	Avail	Avail	Avail	Avail	Avail
HDMI4		Avail/Navail	Avail	Avail	Avail	Avail	Avail	Avail	Avail	Avail
AV1 (Scart)		Avail/Navail	Avail	Avail	Avail	Avail	Avail	Avail	Avail	Avail
AV2 (Cinch-AV)		Avail/Navail	Avail	Avail	Avail	Avail	Avail	Avail	Avail	Avail
Component		Avail/Navail	Avail	Avail	Avail	Avail	Avail	Avail	Avail	Avail
S-VHS (Scart)		Avail/Navail	Avail	Avail	Avail	Avail	Avail	Avail	Avail	Avail
DVD	Avail/Navail	Navail	Navail	Navail	Navail	Navail	Navail	Navail	Navail	
TV Configuration Code 2356	Tuner		Eingebauten Tuner wählen / Select used tuner							
	DVBT2	On/Off	On	Off	Off	Off	Off	Off	On	On
	OSD Selection	Grundig	Grundig	Grundig	Grundig	Grundig	Grundig	Grundig	Grundig	Grundig
	GRFSet1/USB Rec.	On/Off	On	Off	Off	On	Off	On	On	On
	Remote Control		Fernbedienung wählen / Select used remote control							
	Keypad	6 Button + 1 STD, 3 Button + 1 STD, 1 STD, Joystick	6 Button + 1 STD	6 Button + 1 STD	6 Button + 1 STD	6 Button + 1 STD	6 Button + 1 STD	6 Button + 1 STD	6 Button + 1 STD	6 Button + 1 STD
	L	On/Off	On	On	On	On	On	On	On	On
	MEMC	On/Off	On	On	On	On	Off	On	On	On
	7 Segment Display	On/Off	Off	Off	Off	Off	Off	Off	Off	Off
	Eco TV	On/Off	On	On	On	On	On	On	On	On
	Line Out	On/Off	Off	On	On	On	On	On	On	On
	Headphone	On/Off	On	On	On	On	On	On	On	On
	Shop Mode	On/Off	Off	Off	Off	Off	Off	Off	Off	Off
	3D TV	On/Off	Off	On	On	On	Off	On	On	On
	CEC	On/Off	On	Off	Off	On	Off	On	On	On
	Speaker Output Power	10W@8ohm, 15W@16ohm	10W@8Ω	10W@8Ω	10W@8Ω	10W@8Ω	10W@8Ω	10W@8Ω	10W@8Ω	10W@8Ω
	Subwoofer Power	10W@8ohm, Off	10W@8Ω	Off	Off	10W@8Ω	Off	10W@8Ω	10W@8Ω	10W@8Ω
	Hidev Mono	On/Off	Off	Off	Off	Off	Off	Off	Off	Off
	Optic Out	On/Off	On	On	On	On	On	On	On	On
	Sports Mode	On/Off	Off	Off	Off	Off	Off	Off	Off	Off
EPG Padding Time	On/Off	On	On	On	On	On	On	On	On	
BISS Key	On/Off	On	Off	Off	Off	Off	Off	On	On	
BMSled	On/Off	Off	Off	Off	Off	Off	Off	Off	Off	
EMC Adjust- ments Code 2356	AGC VHF	0...15	9	9	9	9	9	9	9	9
	AGC SECAM VHF	0...15	12	12	12	12	12	12	12	12
	AGC UHF	0...15	10	10	10	10	10	10	10	10
	AGC SECAM UHF	0...15	12	12	12	12	12	12	12	12
	AGC LPrime	0...15	12	12	12	12	12	12	12	12

Alle weiteren Menüs werden über die Gerätesoftware programmiert und dürfen nicht verstellt werden.  
All other menus are programmed by the software of the set and must not be adjusted.

Menü Menu ^ v	Menüpunkt Point of Menu ● (OK)	Einstellung Adjustment < >	46 VLE 8270 WP	55 VLE 9270 BH	55 VLE 9270 BL	55 VLE 9270 SL	55 VLE 9270 WL	55 VLE 9271 BL	55 VLE 9275 BP	55 VLE 9275 WP
System Configuration	TV Mode	Customer Factory	X	X	X	X	X	X	X	X
	HDCP Verify		prüft HDCP im EEPROM / verifies HDCP in EEPROM							
	Debug Mode	On/Off	Off	Off	Off	Off	Off	Off	Off	Off
	Plug Play	On Off	ATS Reset: Netz ein → Automatischer Sendersuchlauf / Power on → automatic programme search							
	ATS	On/Off	On	On	On	On	On	On	On	On
	SRS	On/Off	On	On	On	On	On	On	On	On
	Blue Back	On/Off	On	On	On	On	On	On	On	On
	Hotel	On/Off	Off	Off	Off	Off	Off	Off	Off	Off
	CI Key Verify		prüft CI Key / verifies CI Key							
	Source Configuration Code 2356	ATV	Avail/Navail	Avail	Avail	Avail	Avail	Avail	Avail	Avail
Air		Avail/Navail	Avail	Avail	Avail	Avail	Avail	Avail	Avail	Avail
Cable		Avail/Navail	Avail	Avail	Avail	Avail	Avail	Avail	Avail	Avail
Satellite		Avail/Navail	Avail	Navail	Avail	Avail	Avail	Avail	Avail	Avail
USB		Avail/Navail	Avail	Avail	Avail	Avail	Avail	Avail	Avail	Avail
PC		Avail/Navail	Avail	Avail	Avail	Avail	Avail	Avail	Avail	Avail
HDMI1		Avail/Navail	Avail	Avail	Avail	Avail	Avail	Avail	Avail	Avail
HDMI2		Avail/Navail	Avail	Avail	Avail	Avail	Avail	Avail	Avail	Avail
HDMI3		Avail/Navail	Avail	Avail	Avail	Avail	Avail	Avail	Avail	Avail
HDMI4		Avail/Navail	Avail	Avail	Avail	Avail	Avail	Avail	Avail	Avail
AV1 (Scart)		Avail/Navail	Avail	Avail	Avail	Avail	Avail	Avail	Avail	Avail
AV2 (Cinch-AV)		Avail/Navail	Avail	Avail	Avail	Avail	Avail	Avail	Avail	Avail
Component		Avail/Navail	Avail	Avail	Avail	Avail	Avail	Avail	Avail	Avail
S-VHS (Scart)		Avail/Navail	Avail	Avail	Avail	Avail	Avail	Avail	Avail	Avail
DVD	Avail/Navail	Navail	Navail	Navail	Navail	Navail	Navail	Navail	Navail	
TV Configuration Code 2356	Tuner		Eingebauten Tuner wählen / Select used tuner							
	DVB T2	On/Off	On	Off	Off	Off	Off	Off	On	On
	OSD Selection	Grundig	Grundig	Grundig	Grundig	Grundig	Grundig	Grundig	Grundig	Grundig
	GRFSet1/USB Rec.	On/Off	On	On	On	On	On	On	On	On
	Remote Control		Fernbedienung wählen / Select used remote control							
	Keypad	6 Button + 1 STD, 3 Button + 1 STD, 1 STD, Joystick	6 Button + 1 STD	6 Button + 1 STD	6 Button + 1 STD	6 Button + 1 STD	6 Button + 1 STD	6 Button + 1 STD	6 Button + 1 STD	6 Button + 1 STD
	L	On/Off	On	On	On	On	On	On	On	On
	MEMC	On/Off	On	On	On	On	On	On	On	On
	7 Segment Display	On/Off	Off	Off	Off	Off	Off	Off	Off	Off
	Eco TV	On/Off	On	On	On	On	On	On	On	On
	Line Out	On/Off	On	On	On	On	On	On	On	On
	Headphone	On/Off	On	On	On	On	On	On	On	On
	Shop Mode	On/Off	Off	Off	Off	Off	Off	Off	Off	Off
	3D TV	On/Off	On	On	On	On	On	On	On	On
	CEC	On/Off	On	On	On	On	On	Off	On	On
	Speaker Output Power	10W@8ohm, 15W@16ohm	10W@8Ω	15W@16Ω	15W@16Ω	15W@16Ω	15W@16Ω	15W@16Ω	15W@16Ω	15W@16Ω
	Subwoofer Power	10W@8ohm, Off	10W@8Ω	10W@8Ω	10W@8Ω	10W@8Ω	10W@8Ω	10W@8Ω	10W@8Ω	10W@8Ω
	Hidev Mono	On/Off	Off	Off	Off	Off	Off	Off	Off	Off
	Optic Out	On/Off	On	On	On	On	On	On	On	On
	Sports Mode	On/Off	Off	Off	Off	Off	Off	Off	Off	Off
EPG Padding Time	On/Off	On	On	On	On	On	On	On	On	
BISS Key	On/Off	On	Off	Off	Off	Off	Off	On	On	
BMSled	On/Off	Off	Off	Off	Off	Off	Off	Off	Off	
EMC Adjust- ments Code 2356	AGC VHF	0...15	9	9	9	9	9	9	9	9
	AGC SECAM VHF	0...15	12	12	12	12	12	12	12	12
	AGC UHF	0...15	10	10	10	10	10	10	10	10
	AGC SECAM UHF	0...15	12	12	12	12	12	12	12	12
	AGC LPrime	0...15	12	12	12	12	12	12	12	12

Alle weiteren Menüs werden über die Gerätesoftware programmiert und dürfen nicht verstellt werden.  
All other menus are programmed by the software of the set and must not be adjusted.

Menü Menü ^ v	Menüpunkt Point of Menu ● (OK)	Einstellung Adjustment < >	55 VLE 9279 BP	55 VLE 9279 WP	Fine Arts 46 FLE 9170 SH	Fine Arts 55 FLE 9170 SH	Rom 46 CLE 8235 BL	Rom 46 CLE 8270 BP	Sydney 55 CLE 9275 BL	Sydney 55 CLE 9275 SL
System Configuration	TV Mode	Customer Factory	X	X	X	X	X	X	X	X
	HDCP Verify		prüft HDCP im EEPROM / verifies HDCP in EEPROM							
	Debug Mode	On/Off	Off	Off	Off	Off	Off	Off	Off	Off
	Plug Play	On Off	ATS Reset: Netz ein -> Automatischer Sendersuchlauf / Power on -> automatic programme search							
	ATS	On/Off	On	On	On	On	On	On	On	On
	SRS	On/Off	On	On	On	On	On	On	On	On
	Blue Back	On/Off	On	On	On	On	On	On	On	On
	Hotel	On/Off	Off	Off	Off	Off	Off	Off	Off	Off
	CI Key Verify		prüft CI Key / verifies CI Key							
	Source Configuration Code 2356	ATV	Avail/Navail	Avail	Avail	Avail	Avail	Avail	Avail	Avail
Air		Avail/Navail	Avail	Avail	Avail	Avail	Avail	Avail	Avail	Avail
Cable		Avail/Navail	Avail	Avail	Avail	Avail	Avail	Avail	Avail	Avail
Satellite		Avail/Navail	Avail	Avail	Navail	Navail	Avail	Avail	Avail	Avail
USB		Avail/Navail	Avail	Avail	Avail	Avail	Avail	Avail	Avail	Avail
PC		Avail/Navail	Avail	Avail	Avail	Avail	Avail	Avail	Avail	Avail
HDMI1		Avail/Navail	Avail	Avail	Avail	Avail	Avail	Avail	Avail	Avail
HDMI2		Avail/Navail	Avail	Avail	Avail	Avail	Avail	Avail	Avail	Avail
HDMI3		Avail/Navail	Avail	Avail	Avail	Avail	Avail	Avail	Avail	Avail
HDMI4		Avail/Navail	Avail	Avail	Avail	Avail	Avail	Avail	Avail	Avail
AV1 (Scart)		Avail/Navail	Avail	Avail	Avail	Avail	Avail	Avail	Avail	Avail
AV2 (Cinch-AV)		Avail/Navail	Avail	Avail	Avail	Avail	Avail	Avail	Avail	Avail
Component		Avail/Navail	Avail	Avail	Avail	Avail	Avail	Avail	Avail	Avail
S-VHS (Scart)		Avail/Navail	Avail	Avail	Avail	Avail	Avail	Avail	Avail	Avail
DVD	Avail/Navail	Navail	Navail	Navail	Navail	Navail	Navail	Navail	Navail	
TV Configuration Code 2356	Tuner		Eingebauten Tuner wählen / Select used tuner							
	DVB T2	On/Off	On	On	Off	Off	Off	On	Off	Off
	OSD Selection	Grundig	Grundig	Grundig	Grundig	Grundig	Grundig	Grundig	Grundig	Grundig
	GRFSet1/USB Rec.	On/Off	On	On	On	On	On	On	On	On
	Remote Control		Fernbedienung wählen / Select used remote control							
	Keypad	6 Button + 1 STD, 3 Button + 1 STD, 1 STD, Joystick	6 Button + 1 STD	6 Button + 1 STD	6 Button + 1 STD	6 Button + 1 STD	6 Button + 1 STD	6 Button + 1 STD	6 Button + 1 STD	6 Button + 1 STD
	L	On/Off	On	On	On	On	On	On	On	On
	MEMC	On/Off	On	On	On	On	On	On	On	On
	7 Segment Display	On/Off	Off	Off	Off	Off	Off	Off	Off	Off
	Eco TV	On/Off	On	On	On	On	On	On	On	On
	Line Out	On/Off	On	On	On	On	On	On	On	On
	Headphone	On/Off	On	On	On	On	On	On	On	On
	Shop Mode	On/Off	Off	Off	Off	Off	Off	Off	Off	Off
	3D TV	On/Off	On	On	On	On	Off	On	On	On
	CEC	On/Off	On	Off	On	On	Off	On	Off	Off
	Speaker Output Power	10W@8ohm, 15W@16ohm	15W@16Ω	15W@16Ω	10W@8Ω	10W@8Ω	10W@8Ω	10W@8Ω	15W@16Ω	15W@16Ω
	Subwoofer Power	10W@8ohm, Off	10W@8Ω	10W@8Ω	10W@8Ω	10W@8Ω	10W@8Ω	10W@8Ω	10W@8Ω	10W@8Ω
	Hidev Mono	On/Off	Off	Off	Off	Off	Off	Off	Off	Off
	Optic Out	On/Off	On	On	On	On	On	On	On	On
	Sports Mode	On/Off	Off	Off	Off	Off	Off	Off	Off	Off
EPG Padding Time	On/Off	On	On	On	On	On	On	On	On	
BISS Key	On/Off	On	On	Off	Off	Off	On	Off	Off	
BMSled	On/Off	Off	Off	Off	Off	Off	Off	Off	Off	
EMC Adjust- ments Code 2356	AGC VHF	0...15	9	9	9	9	9	9	9	9
	AGC SECAM VHF	0...15	12	12	12	12	12	12	12	12
	AGC UHF	0...15	10	10	10	10	10	10	10	10
	AGC SECAM UHF	0...15	12	12	12	12	12	12	12	12
	AGC LPrime	0...15	12	12	12	12	12	12	12	12

Alle weiteren Menüs werden über die Gerätesoftware programmiert und dürfen nicht verstellt werden.  
All other menus are programmed by the software of the set and must not be adjusted.

**2. Software-Versionsnummer**

Die Software-Versionsnummer wird unten im Menü Einstellungen und im Service Menü angezeigt.

z.B.: TPGRMR.....V05.013.00

**2. Software Version Number**

The software version number is shown on the lower part of the options menu and the service menu.

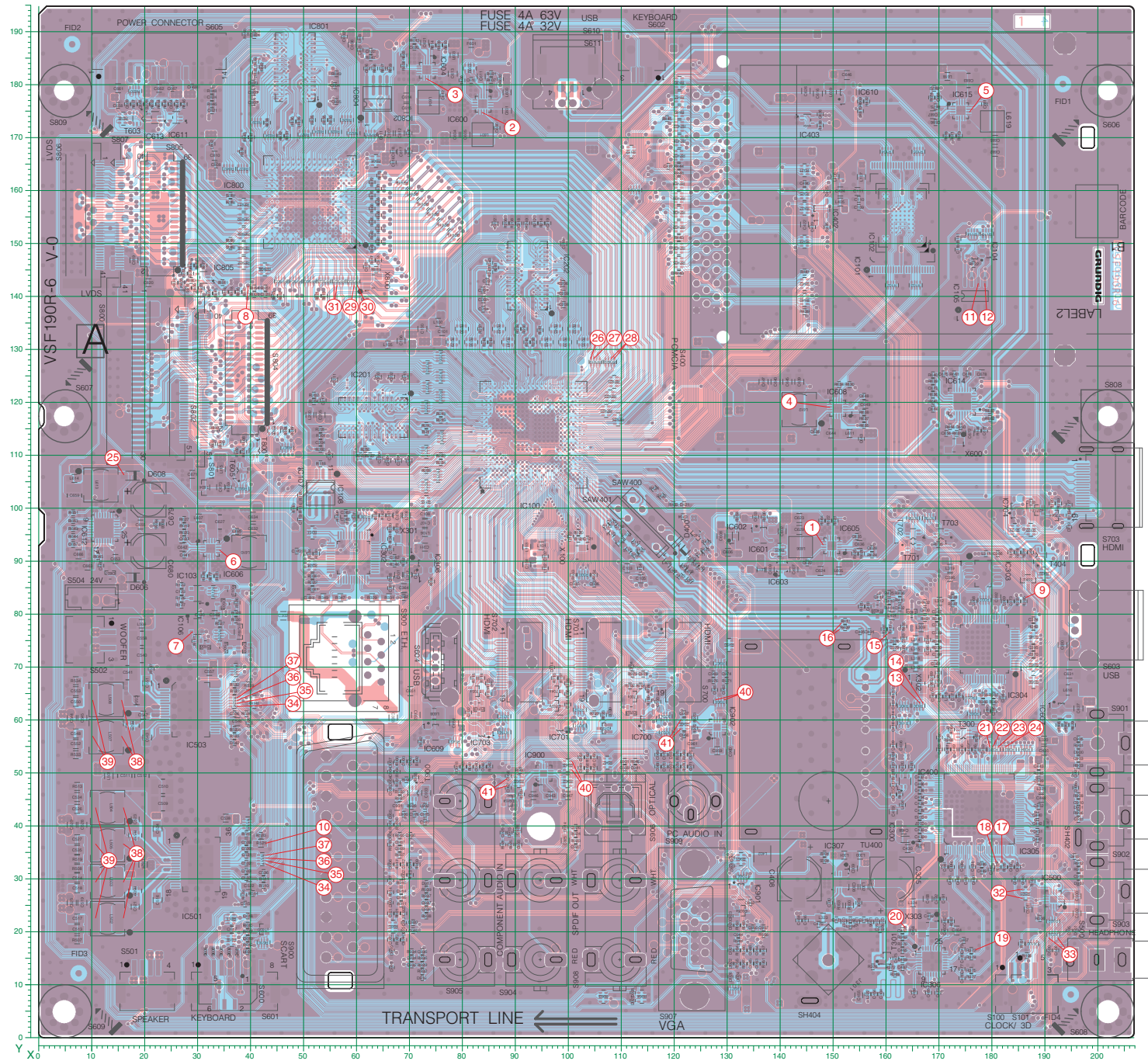
e.g.: TPGRMR.....V05.013.00





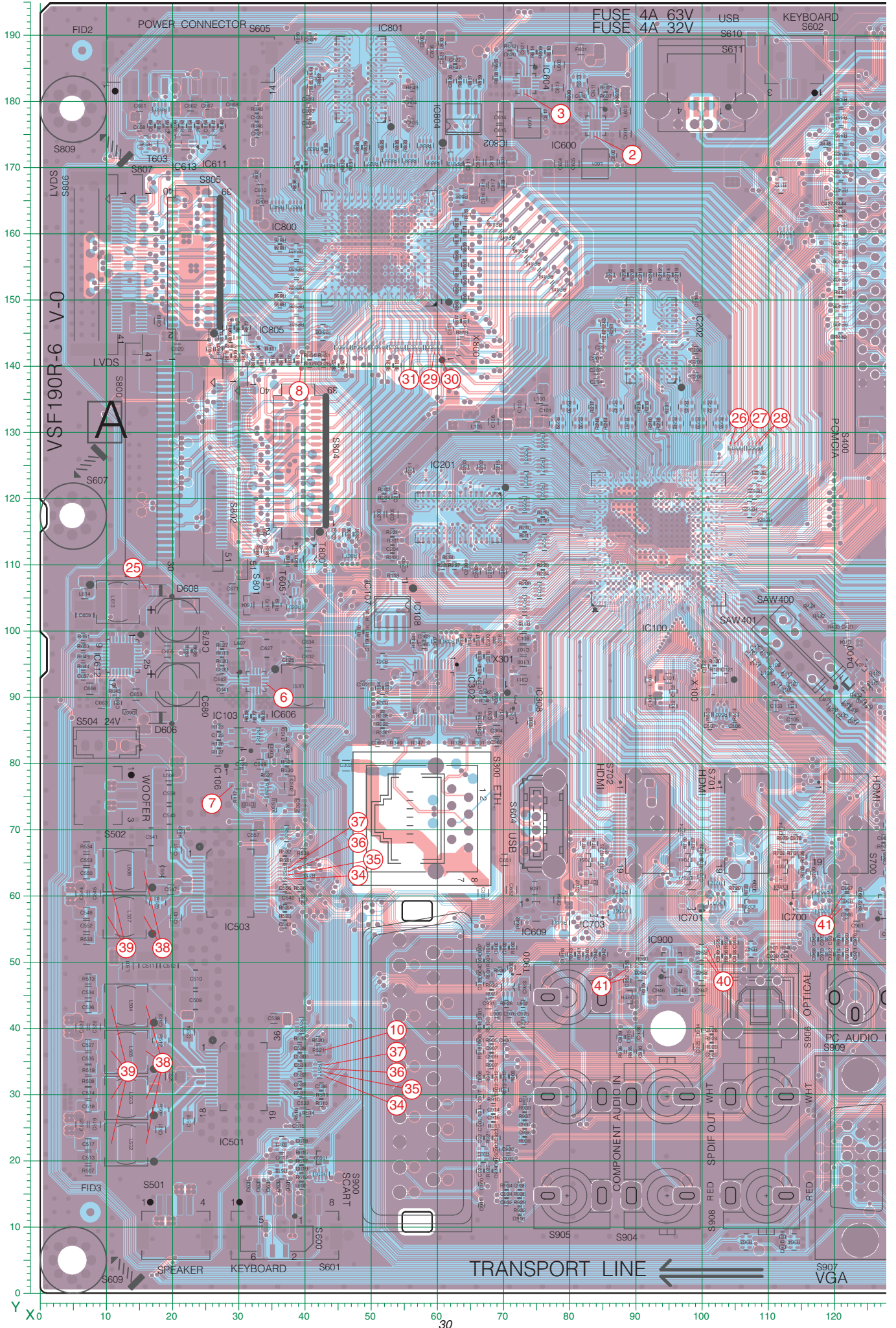
# Chassisplatte / Chassis Board VSF190R-6

Ansicht von der Bestückungsseite  
View of Component Side



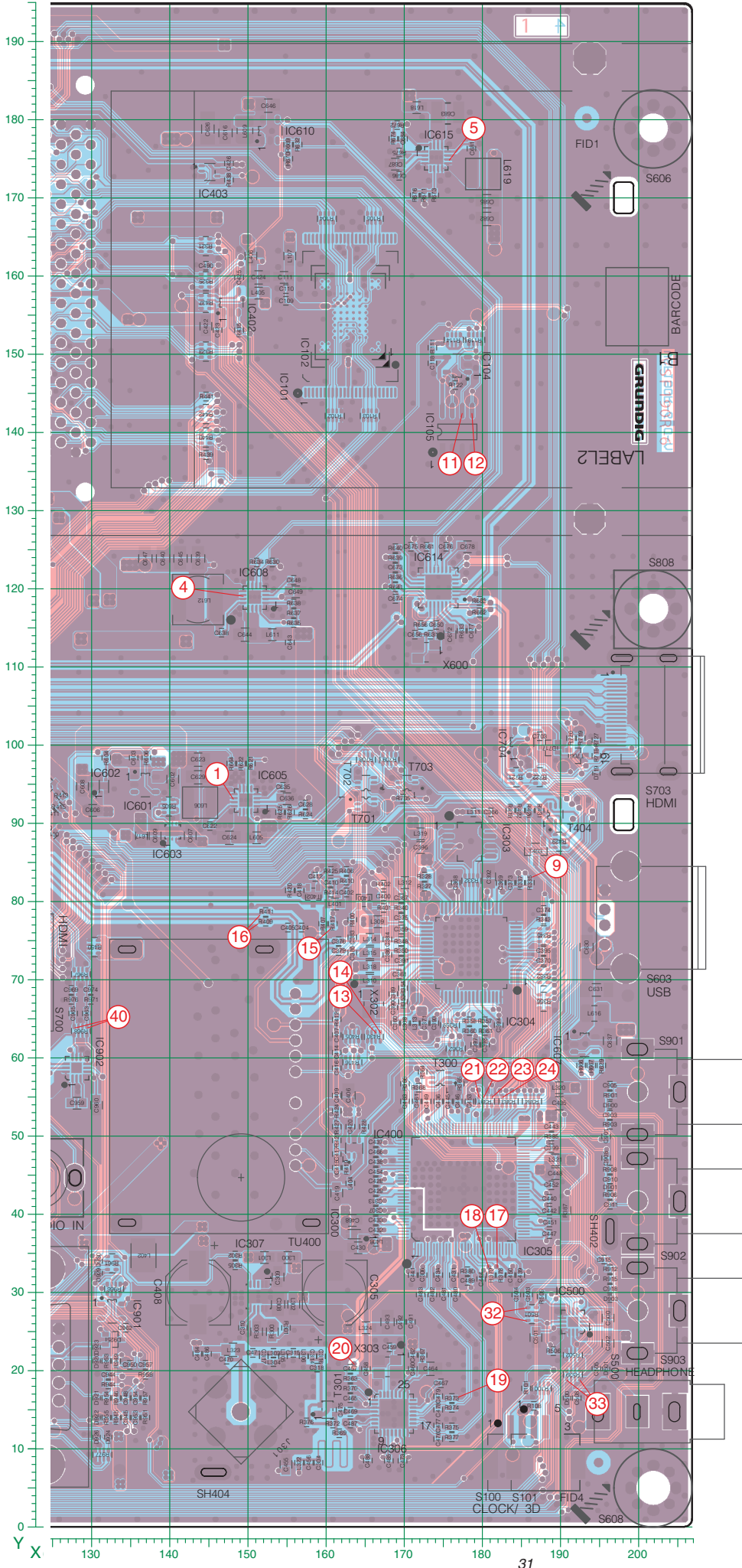
Chassisplatte / Chassis Board VSF190R-6

Ansicht von der Bestückungsseite / View of Component Side



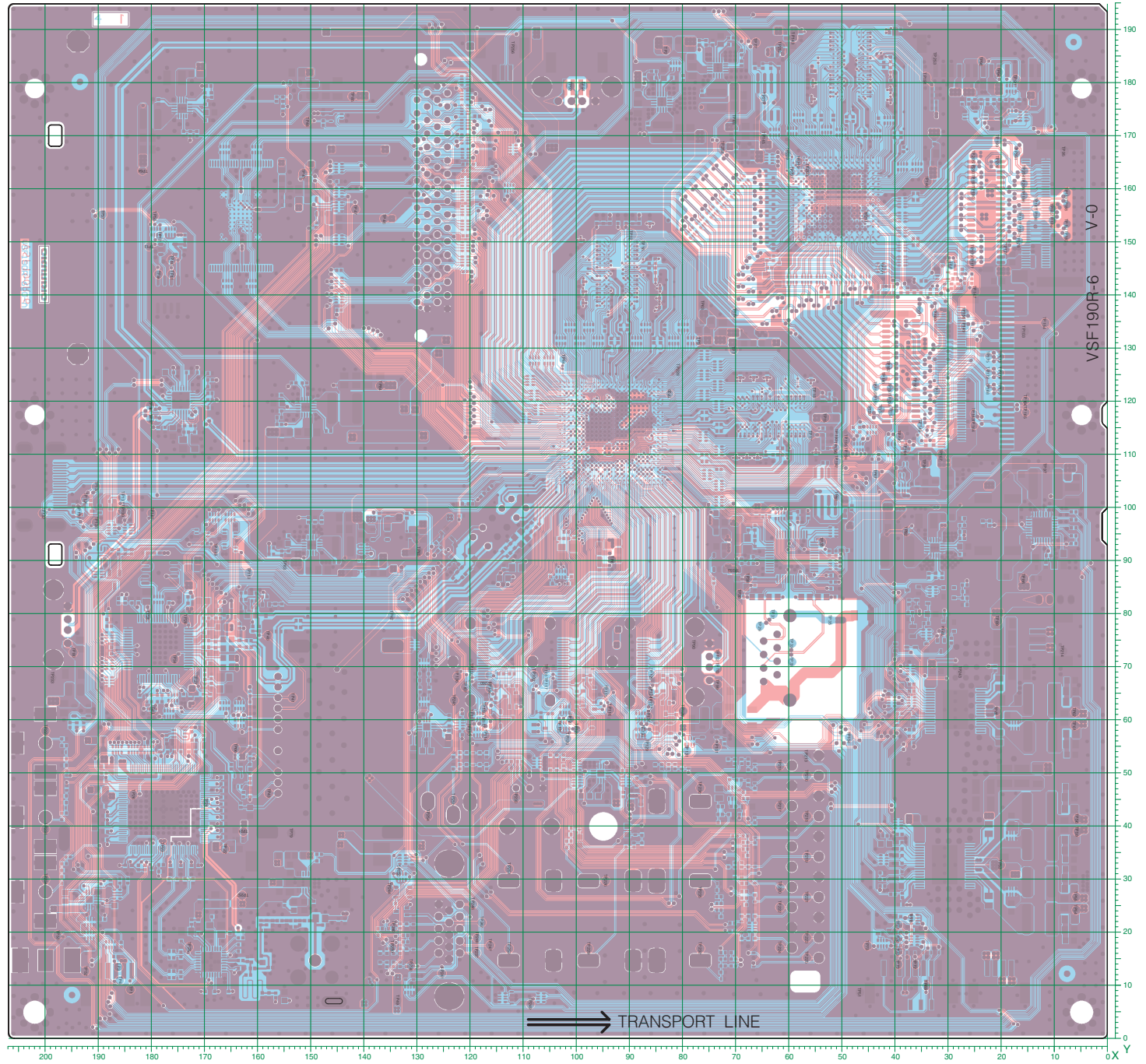
Chassisplatte / Chassis Board VSF190R-6

Ansicht von der Bestückungsseite / View of Component Side



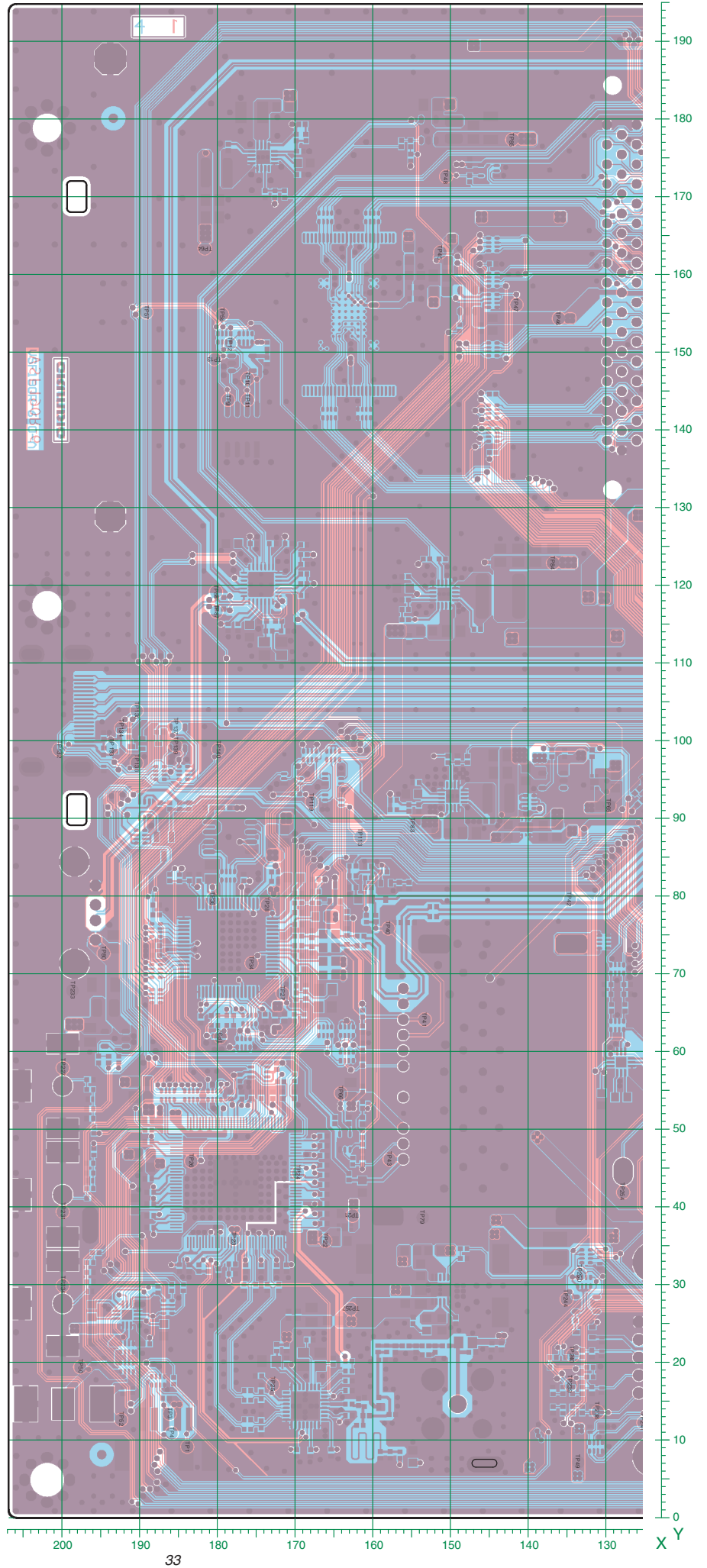
**Chassisplatte / Chassis Board VSF190R-6**

Ansicht von der Lötseite  
View of Solder Side



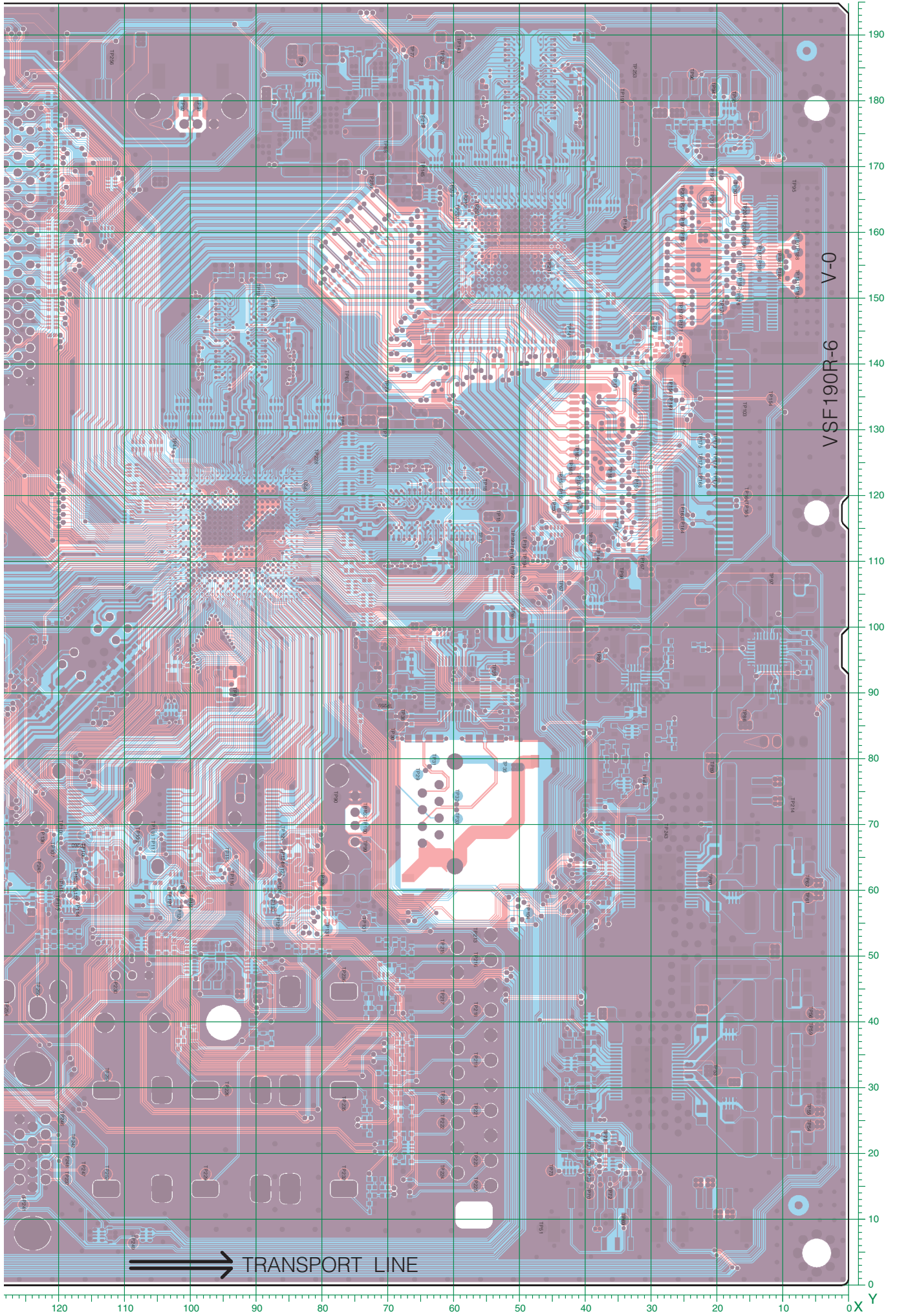
Chassisplatte / Chassis Board VSF190R-6

Ansicht von der Lötseite / View of Solder Side



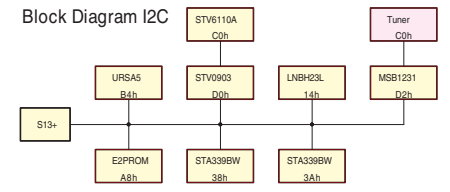
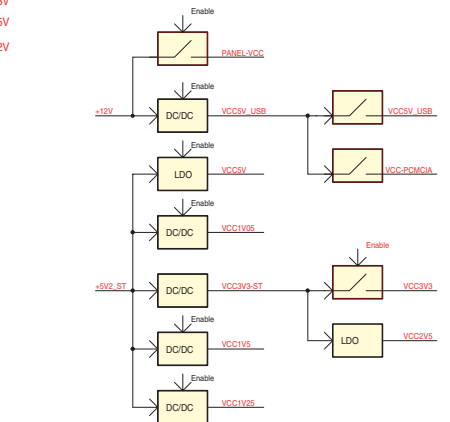
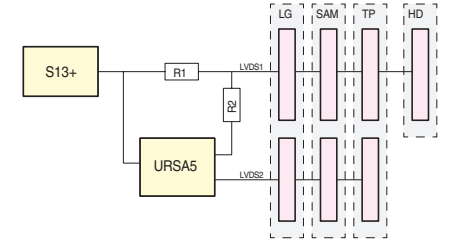
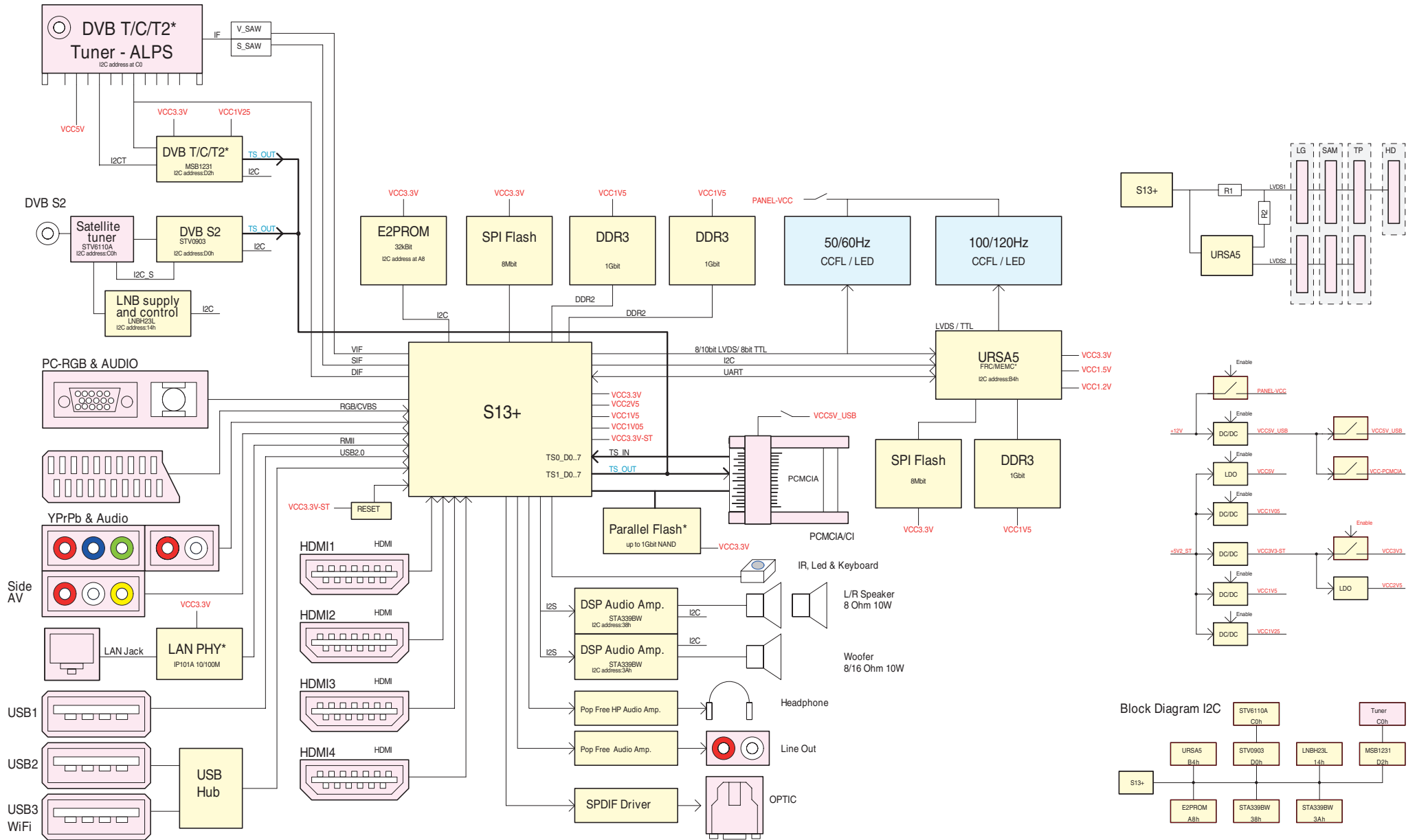
Chassisplatte / Chassis Board VSF190R-6

Ansicht von der Lötseite / View of Solder Side

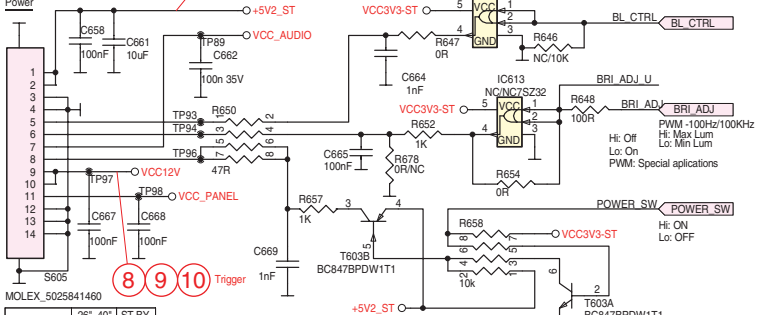
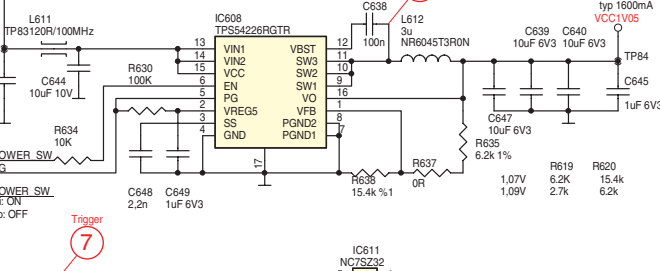
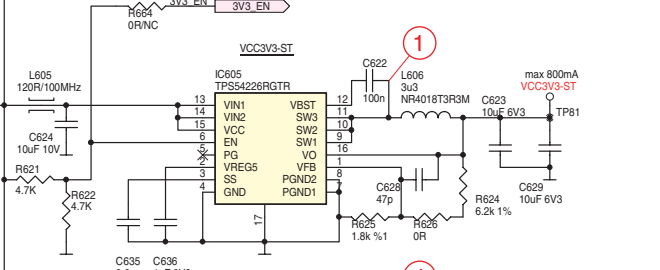
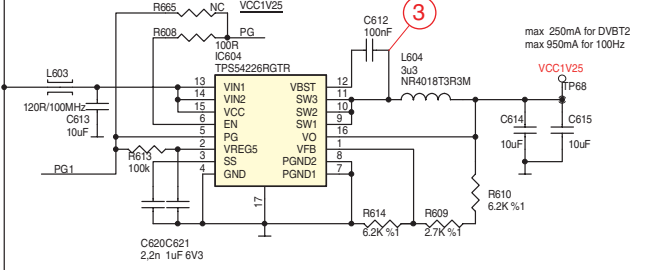
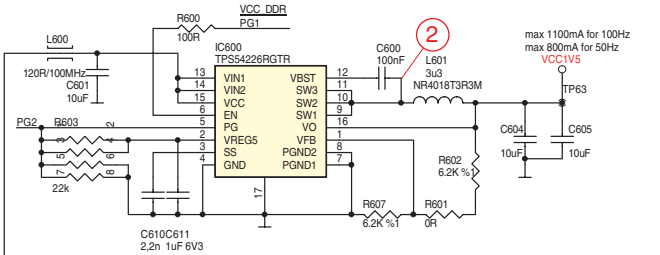
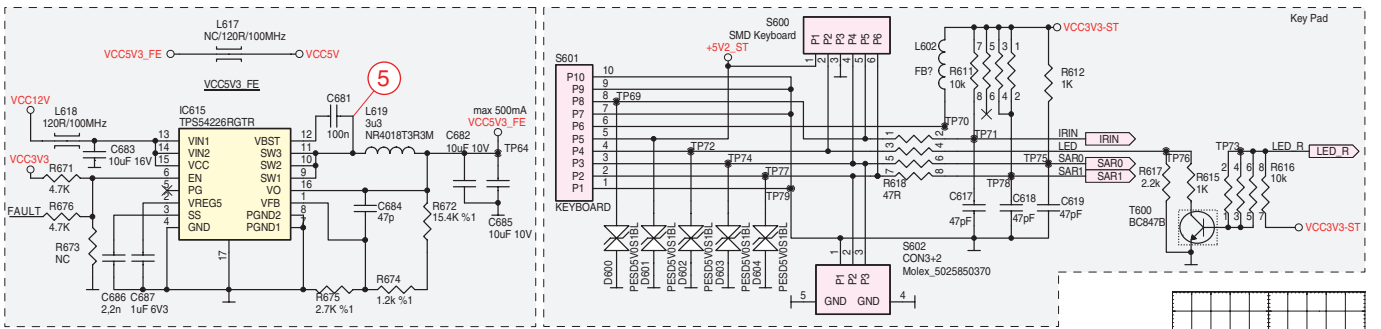


# Chassisplatte – Blockschartplan / Chassis Board – Block Circuit Diagram

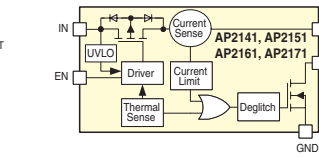
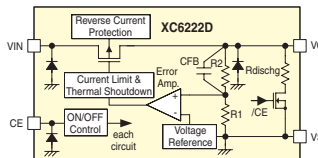
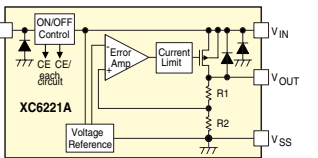
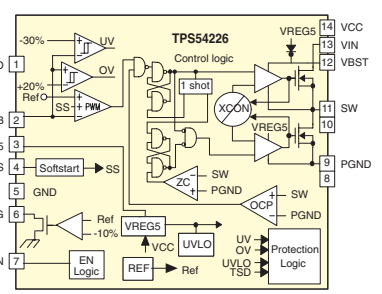
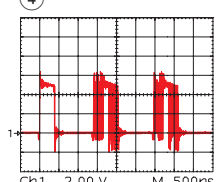
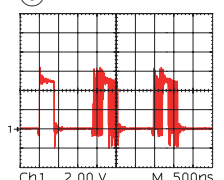
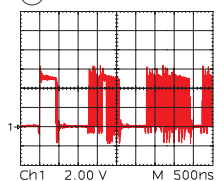
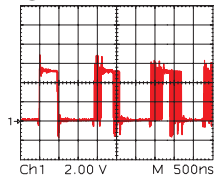
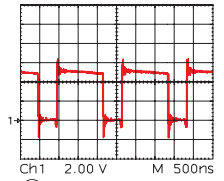
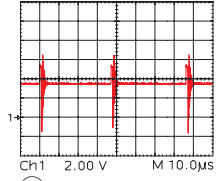
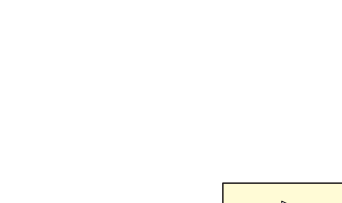
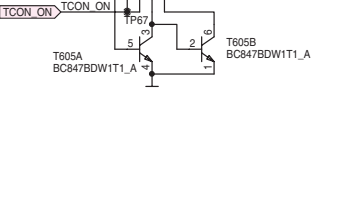
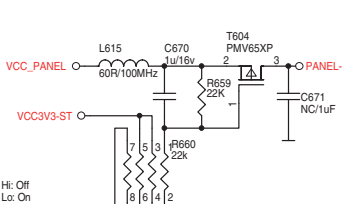
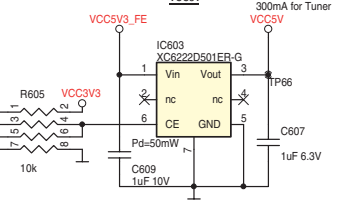
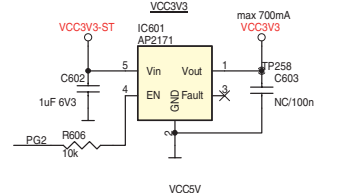
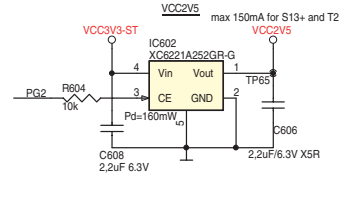
35



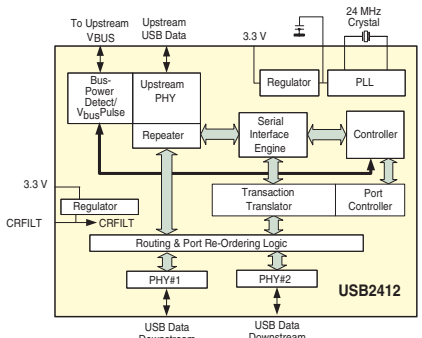
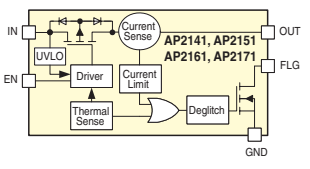
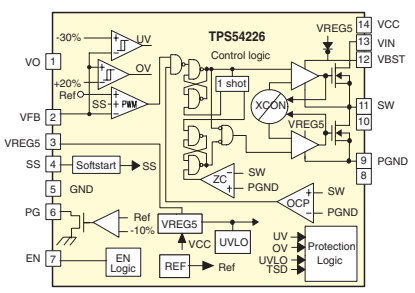
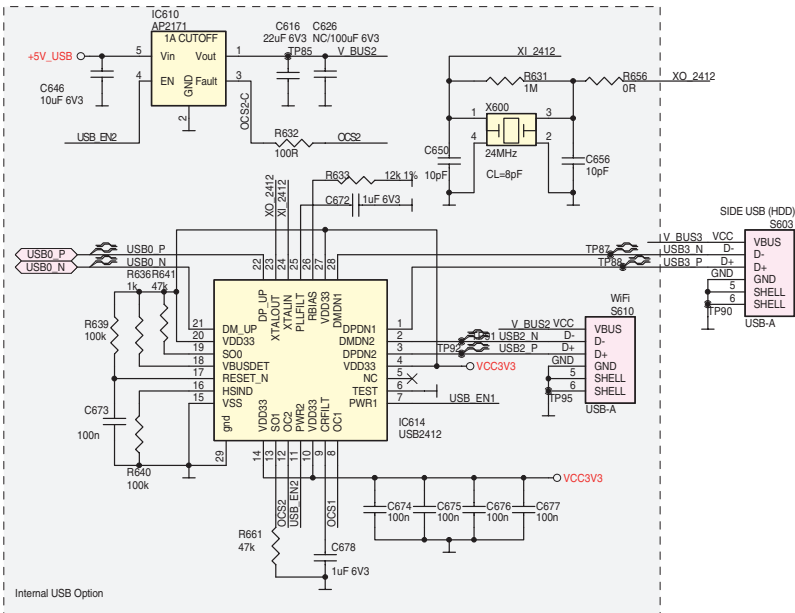
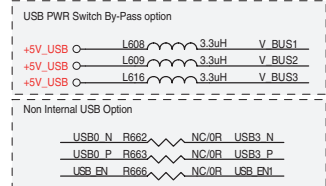
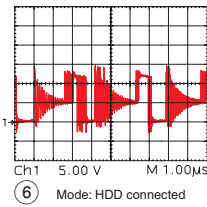
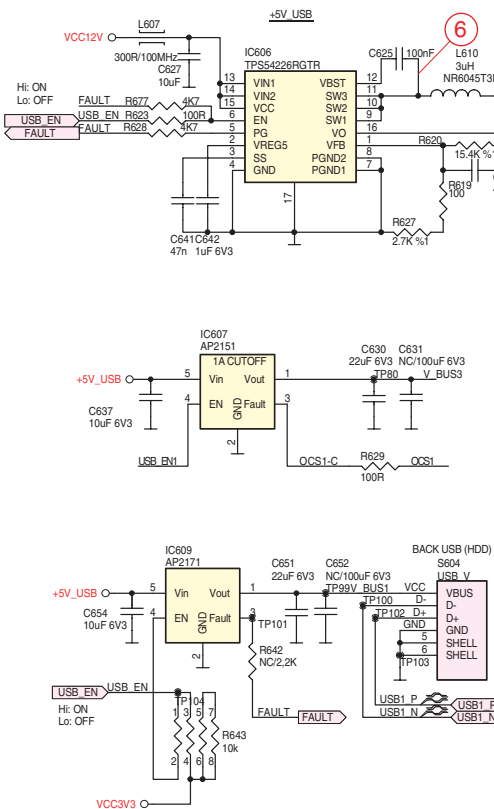
# Chassisplatte – Netzteil / Chassis Board – Power Supply



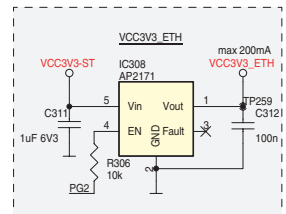
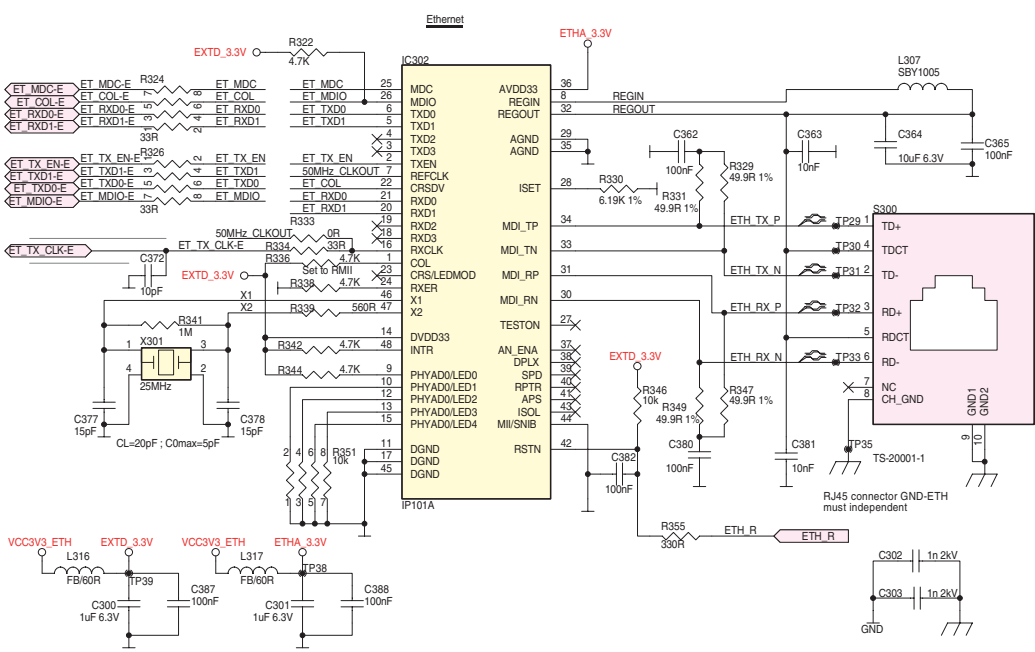
VCC_AUDIO	24V	OFF
VCC_PANEL	12V	OFF
VCC12V	12V	OFF
+5V2_ST	5.25V	ON



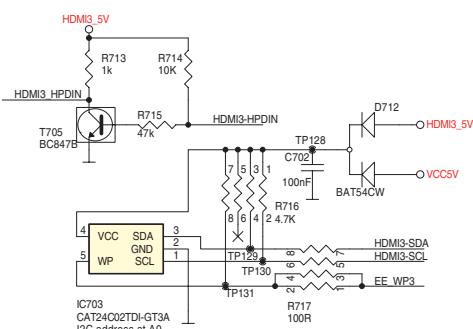
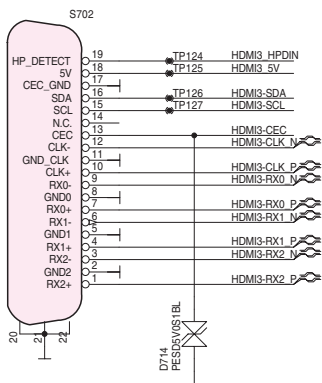
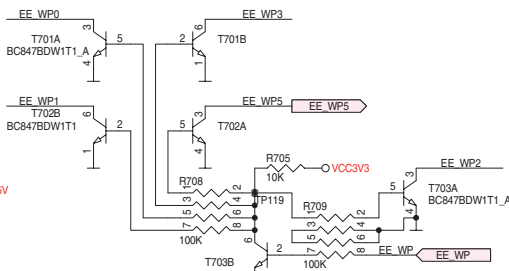
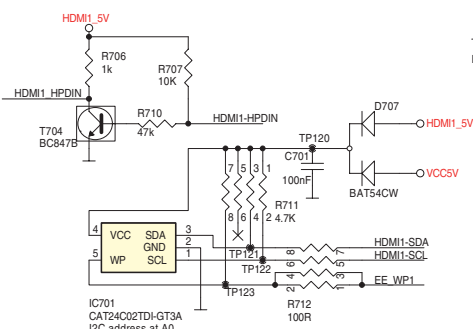
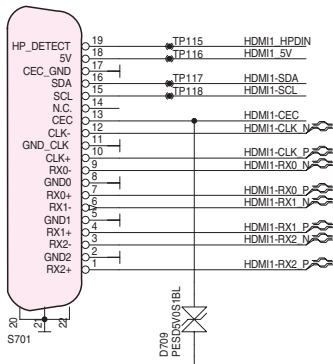
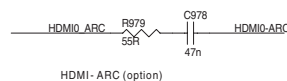
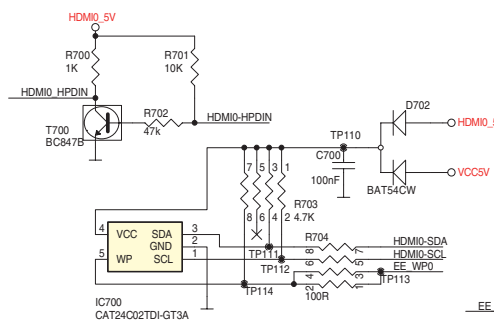
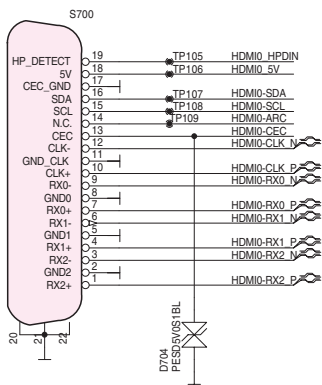
# Chassisplatte / Chassis Board – USB



# Chassisplatte / Chassis Board – LAN



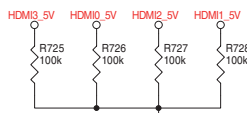
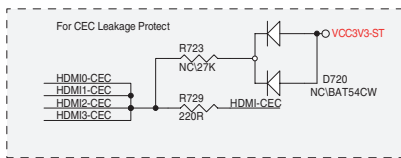
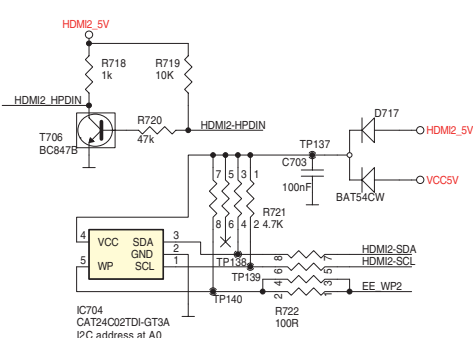
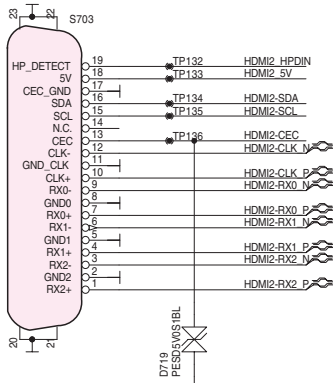
# Chassisplatte / Chassis Board – HDMI



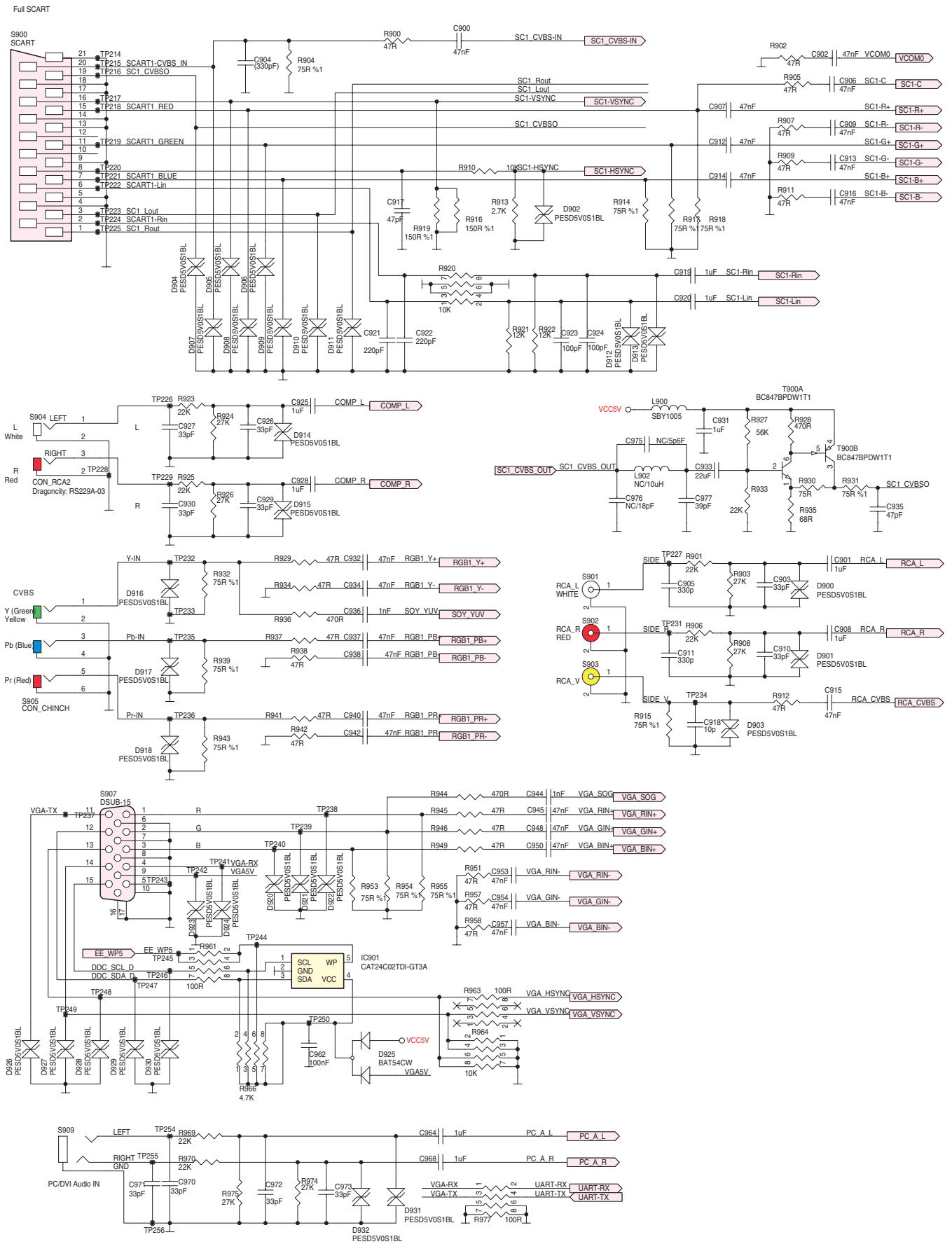
ATMEL  
ONSEMI  
MICROCHIP  
FREMONT

AT24C02C-STHM-B  
CAT24C02TDI-GT3A  
24LC02B-IOT  
FT24C02A-U/S/L-T

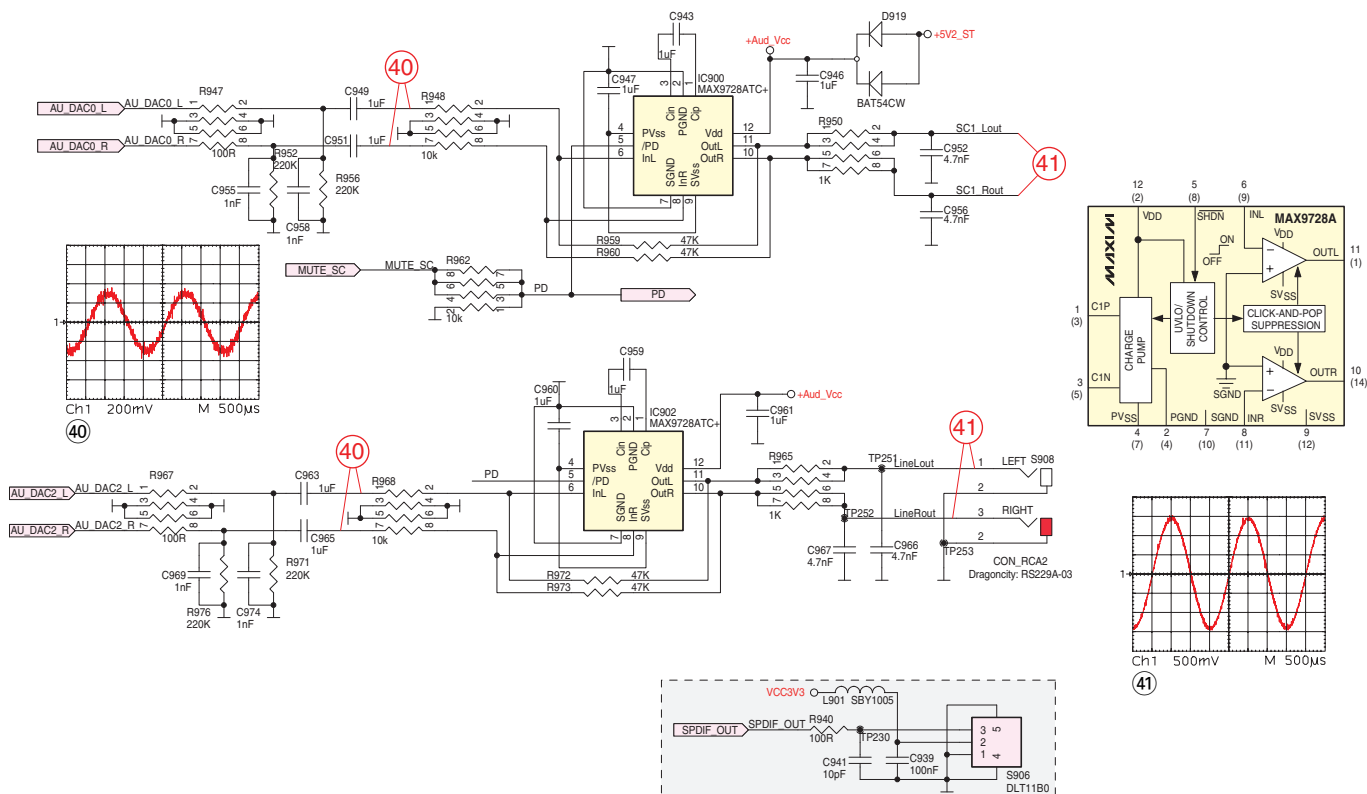
IC100G	HDMI
HDMI-CEC	J6 CEC
HDMI0-HPDIN	M5 HOTPLUGA
HDMI0-SCL	L5 DDCDA CK
HDMI0-SDA	M6 DDCDA DA
HDMI0-CLK P	G1 RXACKP
HDMI0-CLK N	G2 RXACKN
HDMI0-RX0 P	H5 RXA0P
HDMI0-RX0 N	G3 RXA0N
HDMI0-RX1 P	J5 RXA1P
HDMI0-RX1 N	H3 RXA1N
HDMI0-RX2 P	J6 RXA2P
HDMI0-RX2 N	J1 RXA2N
HDMI1-HPDIN	L6 HOTPLUGB
HDMI1-SCL	K6 DDCDB CK
HDMI1-SDA	K5 DDCDB DA
HDMI1-CLK P	D2 RXBCKP
HDMI1-CLK N	D1 RXBCKN
HDMI1-RX0 P	E5 RXB0P
HDMI1-RX0 N	D5 RXB0N
HDMI1-RX1 P	F5 RXB1P
HDMI1-RX1 N	E3 RXB1N
HDMI1-RX2 P	F6 RXB2P
HDMI1-RX2 N	F1 RXB2N
HDMI2-HPDIN	AD5 HOTPLUGC
HDMI2-SCL	AC5 DDCDC CK
HDMI2-SDA	AD6 DDCDC DA
HDMI2-CLK P	AD7 RXCCCKP
HDMI2-CLK N	AC7 RXCCCKN
HDMI2-RX0 P	AC5 RXC0P
HDMI2-RX0 N	AE5 RXC0N
HDMI2-RX1 P	AD5 RXC1P
HDMI2-RX1 N	AE5 RXC1N
HDMI2-RX2 P	AD5 RXC2P
HDMI2-RX2 N	AC5 RXC2N
HDMI3-HPDIN	K6 HOTPLUGD
HDMI3-SCL	J6 DDCDD CK
HDMI3-SDA	J5 DDCDD DA
HDMI3-CLK P	A2 RXDCKP
HDMI3-CLK N	B5 RXDCKN
HDMI3-RX0 P	B5 RXD0P
HDMI3-RX0 N	A1 RXD0N
HDMI3-RX1 P	C5 RXD1P
HDMI3-RX1 N	C5 RXD1N
HDMI3-RX2 P	C5 RXD2P
HDMI3-RX2 N	C1 RXD2N
HDMI0_ARC	Y4 ARCO



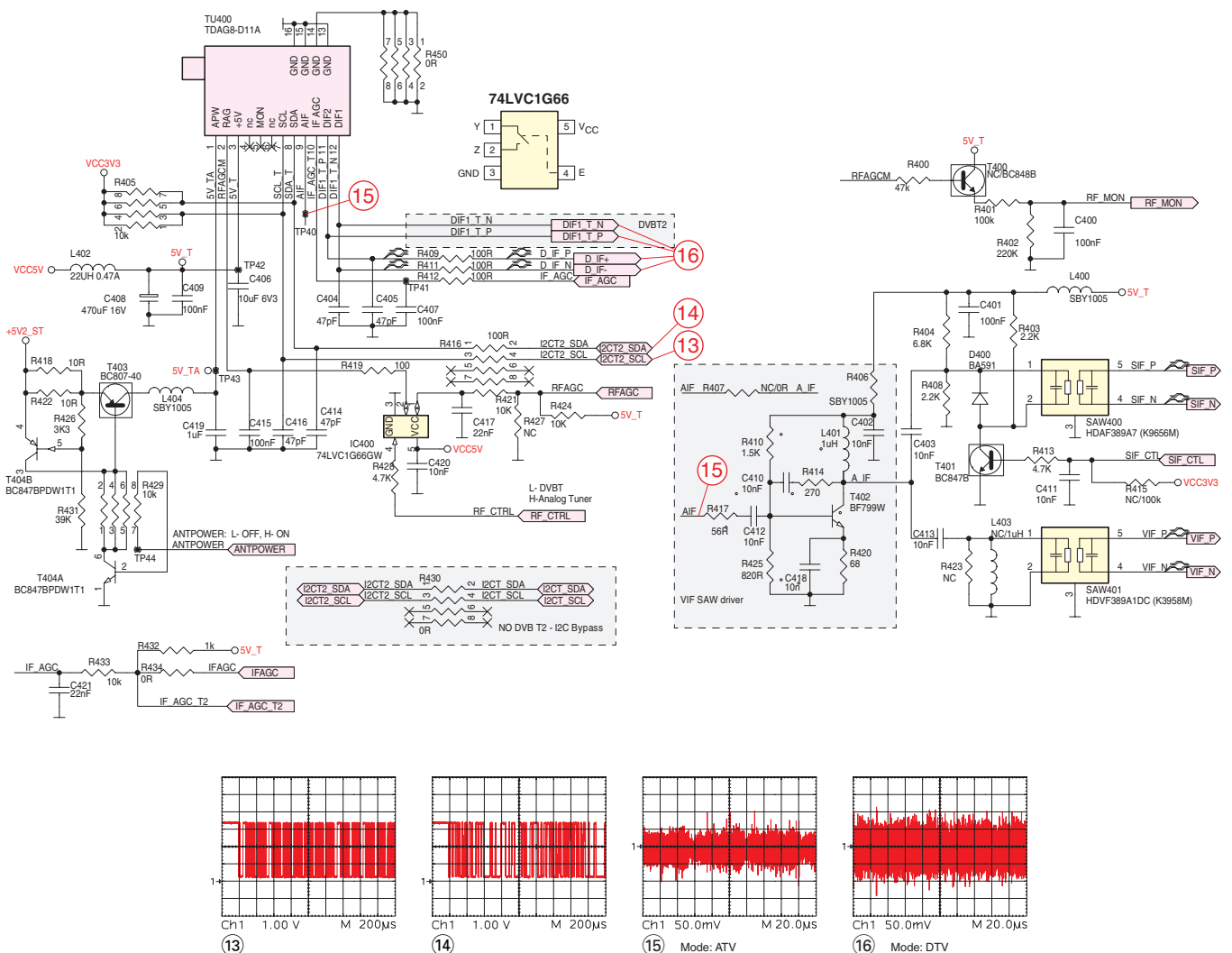
# Chassisplatte / Chassis Board – SCART, VGA, CV, YUV



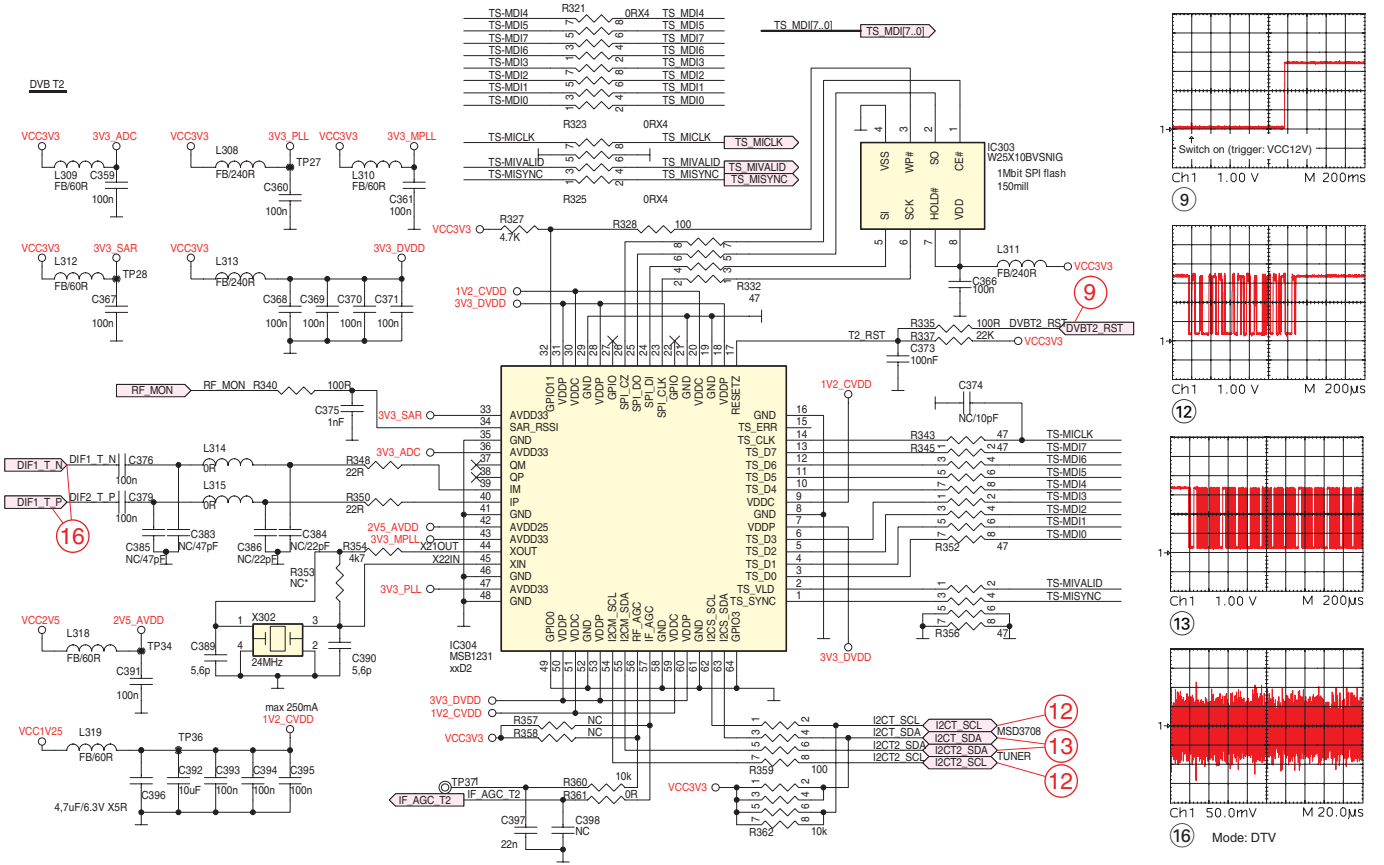
Chassisplatte / Chassis Board – SCART, VGA, CV, YUV



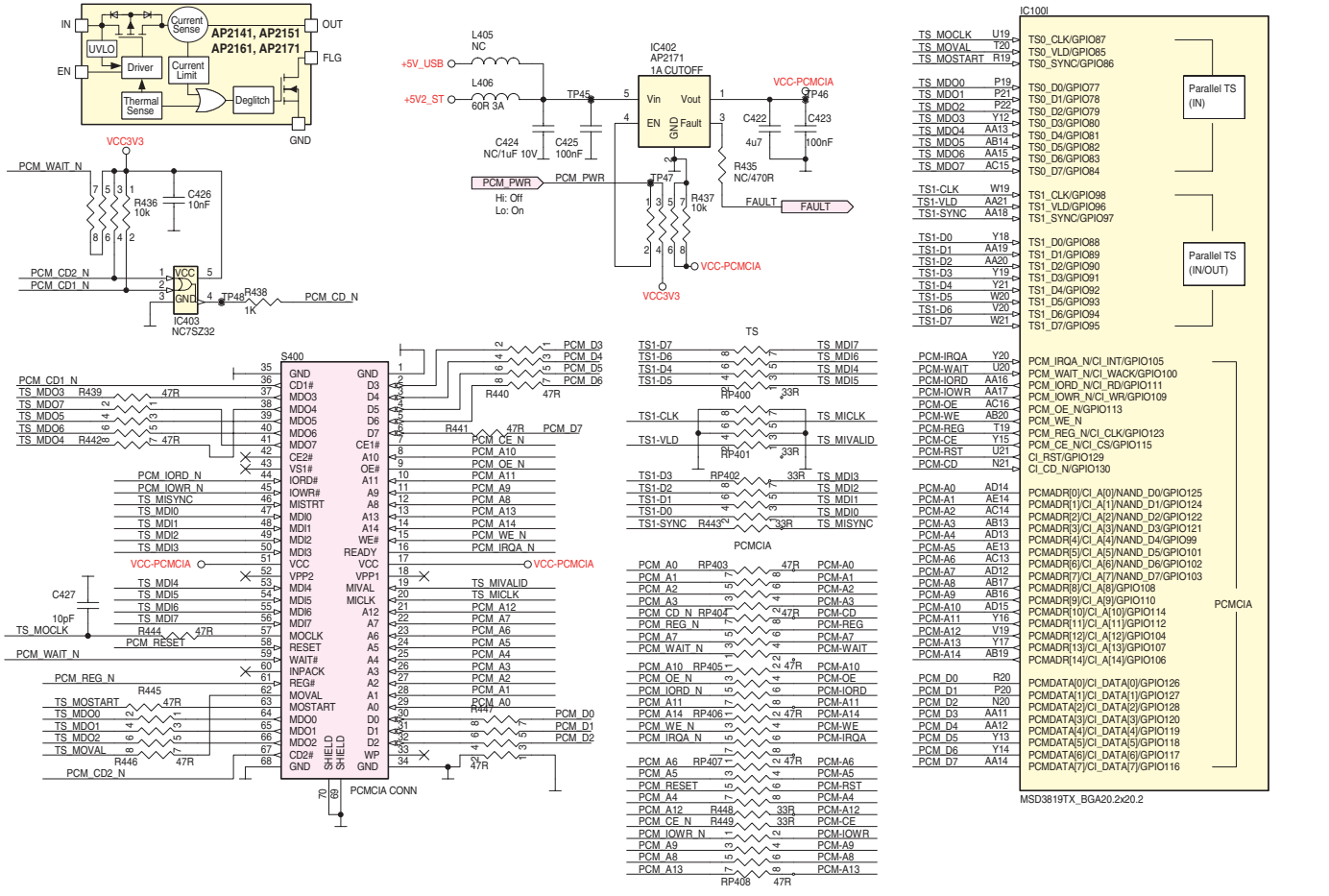
Chassisplatte / Chassis Board – Tuner



### Chassisplatte / Chassis Board – DVB-T2

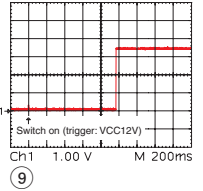
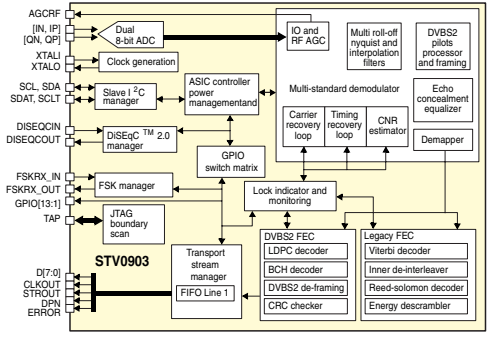
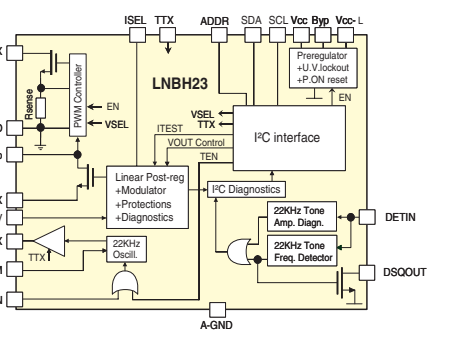
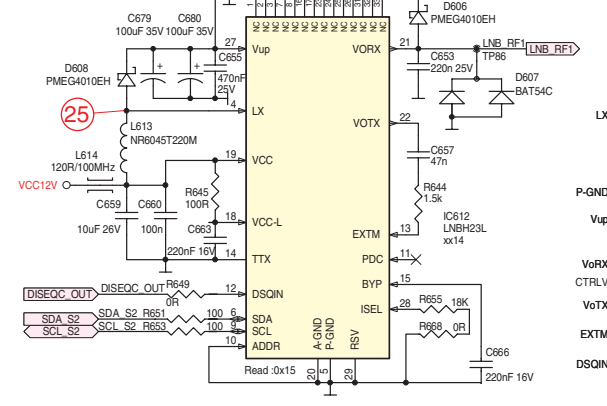
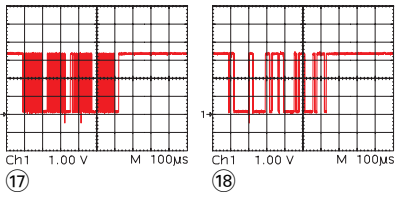
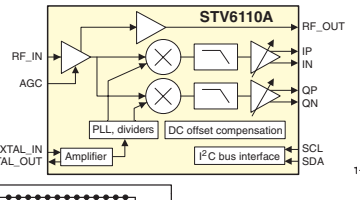
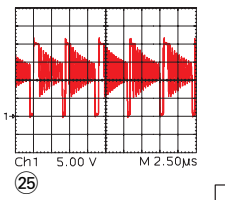
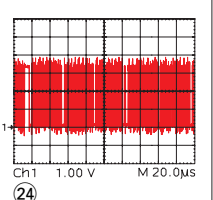
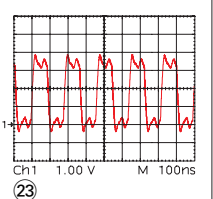
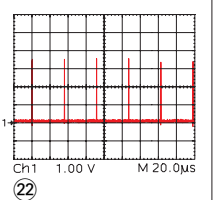
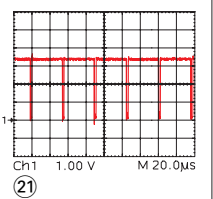
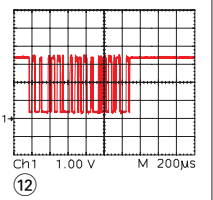
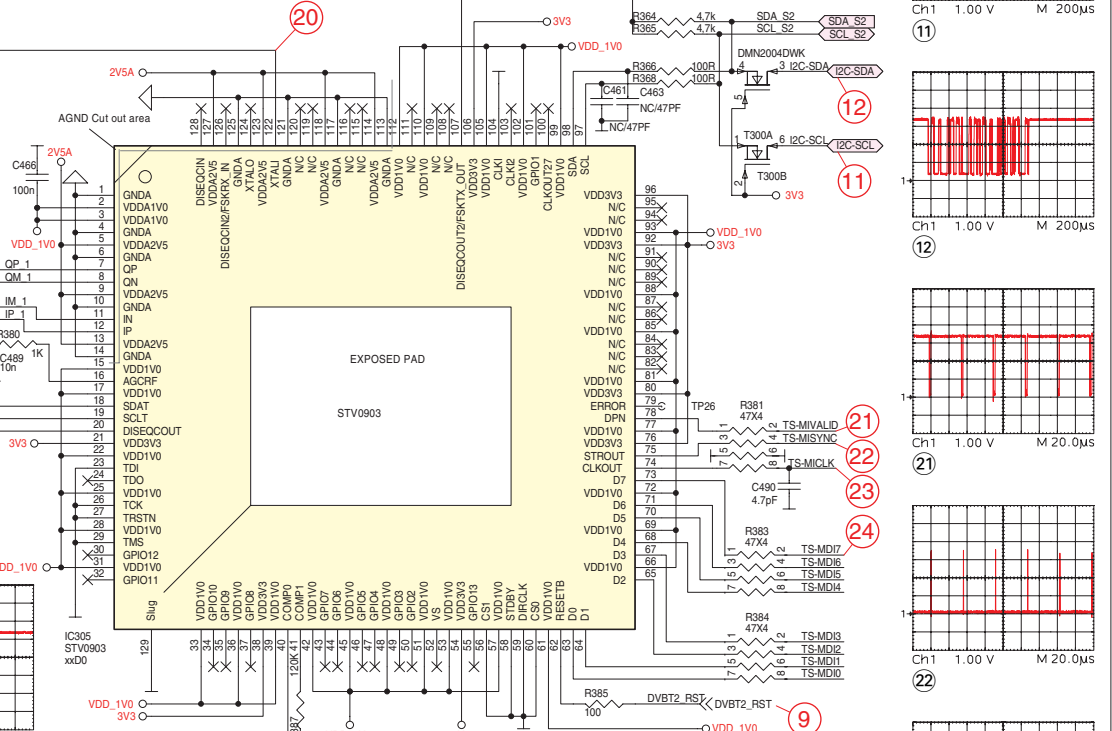
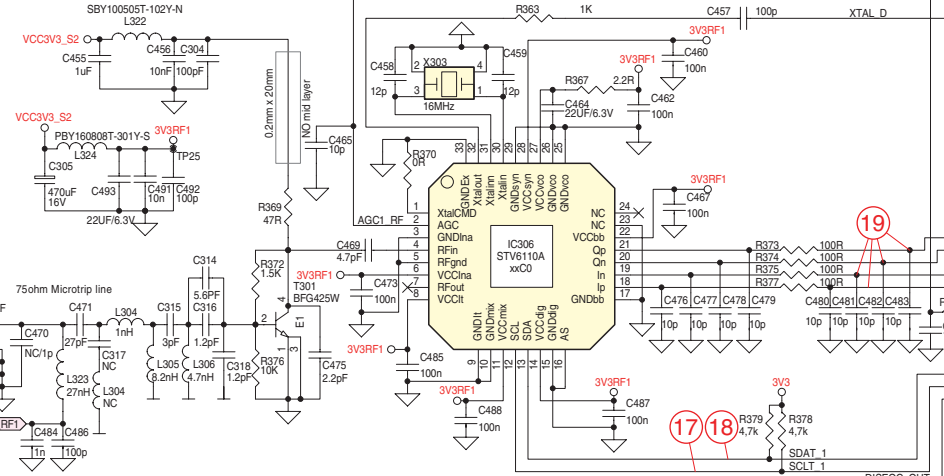
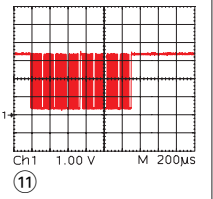
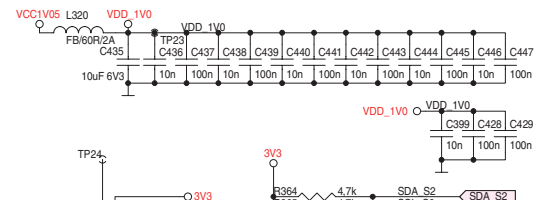
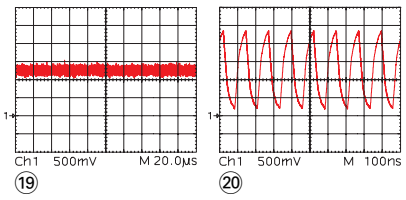
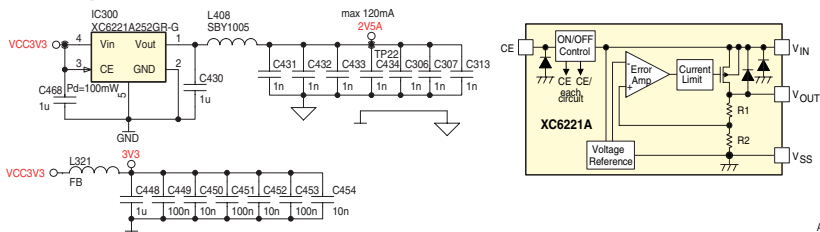


### Chassisplatte / Chassis Board – PCM/CIA-Interface

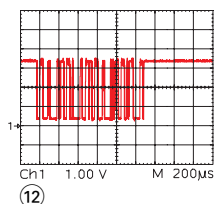
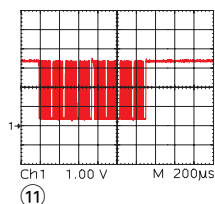
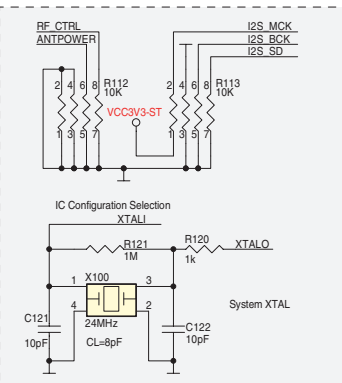
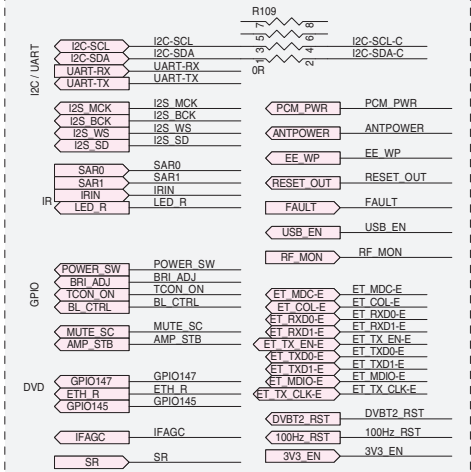
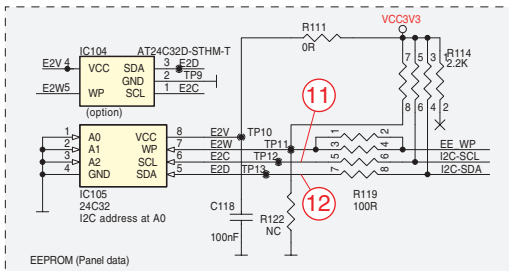
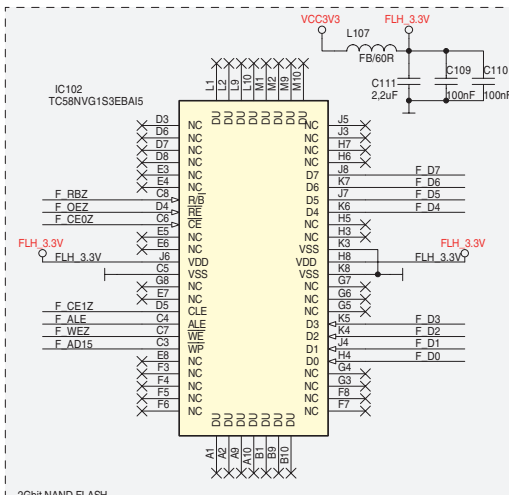
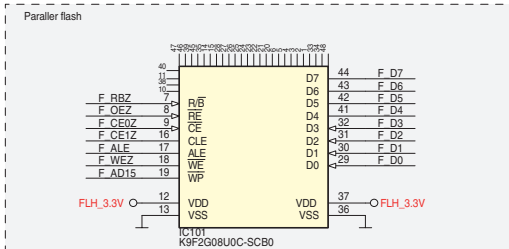
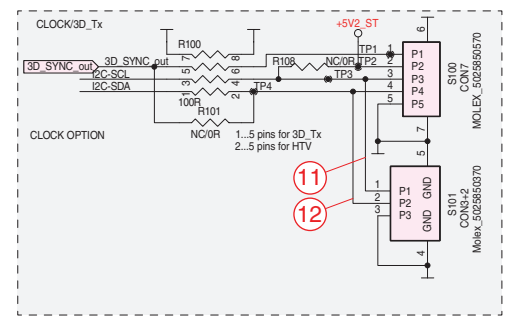
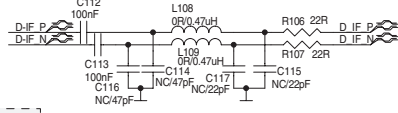
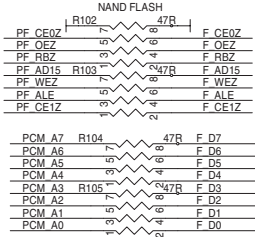
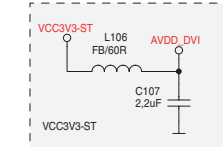
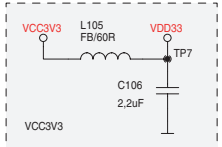
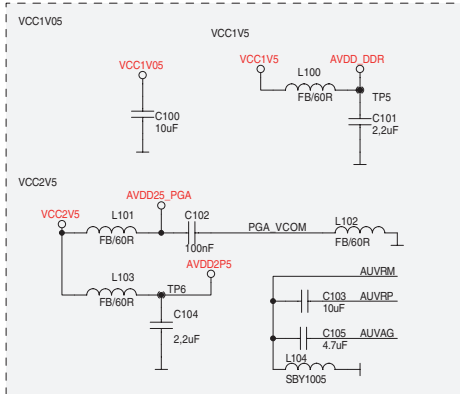
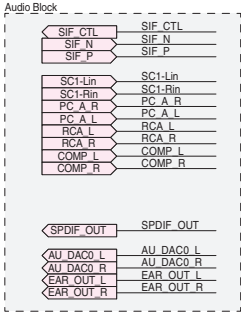
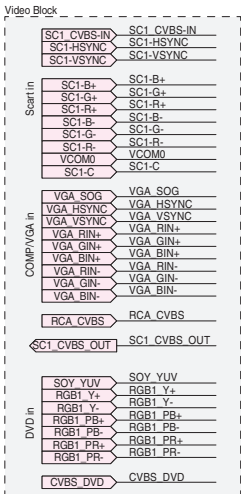
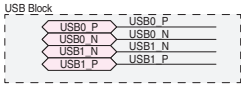


# Chassisplatte / Chassis Board – DVB-S

42

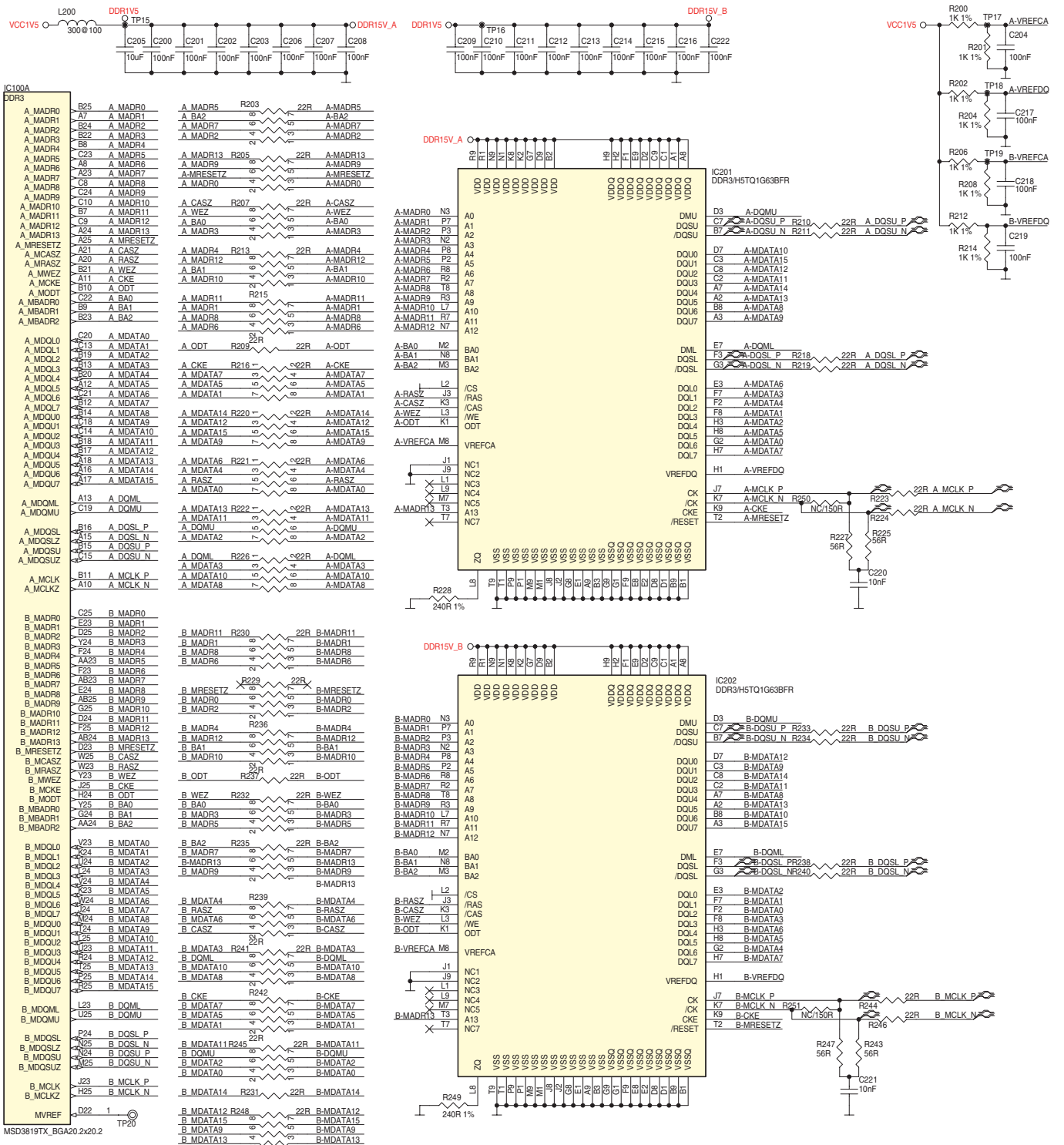


# Chassisplatte / Chassis Board – Scaler



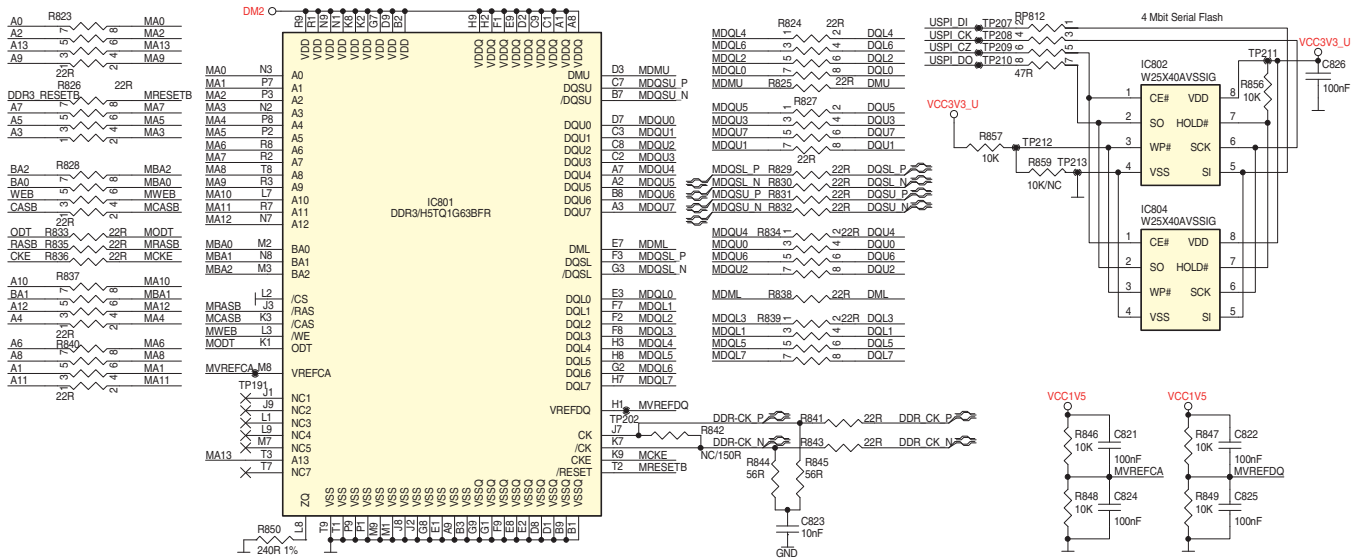


# Chassisplatte / Chassis Board – Scaler-RAM

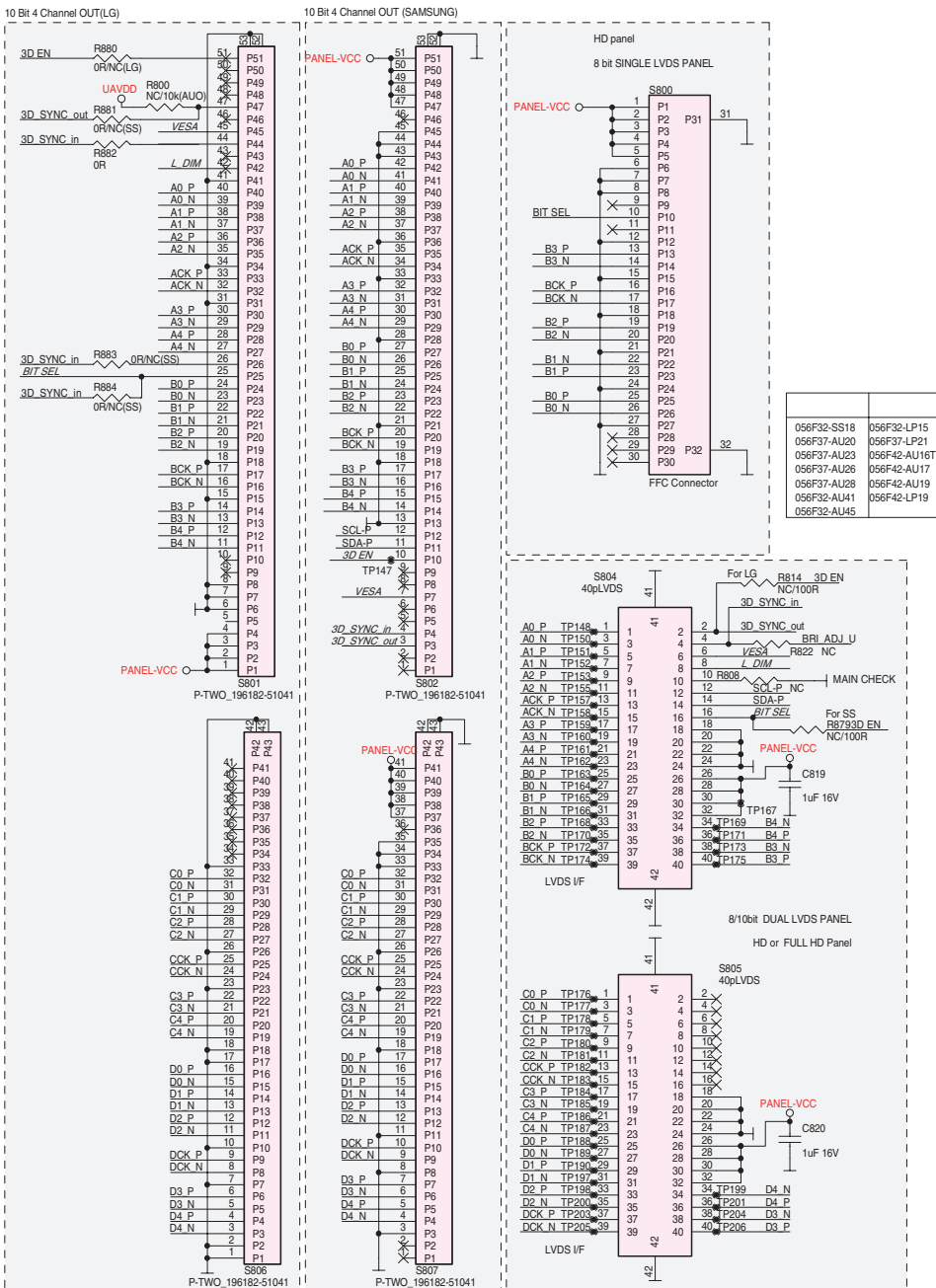




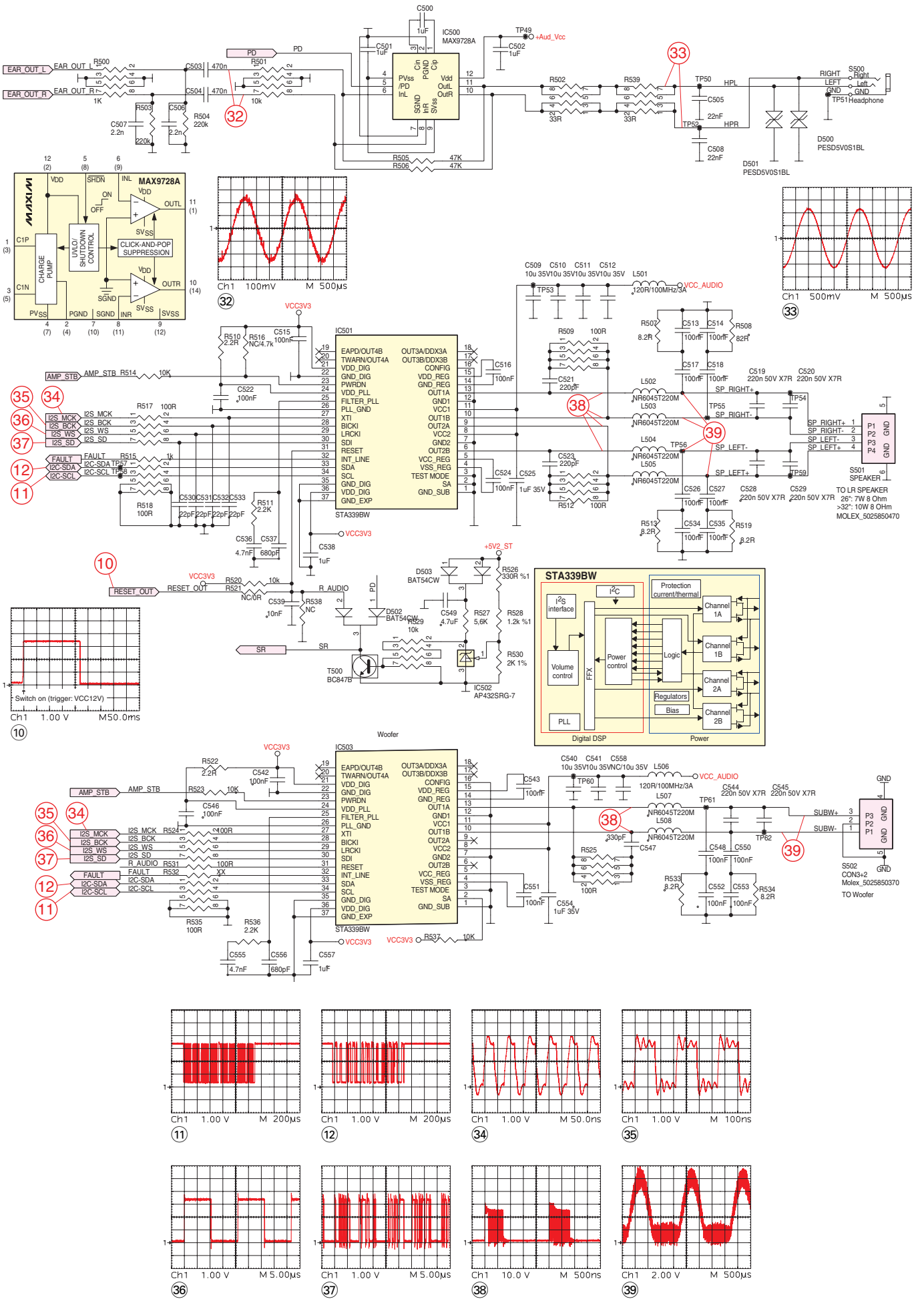
### Chassisplatte / Chassis Board – FRC-RAM



### Chassisplatte / Chassis Board – LVDS

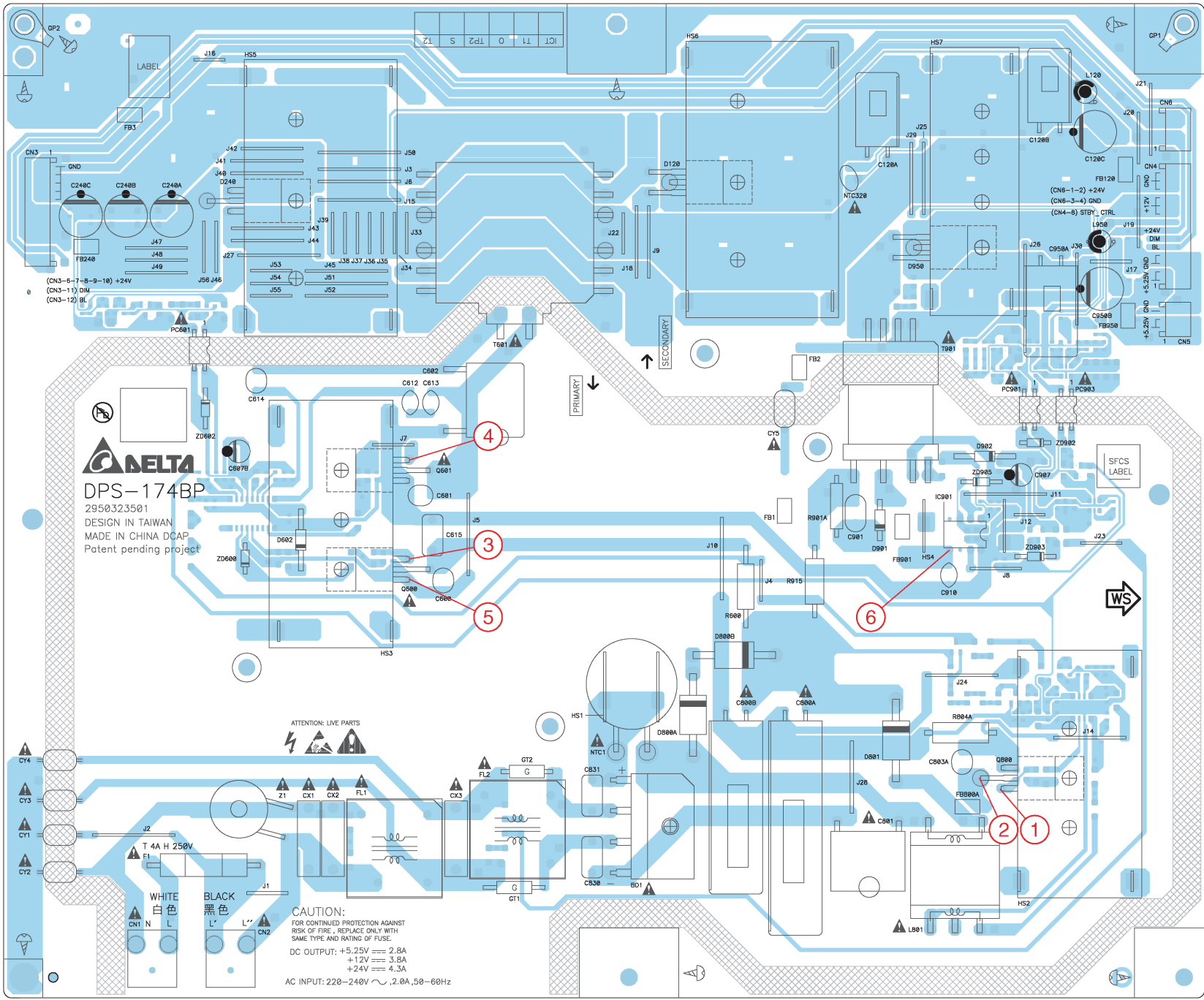


# Chassisplatte – Verstärker / Chassis Board – Amplifier



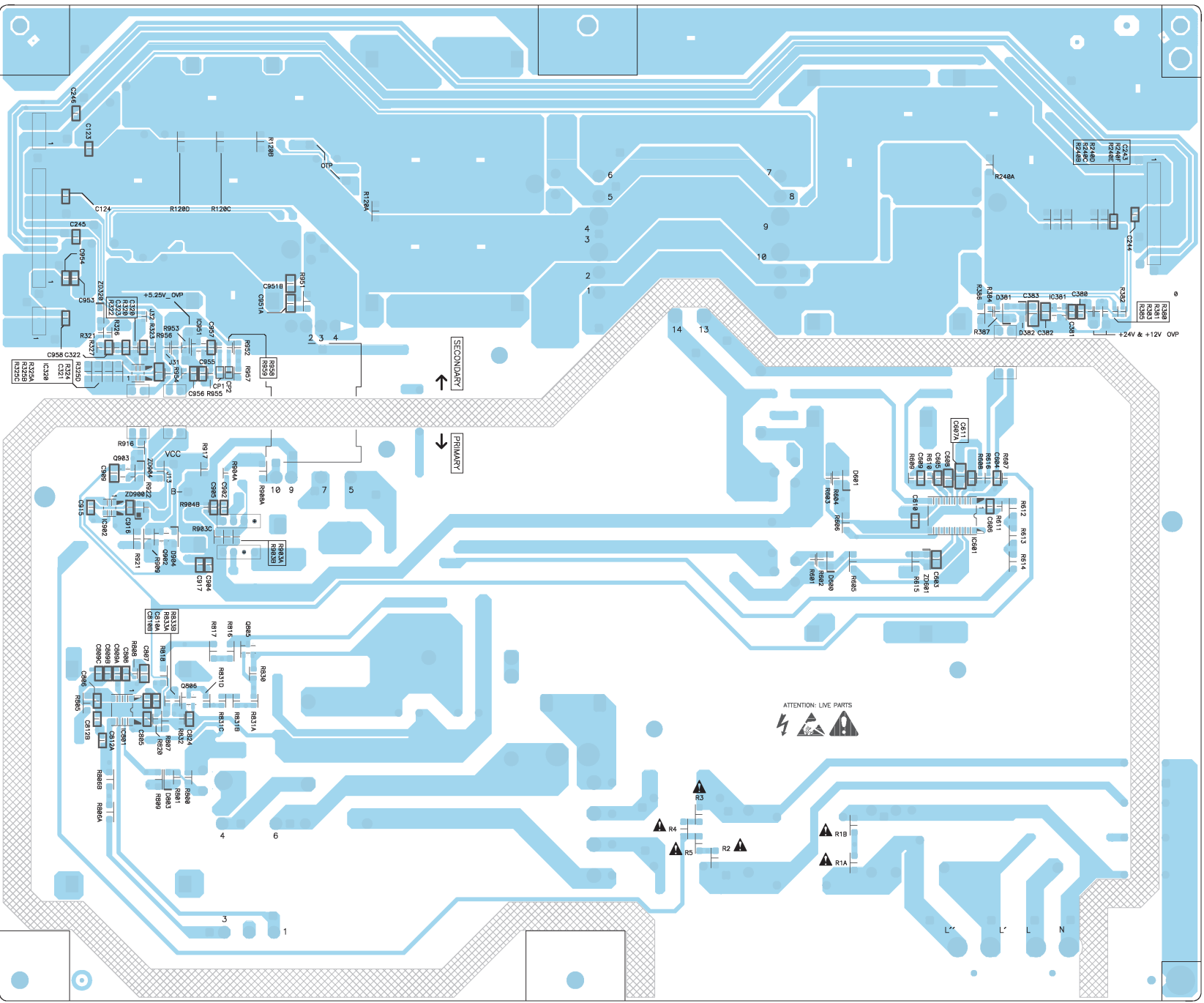
Netzteil / Power Supply DPS-174BP

Ansicht von der Bestückungsseite / View of Component Side

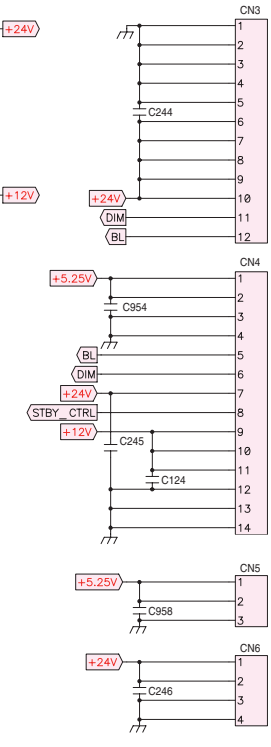
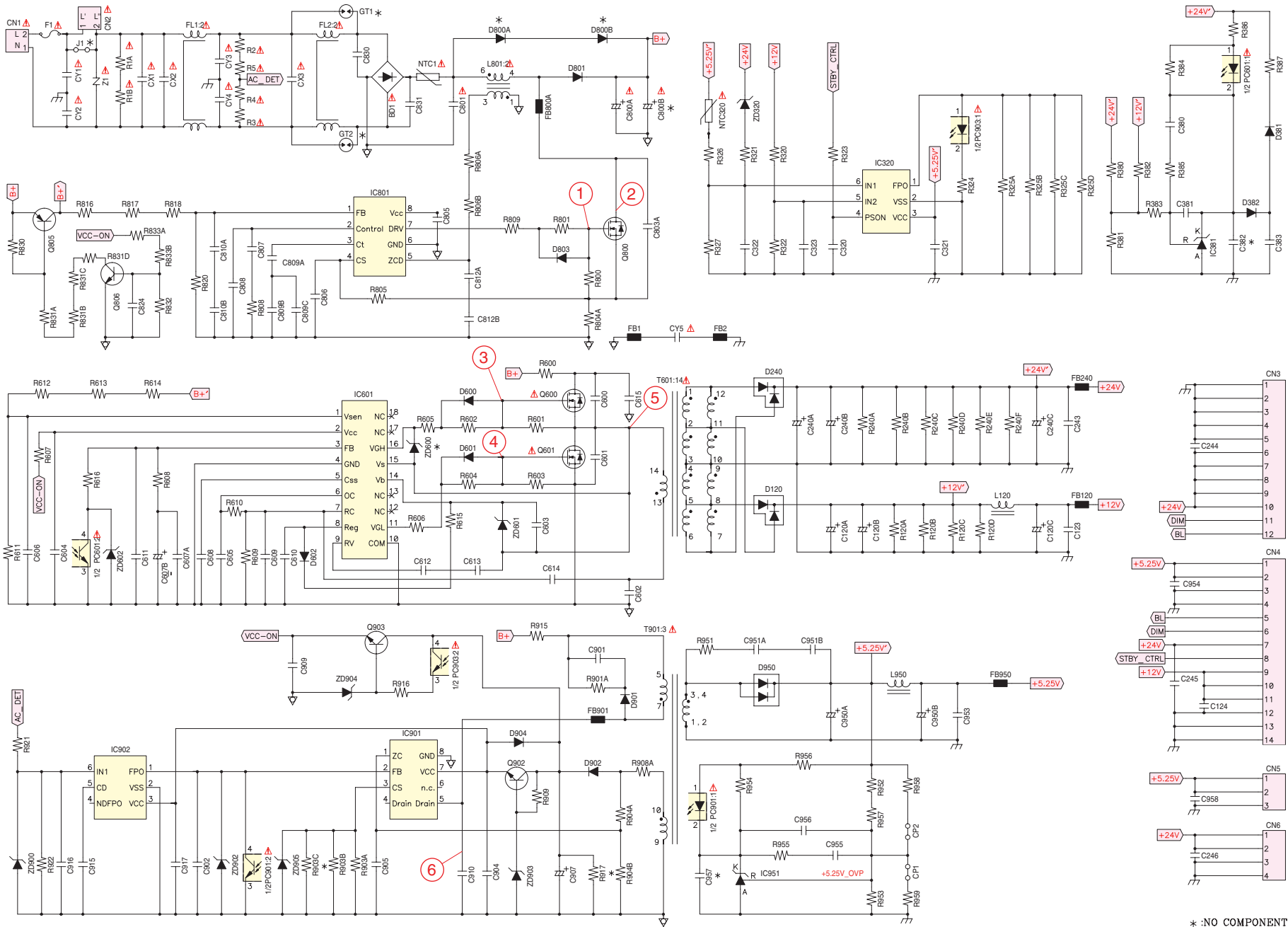
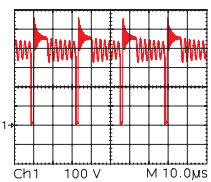
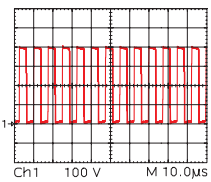
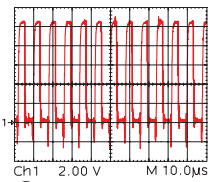
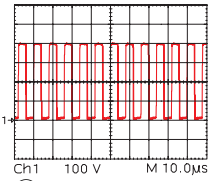
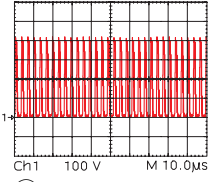
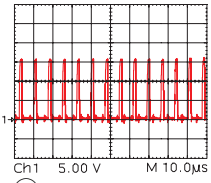


Netzteil / Power Supply DPS-174BP

Ansicht von der Bestückungsseite / View of Component Side



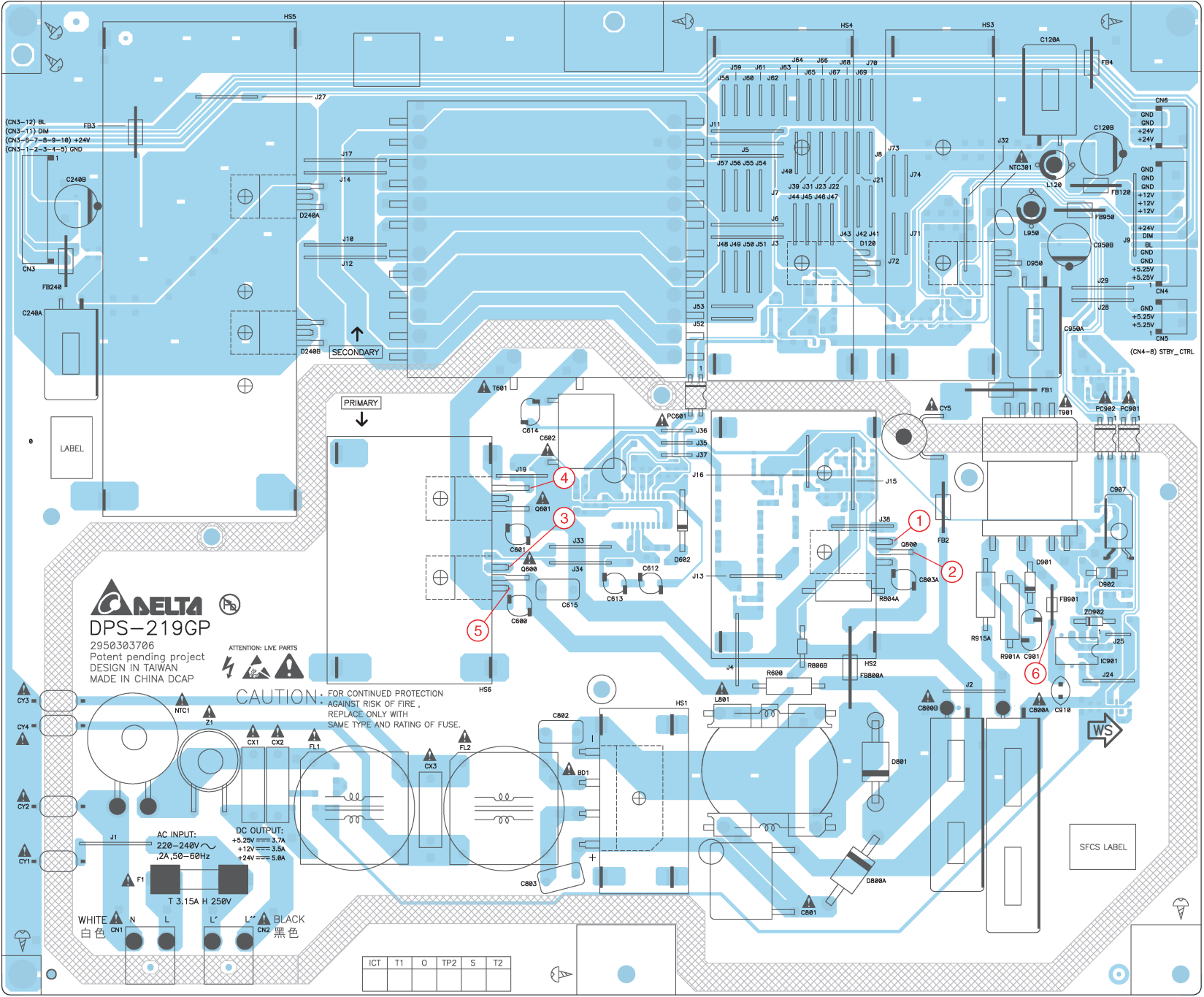
Netzteil / Power Supply DPS-174BP



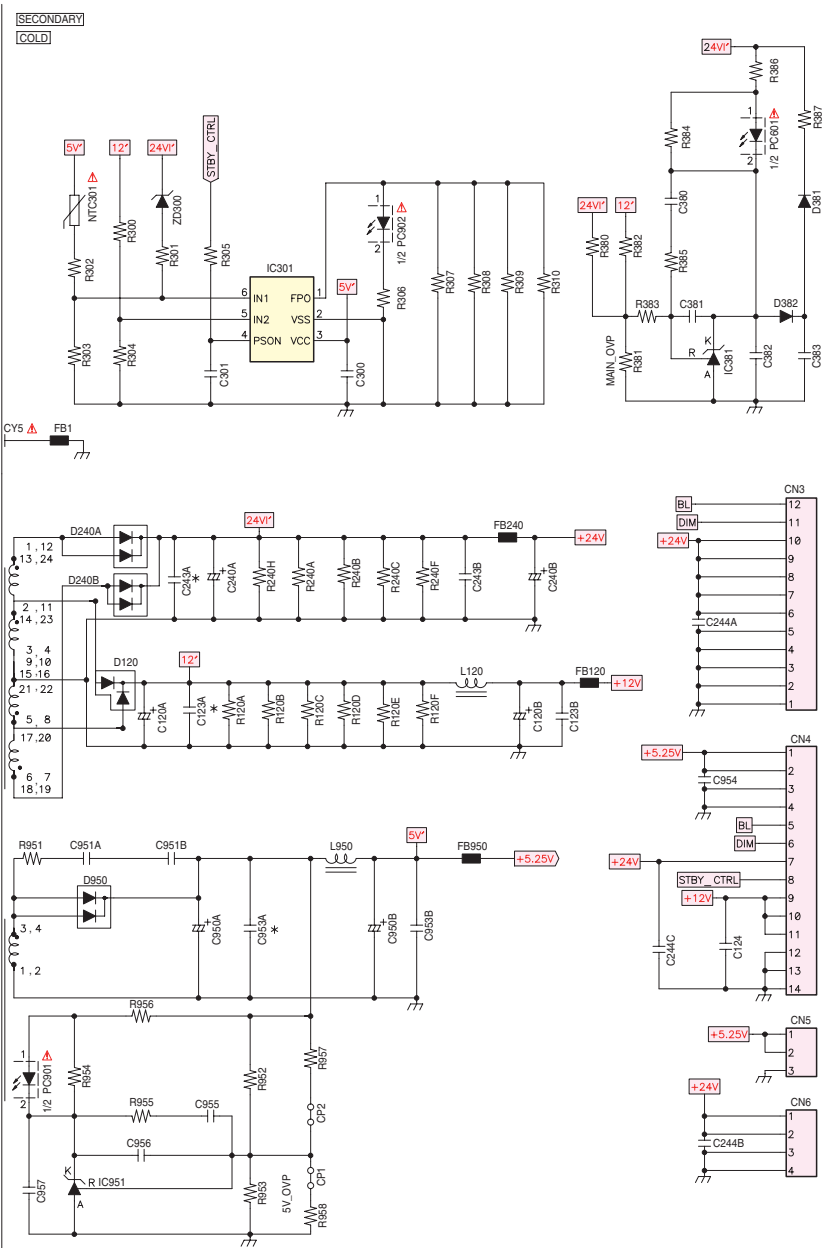
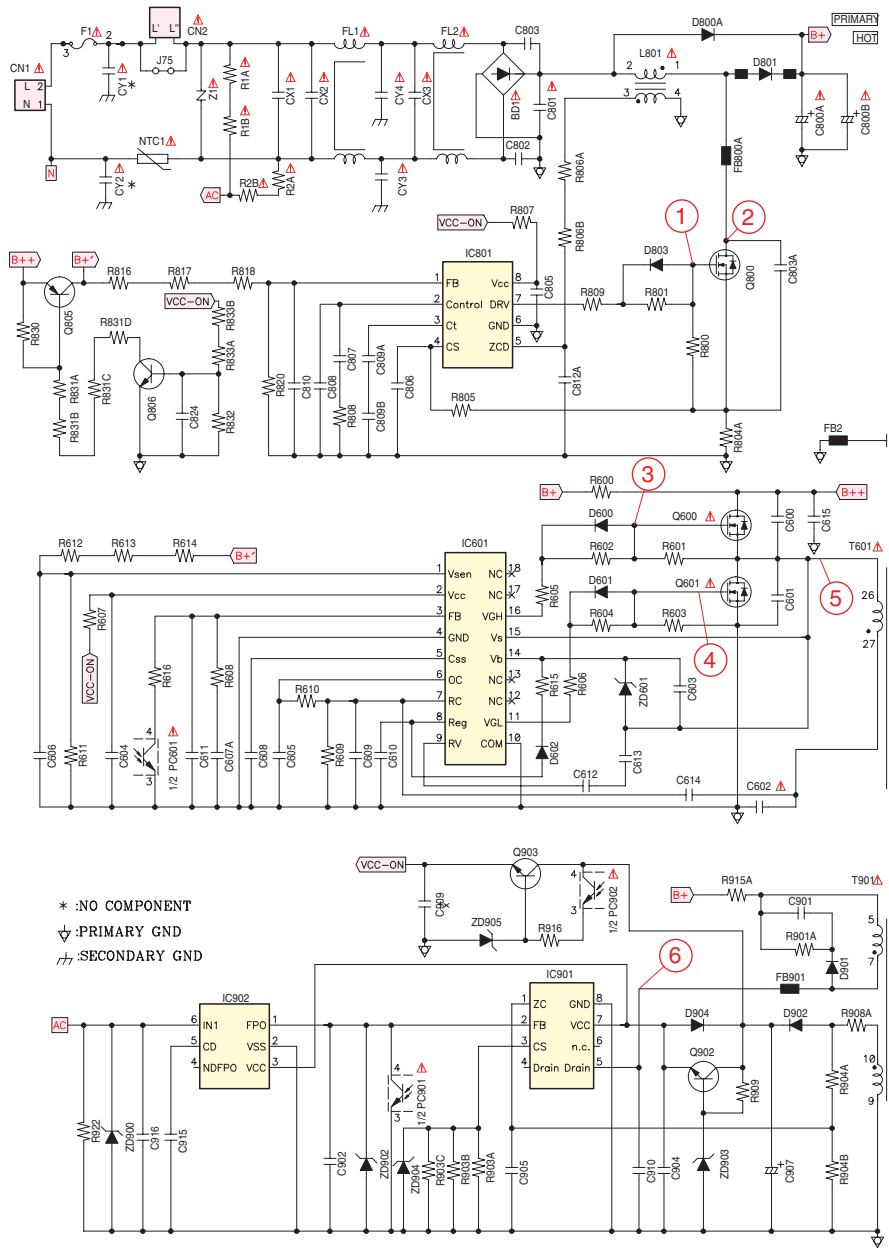
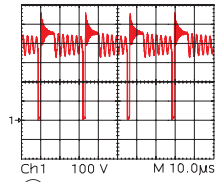
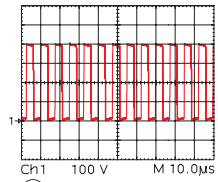
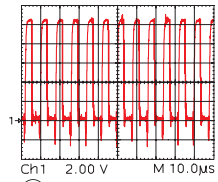
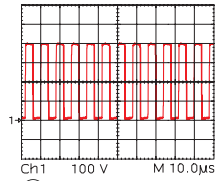
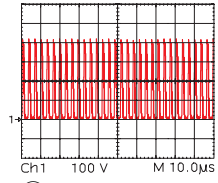
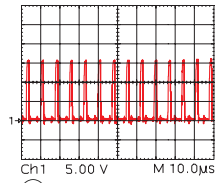
\* :NO COMPONENT

Netzteil / Power Supply DPS-219GP

Ansicht von der Bestückungsseite / View of Component Side

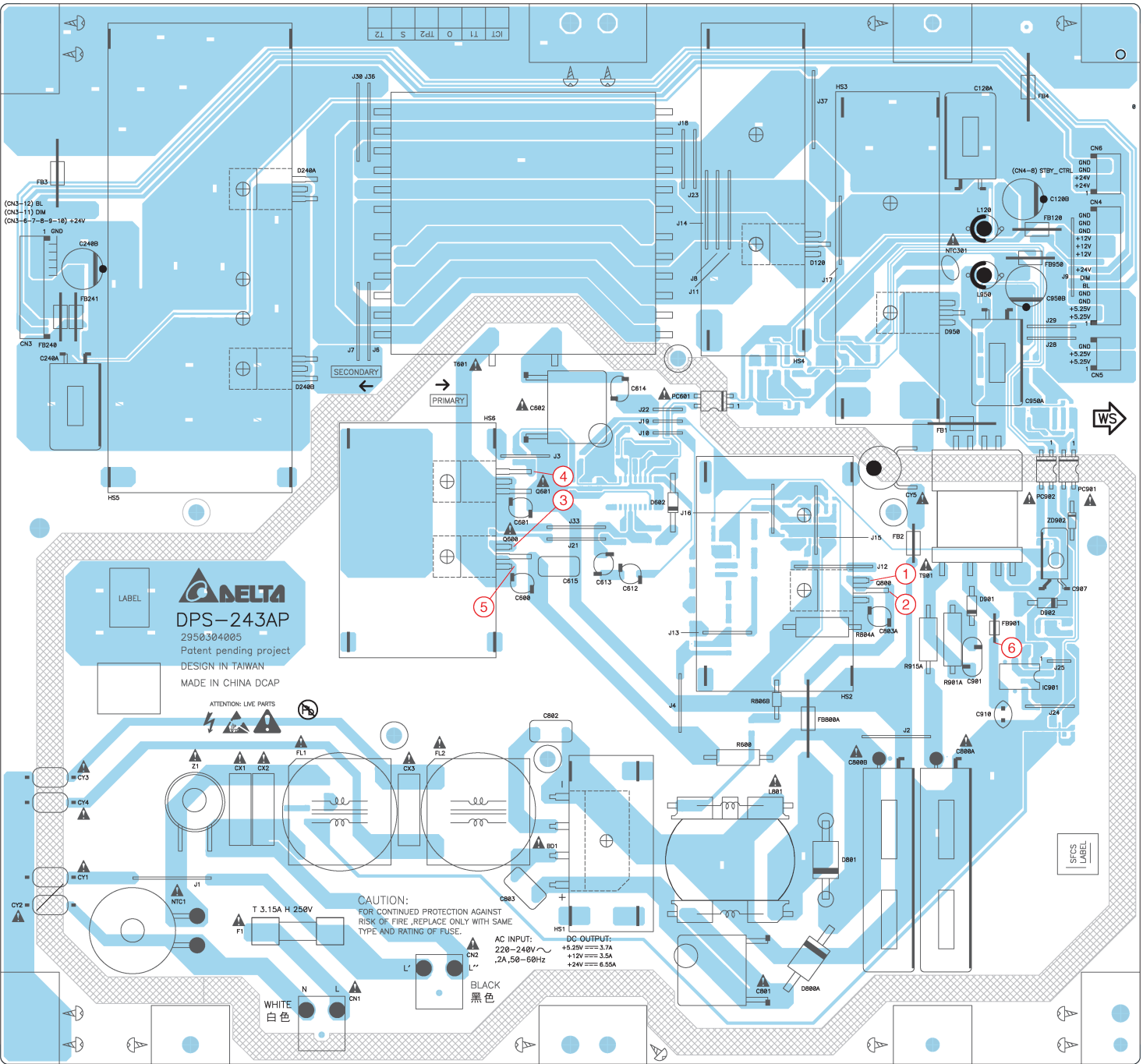






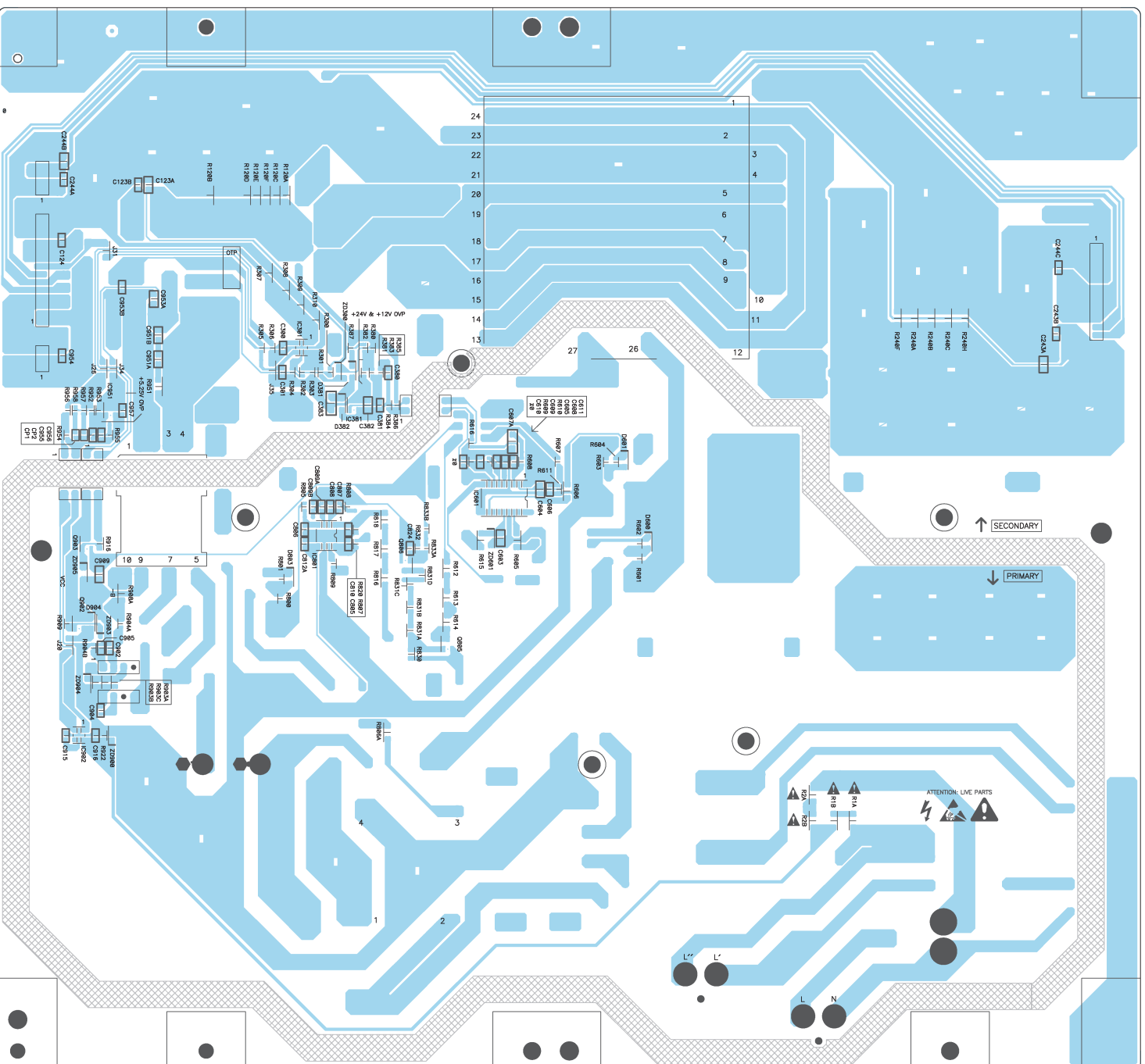
# Netzteil / Power Supply DPS-243AP

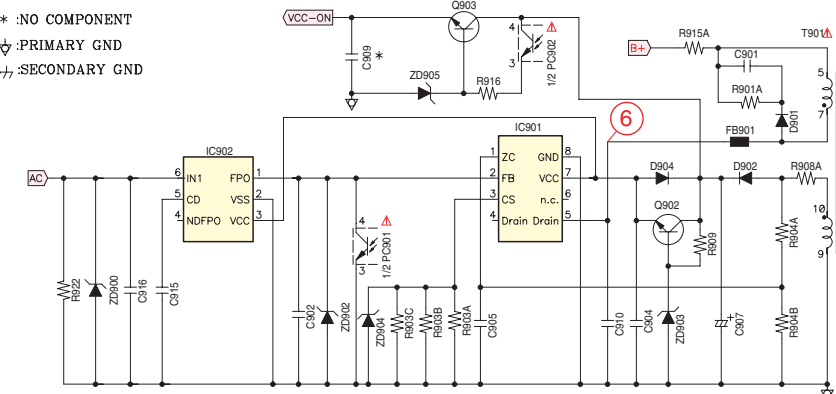
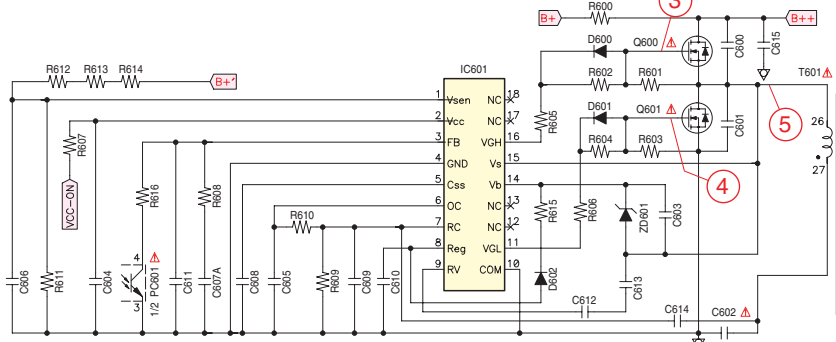
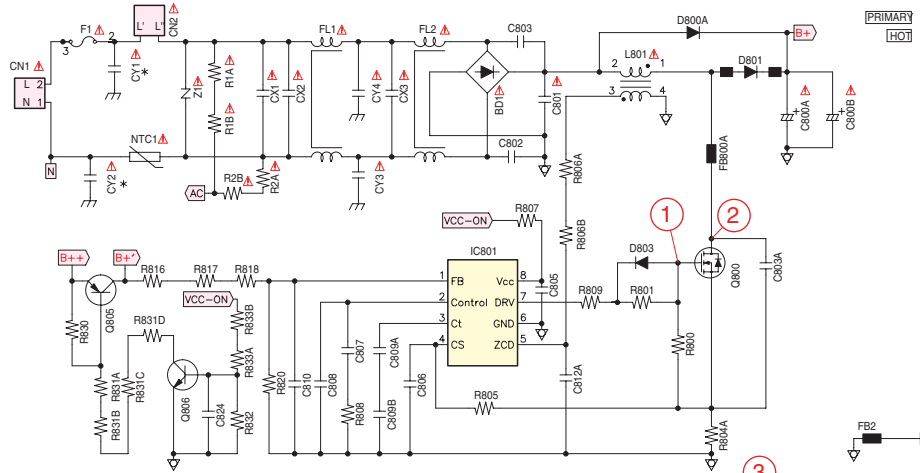
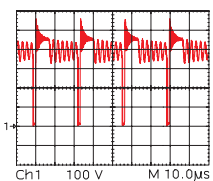
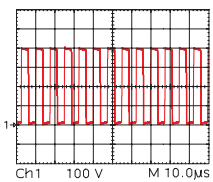
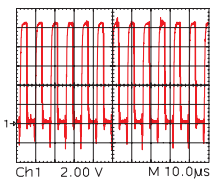
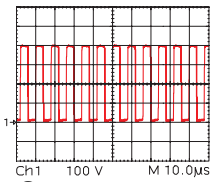
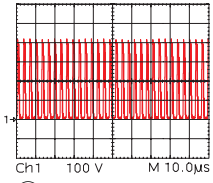
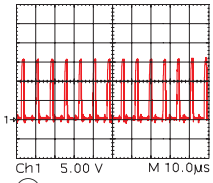
Ansicht von der Bestückungsseite / View of Component Side



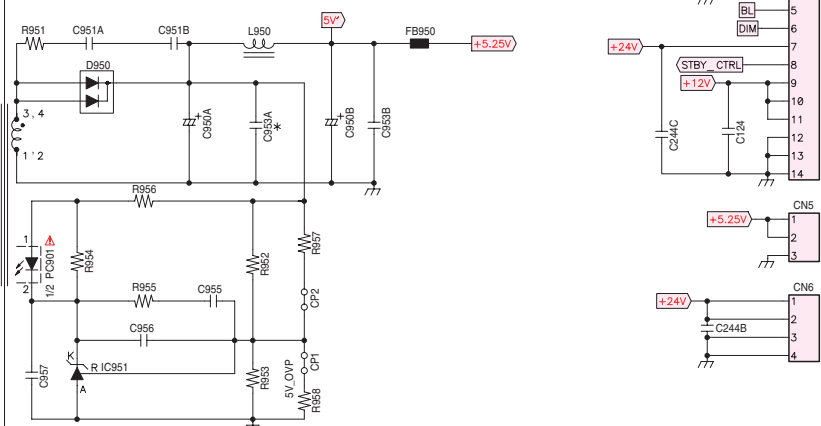
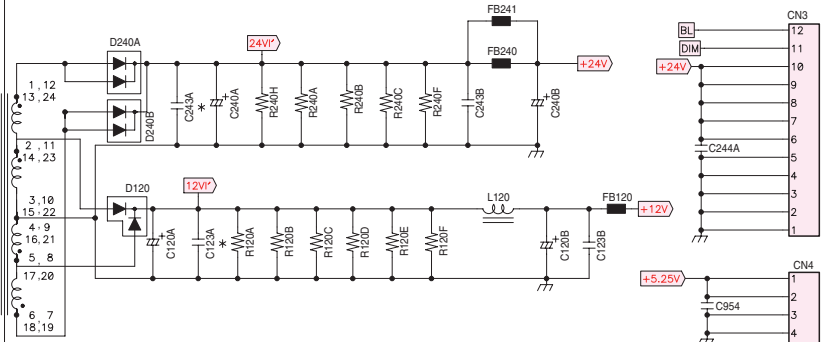
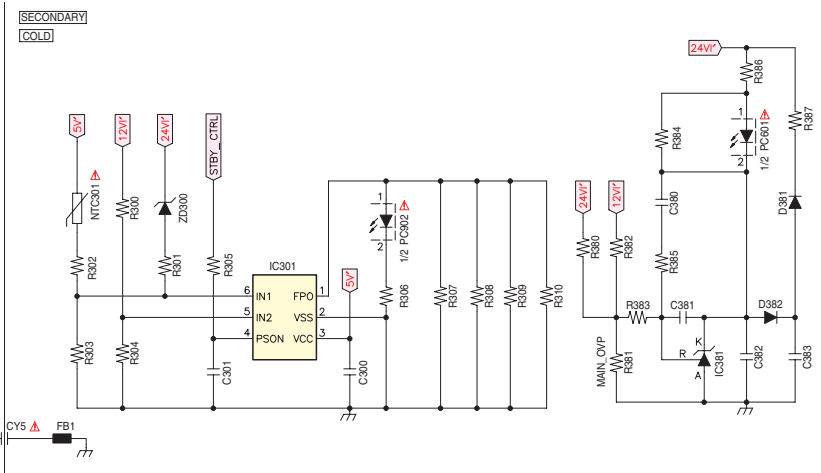
Netzteil / Power Supply DPS-243AP

Ansicht von der Lötseite / View of Solder Side



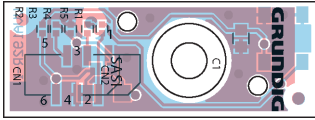


\* :NO COMPONENT  
 ⚡ :PRIMARY GND  
 ⚡ :SECONDARY GND

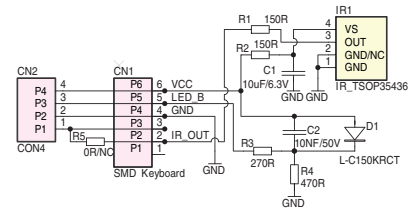
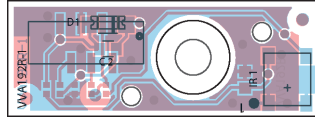


### IR/LED-Platte / Board VVA192R-1

Ansicht von der Bestückungsseite  
View of Component Side



Ansicht von der Lötseite  
View of Solder Side



Ersatzteilliste  
Spare Parts List

NUR FÜR INTERNEN GEBRAUCH  
FOR INTERNAL USE ONLY

TV

4 / 2013

46 VLE 630 BH

POS. NR. POS. NO.	ABB. FIG.	MATERIAL-NR. PART NUMBER	ANZ. QTY.	BEZEICHNUNG (D)	BESTELL-NR. / ORDER NO.: LQF000 (LQF)	DESCRIPTION (GB)			
		LQF000		46 VLE 630 BH PRODUKTCODE LQF KEIN E-TEIL	46 VLE 630 BH PRODUCT CODE LQF NO SPARE PART				
				<b>Hinweis:</b> Sollte in dieser Ersatzteilliste Ihr "Product Code" oder Ihre Display-Variante nicht aufgeführt sein, finden Sie eine aktualisierte Version auf dem GRUNDIG Service-Portal <a href="http://service.grundig.de">"http://service.grundig.de"</a> .	<b>Note:</b> If your "Product Code" or display variant is not mentioned in the spare parts list, please look for a current version at the GRUNDIG service portal <a href="http://service.grundig.de">"http://service.grundig.de"</a> .				
001.000		759551619700		GEH.- VORDERTEIL SCHWARZ	FRONT CABINET BLACK	001.000	759551619700	GEH.- VORDERTEIL SCHWARZ	FRONT CABINET BLACK
001.100		759551695700		IR-LINSE	IR-LENS	001.100	759551695700	IR-LINSE	IR-LENS
002.000		759551627800		RUECKWAND SCHWARZ	BACK COVER BLACK	002.000	759551627800	RUECKWAND SCHWARZ	BACK COVER BLACK
003.000		759551673300		NETZKABEL ABDECKUNG SCHWARZ	POWER CORD COVER BLACK	003.000	759551673300	NETZKABEL ABDECKUNG SCHWARZ	POWER CORD COVER BLACK
004.000		759551712400		VESA RUECKWANDSCHRAUBE SCHWARZ	VESA BACKCOVER SCREW BLACK	004.000	759551712400	VESA RUECKWANDSCHRAUBE SCHWARZ	VESA BACKCOVER SCREW BLACK
005.000		759551619900		STANDFUSS SCHWARZ GLAS	STAND FOOT BLACK GLASS	005.000	759551619900	STANDFUSS SCHWARZ GLAS	STAND FOOT BLACK GLASS
005.100		759551694000		STANDFUSS SCHRAUBE SILBER M8X40	STANDFOOTScrew SILVER M8X40	005.100	759551694000	STANDFUSS SCHRAUBE SILBER M8X40	STANDFOOTScrew SILVER M8X40
007.000		759551626000		KNOBF PROG/ON-OFF SCHWARZ	KNOP PROG/ON-OFF SCHWARZ	007.000	759551626000	KNOBF PROG/ON-OFF SCHWARZ	KNOP PROG/ON-OFF SCHWARZ
015.000		759551712800		LAUTSPRECHER 8R 10/15W 30x193	SPEAKER 8R 10/15W 30x193	015.000	759551712800	LAUTSPRECHER 8R 10/15W 30x193	SPEAKER 8R 10/15W 30x193
019.000		759551600400		KABEL DISPLAY-LVDS 500 MM	CABLE DISPLAY-LVDS 500 MM	019.000	759551600400	KABEL DISPLAY-LVDS 500 MM	CABLE DISPLAY-LVDS 500 MM
020.000	△	056D46-SS15A		LCD-DISPLAY LTA460HM06-Q03 50HZ KEIN ERSATZTEIL	LCD-DISPLAY LTA460HM06-Q03 50HZ NO SPARE PART	020.000	△ 056D46-SS15A	LCD-DISPLAY LTA460HM06-Q04 50HZ KEIN ERSATZTEIL	LCD-DISPLAY LTA460HM06-Q04 50HZ NO SPARE PART
021.000	△	759551611500		INVERTERKABEL 230 MM	INVERTER CABLE 230 MM	020.100	△ 759551656000	T-CON MODUL (XYS)	T-CON BOARD (XYS)
022.000	△	759551672300		NETZKABEL 160CM	POWER CABLE 160CM	020.200	△ 759551623800	INVERTERMODUL (XZB)	INVERTERBOARD (XZB)
023.000	△	275990312800		NETZTEILMOD. 175W 2011 PSU	POWER BOARD 175W 2011 PSU	021.000	759551611500	INVERTERKABEL 230 MM	INVERTER CABLE 230 MM
025.000	△	275991188600	X	LP-CHASSISMODUL TP (LQF)	CHASSIS BOARD TP (LQF)	023.000	△ 275990315800	LP-NETZTEILMOD.181W 2011 SLIM TV PSU	POWER BOARD 181W 2011 SLIM TV PSU
027.000		720117226300		FERNBEDIENUNG TP7	REMOTE CONTROL TP7	025.000	△ 275991193000	CHASSISMODUL TP (LYB)	CHASSIS BOARD TP (LYB)
028.000		720117145300		FERNBEDIENUNG TP EASY SCHWARZ	REMOTE CONTROL TP EASY BLACK	027.000	720117226300	FERNBEDIENUNG TP7	REMOTE CONTROL TP7
029.000		759551649400		BEDIENMODUL (VSC)	KEYBOARD (VSC)	028.000	720117145300	FERNBEDIENUNG TP EASY SCHWARZ	REMOTE CONTROL TP EASY BLACK
030.000		759551057800		TASTSCHALTER	KEY SWITCH	029.000	759551649400	BEDIENMODUL (VSC)	KEYBOARD (VSC)
031.000		759551649500		IR/LED MODUL (VNR)	IR/LED BOARD (VNR)	030.000	759551057800	TASTSCHALTER	KEY SWITCH
032.000		759551544900		IR-EMPFAENGER TSOP35436TT	IR-RECEIVER TSOP35436TT	031.000	759551649500	IR/LED MODUL (VNR)	IR/LED BOARD (VNR)
033.000		759551549100		LED-SMD 1206 BLAU 250MCD 3.3V	LED-SMD 1206 BLUE 250MCD 3.3V	032.000	759551544900	IR-EMPFAENGER TSOP35436TT	IR-RECEIVER TSOP35436TT
090.000		759551693800		KARTON 46	CARTON 46	033.000	759551726800	LED-SMD 1206 BLAU 112MCD 3.3V	LED-SMD 1206 BLUE 112MCD 3.3V
091.000		759551693600		POLSTER 4 TEILIG	CUSHION 4 PARTS	090.000	759551693800	KARTON 46	CARTON 46
				DIE BEDIENUNGSANLEITUNG KOENNEN SIE IM INTERNET UNTER FOLGENDER ADRESSE ABRUFEN: WWW.GRUNDIG.DE MENU: DOWNLOADS	THE INSTRUCTION MANUAL CAN BE DOWNLOADED FROM THE INTERNET UNDER THE FOLLOWING ADDRESS: WWW.GRUNDIG.DE MENU: DOWNLOADS	091.000	759551693600	POLSTER 4 TEILIG	CUSHION 4 PARTS
		720100558000		SERVICE MANUAL D/GB	SERVICE MANUAL D/GB		720100558000	DIE BEDIENUNGSANLEITUNG KOENNEN SIE IM INTERNET UNTER FOLGENDER ADRESSE ABRUFEN: WWW.GRUNDIG.DE MENU: DOWNLOADS	THE INSTRUCTION MANUAL CAN BE DOWNLOADED FROM THE INTERNET UNDER THE FOLLOWING ADDRESS: WWW.GRUNDIG.DE MENU: DOWNLOADS
		720100558300		SERVICE MANUAL D/GB 3. ERGAENZUNG	SERVICE MANUAL D/GB 3RD SUPPLEMENT		720100558300		
		720108000001		SICHERHEITSMANUAL D/GB/E/F/I	SAFETY SERVICE MANUAL D/GB/E/F/I		720108000001		
			X = SIEHE GESONDERTE E-LISTE		X = SEE SEPARATE PARTS LIST			X = SIEHE GESONDERTE E-LISTE	X = SEE SEPARATE PARTS LIST

59

Es gelten die Vorschriften und Sicherheitshinweise gemäß dem Service Manual "Sicherheit", Mat.-Nummer 720108000001, sowie zusätzlich die eventuell abweichenden, landesspezifischen Vorschriften!



The regulations and safety instructions shall be valid as provided by the "Safety" Service Manual, part number 720108000001, as well as the respective national deviations.

ÄNDERUNGEN VORBEHALTEN / SUBJECT TO ALTERATION

Ersatzteilliste  
Spare Parts List

NUR FÜR INTERNEN GEBRAUCH  
FOR INTERNAL USE ONLY

TV

6 / 2013

46 VLE 630 BH

POS. NR. POS. NO.	ABB. FIG.	MATERIAL-NR. PART NUMBER	ANZ. QTY.	BEZEICHNUNG (D)	BESTELL-NR. / ORDER NO.: LYC000 (LYC)	DESCRIPTION (GB)			
		LYC000		46 VLE 630 BH PRODUKTCODE LYC KEIN E-TEIL	46 VLE 630 BH PRODUCT CODE LYC NO SPARE PART				
				<b>Hinweis:</b> Sollte in dieser Ersatzteilliste Ihr "Product Code" oder Ihre Display-Variante nicht aufgeführt sein, finden Sie eine aktualisierte Version auf dem GRUNDIG Service-Portal <a href="http://service.grundig.de">"http://service.grundig.de"</a> .	<b>Note:</b> If your "Product Code" or display variant is not mentioned in the spare parts list, please look for a current version at the GRUNDIG service portal <a href="http://service.grundig.de">"http://service.grundig.de"</a> .				
001.000		759551619700		GEH.- VORDERTEIL SCHWARZ	FRONT CABINET BLACK	001.000	759551619700	GEH.- VORDERTEIL SCHWARZ	FRONT CABINET BLACK
001.100		759551695700		IR-LINSE	IR-LENS	001.100	759551695700	IR-LINSE	IR-LENS
002.000		759551627800		RUECKWAND SCHWARZ	BACK COVER BLACK	002.000	759551627800	RUECKWAND SCHWARZ	BACK COVER BLACK
003.000		759551673300		NETZKABEL ABDECKUNG SCHWARZ	POWER CORD COVER BLACK	003.000	759551673300	NETZKABEL ABDECKUNG SCHWARZ	POWER CORD COVER BLACK
004.000		759551712400		VESA RUECKWANDSCHRAUBE SCHWARZ	VESA BACKCOVER SCREW BLACK	004.000	759551712400	VESA RUECKWANDSCHRAUBE SCHWARZ	VESA BACKCOVER SCREW BLACK
005.000		759551619900		STANDFUSS SCHWARZ GLAS	STAND FOOT BLACK GLASS	005.000	759551619900	STANDFUSS SCHWARZ GLAS	STAND FOOT BLACK GLASS
005.100		759551694000		STANDFUSS SCHRAUBE SILBER M8X40	STANDFOOTScrew SILVER M8X40	005.100	759551694000	STANDFUSS SCHRAUBE SILBER M8X40	STANDFOOTScrew SILVER M8X40
007.000		759551626000		KNOBF PROG/ON-OFF SCHWARZ	KNOP PROG/ON-OFF SCHWARZ	007.000	759551626000	KNOBF PROG/ON-OFF SCHWARZ	KNOP PROG/ON-OFF SCHWARZ
015.000		759551712800		LAUTSPRECHER 8R 10/15W 30x193	SPEAKER 8R 10/15W 30x193	015.000	759551712800	LAUTSPRECHER 8R 10/15W 30x193	SPEAKER 8R 10/15W 30x193
019.000		759551600400		KABEL DISPLAY-LVDS 500 MM	CABLE DISPLAY-LVDS 500 MM	019.000	759551600400	KABEL DISPLAY-LVDS 500 MM	CABLE DISPLAY-LVDS 500 MM
020.000	△	056D46-SS15A		LCD-DISPLAY LTA460HM06-Q04 50HZ KEIN ERSATZTEIL	LCD-DISPLAY LTA460HM06-Q04 50HZ NO SPARE PART	020.000	△ 056D46-SS15A	LCD-DISPLAY LTA460HM06-Q04 50HZ KEIN ERSATZTEIL	LCD-DISPLAY LTA460HM06-Q04 50HZ NO SPARE PART
020.100	△	759551656000		T-CON MODUL (XYS)	T-CON BOARD (XYS)	020.100	△ 759551656000	T-CON MODUL (XYS)	T-CON BOARD (XYS)
020.200	△	759551623800		INVERTERMODUL (XZB)	INVERTERBOARD (XZB)	020.200	△ 759551623800	INVERTERMODUL (XZB)	INVERTERBOARD (XZB)
021.000		759551611500		INVERTERKABEL 230 MM	INVERTER CABLE 230 MM	021.000	759551611500	INVERTERKABEL 230 MM	INVERTER CABLE 230 MM
023.000	△	275990315800	X	LP-NETZTEILMOD.181W 2011 SLIM TV PSU	POWER BOARD 181W 2011 SLIM TV PSU	023.000	△ 275990315800	LP-NETZTEILMOD.181W 2011 SLIM TV PSU	POWER BOARD 181W 2011 SLIM TV PSU
025.000	△	275991193000		CHASSISMODUL TP (LYB)	CHASSIS BOARD TP (LYB)	025.000	△ 275991193000	CHASSISMODUL TP (LYB)	CHASSIS BOARD TP (LYB)
027.000		720117226300		FERNBEDIENUNG TP7	REMOTE CONTROL TP7	027.000	720117226300	FERNBEDIENUNG TP7	REMOTE CONTROL TP7
028.000		720117145300		FERNBEDIENUNG TP EASY SCHWARZ	REMOTE CONTROL TP EASY BLACK	028.000	720117145300	FERNBEDIENUNG TP EASY SCHWARZ	REMOTE CONTROL TP EASY BLACK
029.000		759551649400		BEDIENMODUL (VSC)	KEYBOARD (VSC)	029.000	759551649400	BEDIENMODUL (VSC)	KEYBOARD (VSC)
030.000		759551057800		TASTSCHALTER	KEY SWITCH	030.000	759551057800	TASTSCHALTER	KEY SWITCH
031.000		759551649500		IR/LED MODUL (VNR)	IR/LED BOARD (VNR)	031.000	759551649500	IR/LED MODUL (VNR)	IR/LED BOARD (VNR)
032.000		759551544900		IR-EMPFAENGER TSOP35436TT	IR-RECEIVER TSOP35436TT	032.000	759551544900	IR-EMPFAENGER TSOP35436TT	IR-RECEIVER TSOP35436TT
033.000		759551726800		LED-SMD 1206 BLAU 112MCD 3.3V	LED-SMD 1206 BLUE 112MCD 3.3V	033.000	759551726800	LED-SMD 1206 BLAU 112MCD 3.3V	LED-SMD 1206 BLUE 112MCD 3.3V
090.000		759551693800		KARTON 46	CARTON 46	090.000	759551693800	KARTON 46	CARTON 46
091.000		759551693600		POLSTER 4 TEILIG	CUSHION 4 PARTS	091.000	759551693600	POLSTER 4 TEILIG	CUSHION 4 PARTS
				DIE BEDIENUNGSANLEITUNG KOENNEN SIE IM INTERNET UNTER FOLGENDER ADRESSE ABRUFEN: WWW.GRUNDIG.DE MENU: DOWNLOADS	THE INSTRUCTION MANUAL CAN BE DOWNLOADED FROM THE INTERNET UNDER THE FOLLOWING ADDRESS: WWW.GRUNDIG.DE MENU: DOWNLOADS			DIE BEDIENUNGSANLEITUNG KOENNEN SIE IM INTERNET UNTER FOLGENDER ADRESSE ABRUFEN: WWW.GRUNDIG.DE MENU: DOWNLOADS	THE INSTRUCTION MANUAL CAN BE DOWNLOADED FROM THE INTERNET UNDER THE FOLLOWING ADDRESS: WWW.GRUNDIG.DE MENU: DOWNLOADS
		720100558000		SERVICE MANUAL D/GB	SERVICE MANUAL D/GB		720100558000		
		720100558300		SERVICE MANUAL D/GB 3. ERGAENZUNG	SERVICE MANUAL D/GB 3RD SUPPLEMENT		720100558300		
		720108000001		SICHERHEITSMANUAL D/GB/E/F/I	SAFETY SERVICE MANUAL D/GB/E/F/I		720108000001		
			X = SIEHE GESONDERTE E-LISTE		X = SEE SEPARATE PARTS LIST			X = SIEHE GESONDERTE E-LISTE	X = SEE SEPARATE PARTS LIST

Es gelten die Vorschriften und Sicherheitshinweise gemäß dem Service Manual "Sicherheit", Mat.-Nummer 720108000001, sowie zusätzlich die eventuell abweichenden, landesspezifischen Vorschriften!



The regulations and safety instructions shall be valid as provided by the "Safety" Service Manual, part number 720108000001, as well as the respective national deviations.

ÄNDERUNGEN VORBEHALTEN / SUBJECT TO ALTERATION

### Ersatzteilliste Spare Parts List

**NUR FÜR INTERNEN GEBRAUCH  
FOR INTERNAL USE ONLY**

### 3 / 2013

### 46 VLE 830 BL

				BESTELL-NR. / ORDER NO.: LQG000 (LQG)	
POS. NR. POS. NO.	ABB. FIG.	MATERIAL-NR. PART NUMBER	ANZ. QTY.	BEZEICHNUNG (D)	DESCRIPTION (GB)
				LQG000	46 VLE 830 BL PRODUKTCODE <b>LQG</b> KEIN E-TEIL
				<b>Hinweis:</b>	<b>Note:</b>
				Sollte in dieser Ersatzteilliste Ihr "Product Code" oder Ihre Display-Variante nicht aufgeführt sein, finden Sie eine aktualisierte Version auf dem GRUNDIG Service-Portal " <a href="http://service.grundig.de">http://service.grundig.de</a> ".	If your "Product Code" or display variant is not mentioned in the spare parts list, please look for a current version at the GRUNDIG service portal " <a href="http://service.grundig.de">http://service.grundig.de</a> ".
001.000		759551619700		GEH.- VORDERTEIL SCHWARZ	FRONT CABINET BLACK
001.100		759551695700		IR-LINSE	IR-LENS
002.000		759551634700		RUECKWAND SCHWARZ	BACK COVER BLACK
003.000		759551673300		NETZKABEL ABDECKUNG SCHWARZ	POWER CORD COVER BLACK
004.000		759551712400		VESA RUECKWANDSCHRAUBE SCHWARZ	VESA BACKCOVER SCREW BLACK
005.000		759551619900		STANDFUSS SCHWARZ GLAS	STAND FOOT BLACK GLASS
005.100		759551694000		STANDFUSS SCHRAUBE SILBER M8X40	STANDFOOTS CREW SILVER M8X40
007.000		759551626000		KNOPF PROG/ON-OFF SCHWARZ	KNOB PROG/ON-OFF SCHWARZ
015.000		759551712800		LAUTSPRECHER 8R 10/15W 30x193	SPEAKER 8R 10/15W 30x193
019.000		759551600400		KABEL DISPLAY-LVDS 500 MM	CABLE DISPLAY-LVDS 500 MM
020.000	△	056D46-SS15A		LCD-DISPLAY LTA460HM06-Q03 50HZ KEIN ERSATZTEIL	LCD-DISPLAY LTA460HM06-Q03 50HZ NO SPARE PART
021.000		759551611500		INVERTERKABEL 230 MM	INVERTER CABLE 230 MM
022.000	△	759551672300		NETZKABEL 160CM	POWER CABLE 160CM
023.000	△	275990312800		NETZTEILMOD. 175W 2011 PSU	POWER BOARD 175W 2011 PSU
025.000	△	275991179300	X	CHASSISMODUL TP (BZN)	CHASSIS BOARD TP (BZN)
027.000		720117226300		FERNBEDIENUNG TP7	REMOTE CONTROL TP7
028.000		720117145300		FERNBEDIENUNG TP EASY SCHWARZ	REMOTE CONTROL TP EASY BLACK
029.000		759551649400		BEDIENMODUL (VSC)	KEYBOARD (VSC)
030.000		759551057800		TASTSCHALTER	KEY SWITCH
031.000		759551649500		IR/LED MODUL (VNR)	IR/LED BOARD (VNR)
032.000		759551544900		IR-EMPFAENGER TSOP35436TT	IR-RECEIVER TSOP35436TT
033.000		759551549100		LED-SMD 1206 BLAU 250MCD 3.3V	LED-SMD 1206 BLUE 250MCD 3.3V
090.000		759551693800		KARTON 46	CARTON 46
091.000		759551693600		POLSTER 4 TEILIG	CUSHION 4 PARTS
				DIE BEDIENUNGSANLEITUNG KOENNEN SIE IM INTERNET UNTER FOLGENDER ADRESSE ABRUFEN: WWW.GRUNDIG.DE MENU: DOWNLOADS	THE INSTRUCTION MANUAL CAN BE DOWNLOADED FROM THE INTERNET UNDER THE FOLLOWING ADDRESS: WWW.GRUNDIG.DE MENU: DOWNLOADS
				SERVICE MANUAL D/GB 720100558200 720108000001	SERVICE MANUAL D/GB SERVICE MANUAL D/GB SUPPLEMENT 3 SAFETY SERVICE MANUAL D/GB/E/F/I
				X = SIEHE GESONDERTE E-LISTE	X = SEE SEPARATE PARTS LIST

Es gelten die Vorschriften und Sicherheitshinweise gemäß dem Service Manual "Sicherheit", Mat.-Nummer 720108000001, sowie zusätzlich die eventuell abweichenden, landesspezifischen Vorschriften!



The regulations and safety instructions shall be valid as provided by the "Safety" Service Manual, part number 720108000001, as well as the respective national deviations.

ÄNDERUNGEN VORBEHALTEN / SUBJECT TO ALTERATION

### Ersatzteilliste Spare Parts List

**NUR FÜR INTERNEN GEBRAUCH  
FOR INTERNAL USE ONLY**

### 1 / 2014

### 46 VLE 880 BL

				BESTELL-NR. / ORDER NO.: NEJ000 (NEJ)	
POS. NR. POS. NO.	ABB. FIG.	MATERIAL-NR. PART NUMBER	ANZ. QTY.	BEZEICHNUNG (D)	DESCRIPTION (GB)
				NEJ000	46 VLE 880 BL PRODUKTCODE <b>NEJ</b> KEIN E-TEIL
				<b>Hinweis:</b>	<b>Note:</b>
				Sollte in dieser Ersatzteilliste Ihr "Product Code" oder Ihre Display-Variante nicht aufgeführt sein, finden Sie eine aktualisierte Version auf dem GRUNDIG Service-Portal " <a href="http://service.grundig.de">http://service.grundig.de</a> ".	If your "Product Code" or display variant is not mentioned in the spare parts list, please look for a current version at the GRUNDIG service portal " <a href="http://service.grundig.de">http://service.grundig.de</a> ".
001.000		759551754800		GEH.- VORDERTEIL SCHWARZ	FRONT CABINET BLACK
001.100		759551696200		IR-LINSE	IR-LENS
002.000		759551634700		RUECKWAND SCHWARZ	BACK COVER BLACK
003.000		759551673300		NETZKABEL ABDECKUNG SCHWARZ	POWER CORD COVER BLACK
004.000		759551712400		VESA RUECKWANDSCHRAUBE SCHWARZ	VESA BACKCOVER SCREW BLACK
005.000		759551627900		STANDFUSS SCHWARZ	STAND FOOT BLACK
005.100		759551694000		STANDFUSS SCHRAUBE SILBER M8X40	STANDFOOTS CREW SILVER M8X40
007.000		759551626000		KNOPF PROG/ON-OFF SCHWARZ	KNOB PROG/ON-OFF SCHWARZ
015.000		759551712800		LAUTSPRECHER 8R 10/15W 30x193	SPEAKER 8R 10/15W 30x193
018.000		759551600400		KABEL DISPLAY-LVDS 500 MM	CABLE DISPLAY-LVDS 500 MM
019.000		759551622600		KABEL LVDS 41 P 500MM	CABLE LVDS 41 P 500MM
020.000	△	056D46-SS17		LCD-DISPLAY SS LTA460HJ20-L01/A01 KEIN ERSATZTEIL	LCD-DISPLAY SS LTA460HJ20-L01/A01 NO SPARE PART
020.100	△	759551740400		T-CON MODUL (XQF)	T-CON BOARD (XQF)
020.200	△	759551740500		INVERTERMODUL (XQW)	INVERTERBOARD (XQW)
021.000		759551611500		INVERTERKABEL 230 MM	INVERTER CABLE 230 MM
022.000	△	759551672300		NETZKABEL 160CM	POWER CABLE 160CM
023.000	△	275990318000	X	NETZTEIL 32D-LED PSU NSWITCH (ZGU)	POWER 32D-LED PSU NSWITCH (ZGU)
025.000	△	275991206800		CHASSISMODUL TP (NEJ)	CHASSISMODUL TP (NEJ)
027.000		759551739700		FERNBEDIENUNG TP 7 VER. 2	REMOTE CONTROL TP 7 VER. 2
028.000		720117145300		FERNBEDIENUNG TP EASY SCHWARZ	REMOTE CONTROL TP EASY BLACK
029.000		759551751100		BEDIENMODUL (ZFR)	KEYBOARD (ZFR)
030.000		759551057800		TASTSCHALTER	KEY SWITCH
031.000		759551057800		IR/LED MODUL (VNR)	IR/LED BOARD (VNR)
032.000		759551544900		IR-EMPFAENGER TSOP35436TT	IR-RECEIVER TSOP35436TT
033.000		759551726800		LED-SMD 1206 BLAU 112MCD 3.3V	LED-SMD 1206 BLUE 112MCD 3.3V
034.000		759551624500		KABEL 6 PIN 1000 MM	CABLE 6 PIN 1000 MM
090.000		759551693800		KARTON 46	CARTON 46
091.000		759551693600		POLSTER 4 TEILIG	CUSHION 4 PARTS
				DIE BEDIENUNGSANLEITUNG KOENNEN SIE IM INTERNET UNTER FOLGENDER ADRESSE ABRUFEN: WWW.GRUNDIG.DE MENU: DOWNLOADS	THE INSTRUCTION MANUAL CAN BE DOWNLOADED FROM THE INTERNET UNDER THE FOLLOWING ADDRESS: WWW.GRUNDIG.DE MENU: DOWNLOADS
				SERVICE MANUAL D/GB 720100558200 720108000001	SERVICE MANUAL D/GB SERVICE MANUAL D/GB SUPPLEMENT 3 SAFETY SERVICE MANUAL D/GB/E/F/I
				X = SIEHE GESONDERTE E-LISTE	X = SEE SEPARATE PARTS LIST

Es gelten die Vorschriften und Sicherheitshinweise gemäß dem Service Manual "Sicherheit", Mat.-Nummer 720108000001, sowie zusätzlich die eventuell abweichenden, landesspezifischen Vorschriften!



The regulations and safety instructions shall be valid as provided by the "Safety" Service Manual, part number 720108000001, as well as the respective national deviations.

ÄNDERUNGEN VORBEHALTEN / SUBJECT TO ALTERATION

Ersatzteilliste  
Spare Parts List

NUR FÜR INTERNEN GEBRAUCH  
FOR INTERNAL USE ONLY

TV

10 / 2012

46 VLE 7230 BH

BESTELL-NR. / ORDER NO.: LDJ000 (LDJ)

POS. NR. POS. NO.	ABB. FIG.	MATERIAL-NR. PART NUMBER	ANZ. QTY.	BEZEICHNUNG (D)	DESCRIPTION (GB)
		LDJ000		46 VLE 7230 BH PRODUKTCODE LDJ KEIN E-TEIL	46 VLE 7230 BH PRODUCT CODE LDJ NO SPARE PART
				<b>Hinweis:</b> Sollte in dieser Ersatzteilliste Ihr "Product Code" oder Ihre Display-Variante nicht aufgeführt sein, finden Sie eine aktualisierte Version auf dem GRUNDIG Service-Portal " <a href="http://service.grundig.de">http://service.grundig.de</a> ".	<b>Note:</b> If your "Product Code" or display variant is not mentioned in the spare parts list, please look for a current version at the GRUNDIG service portal " <a href="http://service.grundig.de">http://service.grundig.de</a> ".
001.000		759551619700		GEH.- VORDERTEIL SCHWARZ	FRONT CABINET BLACK
002.000		759551635000		RUECKWAND SCHWARZ	BACK COVER BLACK
003.000		759551673300		NETZKABEL ABDECKUNG SCHWARZ	POWER CORD COVER BLACK
004.000		759551695700		IR-LINSE	IR-LENS
005.000		759551619900		STANDFUSS SCHWARZ GLAS	STAND FOOT BLACK GLASS
006.000		759551694000		STANDFUSS SCHRAUBE SILBER M8X40	STANDFOOTS CREW SILVER M8X40
007.000		759551626000		KNOPF PROG/ON-OFF SCHWARZ	KNOB PROG/ON-OFF SCHWARZ
008.000		759551654700		VESA RUECKWANDSCHRAUBE	VESA BACKCOVER SCREW
015.000		759551614100		LAUTSPRECHER 8 OHM 10/13,5 W 30x193	SPEAKER 8 OHM 10/13,5 W 30x193
018.000		759551600400		KABEL DISPLAY-LVDS 500 MM	CABLE DISPLAY-LVDS 500 MM
019.000		759551622600		KABEL LVDS 41 P 500MM	CABLE LVDS 41 P 500MM
020.000	△	056D46-SS13C		LCD-DISPLAY LTA460HJ14-C03 KEIN ERSATZTEIL	LCD-DISPLAY LTA460HJ14-C03 NO SPARE PART
020.100	△	759551648300		T-CON MODUL (XZF)	T-CON BOARD (XZF)
020.200	△	759551641100		INVERTERMODUL (XRF)	INVERTERBOARD (XRF)
021.000		759551611500		INVERTERKABEL 230 MM	INVERTER CABLE 230 MM
022.000	△	759551343100		NETZKABEL 180CM	POWER CABLE 180CM
023.000	△	275990312800		LP-NETZTEILMOD.175W 2011 SLIM TV PSU	POWER BOARD 175W 2011 SLIM TV PSU
025.000	△	275991178700	X	CHASSISMODUL TP (LDJ)	CHASSIS BOARD TP (LDJ)
027.000		720117226300		FERNBEDIENUNG TP7	REMOTE CONTROL TP7
028.000		720117145300		FERNBEDIENUNG TP EASY SCHWARZ	REMOTE CONTROL TP EASY BLACK
029.000		759551649400		BEDIENMODUL (VSC)	KEYBOARD (VSC)
030.000		759551057800		TASTSCHALTER	KEY SWITCH
031.000		759551649500		IR/LED MODUL (VNR)	IR/LED BOARD (VNR)
032.000		759551544900		IR-EMPFANGER TSOP35436TT	IR-RECEIVER TSOP35436TT
033.000		759551549100		LED-SMD 1206 BLAU 250MCD 3.3V	LED-SMD 1206 BLUE 250MCD 3.3V
038.000		759551649600		WIFI MODUL	WIFI BOARD
090.000		759551693700		KARTON 46	CARTON 46
091.000		759551693600		POLSTER 4 TEILIG	CUSHION 4 PARTS
				DIE BEDIENUNGSANLEITUNG KOENNEN SIE IM INTERNET UNTER FOLGENDER ADRESSE ABRUFEN: WWW.GRUNDIG.DE MENU: DOWNLOADS	THE INSTRUCTION MANUAL CAN BE DOWNLOADED FROM THE INTERNET UNDER THE FOLLOWING ADDRESS: WWW.GRUNDIG.DE MENU: DOWNLOADS
		720100558000		SERVICE MANUAL D/GB	SERVICE MANUAL D/GB
		720100558200		SERVICE MANUAL D/GB 3. ERGAENZUNG	SERVICE MANUAL D/GB SUPPLEMENT 3
		720108000001		SICHERHEITSMANUAL D/GB/E/F/I	SAFETY SERVICE MANUAL D/GB/E/F/I
				X = SIEHE GESONDERTE E-LISTE	X = SEE SEPARATE PARTS LIST

61

Es gelten die Vorschriften und Sicherheitshinweise gemäß dem Service Manual "Sicherheit", Mat.-Nummer 720108000001, sowie zusätzlich die eventuell abweichenden, landesspezifischen Vorschriften!



The regulations and safety instructions shall be valid as provided by the "Safety" Service Manual, part number 720108000001, as well as the respective national deviations.

ÄNDERUNGEN VORBEHALTEN / SUBJECT TO ALTERATION

Ersatzteilliste  
Spare Parts List

NUR FÜR INTERNEN GEBRAUCH  
FOR INTERNAL USE ONLY

TV

1 / 2013

46 VLE 7230 BR

BESTELL-NR. / ORDER NO.: LRC000 (LRC)

POS. NR. POS. NO.	ABB. FIG.	MATERIAL-NR. PART NUMBER	ANZ. QTY.	BEZEICHNUNG (D)	DESCRIPTION (GB)
		LRC000		46 VLE 7230 BR PRODUKTCODE LRC KEIN E-TEIL	46 VLE 7230 BR PRODUCT CODE LRC NO SPARE PART
				<b>Hinweis:</b> Sollte in dieser Ersatzteilliste Ihr "Product Code" oder Ihre Display-Variante nicht aufgeführt sein, finden Sie eine aktualisierte Version auf dem GRUNDIG Service-Portal " <a href="http://service.grundig.de">http://service.grundig.de</a> ".	<b>Note:</b> If your "Product Code" or display variant is not mentioned in the spare parts list, please look for a current version at the GRUNDIG service portal " <a href="http://service.grundig.de">http://service.grundig.de</a> ".
001.000		759551655800		GEH.- VORDERTEIL SCHWARZ	FRONT CABINET BLACK
001.100		759551696200		IR-LINSE	IR-LENS
002.000		759551635000		RUECKWAND SCHWARZ	BACK COVER BLACK
003.000		759551673300		NETZKABEL ABDECKUNG SCHWARZ	POWER CORD COVER BLACK
004.000		759551712400		VESA RUECKWANDSCHRAUBE SCHWARZ	VESA BACKCOVER SCREW BLACK
005.000		759551627900		STANDFUSS SCHWARZ	STAND FOOT BLACK
005.100		759551703500		STANDFUSS SCHRAUBE SCHWARZ M4X12	STANDFOOT SCREW BLACK M4X12
007.000		759551626000		KNOPF PROG/ON-OFF SCHWARZ	KNOB PROG/ON-OFF SCHWARZ
015.000		759551614100		LAUTSPRECHER 8R 10/13,5W 30x193	SPEAKER 8R 10/13,5W 30x193
018.000		759551600400		KABEL DISPLAY-LVDS 500 MM	CABLE DISPLAY-LVDS 500 MM
019.000		759551622600		KABEL LVDS 41 P 500MM	CABLE LVDS 41 P 500MM
020.000	△	056D46-SS13C		LCD-DISPLAY LTA460HJ14-C03 100HZ KEIN ERSATZTEIL	LCD-DISPLAY LTA460HJ14-C03 100HZ NO SPARE PART
020.100	△	759551648300		T-CON MODUL (XZF)	T-CON BOARD (XZF)
020.200	△	759551641100		INVERTERMODUL (XRF)	INVERTERBOARD (XRF)
021.000		759551611500		INVERTERKABEL 230 MM	INVERTER CABLE 230 MM
022.000	△	759551672300		NETZKABEL 160CM	POWER CABLE 160CM
023.000	△	275990312800		NETZTEILMOD. 175W 2011 PSU	POWER BOARD 175W 2011 PSU
025.000	△	275991186900		CHASSISMODUL TP (LRC)	CHASSIS BOARD TP (LRC)
027.000		720117226300		FERNBEDIENUNG TP7	REMOTE CONTROL TP7
028.000		720117145300		FERNBEDIENUNG TP EASY SCHWARZ	REMOTE CONTROL TP EASY BLACK
029.000		759551649400		BEDIENMODUL (VSC)	KEYBOARD (VSC)
030.000		759551057800		TASTSCHALTER	KEY SWITCH
031.000		759551649500		IR/LED MODUL (VNR)	IR/LED BOARD (VNR)
032.000		759551544900		IR-EMPFANGER TSOP35436TT	IR-RECEIVER TSOP35436TT
033.000		759551549100		LED-SMD 1206 BLAU 250MCD 3.3V	LED-SMD 1206 BLUE 250MCD 3.3V
038.000		759551649600		WIFI MODUL	WIFI BOARD
090.000		759551693800		KARTON 46	CARTON 46
091.000		759551693600		POLSTER 4 TEILIG	CUSHION 4 PARTS
				DIE BEDIENUNGSANLEITUNG KOENNEN SIE IM INTERNET UNTER FOLGENDER ADRESSE ABRUFEN: WWW.GRUNDIG.DE MENU: DOWNLOADS	THE INSTRUCTION MANUAL CAN BE DOWNLOADED FROM THE INTERNET UNDER THE FOLLOWING ADDRESS: WWW.GRUNDIG.DE MENU: DOWNLOADS
		720100558000		SERVICE MANUAL D/GB	SERVICE MANUAL D/GB
		720100558200		SERVICE MANUAL D/GB 3. ERGAENZUNG	SERVICE MANUAL D/GB SUPPLEMENT 3
		720108000001		SICHERHEITSMANUAL D/GB/E/F/I	SAFETY SERVICE MANUAL D/GB/E/F/I
				X = SIEHE GESONDERTE E-LISTE	X = SEE SEPARATE PARTS LIST

Es gelten die Vorschriften und Sicherheitshinweise gemäß dem Service Manual "Sicherheit", Mat.-Nummer 720108000001, sowie zusätzlich die eventuell abweichenden, landesspezifischen Vorschriften!



The regulations and safety instructions shall be valid as provided by the "Safety" Service Manual, part number 720108000001, as well as the respective national deviations.

ÄNDERUNGEN VORBEHALTEN / SUBJECT TO ALTERATION

Ersatzteilliste  
Spare Parts List

NUR FÜR INTERNEN GEBRAUCH  
FOR INTERNAL USE ONLY

TV

1 / 2013

46 VLE 7230 WR

BESTELL-NR. / ORDER NO.: LRD000 (LRD)

POS. NR. POS. NO.	ABB. FIG.	MATERIAL-NR. PART NUMBER	ANZ. QTY.	BEZEICHNUNG (D)	DESCRIPTION (GB)
		LRD000		46 VLE 7230 WR PRODUKTCODE LRD KEIN E-TEIL	46 VLE 7230 WR PRODUCT CODE LRD NO SPARE PART
				<b>Hinweis:</b> Sollte in dieser Ersatzteilliste Ihr "Product Code" oder Ihre Display-Variante nicht aufgeführt sein, finden Sie eine aktualisierte Version auf dem GRUNDIG Service-Portal <a href="http://service.grundig.de">"http://service.grundig.de"</a> .	<b>Note:</b> If your "Product Code" or display variant is not mentioned in the spare parts list, please look for a current version at the GRUNDIG service portal <a href="http://service.grundig.de">"http://service.grundig.de"</a> .
001.000		759551712900		GEH.- VORDERTEIL WEISS	FRONT CABINET WHITE
001.100		759551696200		IR-LINSE	IR-LENS
002.000		759551713000		RUECKWAND WEISS	BACK COVER WHITE
003.000		759551673200		NETZKABEL ABDECKUNG WEISS	POWER CORD COVER WHITE
004.000		759551712300		VESA RUECKWANDSCHRAUBE SILBER	VESA BACKCOVER SCREW SILVER
005.000		759551648200		STANDFUSS WEISS	STAND FOOT WHITE
005.100		759551694000		STANDFUSS SCHRAUBE SILBER M8X40	STANDFOOTS CREW SILVER M8X40
007.000		759551635400		KNOPF PROG/ON-OFF WEISS	KNOP PROG/ON-OFF WHITE
015.000		759551614100		LAUTSPRECHER 8R 10/13,5W 30x193	SPEAKER 8R 10/13,5W 30x193
018.000		759551600400		KABEL DISPLAY-LVDS 500 MM	CABLE DISPLAY-LVDS 500 MM
019.000		759551622600		KABEL LVDS 41 P 500MM	CABLE LVDS 41 P 500MM
020.000	△	056D46-SS13C		LCD-DISPLAY LTA460HJ14-C03 100HZ KEIN ERSATZTEIL	LCD-DISPLAY LTA460HJ14-C03 100HZ NO SPARE PART
020.100	△	759551648300		T-CON MODUL (XZF)	T-CON BOARD (XZF)
020.200	△	759551641100		INVERTERMODUL (XRF)	INVERTERBOARD (XRF)
021.000		759551611500		INVERTERKABEL 230 MM	INVERTER CABLE 230 MM
022.000	△	759551672300		NETZKABEL 160CM	POWER CABLE 160CM
023.000	△	275990312800		NETZTEILMOD. 175W 2011 PSU	POWER BOARD 175W 2011 PSU
025.000	△	275991186900		CHASSISMODUL TP (LRC)	CHASSIS BOARD TP (LRC)
027.000		720117226300		FERNBEDIENUNG TP7	REMOTE CONTROL TP7
028.000		720117145400		FERNBEDIENUNG TP EASY WEISS	REMOTE CONTROL TP EASY WHITE
029.000		759551649400		BEDIENMODUL (VSC)	KEYBOARD (VSC)
030.000		759551057800		TASTSCHALTER	KEY SWITCH
031.000		759551649500		IR/LED MODUL (VNR)	IR/LED BOARD (VNR)
032.000		759551544900		IR-EMPFÄNGER TSOP35436TT	IR-RECEIVER TSOP35436TT
033.000		759551549100		LED-SMD 1206 BLAU 250MCD 3.3V	LED-SMD 1206 BLUE 250MCD 3.3V
038.000		759551649600		WIFI MODUL	WIFI BOARD
090.000		759551693800		KARTON 46	CARTON 46
091.000		759551693600		POLSTER 4 TEILIG	CUSHION 4 PARTS
				DIE BEDIENUNGSANLEITUNG KOENNEN SIE IM INTERNET UNTER FOLGENDER ADRESSE ABRUFEN: WWW.GRUNDIG.DE MENU: DOWNLOADS	THE INSTRUCTION MANUAL CAN BE DOWNLOADED FROM THE INTERNET UNDER THE FOLLOWING ADDRESS: WWW.GRUNDIG.DE MENU: DOWNLOADS
		720100558000		SERVICE MANUAL D/GB	SERVICE MANUAL D/GB
		720100558200		SERVICE MANUAL D/GB 3. ERGAENZUNG	SERVICE MANUAL D/GB SUPPLEMENT 3
		720108000001		SICHERHEITSMANUAL D/GB/E/F/I	SAFETY SERVICE MANUAL D/GB/E/F/I
				X = SIEHE GESONDERTE E-LISTE	X = SEE SEPARATE PARTS LIST

Ersatzteilliste  
Spare Parts List

NUR FÜR INTERNEN GEBRAUCH  
FOR INTERNAL USE ONLY

TV

12 / 2012

46 VLE 7239 BR

BESTELL-NR. / ORDER NO.: LLW000 (LLW)

POS. NR. POS. NO.	ABB. FIG.	MATERIAL-NR. PART NUMBER	ANZ. QTY.	BEZEICHNUNG (D)	DESCRIPTION (GB)
		LLW000		46 VLE 7239 BR PRODUKTCODE LLW KEIN E-TEIL	46 VLE 7239 BR PRODUCT CODE LLW NO SPARE PART
				<b>Hinweis:</b> Sollte in dieser Ersatzteilliste Ihr "Product Code" oder Ihre Display-Variante nicht aufgeführt sein, finden Sie eine aktualisierte Version auf dem GRUNDIG Service-Portal <a href="http://service.grundig.de">"http://service.grundig.de"</a> .	<b>Note:</b> If your "Product Code" or display variant is not mentioned in the spare parts list, please look for a current version at the GRUNDIG service portal <a href="http://service.grundig.de">"http://service.grundig.de"</a> .
001.000		759551655800		GEH.- VORDERTEIL SCHWARZ	FRONT CABINET BLACK
001.100		759551696200		IR-LINSE	IR-LENS
002.000		759551635000		RUECKWAND SCHWARZ	BACK COVER BLACK
003.000		759551673300		NETZKABEL ABDECKUNG SCHWARZ	POWER CORD COVER BLACK
004.000		759551654700		VESA RUECKWANDSCHRAUBE	VESA BACKCOVER SCREW
005.000		759551627900		STANDFUSS SCHWARZ	STAND FOOT BLACK
005.100		759551694000		STANDFUSS SCHRAUBE SILBER M8X40	STANDFOOTS CREW SILVER M8X40
007.000		759551626000		KNOPF PROG/ON-OFF SCHWARZ	KNOP PROG/ON-OFF SCHWARZ
015.000		759551614100		LAUTSPRECHER 8R 10/13,5W 30x193	SPEAKER 8R 10/13,5W 30x193
018.000		759551600400		KABEL DISPLAY-LVDS 500 MM	CABLE DISPLAY-LVDS 500 MM
019.000		759551622600		KABEL LVDS 41 P 500MM	CABLE LVDS 41 P 500MM
020.000	△	056D46-SS13C		LCD-DISPLAY LTA460HJ14-C03 100HZ KEIN ERSATZTEIL	LCD-DISPLAY LTA460HJ14-C03 100HZ NO SPARE PART
020.100	△	759551648300		T-CON MODUL (XZF)	T-CON BOARD (XZF)
020.200	△	759551641100		INVERTERMODUL (XRF)	INVERTERBOARD (XRF)
021.000		759551611500		INVERTERKABEL 230 MM	INVERTER CABLE 230 MM
022.000	△	759551343100		NETZKABEL 180CM	POWER CABLE 180CM
023.000	△	275990312800		NETZTEILMOD. 175W 2011 PSU	POWER BOARD 175W 2011 PSU
025.000	△	275991163600		CHASSISMODUL TP (KDX)	CHASSIS BOARD TP (KDX)
027.000		720117226300		FERNBEDIENUNG TP7	REMOTE CONTROL TP7
028.000		720117145300		FERNBEDIENUNG TP EASY SCHWARZ	REMOTE CONTROL TP EASY BLACK
029.000		759551649400		BEDIENMODUL (VSC)	KEYBOARD (VSC)
030.000		759551057800		TASTSCHALTER	KEY SWITCH
031.000		759551649500		IR/LED MODUL (VNR)	IR/LED BOARD (VNR)
032.000		759551544900		IR-EMPFÄNGER TSOP35436TT	IR-RECEIVER TSOP35436TT
033.000		759551549100		LED-SMD 1206 BLAU 250MCD 3.3V	LED-SMD 1206 BLUE 250MCD 3.3V
038.000		759551649600		WIFI MODUL	WIFI BOARD
090.000		759551693800		KARTON 46	CARTON 46
091.000		759551693600		POLSTER 4 TEILIG	CUSHION 4 PARTS
				DIE BEDIENUNGSANLEITUNG KOENNEN SIE IM INTERNET UNTER FOLGENDER ADRESSE ABRUFEN: WWW.GRUNDIG.DE MENU: DOWNLOADS	THE INSTRUCTION MANUAL CAN BE DOWNLOADED FROM THE INTERNET UNDER THE FOLLOWING ADDRESS: WWW.GRUNDIG.DE MENU: DOWNLOADS
		720100558000		SERVICE MANUAL D/GB	SERVICE MANUAL D/GB
		720100558200		SERVICE MANUAL D/GB 3. ERGAENZUNG	SERVICE MANUAL D/GB SUPPLEMENT 3
		720108000001		SICHERHEITSMANUAL D/GB/E/F/I	SAFETY SERVICE MANUAL D/GB/E/F/I
				X = SIEHE GESONDERTE E-LISTE	X = SEE SEPARATE PARTS LIST

62

Es gelten die Vorschriften und Sicherheitshinweise gemäß dem Service Manual "Sicherheit", Mat.-Nummer 720108000001, sowie zusätzlich die eventuell abweichenden, landesspezifischen Vorschriften!



The regulations and safety instructions shall be valid as provided by the "Safety" Service Manual, part number 720108000001, as well as the respective national deviations.

ÄNDERUNGEN VORBEHALTEN / SUBJECT TO ALTERATION

Es gelten die Vorschriften und Sicherheitshinweise gemäß dem Service Manual "Sicherheit", Mat.-Nummer 720108000001, sowie zusätzlich die eventuell abweichenden, landesspezifischen Vorschriften!



The regulations and safety instructions shall be valid as provided by the "Safety" Service Manual, part number 720108000001, as well as the respective national deviations.

ÄNDERUNGEN VORBEHALTEN / SUBJECT TO ALTERATION

Ersatzteilliste  
Spare Parts List

NUR FÜR INTERNEN GEBRAUCH  
FOR INTERNAL USE ONLY

TV

2 / 2013

46 VLE 7239 WR

BESTELL-NR. / ORDER NO.: LRB000 (LRB)

POS. NR. POS. NO.	ABB. FIG.	MATERIAL-NR. PART NUMBER	ANZ. QTY.	BEZEICHNUNG (D)	DESCRIPTION (GB)
		LRB000		46 VLE 7239 WR PRODUKTCODE <b>LRB</b> KEIN E-TEIL	46 VLE 7239 WR PRODUCT CODE <b>LRB</b> NO SPARE PART
				<b>Hinweis:</b> Sollte in dieser Ersatzteilliste Ihr "Product Code" oder Ihre Display-Variante nicht aufgeführt sein, finden Sie eine aktualisierte Version auf dem GRUNDIG Service-Portal " <a href="http://service.grundig.de">http://service.grundig.de</a> ".	<b>Note:</b> If your "Product Code" or display variant is not mentioned in the spare parts list, please look for a current version at the GRUNDIG service portal " <a href="http://service.grundig.de">http://service.grundig.de</a> ".
001.000		759551712900		GEH.- VORDERTEIL WEISS	FRONT CABINET WHITE
001.100		759551696200		IR-LINSE	IR-LENS
002.000		759551713000		RUECKWAND WEISS	BACK COVER WHITE
003.000		759551673200		NETZKABEL ABDECKUNG WEISS	POWER CORD COVER WHITE
004.000		759551712300		VESA RUECKWANDSCHRAUBE SILBER	VESA BACKCOVER SCREW SILVER
005.000		759551648200		STANDFUSS WEISS	STAND FOOT WHITE
005.100		759551694000		STANDFUSS SCHRAUBE SILBER M8X40	STANDFOOTS CREW SILVER M8X40
007.000		759551635400		KNOPF PROG/ON-OFF WEISS	KNOP PROG/ON-OFF WHITE
015.000		759551614100		LAUTSPRECHER 8R 10/13,5W 30x193	SPEAKER 8R 10/13,5W 30x193
018.000		759551600400		KABEL DISPLAY-LVDS 500 MM	CABLE DISPLAY-LVDS 500 MM
019.000		759551622600		KABEL LVDS 41 P 500MM	CABLE LVDS 41 P 500MM
020.000	△	056D46-SS13C		LCD-DISPLAY LTA460HJ14-C03 100HZ KEIN ERSATZTEIL	LCD-DISPLAY LTA460HJ14-C03 100HZ NO SPARE PART
020.100	△	759551648300		T-CON MODUL (XZF)	T-CON BOARD (XZF)
020.200	△	759551641100		INVERTERMODUL (XRF)	INVERTERBOARD (XRF)
021.000		759551611500		INVERTERKABEL 230 MM	INVERTER CABLE 230 MM
022.000	△	759551672300		NETZKABEL 160CM	POWER CABLE 160CM
023.000	△	275990312800		NETZTEILMOD. 175W 2011 PSU	POWER BOARD 175W 2011 PSU
025.000	△	275991163600	X	CHASSISMODUL TP (KDX)	CHASSIS BOARD TP (KDX)
027.000		720117226300		FERNBEDIENUNG TP7	REMOTE CONTROL TP7
028.000		720117145400		FERNBEDIENUNG TP EASY WEISS	REMOTE CONTROL TP EASY WHITE
029.000		759551649400		BEDIENMODUL (VSC)	KEYBOARD (VSC)
030.000		759551057800		TASTSCHALTER	KEY SWITCH
031.000		759551649500		IR/LED MODUL (VNR)	IR/LED BOARD (VNR)
032.000		759551544900		IR-EMPFAENGER TSOP35436TT	IR-RECEIVER TSOP35436TT
033.000		759551549100		LED-SMD 1206 BLAU 250MCD 3.3V	LED-SMD 1206 BLUE 250MCD 3.3V
038.000		759551649600		WIFI MODUL	WIFI BOARD
090.000		759551693800		KARTON 46	CARTON 46
091.000		759551693600		POLSTER 4 TEILIG	CUSHION 4 PARTS
				DIE BEDIENUNGSANLEITUNG KOENNEN SIE IM INTERNET UNTER FOLGENDER ADRESSE ABRUFEN: WWW.GRUNDIG.DE MENU: DOWNLOADS	THE INSTRUCTION MANUAL CAN BE DOWNLOADED FROM THE INTERNET UNDER THE FOLLOWING ADDRESS: WWW.GRUNDIG.DE MENU: DOWNLOADS
		720100558000		SERVICE MANUAL D/GB	SERVICE MANUAL D/GB
		720100558200		SERVICE MANUAL D/GB 3. ERGAENZUNG	SERVICE MANUAL D/GB SUPPLEMENT 3
		720108000001		SICHERHEITSMANUAL D/GB/E/F/I	SAFETY SERVICE MANUAL D/GB/E/F/I
			X	X = SIEHE GESONDERTE E-LISTE	X = SEE SEPARATE PARTS LIST

63

Es gelten die Vorschriften und Sicherheitshinweise gemäß dem Service Manual "Sicherheit", Mat.-Nummer 720108000001, sowie zusätzlich die eventuell abweichenden, landesspezifischen Vorschriften!



The regulations and safety instructions shall be valid as provided by the "Safety" Service Manual, part number 720108000001, as well as the respective national deviations.

ÄNDERUNGEN VORBEHALTEN / SUBJECT TO ALTERATION

Ersatzteilliste  
Spare Parts List

NUR FÜR INTERNEN GEBRAUCH  
FOR INTERNAL USE ONLY

TV

4 / 2014

46 VLE 7339 BR

BESTELL-NR. / ORDER NO.: NQZ000 (NQZ)

POS. NR. POS. NO.	ABB. FIG.	MATERIAL-NR. PART NUMBER	ANZ. QTY.	BEZEICHNUNG (D)	DESCRIPTION (GB)
		NQZ000		46 VLE 7339 BR PRODUKTCODE <b>NQZ</b> KEIN E-TEIL	46 VLE 7339 BR PRODUCT CODE <b>NQZ</b> NO SPARE PART
				<b>Hinweis:</b> Sollte in dieser Ersatzteilliste Ihr "Product Code" oder Ihre Display-Variante nicht aufgeführt sein, finden Sie eine aktualisierte Version auf dem GRUNDIG Service-Portal " <a href="http://service.grundig.de">http://service.grundig.de</a> ".	<b>Note:</b> If your "Product Code" or display variant is not mentioned in the spare parts list, please look for a current version at the GRUNDIG service portal " <a href="http://service.grundig.de">http://service.grundig.de</a> ".
001.000		759551754800		GEH.- VORDERTEIL SCHWARZ	FRONT CABINET BLACK
001.100		759551696200		IR-LINSE	IR-LENS
002.000		759551635000		RUECKWAND SCHWARZ	BACK COVER BLACK
003.000		759551673300		NETZKABEL ABDECKUNG SCHWARZ	POWER CORD COVER BLACK
004.000		759551712400		VESA RUECKWANDSCHRAUBE SCHWARZ	VESA BACKCOVER SCREW BLACK
005.000		759551627900		STANDFUSS SCHWARZ	STAND FOOT BLACK
005.100		759551716800		STANDFUSS SCHRAUBE SILBER M4X6	STANDFOOTS CREW SILVER M4X6
007.000		759551761000		KNOPF KONTROLL SCHWARZ	KNOP CONTROL BLACK
018.000		759551600400		KABEL DISPLAY-LVDS 500 MM	CABLE DISPLAY-LVDS 500 MM
019.000		759551622600		KABEL LVDS 41 P 500MM	CABLE LVDS 41 P 500MM
020.000	△	056D46-SS17		LCD-DISPLAY SS LTA460HJ20-L01/A01 KEIN ERSATZTEIL	LCD-DISPLAY SS LTA460HJ20-L01/A01 NO SPARE PART
020.100	△	759551740400		T-CON MODUL (XQF)	T-CON BOARD (XQF)
020.200	△	759551740500		INVERTERMODUL (XQW)	INVERTERBOARD (XQW)
021.000		759551611500		INVERTERKABEL 230 MM	INVERTER CABLE 230 MM
021.100		759551761600		KABEL CHASSIS NETZEIL 200 MM 14 PIN	CABLE CHASSIS POWERBOARD 200 MM
022.000	△	759551672300		NETZKABEL 160CM	POWER CABLE 160CM
023.000	△	275990318000		NETZTEIL 32D-LED PSU NSWITCH (ZGU)	POWER 32D-LED PSU NSWITCH (ZGU)
025.000	△	275991211900	X	CHASSISMODUL TP (NQZ)	CHASSIS BOARD TP (NQZ)
027.000		759551739700		FERNBEDIENUNG TP 7 VER. 2	REMOTE CONTROL TP 7 VER. 2
028.000		720117145300		FERNBEDIENUNG TP EASY SCHWARZ	REMOTE CONTROL TP EASY BLACK
029.000		759551751100		BEDIENMODUL (ZFR)	KEYBOARD (ZFR)
030.000		759551057800		TASTSCHALTER	KEY SWITCH
031.000		759551649500		IR/LED MODUL (VNR)	IR/LED BOARD (VNR)
032.000		759551544900		IR-EMPFAENGER TSOP35436TT	IR-RECEIVER TSOP35436TT
033.000		759551726800		LED-SMD 1206 BLAU 112MCD 3.3V	LED-SMD 1206 BLUE 112MCD 3.3V
034.000		759551624500		KABEL 6 PIN 1000 MM	CABLE 6 PIN 1000 MM
035.000		759551762000		KABEL 3 PIN 150 MM	CABLE 3 PIN 150 MM
090.000		759551693800		KARTON 46	CARTON 46
091.000		759551693600		POLSTER 4 TEILIG	CUSHION 4 PARTS
				DIE BEDIENUNGSANLEITUNG KOENNEN SIE IM INTERNET UNTER FOLGENDER ADRESSE ABRUFEN: WWW.GRUNDIG.DE MENU: DOWNLOADS	THE INSTRUCTION MANUAL CAN BE DOWNLOADED FROM THE INTERNET UNDER THE FOLLOWING ADDRESS: WWW.GRUNDIG.DE MENU: DOWNLOADS
		720100558000		SERVICE MANUAL D/GB	SERVICE MANUAL D/GB
		720100558200		SERVICE MANUAL D/GB 3. ERGAENZUNG	SERVICE MANUAL D/GB SUPPLEMENT 3
		720108000001		SICHERHEITSMANUAL D/GB/E/F/I	SAFETY SERVICE MANUAL D/GB/E/F/I
			X	X = SIEHE GESONDERTE E-LISTE	X = SEE SEPARATE PARTS LIST

Es gelten die Vorschriften und Sicherheitshinweise gemäß dem Service Manual "Sicherheit", Mat.-Nummer 720108000001, sowie zusätzlich die eventuell abweichenden, landesspezifischen Vorschriften!



The regulations and safety instructions shall be valid as provided by the "Safety" Service Manual, part number 720108000001, as well as the respective national deviations.

ÄNDERUNGEN VORBEHALTEN / SUBJECT TO ALTERATION

Ersatzteilliste  
Spare Parts List

NUR FÜR INTERNEN GEBRAUCH  
FOR INTERNAL USE ONLY

TV

8 / 2013

46 VLE 8003 BL

POS. NR. POS. NO.	ABB. FIG.	MATERIAL-NR. PART NUMBER	ANZ. QTY.	BEZEICHNUNG (D)	BESTELL-NR. / ORDER NO.: MDB000 (MDB)	DESCRIPTION (GB)
		MDB000		46 VLE 8003 BL PRODUKTCODE <b>MDB</b> KEIN E-TEIL		46 VLE 8003 BL PRODUCT CODE <b>MDB</b> NO SPARE PART
				<b>Hinweis:</b> Sollte in dieser Ersatzteilliste Ihr "Product Code" oder Ihre Display-Variante nicht aufgeführt sein, finden Sie eine aktualisierte Version auf dem GRUNDIG Service-Portal <a href="http://service.grundig.de">"http://service.grundig.de"</a> .		<b>Note:</b> If your "Product Code" or display variant is not mentioned in the spare parts list, please look for a current version at the GRUNDIG service portal <a href="http://service.grundig.de">"http://service.grundig.de"</a> .
001.000		759551737000		GEH.- VORDERTEIL SCHWARZ		FRONT CABINET BLACK
001.100		759551696200		IR-LINSE		IR-LENS
002.000		759551634700		RUECKWAND SCHWARZ		BACK COVER BLACK
003.000		759551673300		NETZKABEL ABDECKUNG SCHWARZ		POWER CORD COVER BLACK
004.000		759551712400		VESA RUECKWANDSCHRAUBE SCHWARZ		VESA BACKCOVER SCREW BLACK
005.000		759551627900		STANDFUSS SCHWARZ		STAND FOOT BLACK
007.000		759551626000		KNOPF PROG/ON-OFF SCHWARZ		KNOB PROG/ON-OFF SCHWARZ
015.000		759551712800		LAUTSPRECHER 8R 10/15W 30x193		SPEAKER 8R 10/15W 30x193
018.000		759551600400		KABEL DISPLAY-LVDS 500 MM		CABLE DISPLAY-LVDS 500 MM
019.000		759551622600		KABEL LVDS 41 P 500MM		CABLE LVDS 41 P 500MM
020.000	△	056K46-SS18		LCD-DISPLAY LTA460HJ19-L01/A01 KEIN ERSATZTEIL		LCD-DISPLAY LTA460HJ19-L01/A01 ELED NO SPARE PART
021.000		759551611500		INVERTERKABEL 230 MM		INVERTER CABLE 230 MM
022.000	△	759551343100		NETZKABEL 180CM		POWER CABLE 180CM
023.000	△	275990315800		NETZTEILMOD. 181W 2011 PSU		POWER BOARD 181W 2011 PSU
025.000	△	275991196700	X	CHASSISMODUL TP (MDB)		CHASSIS BOARD TP (MDB)
027.000		720117226300		FERNBEDIENUNG TP7		REMOTE CONTROL TP7
028.000		720117145300		FERNBEDIENUNG TP EASY SCHWARZ		REMOTE CONTROL TP EASY BLACK
029.000		759551649400		BEDIENMODUL (VSC)		KEYBOARD (VSC)
030.000		759551057800		TASTSCHALTER		KEY SWITCH
031.000		759551649500		IR/LED MODUL (VNR)		IR/LED BOARD (VNR)
032.000		759551544900		IR-EMPPFAENGER TSOP35436TT		IR-RECEIVER TSOP35436TT
033.000		759551726800		LED-SMD 1206 BLAU 112MCD 3.3V		LED-SMD 1206 BLUE 112MCD 3.3V
034.000		759551624500		KABEL 6 PIN 1000 MM		CABLE 6 PIN 1000 MM
035.000		759551737100		EMITTER MODUL (ZBX)		EMITTER BOARD (ZBX)
090.000		759551693800		KARTON 46		CARTON 46
091.000		759551693600		POLSTER 4 TEILIG		CUSHION 4 PARTS
				DIE BEDIENUNGSANLEITUNG KOENNEN SIE IM INTERNET UNTER FOLGENDER ADRESSE ABRUFEN: WWW.GRUNDIG.DE MENU: DOWNLOADS		THE INSTRUCTION MANUAL CAN BE DOWNLOADED FROM THE INTERNET UNDER THE FOLLOWING ADDRESS: WWW.GRUNDIG.DE MENU: DOWNLOADS
		720100558000		SERVICE MANUAL D/GB		SERVICE MANUAL D/GB
		720100558200		SERVICE MANUAL D/GB 3. ERGAENZUNG		SERVICE MANUAL D/GB SUPPLEMENT 3
		720108000001		SICHERHEITSMANUAL D/GB/E/F/I		SAFETY SERVICE MANUAL D/GB/E/F/I
				X = SIEHE GESONDERTE E-LISTE		X = SEE SEPARATE PARTS LIST

64

Es gelten die Vorschriften und Sicherheitshinweise gemäß dem Service Manual "Sicherheit", Mat.-Nummer 720108000001, sowie zusätzlich die eventuell abweichenden, landesspezifischen Vorschriften!



The regulations and safety instructions shall be valid as provided by the "Safety" Service Manual, part number 720108000001, as well as the respective national deviations.

ÄNDERUNGEN VORBEHALTEN / SUBJECT TO ALTERATION

Ersatzteilliste  
Spare Parts List

NUR FÜR INTERNEN GEBRAUCH  
FOR INTERNAL USE ONLY

TV

11 / 2013

46 VLE 8009 BL

POS. NR. POS. NO.	ABB. FIG.	MATERIAL-NR. PART NUMBER	ANZ. QTY.	BEZEICHNUNG (D)	BESTELL-NR. / ORDER NO.: NDZ000 (NDZ)	DESCRIPTION (GB)
		NDZ000		46 VLE 8009 BL PRODUKTCODE <b>NDZ</b> KEIN E-TEIL		46 VLE 8009 BL PRODUCT CODE <b>NDZ</b> NO SPARE PART
				<b>Hinweis:</b> Sollte in dieser Ersatzteilliste Ihr "Product Code" oder Ihre Display-Variante nicht aufgeführt sein, finden Sie eine aktualisierte Version auf dem GRUNDIG Service-Portal <a href="http://service.grundig.de">"http://service.grundig.de"</a> .		<b>Note:</b> If your "Product Code" or display variant is not mentioned in the spare parts list, please look for a current version at the GRUNDIG service portal <a href="http://service.grundig.de">"http://service.grundig.de"</a> .
001.000		759551737000		GEH.- VORDERTEIL SCHWARZ		FRONT CABINET BLACK
001.100		759551696200		IR-LINSE		IR-LENS
002.000		759551634700		RUECKWAND SCHWARZ		BACK COVER BLACK
003.000		759551673300		NETZKABEL ABDECKUNG SCHWARZ		POWER CORD COVER BLACK
004.000		759551712400		VESA RUECKWANDSCHRAUBE SCHWARZ		VESA BACKCOVER SCREW BLACK
005.000		759551627900		STANDFUSS SCHWARZ		STAND FOOT BLACK
005.100		759551694000		STANDFUSS SCHRAUBE SILBER M8X40		STANDFOOTS CREW SILVER M8X40
006.000		759551703500		STANDFUSS SCHRAUBE SCHWARZ M4X12		STANDFOOTS CREW BLACK M4X12
007.000		759551626000		KNOPF PROG/ON-OFF SCHWARZ		KNOB PROG/ON-OFF SCHWARZ
015.000		759551712800		LAUTSPRECHER 8R 10/15W 30x193		SPEAKER 8R 10/15W 30x193
018.000		759551600400		KABEL DISPLAY-LVDS 500 MM		CABLE DISPLAY-LVDS 500 MM
019.000		759551622600		KABEL LVDS 41 P 500MM		CABLE LVDS 41 P 500MM
020.000	△	056K46-SS18		LCD-DISPLAY SS LTA460HJ19-L01/A01 KEIN ERSATZTEIL		LCD-DISPLAY SS LTA460HJ19-L01/A01 NO SPARE PART
020.100	△	759551740100		T-CON MODUL (XQH)		T-CON BOARD (XQH)
020.200	△	759551740200		INVERTERMODUL (XQY)		INVERTERBOARD (XQY)
021.000		759551611500		INVERTERKABEL 230 MM		INVERTER CABLE 230 MM
022.000	△	759551672300		NETZKABEL 160CM		POWER CABLE 160CM
023.000	△	275990318800		NETZTEIL 32D-LED PSU NSWITCH (ZGU)		POWER 32D-LED PSU NSWITCH (ZGU)
025.000	△	275991204100	X	CHASSISMODUL TP (NDZ)		CHASSIS BOARD TP (NDZ)
027.000		759551739700		FERNBEDIENUNG TP 7 VER. 2		REMOTE CONTROL TP 7 VER. 2
028.000		720117145300		FERNBEDIENUNG TP EASY SCHWARZ		REMOTE CONTROL TP EASY BLACK
029.000		759551751100		BEDIENMODUL (ZFR)		KEYBOARD (ZFR)
030.000		759551057800		TASTSCHALTER		KEY SWITCH
031.000		759551649500		IR/LED MODUL (VNR)		IR/LED BOARD (VNR)
032.000		759551544900		IR-EMPPFAENGER TSOP35436TT		IR-RECEIVER TSOP35436TT
033.000		759551726800		LED-SMD 1206 BLAU 112MCD 3.3V		LED-SMD 1206 BLUE 112MCD 3.3V
034.000		759551624500		KABEL 6 PIN 1000 MM		CABLE 6 PIN 1000 MM
035.000		759551737100		EMITTER MODUL (ZBX)		EMITTER BOARD (ZBX)
038.000		759551649600		WIFI MODUL		WIFI BOARD
090.000		759551693800		KARTON 46		CARTON 46
091.000		759551693600		POLSTER 4 TEILIG		CUSHION 4 PARTS
				DIE BEDIENUNGSANLEITUNG KOENNEN SIE IM INTERNET UNTER FOLGENDER ADRESSE ABRUFEN: WWW.GRUNDIG.DE MENU: DOWNLOADS		THE INSTRUCTION MANUAL CAN BE DOWNLOADED FROM THE INTERNET UNDER THE FOLLOWING ADDRESS: WWW.GRUNDIG.DE MENU: DOWNLOADS
		720100558000		SERVICE MANUAL D/GB		SERVICE MANUAL D/GB
		720100558200		SERVICE MANUAL D/GB 3. ERGAENZUNG		SERVICE MANUAL D/GB SUPPLEMENT 3
		720108000001		SICHERHEITSMANUAL D/GB/E/F/I		SAFETY SERVICE MANUAL D/GB/E/F/I
				X = SIEHE GESONDERTE E-LISTE		X = SEE SEPARATE PARTS LIST

Es gelten die Vorschriften und Sicherheitshinweise gemäß dem Service Manual "Sicherheit", Mat.-Nummer 720108000001, sowie zusätzlich die eventuell abweichenden, landesspezifischen Vorschriften!



The regulations and safety instructions shall be valid as provided by the "Safety" Service Manual, part number 720108000001, as well as the respective national deviations.

ÄNDERUNGEN VORBEHALTEN / SUBJECT TO ALTERATION

Ersatzteilliste  
Spare Parts List

NUR FÜR INTERNEN GEBRAUCH  
FOR INTERNAL USE ONLY

TV

2 / 2012

46 VLE 8160 WL

BESTELL-NR. / ORDER NO.: GBJ1946 (KQS)

POS. NR. POS. NO.	ABB. FIG.	MATERIAL-NR. PART NUMBER	ANZ. QTY.	BEZEICHNUNG (D)	DESCRIPTION (GB)
		GBJ1946		46 VLE 8160 WL PRODUKT CODE <b>KQS</b> KEIN E-TEIL	46 VLE 8160 WL PRODUCT CODE <b>KQS</b> NO SPARE PART
				<b>Hinweis:</b> Sollte in dieser Ersatzteilliste Ihr "Product Code" oder Ihre Display-Variante nicht aufgeführt sein, finden Sie eine aktualisierte Version auf dem GRUNDIG Service-Portal " <a href="http://service.grundig.de">http://service.grundig.de</a> ".	<b>Note:</b> If your "Product Code" or display variant is not mentioned in the spare parts list, please look for a current version at the GRUNDIG service portal " <a href="http://service.grundig.de">http://service.grundig.de</a> ".
001.000		759551650400		GEH.- VORDERTEIL WEISS	FRONT CABINET WHITE
002.000		759551650500		RUECKWAND WEISS	BACK COVER WHITE
005.000		759551648200		STANDFUSS WEISS	STAND FOOT WHITE
007.000		759551635400		KNOPF PROG/ON-OFF WEISS	KNOP PROG/ON-OFF WHITE
015.000		759551614100		LAUTSPRECHER 8R 10/13,5W 30x193	SPEAKER 8R 10/13,5W 30x193
017.000		759551622400		LAUTSPR. WOOFER 16R 5/7W 71x71	SPEAKER WOOFER 16R 5/7W 71x71
018.000		759551600400		KABEL DISPLAY-LVDS 500 MM	CABLE DISPLAY-LVDS 500 MM
019.000		759551622600		KABEL LVDS 41 P 500MM	CABLE LVDS 41 P 500MM
020.000	△	759551647400		LCD-DISPLAY LTA460HJ14-C03 100HZ*1	LCD-DISPLAY LTA460HJ14-C03 100HZ*1
020.000		759551650800		LCD-DISPLAY LTA460HQ12-Q03*2	LCD-DISPLAY LTA460HQ12-Q03*2
020.100	△	759551648300		T-CON MODUL (XZF)*1	T-CON BOARD (XZF)*1
020.100	△	759551650900		T-CON MODUL (XYT)*2	T-CON BOARD (XYT)*2
020.200	△	759551641100		INVERTERMODUL (XRF)	INVERTERBOARD (XRF)
021.000		759551611500		INVERTERKABEL 230 MM	INVERTER CABLE 230 MM
022.000	△	759551343100		NETZKABEL 180CM	POWER CABLE 180CM
023.000	△	275990312800		NETZTEILMOD. 175W 2011 PSU	POWER BOARD 175W 2011 PSU
025.000	△	275991163100	X	CHASSISMODUL TP (KCM)*1	CHASSIS BOARD TP (KCM)*1
025.000	△	275991164300	X	CHASSISMODUL TP (B89)*2	CHASSIS BOARD TP (B89)*2
027.000		720117226300		FERNBEDIENUNG TP7	REMOTE CONTROL TP7
028.000		720117145400		FERNBEDIENUNG TP EASY WEISS	REMOTE CONTROL TP EASY WHITE
029.000		759551649400		BEDIENMODUL (VSC)	KEYPAD BOARD (VSC)
030.000		759551057800		TASTSCHALTER	KEY SWITCH
031.000		759551649500		IR/LED MODUL (VNR)	IR/LED BOARD (VNR)
032.000		759551544900		IR-EMPFAENGER TSOP35436TT	IR-RECEIVER TSOP35436TT
033.000		759551549100		LED-SMD 1206 BLAU 250MCD 3.3V	LED-SMD 1206 BLUE 250MCD 3.3V
034.000		759551622600		3D-EMITTER MODUL*1	3D-EMITTER BOARD*1
034.000		759551650600		3D-EMITTER MODUL*2	3D-EMITTER BOARD*2
038.000		759551649600		WIFI MODUL	WIFI BOARD
090.000		759551620100		KARTON 46 LED	CARTON 46 LED
091.000		759551634500		POLSTER OBEN	CUSHION TOP
092.000		759551620200		POLSTER OBEN	CUSHION TOP
093.000		759551620300		POLSTER UNTEN	CUSHION BOTTOM
094.000		759551634600		POLSTER UNTEN	CUSHION BOTTOM
				DIE BEDIENUNGSANLEITUNG KOENNEN SIE IM INTERNET UNTER FOLGENDER ADRESSE ABRUFEN: WWW.GRUNDIG.DE MENU: DOWNLOADS	THE INSTRUCTION MANUAL CAN BE DOWNLOADED FROM THE INTERNET UNDER THE FOLLOWING ADDRESS: WWW.GRUNDIG.DE MENU: DOWNLOADS
		720100558000		SERVICE MANUAL D/GB	SERVICE MANUAL D/GB
		720100558200		SERVICE MANUAL D/GB 3. ERGAENZUNG	SERVICE MANUAL D/GB SUPPLEMENT 3
		720108000001		SICHERHEITSMANUAL D/GB/E/F/I	SAFETY SERVICE MANUAL D/GB/E/F/I
				X = SIEHE GESONDERTE E-LISTE	X = SEE SEPARATE PARTS LIST

Es gelten die Vorschriften und Sicherheitshinweise gemäß dem Service Manual "Sicherheit", Mat.-Nummer 720108000001, sowie zusätzlich die eventuell abweichenden, landesspezifischen Vorschriften!



The regulations and safety instructions shall be valid as provided by the "Safety" Service Manual, part number 720108000001, as well as the respective national deviations.

ÄNDERUNGEN VORBEHALTEN / SUBJECT TO ALTERATION

Ersatzteilliste  
Spare Parts List

NUR FÜR INTERNEN GEBRAUCH  
FOR INTERNAL USE ONLY

TV

10 / 2012

46 VLE 8221 BL

BESTELL-NR. / ORDER NO.: LEL000 (LEL)

POS. NR. POS. NO.	ABB. FIG.	MATERIAL-NR. PART NUMBER	ANZ. QTY.	BEZEICHNUNG (D)	DESCRIPTION (GB)
		LEL000		46 VLE 8221 BL PRODUKT CODE <b>LEL</b> KEIN E-TEIL	46 VLE 8221 BL PRODUCT CODE <b>LEL</b> NO SPARE PART
				<b>Hinweis:</b> Sollte in dieser Ersatzteilliste Ihr "Product Code" oder Ihre Display-Variante nicht aufgeführt sein, finden Sie eine aktualisierte Version auf dem GRUNDIG Service-Portal " <a href="http://service.grundig.de">http://service.grundig.de</a> ".	<b>Note:</b> If your "Product Code" or display variant is not mentioned in the spare parts list, please look for a current version at the GRUNDIG service portal " <a href="http://service.grundig.de">http://service.grundig.de</a> ".
001.000		759551655800		GEH.- VORDERTEIL SCHWARZ	FRONT CABINET BLACK
002.000		759551634700		RUECKWAND SCHWARZ	BACK COVER BLACK
003.000		759551673300		NETZKABEL ABDECKUNG SCHWARZ	POWER CORD COVER BLACK
004.000		759551696200		IR-LINSE	IR-LENS
005.000		759551627900		STANDFUSS SCHWARZ	STAND FOOT BLACK
006.000		759551694000		STANDFUSS SCHRAUBE SILBER M8X40	STANDFOOTScrew SILVER M8X40
007.000		759551626000		KNOPF PROG/ON-OFF SCHWARZ	KNOP PROG/ON-OFF SCHWARZ
008.000		759551654700		VESA RUECKWANDSCHRAUBE	VESA BACKCOVER SCREW
015.000		759551614100		LAUTSPRECHER 8 OHM 10/13,5 W 30x193	SPEAKER 8 OHM 10/13,5 W 30x193
018.000		759551622500		KABEL LVDS 51 P 600MM	CABLE LVDS 51 P 600MM
019.000		759551600400		KABEL DISPLAY-LVDS 500 MM	CABLE DISPLAY-LVDS 500 MM
020.000	△	056D46-SS15		LCD-DISPLAY LTA460HM06-Q04*1	LCD-DISPLAY LTA460HM06-Q04*1
020.000	△	056D46-SS15A		LCD-DISPLAY LTA460HM06-Q03*2	LCD-DISPLAY LTA460HM06-Q03*2
				KEIN ERSATZTEIL	NO SPARE PART
020.100	△	759551656000		T-CON MODUL (XYS)*1	T-CON BOARD (XYS)*1
020.200	△	759551623800		INVERTERMODUL (XZB)*1	INVERTERBOARD (XZB)*1
021.000		759551611500		INVERTERKABEL 230 MM	INVERTER CABLE 230 MM
022.000	△	759551343100		NETZKABEL 180CM	POWER CABLE 180CM
023.000	△	275990312800		LP-NETZTEILMOD.175W 2011 SLIM TV PSU	POWER BOARD 175W 2011 SLIM TV PSU
025.000	△	275991179200	X	CHASSISMODUL TP (LEL)*1	CHASSIS BOARD TP (LEL)*1
025.000	△	275991179300	X	CHASSISMODUL TP (BZN)*2	CHASSIS BOARD TP (BZN)*2
027.000		720117226300		FERNBEDIENUNG TP7	REMOTE CONTROL TP7
028.000		720117145300		FERNBEDIENUNG TP EASY SCHWARZ	REMOTE CONTROL TP EASY BLACK
029.000		759551649400		BEDIENMODUL (VSC)	KEYBOARD (VSC)
030.000		759551057800		TASTSCHALTER	KEY SWITCH
031.000		759551649500		IR/LED MODUL (VNR)	IR/LED BOARD (VNR)
032.000		759551544900		IR-EMPFAENGER TSOP35436TT	IR-RECEIVER TSOP35436TT
033.000		759551549100		LED-SMD 1206 BLAU 250MCD 3.3V	LED-SMD 1206 BLUE 250MCD 3.3V
090.000		759551693700		KARTON 46	CARTON 46
091.000		759551693600		POLSTER 4 TEILIG	CUSHION 4 PARTS
				DIE BEDIENUNGSANLEITUNG KOENNEN SIE IM INTERNET UNTER FOLGENDER ADRESSE ABRUFEN: WWW.GRUNDIG.DE MENU: DOWNLOADS	THE INSTRUCTION MANUAL CAN BE DOWNLOADED FROM THE INTERNET UNDER THE FOLLOWING ADDRESS: WWW.GRUNDIG.DE MENU: DOWNLOADS
		720100558000		SERVICE MANUAL D/GB	SERVICE MANUAL D/GB
		720100558200		SERVICE MANUAL D/GB 3. ERGAENZUNG	SERVICE MANUAL D/GB SUPPLEMENT 3
		720108000001		SICHERHEITSMANUAL D/GB/E/F/I	SAFETY SERVICE MANUAL D/GB/E/F/I
				X = SIEHE GESONDERTE E-LISTE	X = SEE SEPARATE PARTS LIST

Es gelten die Vorschriften und Sicherheitshinweise gemäß dem Service Manual "Sicherheit", Mat.-Nummer 720108000001, sowie zusätzlich die eventuell abweichenden, landesspezifischen Vorschriften!



The regulations and safety instructions shall be valid as provided by the "Safety" Service Manual, part number 720108000001, as well as the respective national deviations.

ÄNDERUNGEN VORBEHALTEN / SUBJECT TO ALTERATION

Ersatzteilliste  
Spare Parts List

NUR FÜR INTERNEN GEBRAUCH  
FOR INTERNAL USE ONLY

TV

4 / 2012

46 VLE 8270 BH

POS. NR. POS. NO.	ABB. FIG.	MATERIAL-NR. PART NUMBER	ANZ. QTY.	BEZEICHNUNG (D)	BESTELL-NR. / ORDER NO.: KSB000 (KSB)	DESCRIPTION (GB)	
		KSB000		46 VLE 8270 BH PRODUKT CODE <b>KSB</b> KEIN E-TEIL		46 VLE 8270 BH PRODUCT CODE <b>KSB</b> NO SPARE PART	
				<b>Hinweis:</b> Sollte in dieser Ersatzteilliste Ihr "Product Code" oder Ihre Display-Variante nicht aufgeführt sein, finden Sie eine aktualisierte Version auf dem GRUNDIG Service-Portal " <a href="http://service.grundig.de">http://service.grundig.de</a> ".	<b>Note:</b> If your "Product Code" or display variant is not mentioned in the spare parts list, please look for a current version at the GRUNDIG service portal " <a href="http://service.grundig.de">http://service.grundig.de</a> ".		
001.000		759551627700		GEH.- VORDERTEIL SCHWARZ		FRONT CABINET BLACK	
002.000		759551627800		RUECKWAND SCHWARZ		BACK COVER BLACK	
004.000		759551654700		VESA RUECKWANDSCHRAUBE		VESA BACKCOVER SCREW	
005.000		759551627900		STANDFUSS SCHWARZ		STAND FOOT BLACK	
007.000		759551626000		KNOPF PROG/ON-OFF SCHWARZ		KNOB PROG/ON-OFF SCHWARZ	
015.000		759551614100		LAUTSPRECHER 8R 10/13,5W 30x193		SPEAKER 8R 10/13,5W 30x193	
017.000		759551622400		LAUTSPR. WOOFER 16R 5/7W 71x71		SPEAKER WOOFER 16R 5/7W 71x71	
018.000		759551600400		KABEL DISPLAY-LVDS 500 MM		CABLE DISPLAY-LVDS 500 MM	
019.000		759551622600		KABEL LVDS 41 P 500MM		CABLE LVDS 41 P 500MM	
020.000	△	759551650800		LCD-DISPLAY SS LTA460HQ12-Q03		LCD-DISPLAY SS LTA460HQ12-Q03	
020.100	△	759551650900		T-CON MODUL (XYT)		T-CON BOARD (XYT)	
020.200	△	759551641100		INVERTERMODUL (XRF)		INVERTERMODUL (XRF)	
021.000	△	759551611500		INVERTERKABEL 230 MM		INVERTER CABLE 230 MM	
022.000	△	759551343100		NETZKABEL 180CM		POWER CABLE 180CM	
023.000	△	275990312800		NETZTEILMOD. 175W 2011 PSU		POWER BOARD 175W 2011 PSU	
025.000	△	275991164500	X	CHASSISMODUL TP (KSG)		CHASSIS BOARD TP (KSG)	
027.000		720117226300		FERNBEDIENUNG TP7		REMOTE CONTROL TP7	
028.000		720117145300		FERNBEDIENUNG TP EASY SCHWARZ		REMOTE CONTROL TP EASY BLACK	
029.000		759551649400		BEDIENMODUL (VSC)		KEYBOARD (VSC)	
030.000		759551057800		TASTSCHALTER		KEY SWITCH	
031.000		759551649500		IR/LED MODUL (VNR)		IR/LED BOARD (VNR)	
032.000		759551544900		IR-EMPFANGER TSOP35436TT		IR-RECEIVER TSOP35436TT	
033.000		759551549100		LED-SMD 1206 BLAU 250MCD 3.3V		LED-SMD 1206 BLUE 250MCD 3.3V	
034.000		759551650600		3D-EMITTER MODUL		3D-EMITTER BOARD	
038.000		759551649600		WIFI MODUL		WIFI BOARD	
090.000		759551620100		KARTON 46 LED		CARTON 46 LED	
091.000		759551634500		POLSTER OBEN		CUSHION TOP	
092.000		759551620200		POLSTER OBEN		CUSHION TOP	
093.000		759551620300		POLSTEN UNTEN		CUSHION BOTTOM	
094.000		759551634600		POLSTER UNTEN		CUSHION BOTTOM	
				DIE BEDIENUNGSANLEITUNG KOENNEN SIE IM INTERNET UNTER FOLGENDER ADRESSE ABRUFEN: WWW.GRUNDIG.DE MENU: DOWNLOADS	THE INSTRUCTION MANUAL CAN BE DOWNLOADED FROM THE INTERNET UNDER THE FOLLOWING ADDRESS: WWW.GRUNDIG.DE MENU: DOWNLOADS		
				720100558000 SERVICE MANUAL D/GB	SERVICE MANUAL D/GB		
				720100558200 SERVICE MANUAL D/GB 3. ERGAENZUNG	SERVICE MANUAL D/GB 3. ERGAENZUNG		
				720108000001 SICHERHEITSMANUAL D/GB/E/F/I	SAFETY SERVICE MANUAL D/GB/E/F/I		
				X = SIEHE GESONDERTE E-LISTE	X = SEE SEPARATE PARTS LIST		

Es gelten die Vorschriften und Sicherheitshinweise gemäß dem Service Manual "Sicherheit", Mat.-Nummer 720108000001, sowie zusätzlich die eventuell abweichenden, landesspezifischen Vorschriften!



The regulations and safety instructions shall be valid as provided by the "Safety" Service Manual, part number 720108000001, as well as the respective national deviations.

ÄNDERUNGEN VORBEHALTEN / SUBJECT TO ALTERATION

Ersatzteilliste  
Spare Parts List

NUR FÜR INTERNEN GEBRAUCH  
FOR INTERNAL USE ONLY

TV

9 / 2013

46 VLE 8270 BH

POS. NR. POS. NO.	ABB. FIG.	MATERIAL-NR. PART NUMBER	ANZ. QTY.	BEZEICHNUNG (D)	BESTELL-NR. / ORDER NO.: KSU000 (KSU)	DESCRIPTION (GB)	
		KSU000		46 VLE 8270 BH PRODUKT CODE <b>KSU</b> KEIN E-TEIL		46 VLE 8270 BH PRODUCT CODE <b>KSU</b> NO SPARE PART	
				<b>Hinweis:</b> Sollte in dieser Ersatzteilliste Ihr "Product Code" oder Ihre Display-Variante nicht aufgeführt sein, finden Sie eine aktualisierte Version auf dem GRUNDIG Service-Portal " <a href="http://service.grundig.de">http://service.grundig.de</a> ".	<b>Note:</b> If your "Product Code" or display variant is not mentioned in the spare parts list, please look for a current version at the GRUNDIG service portal " <a href="http://service.grundig.de">http://service.grundig.de</a> ".		
001.000		759551737000		GEH.- VORDERTEIL SCHWARZ		FRONT CABINET BLACK	
001.100		759551696200		IR-LINSE		IR-LENS	
002.000		759551627800		RUECKWAND SCHWARZ		BACK COVER BLACK	
003.000		759551673300		NETZKABEL ABDECKUNG SCHWARZ		POWER CORD COVER BLACK	
004.000		759551712400		VESA RUECKWANDSCHRAUBE SCHWARZ		VESA BACKCOVER SCREW BLACK	
005.000		759551627900		STANDFUSS SCHWARZ		STAND FOOT BLACK	
005.100		759551694000		STANDFUSS SCHRAUBE SILBER M8X40		STANDFOOTS CREW SILVER M8X40	
007.000		759551626000		KNOPF PROG/ON-OFF SCHWARZ		KNOB PROG/ON-OFF SCHWARZ	
015.000		759551622300		LAUTSPRECHER 8R 10/13,5W 193x30		SPEAKER 8R 10/13,5W 193x30	
017.000		759551725100		LAUTSPR. WOOFER 16R 5/7W 71x71		SUBWOOFER 16R 5/7W 71x71	
018.000		759551600400		KABEL DISPLAY-LVDS 500 MM		CABLE DISPLAY-LVDS 500 MM	
019.000		759551622600		KABEL LVDS 41 P 500MM		CABLE LVDS 41 P 500MM	
020.000	△	056K46-SS18		LCD-DISPLAY SS LTA460HJ19-L01/A01 KEIN E-TEIL		LCD-DISPLAY SS LTA460HJ19-L01/A01 NO SPARE PART	
020.100	△	759551740100		T-CON MODUL (XQH)		T-CON BOARD (XQH)	
020.200	△	759551740200		INVERTERMODUL (XQY)		INVERTERBOARD (XQY)	
021.000		759551611500		INVERTERKABEL 230 MM		INVERTER CABLE 230 MM	
022.000	△	759551672300		NETZKABEL 160CM		POWER CABLE 160CM	
023.000	△	275990318000		NETZTEIL 32D-LED PSU NSWITCH (ZGU)		POWER 32D-LED PSU NSWITCH (ZGU)	
025.000	△	275991198800	X	CHASSISMODUL TP (LTR)		CHASSIS BOARD TP (LTR)	
027.000		759551739700		FERNBEDIENUNG TP 7 VER. 2		REMOTE CONTROL TP 7 VER. 2	
028.000		720117145300		FERNBEDIENUNG TP EASY SCHWARZ		REMOTE CONTROL TP EASY BLACK	
029.000		759551649400		BEDIENMODUL (VSC)		KEYBOARD (VSC)	
030.000		759551057800		TASTSCHALTER		KEY SWITCH	
031.000		759551649500		IR/LED MODUL (VNR)		IR/LED BOARD (VNR)	
032.000		759551544900		IR-EMPFANGER TSOP35436TT		IR-RECEIVER TSOP35436TT	
033.000		759551726800		LED-SMD 1206 BLAU 112MCD 3.3V		LED-SMD 1206 BLUE 112MCD 3.3V	
034.000		759551624500		KABEL 6 PIN 1000 MM		CABLE 6 PIN 1000 MM	
035.000		759551737100		EMITTER MODUL (ZBX)		EMITTER BOARD (ZBX)	
038.000		759551649600		WIFI MODUL		WIFI BOARD	
090.000		759551693800		KARTON 46		CARTON 46	
091.000		759551693600		POLSTER 4 TEILIG		CUSHION 4 PARTS	
				DIE BEDIENUNGSANLEITUNG KOENNEN SIE IM INTERNET UNTER FOLGENDER ADRESSE ABRUFEN: WWW.GRUNDIG.DE MENU: DOWNLOADS	THE INSTRUCTION MANUAL CAN BE DOWNLOADED FROM THE INTERNET UNDER THE FOLLOWING ADDRESS: WWW.GRUNDIG.DE MENU: DOWNLOADS		
				720100558000 SERVICE MANUAL D/GB	SERVICE MANUAL D/GB		
				720100558200 SERVICE MANUAL D/GB 3. ERGAENZUNG	SERVICE MANUAL D/GB 3. ERGAENZUNG		
				720108000001 SICHERHEITSMANUAL D/GB/E/F/I	SAFETY SERVICE MANUAL D/GB/E/F/I		
				X = SIEHE GESONDERTE E-LISTE	X = SEE SEPARATE PARTS LIST		

Es gelten die Vorschriften und Sicherheitshinweise gemäß dem Service Manual "Sicherheit", Mat.-Nummer 720108000001, sowie zusätzlich die eventuell abweichenden, landesspezifischen Vorschriften!



The regulations and safety instructions shall be valid as provided by the "Safety" Service Manual, part number 720108000001, as well as the respective national deviations.

ÄNDERUNGEN VORBEHALTEN / SUBJECT TO ALTERATION

Ersatzteilliste  
Spare Parts List

NUR FÜR INTERNEN GEBRAUCH  
FOR INTERNAL USE ONLY

TV

3 / 2012

46 VLE 8270 BP

BESTELL-NR. / ORDER NO.: KSJ000 (KSJ)

POS. NR. POS. NO.	ABB. FIG.	MATERIAL-NR. PART NUMBER	ANZ. QTY.	BEZEICHNUNG D	DESCRIPTION GB
		KSJ000		46 VLE 8270 BP PRODUKTCODE KSJ KEIN E-TEIL	46 VLE 8270 BP PRODUCT CODE KSJ NO SPARE PART
				<b>Hinweis:</b> Sollte in dieser Ersatzteilliste Ihr "Product Code" oder Ihre Display-Variante nicht aufgeführt sein, finden Sie eine aktualisierte Version auf dem GRUNDIG Service-Portal <a href="http://service.grundig.de">"http://service.grundig.de"</a> .	<b>Note:</b> If your "Product Code" or display variant is not mentioned in the spare parts list, please look for a current version at the GRUNDIG service portal <a href="http://service.grundig.de">"http://service.grundig.de"</a> .
001.000		759551627700		GEH.- VORDERTEIL SCHWARZ	FRONT CABINET BLACK
002.000		759551634700		RUECKWAND SCHWARZ	BACK COVER BLACK
005.000		759551627900		STANDFUSS SCHWARZ	STAND FOOT BLACK
007.000		759551626000		KNOPF PROG/ON-OFF SCHWARZ	KNOB PROG/ON-OFF SCHWARZ
015.000		759551614100		LAUTSPRECHER 8R 10/13,5W 30x193	SPEAKER 8R 10/13,5W 30x193
017.000		759551622400		LAUTSPR. WOOFER 16R 5/7W 71x71	SPEAKER WOOFER 16R 5/7W 71x71
018.000		759551600400		KABEL DISPLAY-LVDS 500 MM	CABLE DISPLAY-LVDS 500 MM
019.000		759551622600		KABEL LVDS 41 P 500MM	CABLE LVDS 41 P 500MM
020.000	△	759551650800		LCD-DISPLAY SS LTA460HQ12-Q03	LCD-DISPLAY SS LTA460HQ12-Q03
020.100	△	759551650900		T-CON MODUL (XYT)	T-CON BOARD (XYT)
020.200	△	759551641100		INVERTERMODUL (XRF)	INVERTERBOARD (XRF)
021.000		759551611500		INVERTERKABEL 230 MM	INVERTER CABLE 230 MM
022.000	△	759551343100		NETZKABEL 180CM	POWER CABLE 180CM
023.000		275990312800		NETZTEILMOD. 175W 2011 PSU	POWER BOARD 175W 2011 PSU
025.000	△	275991166300	X	CHASSISMODUL TP (KSJ)	CHASSIS BOARD TP (KSJ)
027.000		720117226300		FERNBEDIENUNG TP7	REMOTE CONTROL TP7
028.000		720117145300		FERNBEDIENUNG TP EASY SCHWARZ	REMOTE CONTROL TP EASY BLACK
029.000		759551649400		BEDIENMODUL (VSC)	KEYBOARD (VSC)
030.000		759551057800		TASTSCHALTER	KEY SWITCH
031.000		759551649500		IR/LED MODUL (VNR)	IR/LED BOARD (VNR)
032.000		759551544900		IR-EMPFANGER TSOP35436TT	IR-RECEIVER TSOP35436TT
033.000		759551549100		LED-SMD 1206 BLAU 250MCD 3.3V	LED-SMD 1206 BLUE 250MCD 3.3V
034.000		759551650600		3D-EMITTER MODUL	3D-EMITTER BOARD
038.000		759551649600		WIFI MODUL	WIFI BOARD
090.000		759551620100		KARTON 46 LED	CARTON 46 LED
091.000		759551634500		POLSTER OBEN	CUSHION TOP
092.000		759551620200		POLSTER OBEN	CUSHION TOP
093.000		759551620300		POLSTEN UNTEN	CUSHION BOTTOM
094.000		759551634600		POLSTER UNTEN	CUSHION BOTTOM
				DIE BEDIENUNGSANLEITUNG KOENNEN SIE IM INTERNET UNTER FOLGENDER ADRESSE ABRUFEN: WWW.GRUNDIG.DE MENU: DOWNLOADS	THE INSTRUCTION MANUAL CAN BE DOWNLOADED FROM THE INTERNET UNDER THE FOLLOWING ADDRESS: WWW.GRUNDIG.DE MENU: DOWNLOADS
		720100558000		SERVICE MANUAL D/GB	SERVICE MANUAL D/GB
		720100558200		SERVICE MANUAL D/GB 3. ERGAENZUNG	SERVICE MANUAL D/GB SUPPLEMENT 3
		720108000001		SICHERHEITSMANUAL D/GB/E/F/I	SAFETY SERVICE MANUAL D/GB/E/F/I
				X = SIEHE GESONDERTE E-LISTE	X = SEE SEPARATE PARTS LIST

67

Es gelten die Vorschriften und Sicherheitshinweise gemäß dem Service Manual "Sicherheit", Mat.-Nummer 720108000001, sowie zusätzlich die eventuell abweichenden, landesspezifischen Vorschriften!



The regulations and safety instructions shall be valid as provided by the "Safety" Service Manual, part number 720108000001, as well as the respective national deviations.

ÄNDERUNGEN VORBEHALTEN / SUBJECT TO ALTERATION

Ersatzteilliste  
Spare Parts List

NUR FÜR INTERNEN GEBRAUCH  
FOR INTERNAL USE ONLY

TV

3 / 2012

46 VLE 8270 CP

BESTELL-NR. / ORDER NO.: KSM000 (KSM)

POS. NR. POS. NO.	ABB. FIG.	MATERIAL-NR. PART NUMBER	ANZ. QTY.	BEZEICHNUNG D	DESCRIPTION GB
		KSM000		46 VLE 8270 CP PRODUKTCODE KSM KEIN E-TEIL	46 VLE 8270 CP PRODUCT CODE KSM NO SPARE PART
				<b>Hinweis:</b> Sollte in dieser Ersatzteilliste Ihr "Product Code" oder Ihre Display-Variante nicht aufgeführt sein, finden Sie eine aktualisierte Version auf dem GRUNDIG Service-Portal <a href="http://service.grundig.de">"http://service.grundig.de"</a> .	<b>Note:</b> If your "Product Code" or display variant is not mentioned in the spare parts list, please look for a current version at the GRUNDIG service portal <a href="http://service.grundig.de">"http://service.grundig.de"</a> .
001.000		759551642400		GEH.- VORDERTEIL CHROM SILBER	FRONT CABINET CHROME SILVER
002.000		759551634300		RUECKWAND SILBER	BACK COVER SILVER
005.000		759551634400		STANDFUSS SILBER	STAND FOOT SILVER
007.000		759551633800		KNOPF PROG/ON-OFF SILBER	KNOB PROG/ON-OFF SILVER
015.000		759551614100		LAUTSPRECHER 8R 10/13,5W 30x193	SPEAKER 8R 10/13,5W 30x193
017.000		759551622400		LAUTSPR. WOOFER 16R 5/7W 71x71	SPEAKER WOOFER 16R 5/7W 71x71
018.000		759551600400		KABEL DISPLAY-LVDS 500 MM	CABLE DISPLAY-LVDS 500 MM
019.000		759551622600		KABEL LVDS 41 P 500MM	CABLE LVDS 41 P 500MM
020.000	△	759551650800		LCD-DISPLAY SS LTA460HQ12-Q03	LCD-DISPLAY SS LTA460HQ12-Q03
020.100	△	759551650900		T-CON MODUL (XYT)	T-CON BOARD (XYT)
020.200	△	759551641100		INVERTERMODUL (XRF)	INVERTERBOARD (XRF)
021.000		759551611500		INVERTERKABEL 230 MM	INVERTER CABLE 230 MM
022.000	△	759551343100		NETZKABEL 180CM	POWER CABLE 180CM
023.000		275990312800		NETZTEILMOD. 175W 2011 PSU	POWER BOARD 175W 2011 PSU
025.000	△	275991164800	X	CHASSISMODUL TP (KSE)	CHASSIS BOARD TP (KSE)
027.000		720117226300		FERNBEDIENUNG TP7	REMOTE CONTROL TP7
028.000		720117145400		FERNBEDIENUNG TP EASY WEISS	REMOTE CONTROL TP EASY WHITE
029.000		759551649400		BEDIENMODUL (VSC)	KEYBOARD (VSC)
030.000		759551057800		TASTSCHALTER	KEY SWITCH
031.000		759551649500		IR/LED MODUL (VNR)	IR/LED BOARD (VNR)
032.000		759551544900		IR-EMPFANGER TSOP35436TT	IR-RECEIVER TSOP35436TT
033.000		759551549100		LED-SMD 1206 BLAU 250MCD 3.3V	LED-SMD 1206 BLUE 250MCD 3.3V
034.000		759551650600		3D-EMITTER MODUL	3D-EMITTER BOARD
038.000		759551649600		WIFI MODUL	WIFI BOARD
090.000		759551620100		KARTON 46 LED	CARTON 46 LED
091.000		759551634500		POLSTER OBEN	CUSHION TOP
092.000		759551620200		POLSTER OBEN	CUSHION TOP
093.000		759551620300		POLSTEN UNTEN	CUSHION BOTTOM
094.000		759551634600		POLSTER UNTEN	CUSHION BOTTOM
				DIE BEDIENUNGSANLEITUNG KOENNEN SIE IM INTERNET UNTER FOLGENDER ADRESSE ABRUFEN: WWW.GRUNDIG.DE MENU: DOWNLOADS	THE INSTRUCTION MANUAL CAN BE DOWNLOADED FROM THE INTERNET UNDER THE FOLLOWING ADDRESS: WWW.GRUNDIG.DE MENU: DOWNLOADS
		720100558000		SERVICE MANUAL D/GB	SERVICE MANUAL D/GB
		720100558200		SERVICE MANUAL D/GB 3. ERGAENZUNG	SERVICE MANUAL D/GB SUPPLEMENT 3
		720108000001		SICHERHEITSMANUAL D/GB/E/F/I	SAFETY SERVICE MANUAL D/GB/E/F/I
				X = SIEHE GESONDERTE E-LISTE	X = SEE SEPARATE PARTS LIST

Es gelten die Vorschriften und Sicherheitshinweise gemäß dem Service Manual "Sicherheit", Mat.-Nummer 720108000001, sowie zusätzlich die eventuell abweichenden, landesspezifischen Vorschriften!



The regulations and safety instructions shall be valid as provided by the "Safety" Service Manual, part number 720108000001, as well as the respective national deviations.

ÄNDERUNGEN VORBEHALTEN / SUBJECT TO ALTERATION

Ersatzteilliste  
Spare Parts List

NUR FÜR INTERNEN GEBRAUCH  
FOR INTERNAL USE ONLY

TV

4 / 2012

46 VLE 8270 WP

POS. NR. POS. NO.	ABB. FIG.	MATERIAL-NR. PART NUMBER	ANZ. QTY.	BEZEICHNUNG (D)	BESTELL-NR. / ORDER NO.: KSQ000 (KSQ)	DESCRIPTION (GB)			
		KSQ000		46 VLE 8270 WP PRODUKT CODE <b>KSQ</b> KEIN E-TEIL	46 VLE 8270 WP PRODUCT CODE <b>KSQ</b> NO SPARE PART				
				<b>Hinweis:</b> Sollte in dieser Ersatzteilliste Ihr "Product Code" oder Ihre Display-Variante nicht aufgeführt sein, finden Sie eine aktualisierte Version auf dem GRUNDIG Service-Portal " <a href="http://service.grundig.de">http://service.grundig.de</a> ".	<b>Note:</b> If your "Product Code" or display variant is not mentioned in the spare parts list, please look for a current version at the GRUNDIG service portal " <a href="http://service.grundig.de">http://service.grundig.de</a> ".				
001.000		759551650400		GEH.- VORDERTEIL WEISS	FRONT CABINET WHITE	001.000	759551669600	GEH.- VORDERTEIL SCHWARZ	FRONT CABINET BLACK
002.000		759551650500		RUECKWAND WEISS	BACK COVER WHITE	002.000	759551694600	IR-LINSE	IR-LENS
004.000		759551657900		VESA RUECKWANDSCHRAUBE SILBER	VESA BACKCOVER SCREW SILVER	002.000	759551692200	RUECKWAND SCHWARZ	BACK COVER BLACK
005.000		759551648200		STANDFUSS WEISS	STAND FOOT WHITE	003.000	759551673300	NETZKABEL ABDECKUNG SCHWARZ	POWER CORD COVER BLACK
007.000		759551635400		KNOPF PROG/ON-OFF WEISS	KNOB PROG/ON-OFF WHITE	005.000	759551669800	STANDFUSS SCHWARZ	STAND FOOT BLACK
015.000		759551614100		LAUTSPRECHER 8R 10/13,5W 30x193	SPEAKER 8R 10/13,5W 30x193	005.000	759551703800	STANDFUSSHALTERUNG 42, 47, 50, 55	STANDFOOT HOLDER 42, 47, 50, 55
017.000		759551622400		LAUTSPR. WOOFER 16R 5/7W 71x71	SPEAKER WOOFER 16R 5/7W 71x71	006.000	759551704000	STANDFUSS ZWISCHENSTUECK SCHWARZ	STANDFOOT MIDDLEPART BLACK
018.000		759551600400		KABEL DISPLAY-LVDS 500 MM	CABLE DISPLAY-LVDS 500 MM	007.000	759551626000	KNOPF PROG/ON-OFF SCHWARZ	KNOB PROG/ON-OFF SCHWARZ
019.000		759551622600		KABEL LVDS 41 P 500MM	CABLE LVDS 41 P 500MM	015.000	759551669900	LAUTSPRECHER LINKS 15/20 W	SPEAKER LEFT 15/20W
020.000	△	759551650800		LCD-DISPLAY SS LTA460HQ12-Q03	LCD-DISPLAY SS LTA460HQ12-Q03	016.000	759551670000	LAUTSPRECHER RECHTS 15/20 W	SPEAKER RIGHT 15/20W
020.100	△	759551650900		T-CON MODUL (XYT)	T-CON BOARD (XYT)	017.000	759551702000	LAUTSPR. WOOFER KPL. 10W	SPEAKER WOOFER CPL. 10W
020.200	△	759551641100		INVERTERMODUL (XRF)	INVERTERBOARD (XRF)	019.000	759551465100	KABEL DISPLAY-LVDS 400MM	CABLE DISPLAY-LVDS 400MM
021.000	△	759551611500		INVERTERKABEL 230 MM	INVERTER CABLE 230 MM	020.000	△ 056K55-LP2	LCD-DISPLAY LC550EUD-SEF3*1	LCD-DISPLAY LC550EUD-SEF3*1
022.000	△	759551343100		NETZKABEL 180CM	POWER CABLE 180CM	020.000	△ 056K55-LP2P	LCD-DISPLAY LC550EUD-SEF3*2	LCD-DISPLAY LC550EUD-SEF3*2
023.000	△	275990312800		NETZTEILMOD. 175W 2011 PSU	POWER BOARD 175W 2011 PSU			KEIN ERSATZTEIL	NO SPARE PART
025.000	△	275991166300	X	CHASSISMODUL TP (KSJ)	CHASSIS BOARD TP (KSJ)	020.100	△ 759551671000	T-CON MODUL (XZE)*1	T-CON BOARD (XZE)*1
027.000		720117226300		FERNBEDIENUNG TP7	REMOTE CONTROL TP7	020.100	△ 759551671000	T-CON MODUL (XZT)*2	T-CON BOARD (XZT)*2
028.000		720117145400		FERNBEDIENUNG TP EASY WEISS	REMOTE CONTROL TP EASY WHITE	020.200	△ 759551671100	INVERTERMODUL (XRU)	INVERTERBOARD (XRU)
029.000		759551649400		BEDIENMODUL (VSC)	KEYBOARD (VSC)	021.000	759551611500	INVERTERKABEL 230 MM	INVERTER CABLE 230 MM
030.000		759551057800		TASTSCHALTER	KEY SWITCH	022.000	△ 759551343100	NETZKABEL 180CM	POWER CABLE 180CM
031.000		759551649500		IR/LED MODUL (VNR)	IR/LED BOARD (VNR)	023.000	△ 275990314800	NETZTEILMOD. 219W SLIM TV	POWER BOARD 219W SLIM TV
032.000		759551544900		IR-EMPFANGER TSOP35436TT	IR-RECEIVER TSOP35436TT	025.000	△ 275991177100	CHASSISMODUL TP (KWW)*1	CHASSIS BOARD TP (KWW)*1
033.000		759551549100		LED-SMD 1206 BLAU 250MCD 3.3V	LED-SMD 1206 BLUE 250MCD 3.3V	025.000	△ 275991186300	CHASSISMODUL TP (KXS)*2	CHASSIS BOARD TP (KXS)*2
034.000		759551650600		3D-EMITTER MODUL	3D-EMITTER BOARD	027.000	720117226300	FERNBEDIENUNG TP7	REMOTE CONTROL TP7
038.000		759551649600		WIFI MODUL	WIFI BOARD	028.000	720117145300	FERNBEDIENUNG TP EASY SCHWARZ	REMOTE CONTROL TP EASY BLACK
090.000		759551620100		KARTON 46 LED	CARTON 46 LED	029.000	759551649400	BEDIENMODUL (VSC)	KEYBOARD (VSC)
091.000		759551634500		POLSTER OBEN	CUSHION TOP	030.000	759551057800	TASTSCHALTER	KEY SWITCH
092.000		759551620200		POLSTER OBEN	CUSHION TOP	031.000	759551670300	IR/LED MODUL (VVA)	IR/LED BOARD (VVA)
093.000		759551620300		POLSTEN UNTEN	CUSHION BOTTOM	032.000	759551670400	IR-EMPFANGER TSOP85438AP5	IR RECEIVER TSOP85438AP5
094.000		759551634600		POLSTER UNTEN	CUSHION BOTTOM	033.000	759551549100	LED-SMD 1206 BLAU 250MCD 3.3V	LED-SMD 1206 BLUE 250MCD 3.3V
				DIE BEDIENUNGSANLEITUNG KOENNEN SIE IM INTERNET UNTER FOLGENDER ADRESSE ABRUFEN: WWW.GRUNDIG.DE MENU: DOWNLOADS	THE INSTRUCTION MANUAL CAN BE DOWNLOADED FROM THE INTERNET UNDER THE FOLLOWING ADDRESS: WWW.GRUNDIG.DE MENU: DOWNLOADS	090.000	759551687700	KARTON 55	CARTON 55
						091.000	759551687800	POLSTER 6 TEILIG	CUSHION 6 PARTS
								DIE BEDIENUNGSANLEITUNG KOENNEN SIE IM INTERNET UNTER FOLGENDER ADRESSE ABRUFEN: WWW.GRUNDIG.DE MENU: DOWNLOADS	THE INSTRUCTION MANUAL CAN BE DOWNLOADED FROM THE INTERNET UNDER THE FOLLOWING ADDRESS: WWW.GRUNDIG.DE MENU: DOWNLOADS
		720100558000		SERVICE MANUAL D/GB	SERVICE MANUAL D/GB		720100558000	SERVICE MANUAL D/GB	SERVICE MANUAL D/GB
		720100558200		SERVICE MANUAL D/GB 3. ERGAENZUNG	SERVICE MANUAL D/GB SUPPLEMENT 3		720100558200	SERVICE MANUAL D/GB 3. ERGAENZUNG	SERVICE MANUAL D/GB SUPPLEMENT 3
		720108000001		SICHERHEITSMANUAL D/GB/E/F/I	SAFETY SERVICE MANUAL D/GB/E/F/I		720108000001	SICHERHEITSMANUAL D/GB/E/F/I	SAFETY SERVICE MANUAL D/GB/E/F/I
				X = SIEHE GESONDERTE E-LISTE	X = SEE SEPARATE PARTS LIST			X = SIEHE GESONDERTE E-LISTE	X = SEE SEPARATE PARTS LIST

Es gelten die Vorschriften und Sicherheitshinweise gemäß dem Service Manual "Sicherheit", Mat.-Nummer 720108000001, sowie zusätzlich die eventuell abweichenden, landesspezifischen Vorschriften!



The regulations and safety instructions shall be valid as provided by the "Safety" Service Manual, part number 720108000001, as well as the respective national deviations.

ÄNDERUNGEN VORBEHALTEN / SUBJECT TO ALTERATION

Ersatzteilliste  
Spare Parts List

NUR FÜR INTERNEN GEBRAUCH  
FOR INTERNAL USE ONLY

TV

1 / 2013

55 VLE 9270 BH

POS. NR. POS. NO.	ABB. FIG.	MATERIAL-NR. PART NUMBER	ANZ. QTY.	BEZEICHNUNG (D)	BESTELL-NR. / ORDER NO.: KWW000 (KWW)	DESCRIPTION (GB)			
		KWW000		55 VLE 9270 BH PRODUKT CODE <b>KWW</b> KEIN E-TEIL	55 VLE 9270 BH PRODUCT CODE <b>KWW</b> NO SPARE PART				
				<b>Hinweis:</b> Sollte in dieser Ersatzteilliste Ihr "Product Code" oder Ihre Display-Variante nicht aufgeführt sein, finden Sie eine aktualisierte Version auf dem GRUNDIG Service-Portal " <a href="http://service.grundig.de">http://service.grundig.de</a> ".	<b>Note:</b> If your "Product Code" or display variant is not mentioned in the spare parts list, please look for a current version at the GRUNDIG service portal " <a href="http://service.grundig.de">http://service.grundig.de</a> ".				
001.000		759551669600		GEH.- VORDERTEIL SCHWARZ	FRONT CABINET BLACK	001.000	759551669600	GEH.- VORDERTEIL SCHWARZ	FRONT CABINET BLACK
002.000		759551692200		RUECKWAND SCHWARZ	BACK COVER BLACK	002.000	759551692200	RUECKWAND SCHWARZ	BACK COVER BLACK
003.000		759551673300		NETZKABEL ABDECKUNG SCHWARZ	POWER CORD COVER BLACK	003.000	759551673300	NETZKABEL ABDECKUNG SCHWARZ	POWER CORD COVER BLACK
005.000		759551669800		STANDFUSS SCHWARZ	STAND FOOT BLACK	005.000	759551669800	STANDFUSS SCHWARZ	STAND FOOT BLACK
005.000		759551703800		STANDFUSSHALTERUNG 42, 47, 50, 55	STANDFOOT HOLDER 42, 47, 50, 55	005.000	759551703800	STANDFUSSHALTERUNG 42, 47, 50, 55	STANDFOOT HOLDER 42, 47, 50, 55
006.000		759551704000		STANDFUSS ZWISCHENSTUECK SCHWARZ	STANDFOOT MIDDLEPART BLACK	006.000	759551704000	STANDFUSS ZWISCHENSTUECK SCHWARZ	STANDFOOT MIDDLEPART BLACK
007.000		759551626000		KNOPF PROG/ON-OFF SCHWARZ	KNOB PROG/ON-OFF SCHWARZ	007.000	759551626000	KNOPF PROG/ON-OFF SCHWARZ	KNOB PROG/ON-OFF SCHWARZ
015.000		759551669900		LAUTSPRECHER LINKS 15/20 W	SPEAKER LEFT 15/20W	015.000	759551669900	LAUTSPRECHER LINKS 15/20 W	SPEAKER LEFT 15/20W
016.000		759551670000		LAUTSPRECHER RECHTS 15/20 W	SPEAKER RIGHT 15/20W	016.000	759551670000	LAUTSPRECHER RECHTS 15/20 W	SPEAKER RIGHT 15/20W
017.000		759551702000		LAUTSPR. WOOFER KPL. 10W	SPEAKER WOOFER CPL. 10W	017.000	759551702000	LAUTSPR. WOOFER KPL. 10W	SPEAKER WOOFER CPL. 10W
019.000		759551465100		KABEL DISPLAY-LVDS 400MM	CABLE DISPLAY-LVDS 400MM	019.000	759551465100	KABEL DISPLAY-LVDS 400MM	CABLE DISPLAY-LVDS 400MM
020.000	△	056K55-LP2		LCD-DISPLAY LC550EUD-SEF3*1	LCD-DISPLAY LC550EUD-SEF3*1	020.000	△ 056K55-LP2	LCD-DISPLAY LC550EUD-SEF3*1	LCD-DISPLAY LC550EUD-SEF3*1
020.000	△	056K55-LP2P		LCD-DISPLAY LC550EUD-SEF3*2	LCD-DISPLAY LC550EUD-SEF3*2	020.000	△ 056K55-LP2P	LCD-DISPLAY LC550EUD-SEF3*2	LCD-DISPLAY LC550EUD-SEF3*2
				KEIN ERSATZTEIL	NO SPARE PART			KEIN ERSATZTEIL	NO SPARE PART
020.100	△	759551671000		T-CON MODUL (XZE)*1	T-CON BOARD (XZE)*1	020.100	△ 759551671000	T-CON MODUL (XZE)*1	T-CON BOARD (XZE)*1
020.100	△	759551671000		T-CON MODUL (XZT)*2	T-CON BOARD (XZT)*2	020.100	△ 759551671000	T-CON MODUL (XZT)*2	T-CON BOARD (XZT)*2
020.200	△	759551671100		INVERTERMODUL (XRU)	INVERTERBOARD (XRU)	020.200	△ 759551671100	INVERTERMODUL (XRU)	INVERTERBOARD (XRU)
021.000		759551611500		INVERTERKABEL 230 MM	INVERTER CABLE 230 MM	021.000	759551611500	INVERTERKABEL 230 MM	INVERTER CABLE 230 MM
022.000	△	759551343100		NETZKABEL 180CM	POWER CABLE 180CM	022.000	△ 759551343100	NETZKABEL 180CM	POWER CABLE 180CM
023.000	△	275990314800		NETZTEILMOD. 219W SLIM TV	POWER BOARD 219W SLIM TV	023.000	△ 275990314800	NETZTEILMOD. 219W SLIM TV	POWER BOARD 219W SLIM TV
025.000	△	275991177100	X	CHASSISMODUL TP (KWW)*1	CHASSIS BOARD TP (KWW)*1	025.000	△ 275991177100	CHASSISMODUL TP (KWW)*1	CHASSIS BOARD TP (KWW)*1
025.000	△	275991186300	X	CHASSISMODUL TP (KXS)*2	CHASSIS BOARD TP (KXS)*2	025.000	△ 275991186300	CHASSISMODUL TP (KXS)*2	CHASSIS BOARD TP (KXS)*2
027.000		720117226300		FERNBEDIENUNG TP7	REMOTE CONTROL TP7	027.000	720117226300	FERNBEDIENUNG TP7	REMOTE CONTROL TP7
028.000		720117145300		FERNBEDIENUNG TP EASY SCHWARZ	REMOTE CONTROL TP EASY BLACK	028.000	720117145300	FERNBEDIENUNG TP EASY SCHWARZ	REMOTE CONTROL TP EASY BLACK
029.000		759551649400		BEDIENMODUL (VSC)	KEYBOARD (VSC)	029.000	759551649400	BEDIENMODUL (VSC)	KEYBOARD (VSC)
030.000		759551057800		TASTSCHALTER	KEY SWITCH	030.000	759551057800	TASTSCHALTER	KEY SWITCH
031.000		759551670300		IR/LED MODUL (VVA)	IR/LED BOARD (VVA)	031.000	759551670300	IR/LED MODUL (VVA)	IR/LED BOARD (VVA)
032.000		759551670400		IR-EMPFANGER TSOP85438AP5	IR RECEIVER TSOP85438AP5	032.000	759551670400	IR-EMPFANGER TSOP85438AP5	IR RECEIVER TSOP85438AP5
033.000		759551549100		LED-SMD 1206 BLAU 250MCD 3.3V	LED-SMD 1206 BLUE 250MCD 3.3V	033.000	759551549100	LED-SMD 1206 BLAU 250MCD 3.3V	LED-SMD 1206 BLUE 250MCD 3.3V
090.000		759551687700		KARTON 55	CARTON 55	090.000	759551687700	KARTON 55	CARTON 55
091.000		759551687800		POLSTER 6 TEILIG	CUSHION 6 PARTS	091.000	759551687800	POLSTER 6 TEILIG	CUSHION 6 PARTS
				DIE BEDIENUNGSANLEITUNG KOENNEN SIE IM INTERNET UNTER FOLGENDER ADRESSE ABRUFEN: WWW.GRUNDIG.DE MENU: DOWNLOADS	THE INSTRUCTION MANUAL CAN BE DOWNLOADED FROM THE INTERNET UNDER THE FOLLOWING ADDRESS: WWW.GRUNDIG.DE MENU: DOWNLOADS			DIE BEDIENUNGSANLEITUNG KOENNEN SIE IM INTERNET UNTER FOLGENDER ADRESSE ABRUFEN: WWW.GRUNDIG.DE MENU: DOWNLOADS	THE INSTRUCTION MANUAL CAN BE DOWNLOADED FROM THE INTERNET UNDER THE FOLLOWING ADDRESS: WWW.GRUNDIG.DE MENU: DOWNLOADS
		720100558000		SERVICE MANUAL D/GB	SERVICE MANUAL D/GB		720100558000	SERVICE MANUAL D/GB	SERVICE MANUAL D/GB
		720100558200		SERVICE MANUAL D/GB 3. ERGAENZUNG	SERVICE MANUAL D/GB SUPPLEMENT 3		720100558200	SERVICE MANUAL D/GB 3. ERGAENZUNG	SERVICE MANUAL D/GB SUPPLEMENT 3
		720108000001		SICHERHEITSMANUAL D/GB/E/F/I	SAFETY SERVICE MANUAL D/GB/E/F/I		720108000001	SICHERHEITSMANUAL D/GB/E/F/I	SAFETY SERVICE MANUAL D/GB/E/F/I
				X = SIEHE GESONDERTE E-LISTE	X = SEE SEPARATE PARTS LIST			X = SIEHE GESONDERTE E-LISTE	X = SEE SEPARATE PARTS LIST

Es gelten die Vorschriften und Sicherheitshinweise gemäß dem Service Manual "Sicherheit", Mat.-Nummer 720108000001, sowie zusätzlich die eventuell abweichenden, landesspezifischen Vorschriften!



The regulations and safety instructions shall be valid as provided by the "Safety" Service Manual, part number 720108000001, as well as the respective national deviations.

ÄNDERUNGEN VORBEHALTEN / SUBJECT TO ALTERATION

Ersatzteilliste  
Spare Parts List

NUR FÜR INTERNEN GEBRAUCH  
FOR INTERNAL USE ONLY

TV

9 / 2012

55 VLE 9270 BH

POS. NR. POS. NO.	ABB. FIG.	MATERIAL-NR. PART NUMBER	ANZ. QTY.	BEZEICHNUNG (D)	BESTELL-NR. / ORDER NO.: KXS000 (KXS)	DESCRIPTION (GB)			
		KXS000		55 VLE 9270 BH PRODUKTCODE KXS KEIN E-TEIL	55 VLE 9270 BH PRODUCT CODE KXS NO SPARE PART				
				<b>Hinweis:</b> Sollte in dieser Ersatzteilliste Ihr "Product Code" oder Ihre Display-Variante nicht aufgeführt sein, finden Sie eine aktualisierte Version auf dem GRUNDIG Service-Portal <a href="http://service.grundig.de">"http://service.grundig.de"</a> .	<b>Note:</b> If your "Product Code" or display variant is not mentioned in the spare parts list, please look for a current version at the GRUNDIG service portal <a href="http://service.grundig.de">"http://service.grundig.de"</a> .				
001.000		759551669600		GEH.- VORDERTEIL SCHWARZ	FRONT CABINET BLACK	001.000	759551669600	GEH.- VORDERTEIL SCHWARZ	FRONT CABINET BLACK
002.000		759551692200		RUECKWAND SCHWARZ	BACK COVER BLACK	002.000	759551669700	RUECKWAND SCHWARZ	BACK COVER BLACK
003.000		759551673300		NETZKABEL ABDECKUNG SCHWARZ	POWER CORD COVER BLACK	003.000	759551673300	NETZKABEL ABDECKUNG SCHWARZ	POWER CORD COVER BLACK
005.000		759551669800		STANDFUSS SCHWARZ	STAND FOOT BLACK	005.000	759551669800	STANDFUSS SCHWARZ	STAND FOOT BLACK
007.000		759551626000		KNOPF PROG/ON-OFF SCHWARZ	KNOB PROG/ON-OFF SCHWARZ	007.000	759551626000	KNOPF PROG/ON-OFF SCHWARZ	KNOB PROG/ON-OFF SCHWARZ
015.000		759551669900		LAUTSPRECHER LINKS 15/20 W	SPEAKER LEFT 15/20W	015.000	759551669900	LAUTSPRECHER LINKS 15/20 W	SPEAKER LEFT 15/20W
016.000		759551670000		LAUTSPRECHER RECHTS 15/20 W	SPEAKER RIGHT 15/20W	016.000	759551670000	LAUTSPRECHER RECHTS 15/20 W	SPEAKER RIGHT 15/20W
019.000		759551465100		KABEL DISPLAY-LVDS 400MM	CABLE DISPLAY-LVDS 400MM	019.000	759551465100	KABEL DISPLAY-LVDS 400MM	CABLE DISPLAY-LVDS 400MM
020.000	△	056K55-LP2		LCD-DISPLAY LC550EUD-SEF3 TM200 3D KEIN ERSATZTEIL	LCD-DISPLAY LC550EUD-SEF3 TM200 3D NO SPARE PART	020.000	△ 056K55-LP2	LCD-DISPLAY LC550EUD-SEF3 *1 LCD-DISPLAY LC550EUD-SEF3 *2 KEIN ERSATZTEIL	LCD-DISPLAY LC550EUD-SEF3 *1 LCD-DISPLAY LC550EUD-SEF3 *2 NO SPARE PART
020.100	△	759551671000		T-CON MODUL (XZE)	T-CON BOARD (XZE)	020.100	△	T-CON MODUL (XZE)*1	T-CON BOARD (XZE)*1
020.200	△	759551671100		INVERTERMODUL (XRU)	INVERTERBOARD (XRU)	020.100	△	T-CON MODUL (XZT)*2	T-CON BOARD (XZT)*2
021.000	△	759551611500		INVERTERKABEL 230 MM	INVERTER CABLE 230 MM	020.200	△	INVERTERMODUL (XRU)	INVERTERBOARD (XRU)
022.000	△	759551343100		NETZKABEL 180CM	POWER CABLE 180CM	020.200	△	INVERTERKABEL 230 MM	INVERTER CABLE 230 MM
023.000	△	275990314000		NETZTEILMOD. 219W REWORK	POWER BOARD 219W REWORK	021.000	△	NETZKABEL 180CM	POWER CABLE 180CM
025.000	△	275991177100	X	CHASSISMODUL TP (KWW)	CHASSIS BOARD TP (KWW)	022.000	△	NETZTEILMOD. 219W REWORK*1	POWER BOARD 219W REWORK*1
027.000		720117226300		FERNBEDIENUNG TP7	REMOTE CONTROL TP7	023.000	△	NETZTEILMOD. 219W SLIM TV*2	POWER BOARD 219W SLIM TV*2
028.000		720117145300		FERNBEDIENUNG TP EASY SCHWARZ	REMOTE CONTROL TP EASY BLACK	023.000	△	CHASSISMODUL TP (LCL)*1	CHASSIS BOARD TP (LCL)*1
029.000		759551649400		BEDIENMODUL (VSC)	KEYBOARD (VSC)	025.000	△	CHASSISMODUL TP (CMC)*2	CHASSIS BOARD TP (CMC)*2
030.000		759551057800		TASTSCHALTER	KEY SWITCH	025.000	△	FERNBEDIENUNG TP7	REMOTE CONTROL TP7
031.000		759551670300		IR/LED MODUL (VVA)	IR/LED BOARD (VVA)	027.000		FERNBEDIENUNG TP EASY SCHWARZ	REMOTE CONTROL TP EASY BLACK
032.000		759551670400		IR-EMPFÄNGER TSOP85438AP5	IR RECEIVER TSOP85438AP5	028.000		BEDIENMODUL (VSC)	KEYBOARD (VSC)
033.000		759551549100		LED-SMD 1206 BLAU 250MCD 3.3V	LED-SMD 1206 BLUE 250MCD 3.3V	029.000		KEY SWITCH	KEY SWITCH
090.000		759551687700		KARTON 55	CARTON 55	030.000		IR/LED MODUL (VVA)	IR/LED BOARD (VVA)
091.000		759551687800		POLSTER 6 TEILIG	CUSHION 6 PARTS	031.000		IR-EMPFÄNGER TSOP85438AP5	IR RECEIVER TSOP85438AP5
				DIE BEDIENUNGSANLEITUNG KOENNEN SIE IM INTERNET UNTER FOLGENDER ADRESSE ABRUFEN: WWW.GRUNDIG.DE MENU: DOWNLOADS	THE INSTRUCTION MANUAL CAN BE DOWNLOADED FROM THE INTERNET UNDER THE FOLLOWING ADDRESS: WWW.GRUNDIG.DE MENU: DOWNLOADS	032.000		LED-SMD 1206 BLAU 250MCD 3.3V	LED-SMD 1206 BLUE 250MCD 3.3V
		720100558000		SERVICE MANUAL D/GB	SERVICE MANUAL D/GB	033.000		KARTON 55	CARTON 55
		720100558200		SERVICE MANUAL D/GB 3. ERGAENZUNG	SERVICE MANUAL D/GB SUPPLEMENT 3	090.000		POLSTER 6 TEILIG	CUSHION 6 PARTS
		720108000001		SICHERHEITSMANUAL D/GB/E/F/I	SAFETY SERVICE MANUAL D/GB/E/F/I	091.000		DIE BEDIENUNGSANLEITUNG KOENNEN SIE IM INTERNET UNTER FOLGENDER ADRESSE ABRUFEN: WWW.GRUNDIG.DE MENU: DOWNLOADS	THE INSTRUCTION MANUAL CAN BE DOWNLOADED FROM THE INTERNET UNDER THE FOLLOWING ADDRESS: WWW.GRUNDIG.DE MENU: DOWNLOADS
			X = SIEHE GESONDERTE E-LISTE	X = SIEHE GESONDERTE E-LISTE				SERVICE MANUAL D/GB	SERVICE MANUAL D/GB
								SERVICE MANUAL D/GB 3. ERGAENZUNG	SERVICE MANUAL D/GB SUPPLEMENT 3
								SICHERHEITSMANUAL D/GB/E/F/I	SAFETY SERVICE MANUAL D/GB/E/F/I

69

Es gelten die Vorschriften und Sicherheitshinweise gemäß dem Service Manual "Sicherheit", Mat.-Nummer 720108000001, sowie zusätzlich die eventuell abweichenden, landesspezifischen Vorschriften!



The regulations and safety instructions shall be valid as provided by the "Safety" Service Manual, part number 720108000001, as well as the respective national deviations.

ÄNDERUNGEN VORBEHALTEN / SUBJECT TO ALTERATION

Ersatzteilliste  
Spare Parts List

NUR FÜR INTERNEN GEBRAUCH  
FOR INTERNAL USE ONLY

TV

9 / 2012

55 VLE 9270 BL

POS. NR. POS. NO.	ABB. FIG.	MATERIAL-NR. PART NUMBER	ANZ. QTY.	BEZEICHNUNG (D)	BESTELL-NR. / ORDER NO.: LCL000 (LCL)	DESCRIPTION (GB)			
		LCL000		55 VLE 9270 BL PRODUKTCODE LCL KEIN E-TEIL	55 VLE 9270 BL PRODUCT CODE LCL NO SPARE PART				
				<b>Hinweis:</b> Sollte in dieser Ersatzteilliste Ihr "Product Code" oder Ihre Display-Variante nicht aufgeführt sein, finden Sie eine aktualisierte Version auf dem GRUNDIG Service-Portal <a href="http://service.grundig.de">"http://service.grundig.de"</a> .	<b>Note:</b> If your "Product Code" or display variant is not mentioned in the spare parts list, please look for a current version at the GRUNDIG service portal <a href="http://service.grundig.de">"http://service.grundig.de"</a> .				
001.000		759551669600		GEH.- VORDERTEIL SCHWARZ	FRONT CABINET BLACK	001.000	759551669600	GEH.- VORDERTEIL SCHWARZ	FRONT CABINET BLACK
002.000		759551669700		RUECKWAND SCHWARZ	BACK COVER BLACK	002.000	759551669700	RUECKWAND SCHWARZ	BACK COVER BLACK
003.000		759551673300		NETZKABEL ABDECKUNG SCHWARZ	POWER CORD COVER BLACK	003.000	759551673300	NETZKABEL ABDECKUNG SCHWARZ	POWER CORD COVER BLACK
005.000		759551669800		STANDFUSS SCHWARZ	STAND FOOT BLACK	005.000	759551669800	STANDFUSS SCHWARZ	STAND FOOT BLACK
007.000		759551626000		KNOPF PROG/ON-OFF SCHWARZ	KNOB PROG/ON-OFF SCHWARZ	007.000	759551626000	KNOPF PROG/ON-OFF SCHWARZ	KNOB PROG/ON-OFF SCHWARZ
015.000		759551669900		LAUTSPRECHER LINKS 15/20 W	SPEAKER LEFT 15/20W	015.000	759551669900	LAUTSPRECHER LINKS 15/20 W	SPEAKER LEFT 15/20W
016.000		759551670000		LAUTSPRECHER RECHTS 15/20 W	SPEAKER RIGHT 15/20W	016.000	759551670000	LAUTSPRECHER RECHTS 15/20 W	SPEAKER RIGHT 15/20W
019.000		759551465100		KABEL DISPLAY-LVDS 400MM	CABLE DISPLAY-LVDS 400MM	019.000	759551465100	KABEL DISPLAY-LVDS 400MM	CABLE DISPLAY-LVDS 400MM
020.000	△	056K55-LP2		LCD-DISPLAY LC550EUD-SEF3 *1	LCD-DISPLAY LC550EUD-SEF3 *1	020.000	△	LCD-DISPLAY LC550EUD-SEF3 *2	LCD-DISPLAY LC550EUD-SEF3 *2
020.000	△	056K55-LP2P		LCD-DISPLAY LC550EUD-SEF3 *2 KEIN ERSATZTEIL	LCD-DISPLAY LC550EUD-SEF3 *2 NO SPARE PART	020.000	△	KEIN ERSATZTEIL	NO SPARE PART
020.100	△	759551671000		T-CON MODUL (XZE)*1	T-CON BOARD (XZE)*1	020.100	△	T-CON MODUL (XZE)*1	T-CON BOARD (XZE)*1
020.100	△	759551699100		T-CON MODUL (XZT)*2	T-CON BOARD (XZT)*2	020.100	△	T-CON MODUL (XZT)*2	T-CON BOARD (XZT)*2
020.200	△	759551671100		INVERTERMODUL (XRU)	INVERTERBOARD (XRU)	020.200	△	INVERTERMODUL (XRU)	INVERTERBOARD (XRU)
021.000		759551611500		INVERTERKABEL 230 MM	INVERTER CABLE 230 MM	021.000		INVERTERKABEL 230 MM	INVERTER CABLE 230 MM
022.000	△	759551343100		NETZKABEL 180CM	POWER CABLE 180CM	022.000	△	NETZKABEL 180CM	POWER CABLE 180CM
023.000	△	275990314000		NETZTEILMOD. 219W REWORK*1	POWER BOARD 219W REWORK*1	023.000	△	NETZTEILMOD. 219W REWORK*1	POWER BOARD 219W REWORK*1
023.000	△	275990314800		NETZTEILMOD. 219W SLIM TV*2	POWER BOARD 219W SLIM TV*2	023.000	△	NETZTEILMOD. 219W SLIM TV*2	POWER BOARD 219W SLIM TV*2
025.000	△	275991176900	X	CHASSISMODUL TP (LCL)*1	CHASSIS BOARD TP (LCL)*1	025.000	△	CHASSISMODUL TP (LCL)*1	CHASSIS BOARD TP (LCL)*1
025.000	△	275991178600	X	CHASSISMODUL TP (CMC)*2	CHASSIS BOARD TP (CMC)*2	025.000	△	CHASSISMODUL TP (CMC)*2	CHASSIS BOARD TP (CMC)*2
027.000		720117226300		FERNBEDIENUNG TP7	REMOTE CONTROL TP7	027.000		FERNBEDIENUNG TP7	REMOTE CONTROL TP7
028.000		720117145300		FERNBEDIENUNG TP EASY SCHWARZ	REMOTE CONTROL TP EASY BLACK	028.000		FERNBEDIENUNG TP EASY SCHWARZ	REMOTE CONTROL TP EASY BLACK
029.000		759551649400		BEDIENMODUL (VSC)	KEYBOARD (VSC)	029.000		BEDIENMODUL (VSC)	KEYBOARD (VSC)
030.000		759551057800		TASTSCHALTER	KEY SWITCH	030.000		TASTSCHALTER	KEY SWITCH
031.000		759551670300		IR/LED MODUL (VVA)	IR/LED BOARD (VVA)	031.000		IR/LED MODUL (VVA)	IR/LED BOARD (VVA)
032.000		759551670400		IR-EMPFÄNGER TSOP85438AP5	IR RECEIVER TSOP85438AP5	032.000		IR-EMPFÄNGER TSOP85438AP5	IR RECEIVER TSOP85438AP5
033.000		759551549100		LED-SMD 1206 BLAU 250MCD 3.3V	LED-SMD 1206 BLUE 250MCD 3.3V	033.000		LED-SMD 1206 BLAU 250MCD 3.3V	LED-SMD 1206 BLUE 250MCD 3.3V
090.000		759551687700		KARTON 55	CARTON 55	090.000		KARTON 55	CARTON 55
091.000		759551687800		POLSTER 6 TEILIG	CUSHION 6 PARTS	091.000		POLSTER 6 TEILIG	CUSHION 6 PARTS
				DIE BEDIENUNGSANLEITUNG KOENNEN SIE IM INTERNET UNTER FOLGENDER ADRESSE ABRUFEN: WWW.GRUNDIG.DE MENU: DOWNLOADS	THE INSTRUCTION MANUAL CAN BE DOWNLOADED FROM THE INTERNET UNDER THE FOLLOWING ADDRESS: WWW.GRUNDIG.DE MENU: DOWNLOADS			DIE BEDIENUNGSANLEITUNG KOENNEN SIE IM INTERNET UNTER FOLGENDER ADRESSE ABRUFEN: WWW.GRUNDIG.DE MENU: DOWNLOADS	THE INSTRUCTION MANUAL CAN BE DOWNLOADED FROM THE INTERNET UNDER THE FOLLOWING ADDRESS: WWW.GRUNDIG.DE MENU: DOWNLOADS
		720100558000		SERVICE MANUAL D/GB	SERVICE MANUAL D/GB			SERVICE MANUAL D/GB	SERVICE MANUAL D/GB
		720100558200		SERVICE MANUAL D/GB 3. ERGAENZUNG	SERVICE MANUAL D/GB SUPPLEMENT 3			SERVICE MANUAL D/GB 3. ERGAENZUNG	SERVICE MANUAL D/GB SUPPLEMENT 3
		720108000001		SICHERHEITSMANUAL D/GB/E/F/I	SAFETY SERVICE MANUAL D/GB/E/F/I			SICHERHEITSMANUAL D/GB/E/F/I	SAFETY SERVICE MANUAL D/GB/E/F/I
			X = SIEHE GESONDERTE E-LISTE	X = SIEHE GESONDERTE E-LISTE				X = SIEHE GESONDERTE E-LISTE	X = SIEHE GESONDERTE E-LISTE

Es gelten die Vorschriften und Sicherheitshinweise gemäß dem Service Manual "Sicherheit", Mat.-Nummer 720108000001, sowie zusätzlich die eventuell abweichenden, landesspezifischen Vorschriften!



The regulations and safety instructions shall be valid as provided by the "Safety" Service Manual, part number 720108000001, as well as the respective national deviations.

ÄNDERUNGEN VORBEHALTEN / SUBJECT TO ALTERATION

Ersatzteilliste  
Spare Parts List

NUR FÜR INTERNEN GEBRAUCH  
FOR INTERNAL USE ONLY

TV

9 / 2012

55 VLE 9270 SL

BESTELL-NR. / ORDER NO.: KYF000 (KYF)

POS. NR. POS. NO.	ABB. FIG.	MATERIAL-NR. PART NUMBER	ANZ. QTY.	BEZEICHNUNG (D)	DESCRIPTION (GB)
		KYF000		55 VLE 9270 SL PRODUKTCODE KYF KEIN E-TEIL	55 VLE 9270 SL PRODUCT CODE KYF NO SPARE PART
				<b>Hinweis:</b> Sollte in dieser Ersatzteilliste Ihr "Product Code" oder Ihre Display-Variante nicht aufgeführt sein, finden Sie eine aktualisierte Version auf dem GRUNDIG Service-Portal <a href="http://service.grundig.de">"http://service.grundig.de"</a> .	<b>Note:</b> If your "Product Code" or display variant is not mentioned in the spare parts list, please look for a current version at the GRUNDIG service portal <a href="http://service.grundig.de">"http://service.grundig.de"</a> .
001.000		759551690600		GEH.- VORDERTEIL SILBER	FRONT CABINET SILVER
002.000		759551690700		RUECKWAND SILBER	BACK COVER SILVER
003.000		759551673100		NETZKABEL ABDECKUNG SILBER	POWER CORD COVER SILVER
005.000		759551690400		STANDFUSS SILBER	STAND FOOT SILVER
007.000		759551633800		KNOPF PROG/ON-OFF SILBER	KNOB PROG/ON-OFF SILVER
015.000		759551669900		LAUTSPRECHER LINKS 15/20 W	SPEAKER LEFT 15/20W
016.000		759551670000		LAUTSPRECHER RECHTS 15/20 W	SPEAKER RIGHT 15/20W
019.000		759551465100		KABEL DISPLAY-LVDS 400MM	CABLE DISPLAY-LVDS 400MM
020.000	△	056K55-LP2		LCD-DISPLAY LC550EUD-SEF3*1	LCD-DISPLAY LC550EUD-SEF3 *1
020.000	△	056K55-LP2P		LCD-DISPLAY LC550EUD-SEF3*2 KEIN ERSATZTEIL	LCD-DISPLAY LC550EUD-SEF3 *2 NO SPARE PART
020.100	△	759551671000		T-CON MODUL (XZE)*1	T-CON BOARD (XZE)*1
020.100	△	759551699100		T-CON MODUL (XZT)*2	T-CON BOARD (XZT)*2
020.200	△	759551671100		INVERTERMODUL (XRU)	INVERTERBOARD (XRU)
021.000		759551611500		INVERTERKABEL 230 MM	INVERTER CABLE 230 MM
022.000	△	759551343100		NETZKABEL 180CM	POWER CABLE 180CM
023.000	△	275990314000		NETZTEILMOD. 219W REWORK*1	POWER BOARD 219W REWORK*1
023.000	△	275990314800		NETZTEILMOD. 219W SLIM TV*2	POWER BOARD 219W SLIM TV*2
025.000	△	275991176900	X	CHASSISMODUL TP (LCL)*1	CHASSIS BOARD TP (LCL)*1
025.000	△	275991178600	X	CHASSISMODUL TP (CMC)*2	CHASSIS BOARD TP (CMC)*2
027.000		720117226300		FERNBEDIENUNG TP7	REMOTE CONTROL TP7
028.000		720117145400		FERNBEDIENUNG TP EASY WEISS	REMOTE CONTROL TP EASY WHITE
029.000		759551649400		BEDIENMODUL (VSC)	KEYBOARD (VSC)
030.000		759551057800		TASTSCHALTER	KEY SWITCH
031.000		759551670300		IR/LED MODUL (VVA)	IR/LED BOARD (VVA)
032.000		759551670400		IR-EMPFÄNGER TSOP85438AP5	IR RECEIVER TSOP85438AP5
033.000		759551549100		LED-SMD 1206 BLAU 250MCD 3.3V	LED-SMD 1206 BLUE 250MCD 3.3V
090.000		759551687700		KARTON 55	CARTON 55
091.000		759551687800		POLSTER 6 TEILIG	CUSHION 6 PARTS
				DIE BEDIENUNGSANLEITUNG KOENNEN SIE IM INTERNET UNTER FOLGENDER ADRESSE ABRUFEN: WWW.GRUNDIG.DE MENU: DOWNLOADS	THE INSTRUCTION MANUAL CAN BE DOWNLOADED FROM THE INTERNET UNDER THE FOLLOWING ADDRESS: WWW.GRUNDIG.DE MENU: DOWNLOADS
		720100558000		SERVICE MANUAL D/GB	SERVICE MANUAL D/GB
		720100558200		SERVICE MANUAL D/GB 3. ERGAENZUNG	SERVICE MANUAL D/GB SUPPLEMENT 3
		720108000001		SICHERHEITSMANUAL D/GB/E/F/I	SAFETY SERVICE MANUAL D/GB/E/F/I
				X = SIEHE GESONDERTE E-LISTE	X = SEE SEPARATE PARTS LIST

Ersatzteilliste  
Spare Parts List

NUR FÜR INTERNEN GEBRAUCH  
FOR INTERNAL USE ONLY

TV

9 / 2012

55 VLE 9270 WL

BESTELL-NR. / ORDER NO.: LCM000 (LCM)

POS. NR. POS. NO.	ABB. FIG.	MATERIAL-NR. PART NUMBER	ANZ. QTY.	BEZEICHNUNG (D)	DESCRIPTION (GB)
		LCM000		55 VLE 9270 WL PRODUKTCODE LCM KEIN E-TEIL	55 VLE 9270 WL PRODUCT CODE LCM NO SPARE PART
				<b>Hinweis:</b> Sollte in dieser Ersatzteilliste Ihr "Product Code" oder Ihre Display-Variante nicht aufgeführt sein, finden Sie eine aktualisierte Version auf dem GRUNDIG Service-Portal <a href="http://service.grundig.de">"http://service.grundig.de"</a> .	<b>Note:</b> If your "Product Code" or display variant is not mentioned in the spare parts list, please look for a current version at the GRUNDIG service portal <a href="http://service.grundig.de">"http://service.grundig.de"</a> .
001.000		759551687400		GEH.- VORDERTEIL WEISS	FRONT CABINET WHITE
002.000		759551687500		RUECKWAND WEISS	BACK COVER WHITE
003.000		759551673200		NETZKABEL ABDECKUNG WEISS	POWER CORD COVER WHITE
005.000		759551690400		STANDFUSS SILBER	STAND FOOT SILVER
007.000		759551635400		KNOPF PROG/ON-OFF WEISS	KNOB PROG/ON-OFF WHITE
015.000		759551669900		LAUTSPRECHER LINKS 15/20 W	SPEAKER LEFT 15/20W
016.000		759551670000		LAUTSPRECHER RECHTS 15/20 W	SPEAKER RIGHT 15/20W
019.000		759551465100		KABEL DISPLAY-LVDS 400MM	CABLE DISPLAY-LVDS 400MM
020.000	△	056K55-LP2		LCD-DISPLA LC550EUD-SEF3 *1	LCD-DISPLA LC550EUD-SEF3 *1
020.000	△	056K55-LP2P		LCD-DISPLA LC550EUD-SEF3 *2 KEIN E-TEIL	LCD-DISPLA LC550EUD-SEF3 *2 NO SPARE PART
020.100	△	759551671000		T-CON MODUL (XZE)*1	T-CON BOARD (XZE)*1
020.200	△	759551671100		INVERTERMODUL (XRU)*1	INVERTERBOARD (XRU)*1
021.000		759551611500		INVERTERKABEL 230 MM	INVERTER CABLE 230 MM
022.000	△	759551343100		NETZKABEL 180CM	POWER CABLE 180CM
023.000	△	275990314000		LP-NETZTEILMODUL 219W SLIM TV *1	POWER BOARD 219W SLIM TV *1
023.000	△	275990314800		LP-NETZTEILMODUL 219W SLIM TV *2	POWER BOARD 219W SLIM TV *2
025.000	△	275991176900	X	CHASSISMODUL TP (LCL)*1	CHASSIS BOARD TP (LCL)*1
025.000	△	275991178600	X	CHASSISMODUL TP (CMC)*2	CHASSIS BOARD TP (CMC)*2
027.000		720117226300		FERNBEDIENUNG TP7	REMOTE CONTROL TP7
028.000		720117145400		FERNBEDIENUNG TP EASY WEISS	REMOTE CONTROL TP EASY WHITE
029.000		759551649400		BEDIENMODUL (VSC)	KEYBOARD (VSC)
030.000		759551057800		TASTSCHALTER	KEY SWITCH
031.000		759551670300		IR/LED MODUL (VVA)	IR/LED BOARD (VVA)
032.000		759551670400		IR-EMPFÄNGER TSOP85438AP5	IR RECEIVER TSOP85438AP5
033.000		759551549100		LED-SMD 1206 BLAU 250MCD 3.3V	LED-SMD 1206 BLUE 250MCD 3.3V
090.000		759551687700		KARTON 55	CARTON 55
091.000		759551687800		POLSTER 6 TEILIG	CUSHION 6 PARTS
				DIE BEDIENUNGSANLEITUNG KOENNEN SIE IM INTERNET UNTER FOLGENDER ADRESSE ABRUFEN: WWW.GRUNDIG.DE MENU: DOWNLOADS	THE INSTRUCTION MANUAL CAN BE DOWNLOADED FROM THE INTERNET UNDER THE FOLLOWING ADDRESS: WWW.GRUNDIG.DE MENU: DOWNLOADS
		720100558000		SERVICE MANUAL D/GB	SERVICE MANUAL D/GB
		720100558200		SERVICE MANUAL D/GB 3. ERGAENZUNG	SERVICE MANUAL D/GB SUPPLEMENT 3
		720108000001		SICHERHEITSMANUAL D/GB/E/F/I	SAFETY SERVICE MANUAL D/GB/E/F/I
				X = SIEHE GESONDERTE E-LISTE	X = SEE SEPARATE PARTS LIST

Es gelten die Vorschriften und Sicherheitshinweise gemäß dem Service Manual "Sicherheit", Mat.-Nummer 720108000001, sowie zusätzlich die eventuell abweichenden, landesspezifischen Vorschriften!



The regulations and safety instructions shall be valid as provided by the "Safety" Service Manual, part number 720108000001, as well as the respective national deviations.

ÄNDERUNGEN VORBEHALTEN / SUBJECT TO ALTERATION

Es gelten die Vorschriften und Sicherheitshinweise gemäß dem Service Manual "Sicherheit", Mat.-Nummer 720108000001, sowie zusätzlich die eventuell abweichenden, landesspezifischen Vorschriften!



The regulations and safety instructions shall be valid as provided by the "Safety" Service Manual, part number 720108000001, as well as the respective national deviations.

ÄNDERUNGEN VORBEHALTEN / SUBJECT TO ALTERATION

Ersatzteilliste  
Spare Parts List

NUR FÜR INTERNEN GEBRAUCH  
FOR INTERNAL USE ONLY

TV

12 / 2012

55 VLE 9271 BL

BESTELL-NR. / ORDER NO.: LET000 (LET)

POS. NR. POS. NO.	ABB. FIG.	MATERIAL-NR. PART NUMBER	ANZ. QTY.	BEZEICHNUNG (D)	DESCRIPTION (GB)
		LET000		55 VLE 9271 BL PRODUKTCODE LET KEIN E-TEIL	55 VLE 9271 BL PRODUCT CODE LET NO SPARE PART
				<b>Hinweis:</b> Sollte in dieser Ersatzteilliste Ihr "Product Code" oder Ihre Display-Variante nicht aufgeführt sein, finden Sie eine aktualisierte Version auf dem GRUNDIG Service-Portal <a href="http://service.grundig.de">"http://service.grundig.de"</a> .	<b>Note:</b> If your "Product Code" or display variant is not mentioned in the spare parts list, please look for a current version at the GRUNDIG service portal <a href="http://service.grundig.de">"http://service.grundig.de"</a> .
001.000		759551669600		GEH.- VORDERTEIL SCHWARZ	FRONT CABINET BLACK
001.100		759551694600		IR-LINSE	IR-LENS
002.000		759551669700		RUECKWAND SCHWARZ	BACK COVER BLACK
003.000		759551673300		NETZKABEL ABDECKUNG SCHWARZ	POWER CORD COVER BLACK
005.000		759551669800		STANDFUSS SCHWARZ	STAND FOOT BLACK
005.100		759551703800		STANDFUSSHALTERUNG 42, 47, 50, 55	STANDFOOTHOLDER 42, 47, 50, 55
006.000		759551704000		STANDFUSS ZWISCHENSTUECK SCHWARZ	STANDFOOT MIDDLEPART BLACK
007.000		759551626000		KNOPF PROG/ON-OFF SCHWARZ	KNOB PROG/ON-OFF SCHWARZ
015.000		759551669900		LAUTSPRECHER LINKS 15/20 W	SPEAKER LEFT 15/20W
016.000		759551670000		LAUTSPRECHER RECHTS 15/20 W	SPEAKER RIGHT 15/20W
017.000		759551702000		LAUTSPRECHER WOOFER KPL. 10W	SPEAKER WOOFER CPL. 10W
019.000		759551465100		KABEL DISPLAY-LVDS 400MM	CABLE DISPLAY-LVDS 400MM
020.000	△	056K55-LP2		LCD-DISPLAY LC550EUD-SEF3 *1	LCD-DISPLAY LC550EUD-SEF3 *1
020.000	△	056K55-LP2P		LCD-DISPLAY LC550EUD-SEF3 *2	LCD-DISPLAY LC550EUD-SEF3 *2
				KEIN ERSATZTEIL	NO SPARE PART
020.100	△	759551671000		T-CON MODUL (XZE)*1	T-CON BOARD (XZE)*1
020.200	△	759551671100		INVERTERMODUL (XRU)*1	INVERTERBOARD (XRU)*1
021.000		759551611500		INVERTERKABEL 230 MM	INVERTER CABLE 230 MM
022.000	△	759551343100		NETZKABEL 180CM	POWER CABLE 180CM
023.000	△	275990314800		NETZTEILMOD. 219W SLIM TV	POWER BOARD 219W SLIM TV
025.000	△	275991176900	X	CHASSISMODUL TP (LCL)*1	CHASSIS BOARD TP (LCL)*1
025.000	△	275991178600	X	CHASSISMODUL TP (CMC)*2	CHASSIS BOARD TP (CMC)*2
027.000		720117226300		FERNBEDIENUNG TP7	REMOTE CONTROL TP7
028.000		720117145300		FERNBEDIENUNG TP EASY SCHWARZ	REMOTE CONTROL TP EASY BLACK
029.000		759551649400		BEDIENMODUL (VSC)	KEYBOARD (VSC)
030.000		759551057800		TASTSCHALTER	KEY SWITCH
031.000		759551670300		IR/LED MODUL (VVA)	IR/LED BOARD (VVA)
032.000		759551670400		IR-EMPFÄNGER TSOP85438AP5	IR RECEIVER TSOP85438AP5
033.000		759551549100		LED-SMD 1206 BLAU 250MCD 3.3V	LED-SMD 1206 BLUE 250MCD 3.3V
090.000		759551687700		KARTON 55	CARTON 55
091.000		759551687800		POLSTER 6 TEILIG	CUSHION 6 PARTS
				DIE BEDIENUNGSANLEITUNG KOENNEN SIE IM INTERNET UNTER FOLGENDER ADRESSE ABRUFEN: WWW.GRUNDIG.DE MENU: DOWNLOADS	THE INSTRUCTION MANUAL CAN BE DOWNLOADED FROM THE INTERNET UNDER THE FOLLOWING ADDRESS: WWW.GRUNDIG.DE MENU: DOWNLOADS
		720100558000		SERVICE MANUAL D/GB	SERVICE MANUAL D/GB
		720100558200		SERVICE MANUAL D/GB 3. ERGAENZUNG	SERVICE MANUAL D/GB SUPPLEMENT 3
		720108000001		SICHERHEITSMANUAL D/GB/E/F/I	SAFETY SERVICE MANUAL D/GB/E/F/I
				X = SIEHE GESONDERTE E-LISTE	X = SEE SEPARATE PARTS LIST

Es gelten die Vorschriften und Sicherheitshinweise gemäß dem Service Manual "Sicherheit", Mat.-Nummer 720108000001, sowie zusätzlich die eventuell abweichenden, landesspezifischen Vorschriften!



The regulations and safety instructions shall be valid as provided by the "Safety" Service Manual, part number 720108000001, as well as the respective national deviations.

ÄNDERUNGEN VORBEHALTEN / SUBJECT TO ALTERATION

Ersatzteilliste  
Spare Parts List

NUR FÜR INTERNEN GEBRAUCH  
FOR INTERNAL USE ONLY

TV

9 / 2012

55 VLE 9275 BP

BESTELL-NR. / ORDER NO.: LEZ000 (LEZ)

POS. NR. POS. NO.	ABB. FIG.	MATERIAL-NR. PART NUMBER	ANZ. QTY.	BEZEICHNUNG (D)	DESCRIPTION (GB)
		LEZ000		55 VLE 9275 BP PRODUKTCODE LEZ KEIN E-TEIL	55 VLE 9275 BP PRODUCT CODE LEZ NO SPARE PART
				<b>Hinweis:</b> Sollte in dieser Ersatzteilliste Ihr "Product Code" oder Ihre Display-Variante nicht aufgeführt sein, finden Sie eine aktualisierte Version auf dem GRUNDIG Service-Portal <a href="http://service.grundig.de">"http://service.grundig.de"</a> .	<b>Note:</b> If your "Product Code" or display variant is not mentioned in the spare parts list, please look for a current version at the GRUNDIG service portal <a href="http://service.grundig.de">"http://service.grundig.de"</a> .
001.000		759551669600		GEH.- VORDERTEIL SCHWARZ	FRONT CABINET BLACK
002.000		759551669700		RUECKWAND SCHWARZ	BACK COVER BLACK
003.000		759551673300		NETZKABEL ABDECKUNG SCHWARZ	POWER CORD COVER BLACK
005.000		759551687900		STANDFUSS SCHWARZ	STAND FOOT BLACK
007.000		759551626000		KNOPF PROG/ON-OFF SCHWARZ	KNOB PROG/ON-OFF SCHWARZ
015.000		759551669900		LAUTSPRECHER LINKS 15/20 W	SPEAKER LEFT 15/20W
016.000		759551670000		LAUTSPRECHER RECHTS 15/20 W	SPEAKER RIGHT 15/20W
019.000		759551465100		KABEL DISPLAY-LVDS 400MM	CABLE DISPLAY-LVDS 400MM
020.000	△	056K55-LP2		LCD-DISPLAY LC550EUD-SEF3 ELED	LCD-DISPLAY LGD LC550EUD-SEF3 ELED
				KEIN E-TEIL	NO SPARE PART
020.100	△	759551671000		T-CON MODUL (XZE)	T-CON BOARD (XZE)
020.200	△	759551671100		INVERTERMODUL (XRU)	INVERTERBOARD (XRU)
021.000		759551611500		INVERTERKABEL 230 MM	INVERTER CABLE 230 MM
022.000	△	759551343100		NETZKABEL 180CM	POWER CABLE 180CM
023.000	△	275990314000		LP-NETZTEILMODUL 219W SLIM TV	LP-NETZTEILMODUL 219W SLIM TV
025.000	△	275991172900	X	CHASSISMODUL TP (KWA)	CHASSIS BOARD TP (KWA)
027.000		720117226300		FERNBEDIENUNG TP7	REMOTE CONTROL TP7
028.000		720117145300		FERNBEDIENUNG TP EASY SCHWARZ	REMOTE CONTROL TP EASY BLACK
029.000		759551649400		BEDIENMODUL (VSC)	KEYBOARD (VSC)
030.000		759551057800		TASTSCHALTER	KEY SWITCH
031.000		759551670300		IR/LED MODUL (VVA)	IR/LED BOARD (VVA)
032.000		759551670400		IR-EMPFÄNGER TSOP85438AP5	IR RECEIVER TSOP85438AP5
033.000		759551549100		LED-SMD 1206 BLAU 250MCD 3.3V	LED-SMD 1206 BLUE 250MCD 3.3V
090.000		759551687700		KARTON 55	CARTON 55
091.000		759551687800		POLSTER 6 TEILIG	CUSHION 6 PARTS
				DIE BEDIENUNGSANLEITUNG KOENNEN SIE IM INTERNET UNTER FOLGENDER ADRESSE ABRUFEN: WWW.GRUNDIG.DE MENU: DOWNLOADS	THE INSTRUCTION MANUAL CAN BE DOWNLOADED FROM THE INTERNET UNDER THE FOLLOWING ADDRESS: WWW.GRUNDIG.DE MENU: DOWNLOADS
		720100558000		SERVICE MANUAL D/GB	SERVICE MANUAL D/GB
		720100558200		SERVICE MANUAL D/GB 3. ERGAENZUNG	SERVICE MANUAL D/GB SUPPLEMENT 3
		720108000001		SICHERHEITSMANUAL D/GB/E/F/I	SAFETY SERVICE MANUAL D/GB/E/F/I
				X = SIEHE GESONDERTE E-LISTE	X = SEE SEPARATE PARTS LIST

Es gelten die Vorschriften und Sicherheitshinweise gemäß dem Service Manual "Sicherheit", Mat.-Nummer 720108000001, sowie zusätzlich die eventuell abweichenden, landesspezifischen Vorschriften!



The regulations and safety instructions shall be valid as provided by the "Safety" Service Manual, part number 720108000001, as well as the respective national deviations.

ÄNDERUNGEN VORBEHALTEN / SUBJECT TO ALTERATION

Ersatzteilliste  
Spare Parts List

NUR FÜR INTERNEN GEBRAUCH  
FOR INTERNAL USE ONLY

TV

9 / 2012

55 VLE 9275 WP

BESTELL-NR. / ORDER NO.: LFC000 (LFC)

POS. NR. POS. NO.	ABB. FIG.	MATERIAL-NR. PART NUMBER	ANZ. QTY.	BEZEICHNUNG (D)	DESCRIPTION (GB)
		LFC000		55 VLE 9275 WP PRODUKTCODE LFC KEIN E-TEIL	55 VLE 9275 WP PRODUCT CODE LFC NO SPARE PART
				<b>Hinweis:</b> Sollte in dieser Ersatzteilliste Ihr "Product Code" oder Ihre Display-Variante nicht aufgeführt sein, finden Sie eine aktualisierte Version auf dem GRUNDIG Service-Portal <a href="http://service.grundig.de">"http://service.grundig.de"</a> .	<b>Note:</b> If your "Product Code" or display variant is not mentioned in the spare parts list, please look for a current version at the GRUNDIG service portal <a href="http://service.grundig.de">"http://service.grundig.de"</a> .
001.000		759551687400		GEH.- VORDERTEIL WEISS	FRONT CABINET WHITE
002.000		759551687500		RUECKWAND WEISS	BACK COVER WHITE
003.000		759551673200		NETZKABEL ABDECKUNG WEISS	POWER CORD COVER WHITE
005.000		759551687600		STANDFUSS SILBER	STAND FOOT SILVER
007.000		759551635400		KNOPF PROG/ON-OFF WEISS	KNOB PROG/ON-OFF WHITE
015.000		759551669900		LAUTSPRECHER LINKS 15/20 W	SPEAKER LEFT 15/20W
016.000		759551670000		LAUTSPRECHER RECHTS 15/20 W	SPEAKER RIGHT 15/20W
019.000		759551465100		KABEL DISPLAY-LVDS 400MM	CABLE DISPLAY-LVDS 400MM
020.000	△	056K55-LP2		LCD-DISPLAY LC550EUD-SEF3 ELED KEIN E-TEIL	LCD-DISPLAY LC550EUD-SEF3 ELED NO SPARE PART
020.100	△	759551671000		T-CON MODUL (XZE)	T-CON BOARD (XZE)
020.200	△	759551671100		INVERTERMODUL (XRU)	INVERTERBOARD (XRU)
021.000	△	759551611500		INVERTERKABEL 230 MM	INVERTER CABLE 230 MM
022.000	△	759551343100		NETZKABEL 180CM	POWER CABLE 180CM
023.000	△	275990314000		LP-NETZTEILMODUL 219W SLIM TV	POWER BOARD 219W SLIM TV
025.000	△	275991172900	X	CHASSISMODUL TP (KWA)	CHASSIS BOARD TP (KWA)
027.000		720117226300		FERNBEDIENUNG TP7	REMOTE CONTROL TP7
028.000		720117145400		FERNBEDIENUNG TP EASY WEISS	REMOTE CONTROL TP EASY WHITE
029.000		759551649400		BEDIENMODUL (VSC)	KEYBOARD (VSC)
030.000		759551057800		TASTSCHALTER	KEY SWITCH
031.000		759551670300		IR/LED MODUL (VVA)	IR/LED BOARD (VVA)
032.000		759551670400		IR-EMPPFAENGER TSOP85438AP5	IR RECEIVER TSOP85438AP5
033.000		759551549100		LED-SMD 1206 BLAU 250MCD 3.3V	LED-SMD 1206 BLUE 250MCD 3.3V
090.000		759551687700		KARTON 55	CARTON 55
091.000		759551687800		POLSTER 6 TEILIG	CUSHION 6 PARTS
				DIE BEDIENUNGSANLEITUNG KOENNEN SIE IM INTERNET UNTER FOLGENDER ADRESSE ABRUFEN: WWW.GRUNDIG.DE MENU: DOWNLOADS	THE INSTRUCTION MANUAL CAN BE DOWNLOADED FROM THE INTERNET UNDER THE FOLLOWING ADDRESS: WWW.GRUNDIG.DE MENU: DOWNLOADS
		720100558000		SERVICE MANUAL D/GB	SERVICE MANUAL D/GB
		720100558200		SERVICE MANUAL D/GB 3. ERGAENZUNG	SERVICE MANUAL D/GB SUPPLEMENT 3
		720108000001		SICHERHEITSMANUAL D/GB/E/F/I	SAFETY SERVICE MANUAL D/GB/E/F/I
				X = SIEHE GESONDERTE E-LISTE	X = SEE SEPARATE PARTS LIST

Ersatzteilliste  
Spare Parts List

NUR FÜR INTERNEN GEBRAUCH  
FOR INTERNAL USE ONLY

TV

6 / 2012

55 VLE 9279 BP

BESTELL-NR. / ORDER NO.: KWA000 (KWA)

POS. NR. POS. NO.	ABB. FIG.	MATERIAL-NR. PART NUMBER	ANZ. QTY.	BEZEICHNUNG (D)	DESCRIPTION (GB)
		KWA000		55 VLE 9279 BP PRODUKTCODE KWA KEIN E-TEIL	55 VLE 9279 BP PRODUCT CODE KWA NO SPARE PART
				<b>Hinweis:</b> Sollte in dieser Ersatzteilliste Ihr "Product Code" oder Ihre Display-Variante nicht aufgeführt sein, finden Sie eine aktualisierte Version auf dem GRUNDIG Service-Portal <a href="http://service.grundig.de">"http://service.grundig.de"</a> .	<b>Note:</b> If your "Product Code" or display variant is not mentioned in the spare parts list, please look for a current version at the GRUNDIG service portal <a href="http://service.grundig.de">"http://service.grundig.de"</a> .
001.000		759551669600		GEH.- VORDERTEIL SCHWARZ	FRONT CABINET BLACK
002.000		759551669700		RUECKWAND SCHWARZ	BACK COVER BLACK
005.000		759551669800		STANDFUSS SCHWARZ	STAND FOOT BLACK
007.000		759551626000		KNOPF PROG/ON-OFF SCHWARZ	KNOB PROG/ON-OFF SCHWARZ
015.000		759551669900		LAUTSPRECHER LINKS 15/20 W	SPEAKER LEFT 15/20W
016.000		759551670000		LAUTSPRECHER RECHTS 15/20 W	SPEAKER RIGHT 15/20W
018.000		759551465100		KABEL DISPLAY-LVDS 400MM	CABLE DISPLAY-LVDS 400MM
020.000	△	759551670200		LCD-DISPLAY LC550EUD-SEF3	LCD-DISPLAY LC550EUD-SEF3
020.100	△	759551671000		T-CON MODUL (XZE)	T-CON BOARD (XZE)
020.200	△	759551671100		INVERTERMODUL (XRU)	INVERTERBOARD (XRU)
021.000	△	759551611500		INVERTERKABEL 230 MM	INVERTER CABLE 230 MM
022.000	△	759551343100		NETZKABEL 180CM	POWER CABLE 180CM
023.000	△	275990314000		LP-NETZTEILMODUL 219W SLIM TV	POWER BOARD 219W SLIM TV
025.000	△	275991172900	X	CHASSISMODUL TP (KWA)	CHASSIS BOARD TP (KWA)
027.000		720117226300		FERNBEDIENUNG TP7	REMOTE CONTROL TP7
028.000		720117145300		FERNBEDIENUNG TP EASY SCHWARZ	REMOTE CONTROL TP EASY BLACK
029.000		759551649400		BEDIENMODUL (VSC)	KEYBOARD (VSC)
030.000		759551057800		TASTSCHALTER	KEY SWITCH
031.000		759551670300		IR/LED MODUL (VVA)	IR/LED BOARD (VVA)
032.000		759551670400		IR-EMPPFAENGER TSOP85438AP5	IR RECEIVER TSOP85438AP5
033.000		759551549100		LED-SMD 1206 BLAU 250MCD 3.3V	LED-SMD 1206 BLUE 250MCD 3.3V
090.000		759551670500		KARTON 55	CARTON 55
091.000		759551670600		POLSTER OBEN LINKS	CUSHION TOP LEFT
092.000		759551670700		POLSTER OBEN RECHTS	CUSHION TOP RIGHTS
093.000		759551670800		POLSTER UNTEN LINKS	CUSHION BOTTOM LEFT
094.000		759551670900		POLSTER UNTEN RECHTS	CUSHION BOTTOM RIGHT
				DIE BEDIENUNGSANLEITUNG KOENNEN SIE IM INTERNET UNTER FOLGENDER ADRESSE ABRUFEN: WWW.GRUNDIG.DE MENU: DOWNLOADS	THE INSTRUCTION MANUAL CAN BE DOWNLOADED FROM THE INTERNET UNDER THE FOLLOWING ADDRESS: WWW.GRUNDIG.DE MENU: DOWNLOADS
		720100558000		SERVICE MANUAL D/GB	SERVICE MANUAL D/GB
		720100558200		SERVICE MANUAL D/GB 3. ERGAENZUNG	SERVICE MANUAL D/GB SUPPLEMENT 3
		720108000001		SICHERHEITSMANUAL D/GB/E/F/I	SAFETY SERVICE MANUAL D/GB/E/F/I
				X = SIEHE GESONDERTE E-LISTE	X = SEE SEPARATE PARTS LIST

Es gelten die Vorschriften und Sicherheitshinweise gemäß dem Service Manual "Sicherheit", Mat.-Nummer 720108000001, sowie zusätzlich die eventuell abweichenden, landesspezifischen Vorschriften!



The regulations and safety instructions shall be valid as provided by the "Safety" Service Manual, part number 720108000001, as well as the respective national deviations.

ÄNDERUNGEN VORBEHALTEN / SUBJECT TO ALTERATION

Es gelten die Vorschriften und Sicherheitshinweise gemäß dem Service Manual "Sicherheit", Mat.-Nummer 720108000001, sowie zusätzlich die eventuell abweichenden, landesspezifischen Vorschriften!



The regulations and safety instructions shall be valid as provided by the "Safety" Service Manual, part number 720108000001, as well as the respective national deviations.

ÄNDERUNGEN VORBEHALTEN / SUBJECT TO ALTERATION

Ersatzteilliste  
Spare Parts List

NUR FÜR INTERNEN GEBRAUCH  
FOR INTERNAL USE ONLY

TV

1 / 2013

55 VLE 9279 WP

BESTELL-NR. / ORDER NO.: LCB000 (LCB)

POS. NR. POS. NO.	ABB. FIG.	MATERIAL-NR. PART NUMBER	ANZ. QTY.	BEZEICHNUNG (D)	DESCRIPTION (GB)
		LCB000		55 VLE 9279 WP PRODUKT CODE LCB KEIN E-TEIL	55 VLE 9279 WP PRODUCT CODE LCB NO SPARE PART
				<b>Hinweis:</b> Sollte in dieser Ersatzteilliste Ihr "Product Code" oder Ihre Display-Variante nicht aufgeführt sein, finden Sie eine aktualisierte Version auf dem GRUNDIG Service-Portal <a href="http://service.grundig.de">"http://service.grundig.de"</a> .	<b>Note:</b> If your "Product Code" or display variant is not mentioned in the spare parts list, please look for a current version at the GRUNDIG service portal <a href="http://service.grundig.de">"http://service.grundig.de"</a> .
001.000		759551687400		GEH.- VORDERTEIL WEISS	FRONT CABINET WHITE
001.100		759551694600		IR-LINSE	IR-LENS
002.000		759551687500		RUECKWAND WEISS	BACK COVER WHITE
003.000		759551673200		NETZKABEL ABDECKUNG WEISS	POWER CORD COVER WHITE
005.000		759551707700		STANDFUSS WEISS	STAND FOOT WHITE
005.100		759551703800		STANDFUSSHALTERUNG 42, 47, 50, 55	STANDFOOTHOLDER 42, 47, 50, 55
006.000		759551704000		STANDFUSS ZWISCHENSTUECK SCHWARZ	STANDFOOT MIDDLEPART BLACK
007.000		759551635400		KNOPF PROG/ON-OFF WEISS	KNOB PROG/ON-OFF WHITE
015.000		759551669900		LAUTSPRECHER LINKS 15/20 W	SPEAKER LEFT 15/20W
016.000		759551670000		LAUTSPRECHER RECHTS 15/20 W	SPEAKER RIGHT 15/20W
017.000		759551702000		LAUTSPR. WOOFER KPL. 10W	SPEAKER WOOFER CPL. 10W
019.000		759551465100		KABEL DISPLAY-LVDS 400MM	CABLE DISPLAY-LVDS 400MM
020.000	△	056K55-LP2P		LCD-DISPLAY LC550EUD-SEF3 KEIN ERSATZTEIL	LCD-DISPLAY LC550EUD-SEF3 NO SPARE PART
020.100	△	759551699100		T-CON MODUL (XZT)	T-CON BOARD (XZT)
020.200	△	759551671100		INVERTERMODUL (XRU)	INVERTERBOARD (XRU)
021.000		759551611500		INVERTERKABEL 230 MM	INVERTER CABLE 230 MM
022.000	△	759551343100		NETZKABEL 180CM	POWER CABLE 180CM
023.000	△	275990314800		NETZTEILMOD. 219W SLIM TV	POWER BOARD 219W SLIM TV
025.000	△	275991183900	X	CHASSISMODUL TP (LEZ)	CHASSIS BOARD TP (LEZ)
027.000		720117226300		FERNBEDIENUNG TP7	REMOTE CONTROL TP7
028.000		720117145400		FERNBEDIENUNG TP EASY WEISS	REMOTE CONTROL TP EASY WHITE
029.000		759551649400		BEDIENMODUL (VSC)	KEYBOARD (VSC)
030.000		759551057800		TASTSCHALTER	KEY SWITCH
031.000		759551670300		IR/LED MODUL (VVA)	IR/LED BOARD (VVA)
032.000		759551670400		IR-EMPFAENGER TSOP85438AP5	IR RECEIVER TSOP85438AP5
033.000		759551549100		LED-SMD 1206 BLAU 250MCD 3.3V	LED-SMD 1206 BLUE 250MCD 3.3V
090.000		759551687700		KARTON 55	CARTON 55
091.000		759551687800		POLSTER 6 TEILIG	CUSHION 6 PARTS
				DIE BEDIENUNGSANLEITUNG KOENNEN SIE IM INTERNET UNTER FOLGENDER ADRESSE ABRUFEN: WWW.GRUNDIG.DE MENU: DOWNLOADS	THE INSTRUCTION MANUAL CAN BE DOWNLOADED FROM THE INTERNET UNDER THE FOLLOWING ADDRESS: WWW.GRUNDIG.DE MENU: DOWNLOADS
		720100558000		SERVICE MANUAL D/GB	SERVICE MANUAL D/GB
		720100558200		SERVICE MANUAL D/GB 3. ERGAENZUNG	SERVICE MANUAL D/GB SUPPLEMENT 3
		720108000001		SICHERHEITSMANUAL D/GB/E/F/I	SAFETY SERVICE MANUAL D/GB/E/F/I
				X = SIEHE GESONDERTE E-LISTE	X = SEE SEPARATE PARTS LIST

73

Es gelten die Vorschriften und Sicherheitshinweise gemäß dem Service Manual "Sicherheit", Mat.-Nummer 720108000001, sowie zusätzlich die eventuell abweichenden, landesspezifischen Vorschriften!



The regulations and safety instructions shall be valid as provided by the "Safety" Service Manual, part number 720108000001, as well as the respective national deviations.

ÄNDERUNGEN VORBEHALTEN / SUBJECT TO ALTERATION

Ersatzteilliste  
Spare Parts List

NUR FÜR INTERNEN GEBRAUCH  
FOR INTERNAL USE ONLY

TV

2 / 2012

FINE ARTS 46 FLE 9170 SH

BESTELL-NR. / ORDER NO.: KKG000 (KKG)

POS. NR. POS. NO.	ABB. FIG.	MATERIAL-NR. PART NUMBER	ANZ. QTY.	BEZEICHNUNG (D)	DESCRIPTION (GB)
		KKG000		Fine Arts 46 FLE 9170 SH PRODUKT CODE KKG KEIN E-TEIL	Fine Arts 46 FLE 9170 SH PRODUCT CODE KKG NO SPARE PART
				<b>Hinweis:</b> Sollte in dieser Ersatzteilliste Ihr "Product Code" oder Ihre Display-Variante nicht aufgeführt sein, finden Sie eine aktualisierte Version auf dem GRUNDIG Service-Portal <a href="http://service.grundig.de">"http://service.grundig.de"</a> .	<b>Note:</b> If your "Product Code" or display variant is not mentioned in the spare parts list, please look for a current version at the GRUNDIG service portal <a href="http://service.grundig.de">"http://service.grundig.de"</a> .
001.000		759551641200		GEH.- VORDERTEIL SILBER	FRONT CABINET SILVER
002.000		759551641300		RUECKWAND SILBER	BACK COVER SILVER
004.000		759551657900		VESA RUECKWANDSCHRAUBE	VESA BACKCOVER SCREW
005.000		759551634400		STANDFUSS SILBER	STAND FOOT SILVER
007.000		759551633800		KNOPF PROG/ON-OFF SILBER	KNOB PROG/ON-OFF SILVER
015.000		759551614100		LAUTSPRECHER 8R 10/13,5W 30x193	SPEAKER 8R 10/13.5W 30x193
017.000		759551622400		LAUTSPR. WOOFER 16R 5/7W 71x71	SPEAKER WOOFER 16R 5/7W 71x71
018.000		759551600400		KABEL DISPLAY-LVDS 500 MM	CABLE DISPLAY-LVDS 500 MM
019.000		759551622600		KABEL LVDS 41 P 500MM	CABLE LVDS 41 P 500MM
020.000	△	759551640900		LCD-DISPLAY LTA460HQ12-Q02*1	LCD-DISPLAY LTA460HQ12-Q02*1
020.000	△	759551650800		LCD-DISPLAY LTA460HQ12-Q03*2	LCD-DISPLAY LTA460HQ12-Q03*2
020.100	△	759551641000		T-CON MODUL (XYD)*1	T-CON BOARD (XYD)*1
020.100	△	759551650900		T-CON MODUL (XYT)*2	T-CON BOARD (XYT)*2
020.200	△	759551641100		INVERTERMODUL (XRF)	INVERTERBOARD (XRF)
021.000		759551611500		INVERTERKABEL 230 MM	INVERTER CABLE 230 MM
022.000	△	759551343100		NETZKABEL 180CM	POWER CABLE 180CM
023.000	△	275990312800		NETZTEILMOD. 175W 2011 PSU	POWER BOARD 175W 2011 PSU
025.000	△	275991158900	X	CHASSISMODUL TP (KKG)*1	CHASSIS BOARD TP (KKG)*1
025.000	△	275991164500	X	CHASSISMODUL TP (KSG)*2	CHASSIS BOARD TP (KSG)*2
027.000		720117226200		FERNBEDIENUNG TP9	REMOTE CONTROL TP9
028.000		720117145400		FERNBEDIENUNG TP EASY WEISS	REMOTE CONTROL TP EASY WHITE
029.000		759551649400		BEDIENMODUL (VSC)	KEYPAD BOARD (VSC)
030.000		759551057800		TASTSCHALTER	KEY SWITCH
031.000		759551649500		IR/LED MODUL (VNR)	IR/LED BOARD (VNR)
032.000		759551544900		IR-EMPFAENGER TSOP35436TT	IR-RECEIVER TSOP35436TT
033.000		759551549100		LED-SMD 1206 BLAU 250MCD 3.3V	LED-SMD 1206 BLUE 250MCD 3.3V
034.000		759551622900		3D-EMITTER MODUL	3D-EMITTER BOARD
038.000		759551649600		WIFI MODUL	WIFI BOARD
090.000		759551620100		KARTON 46 LED	2011
091.000		759551634500		POLSTER OBEN	CUSHION TOP
092.000		759551620200		POLSTER OBEN	CUSHION TOP
093.000		759551620300		POLSTER UNTEN	CUSHION BOTTOM
094.000		759551634600		POLSTER UNTEN	CUSHION BOTTOM
				DIE BEDIENUNGSANLEITUNG KOENNEN SIE IM INTERNET UNTER FOLGENDER ADRESSE ABRUFEN: WWW.GRUNDIG.DE MENU: DOWNLOADS	THE INSTRUCTION MANUAL CAN BE DOWNLOADED FROM THE INTERNET UNDER THE FOLLOWING ADDRESS: WWW.GRUNDIG.DE MENU: DOWNLOADS
		720100555000		SERVICE MANUAL D/GB	SERVICE MANUAL D/GB
		720100558200		SERVICE MANUAL D/GB 3. ERGAENZUNG	SERVICE MANUAL D/GB SUPPLEMENT 3
		720108000001		SICHERHEITSMANUAL D/GB/E/F/I	SAFETY SERVICE MANUAL D/GB/E/F/I
				X = SIEHE GESONDERTE E-LISTE	X = SEE SEPARATE PARTS LIST

Es gelten die Vorschriften und Sicherheitshinweise gemäß dem Service Manual "Sicherheit", Mat.-Nummer 720108000001, sowie zusätzlich die eventuell abweichenden, landesspezifischen Vorschriften!



The regulations and safety instructions shall be valid as provided by the "Safety" Service Manual, part number 720108000001, as well as the respective national deviations.

ÄNDERUNGEN VORBEHALTEN / SUBJECT TO ALTERATION

Ersatzteilliste  
Spare Parts List

NUR FÜR INTERNEN GEBRAUCH  
FOR INTERNAL USE ONLY

TV

6 / 2012

FINE ARTS 55 FLE 9170 SH

POS. NR. POS. NO.	ABB. FIG.	MATERIAL-NR. PART NUMBER	ANZ. QTY.	BEZEICHNUNG (D)	BESTELL-NR. / ORDER NO.: KKH000 (KKH)	DESCRIPTION (GB)
		KKH000		Fine Arts 55 FLE 9170 SH PRODUKTCODE <b>KKH</b> KEIN E-TEIL	Fine Arts 55 FLE 9170 SH PRODUCT CODE <b>KKH</b> NO SPARE PART	
				<b>Hinweis:</b> Sollte in dieser Ersatzteilliste Ihr "Product Code" oder Ihre Display-Variante nicht aufgeführt sein, finden Sie eine aktualisierte Version auf dem GRUNDIG Service-Portal <a href="http://service.grundig.de">"http://service.grundig.de"</a> .	<b>Note:</b> If your "Product Code" or display variant is not mentioned in the spare parts list, please look for a current version at the GRUNDIG service portal <a href="http://service.grundig.de">"http://service.grundig.de"</a> .	
001.000		759551621200		GEH.- VORDERTeil SILBER	FRONT CABINET SILVER	
002.000		759551641400		RUECKWAND SILBER	BACK COVER SILVER	
004.000		759551657900		VESA RUECKWANDSCHRAUBE SILBER	VESA BACKCOVER SCREW SILVER	
005.000		759551621400		STANDFUSS SILBER	STAND FOOT SILVER	
007.000		759551550800		KNOPF PRG./ON-OFF SILBER	KNOB PRG./ON-OFF SILVER	
015.000		759551614100		LAUTSPRECHER 8R 10/13,5W 30x193	SPEAKER 8R 10/13,5W 30x193	
017.000		759551622400		LAUTSPR. WOOFER 16R 5/7W 71x71	SPEAKER WOOFER 16R 5/7W 71x71	
018.000		759551622500		KABEL LVDS 51 P 600MM	CABLE LVDS 51 P 600MM	
019.000		759551622600		KABEL LVDS 41 P 500MM	CABLE LVDS 41 P 500MM	
020.000	△	759551622700		LCD-DISPLAY LTA550HQ14-Q020*1	LCD-DISPLAY LTA550HQ14-Q020*1	
020.000	△	759551658200		LCD-DISPLAY LTA550HQ14-Q030*2	LCD-DISPLAY LTA550HQ14-Q030*2	
020.100	△	759551658300		T-COM MODUL (XZH)*2	T-COM BOARD (XZH)*2	
020.200	△	759551658400		INVERTERMODUL (XZH)*2	INVERTERBOARD (XZH)*2	
021.000		759551622800		KABEL INVERTER 700 MM	CABLE INVERTER 700 MM	
022.000	△	759551623000		NETZKABEL 180CM	POWER CORD 180CM	
023.000	△	275990312100		NETZTEILMOD. DPS-202CPA 3D	POWER BOARD DPS-202CPA 3D	
025.000	△	275991159000	X	CHASSISMODUL TP (KKH)*1	CHASSIS BOARD TP (KKH)*1	
025.000	△	275991169000	X	CHASSISMODUL TP (KET)*2	CHASSIS BOARD TP (KET)*2	
027.000		720117226200		FERNBEDIENUNG TP9	REMOTE CONTROL TP9	
028.000		720117145400		FERNBEDIENUNG TP EASY WEISS	REMOTE CONTROL TP EASY WHITE	
029.000		759551650200		BEDIENMODUL (VDM)	KEYBOARD (VDM)	
030.000		759551057800		TASTSCHALTER	KEY SWITCH	
031.000		759551649500		IR/LED MODUL (VNR)	IR/LED BOARD (VNR)	
032.000		759551544900		IR-EMFPAENGER TSOP35436TT	IR-RECEIVER TSOP35436TT	
033.000		759551549100		LED-SMD 1206 BLAU 250MCD 3.3V	LED-SMD 1206 BLUE 250MCD 3.3V	
034.000		759551622900		3D-EMITTER MODUL	3D-EMITTER BOARD	
090.000		759551621500		KARTON 55 LED OBERTEIL	CARTON 55 LED TOP	
091.000		759551621600		KARTON 55 LED UNTERTEIL	CARTON 55 LED BOTTOM	
092.000		759551621700		POLSTER OBEN LINKS	CUSHION TOP LEFT	
093.000		759551621900		POLSTER OBEN MITTE	CUSHION TOP MIDDLEPART	
094.000		759551621800		POLSTER OBEN RECHTS	CUSHION TOP RIGHT	
095.000		759551622000		POLSTER UNTEN LINKS	CUSHION BOTTOM LEFT	
096.000		759551622200		POLSTER UNTEN MITTE	CUSHION BOTTOM MIDDLEPART	
097.000		759551622100		POLSTER UNTEN RECHTS	CUSHION BOTTOM RIGHT	
				DIE BEDIENUNGSANLEITUNG KOENNEN SIE IM INTERNET UNTER FOLGENDER ADRESSE ABRUFEN: WWW.GRUNDIG.DE MENU: DOWNLOADS	THE INSTRUCTION MANUAL CAN BE DOWNLOADED FROM THE INTERNET UNDER THE FOLLOWING ADDRESS: WWW.GRUNDIG.DE MENU: DOWNLOADS	
		720100558000		SERVICE MANUAL D/GB	SERVICE MANUAL D/GB	
		720100558200		SERVICE MANUAL D/GB 3. ERGAENZUNG	SERVICE MANUAL D/GB SUPPLEMENT 3	
		720108000001		SICHERHEITSMANUAL D/GB/E/F/I X = SIEHE GESONDERTE E-LISTE	SAFETY SERVICE MANUAL D/GB/E/F/I X = SEE SEPARATE PARTS LIST	

Es gelten die Vorschriften und Sicherheitshinweise gemäß dem Service Manual "Sicherheit", Mat.-Nummer 720108000001, sowie zusätzlich die eventuell abweichenden, landesspezifischen Vorschriften!



The regulations and safety instructions shall be valid as provided by the "Safety" Service Manual, part number 720108000001, as well as the respective national deviations.

ÄNDERUNGEN VORBEHALTEN / SUBJECT TO ALTERATION

Ersatzteilliste  
Spare Parts List

NUR FÜR INTERNEN GEBRAUCH  
FOR INTERNAL USE ONLY

TV

9 / 2012

ROM 46 CLE 8235 BL

POS. NR. POS. NO.	ABB. FIG.	MATERIAL-NR. PART NUMBER	ANZ. QTY.	BEZEICHNUNG (D)	BESTELL-NR. / ORDER NO.: LEJ000 (LEJ)	DESCRIPTION (GB)
		LEJ000		ROM 46 CLE 8235 BL PRODUKTCODE <b>LEJ</b> KEIN E-TEIL	ROM 46 CLE 8235 BL PRODUCT CODE <b>LEJ</b> NO SPARE PART	
				<b>Hinweis:</b> Sollte in dieser Ersatzteilliste Ihr "Product Code" oder Ihre Display-Variante nicht aufgeführt sein, finden Sie eine aktualisierte Version auf dem GRUNDIG Service-Portal <a href="http://service.grundig.de">"http://service.grundig.de"</a> .	<b>Note:</b> If your "Product Code" or display variant is not mentioned in the spare parts list, please look for a current version at the GRUNDIG service portal <a href="http://service.grundig.de">"http://service.grundig.de"</a> .	
001.000		759551696300		RUECKWAND SCHWARZ	BACK COVER BLACK	
002.000		759551634700		RUECKWAND SCHWARZ	BACK COVER BLACK	
003.000		759551673300		NETZKABEL ABDECKUNG SCHWARZ	POWER CORD COVER BLACK	
004.000		759551696200		IR-LINSE	IR-LENS	
005.000		759551627900		STANDFUSS SCHWARZ	STAND FOOT BLACK	
006.000		759551694000		STANDFUSS SCHRAUBE SILBER M8X40	STANDFOOTSREW SILVER M8X40	
007.000		759551626000		KNOPF PROG/ON-OFF SCHWARZ	KNOB PROG/ON-OFF SCHWARZ	
008.000		759551654700		VESA RUECKWANDSCHRAUBE	VESA BACKCOVER SCREW	
015.000		759551614100		LAUTSPRECHER 8 OHM 10/13,5 W 30x193	SPEAKER 8 OHM 10/13,5 W 30x193	
017.000		759551622400		LAUTSPRECHER WOOFER 16 OHM 5/7 W	SPEAKER WOOFER 16 OHM 5/7 W	
018.000		759551600400		KABEL DISPLAY-LVDS 500 MM	CABLE DISPLAY-LVDS 500 MM	
019.000		759551622600		KABEL LVDS 41 P 500MM	CABLE LVDS 41 P 500MM	
020.000	△	056D46-SS13C		LCD-DISPLAY LTA460HJ14-C03 KEIN ERSATZTEIL	LCD-DISPLAY SS LTA460HJ14-C03 NO SPARE PART	
020.100	△	759551648300		T-CON MODUL (XZF)	T-CON BOARD (XZF)	
020.200	△	759551641100		INVERTERMODUL (XRF)	INVERTERBOARD (XRF)	
021.000		759551611500		INVERTERKABEL 230 MM	INVERTER CABLE 230 MM	
022.000	△	759551343100		NETZKABEL 180CM	POWER CABLE 180CM	
023.000	△	275990312800		LP-NETZTEILMOD.175W 2011 SLIM TV PSU	POWER BOARD 175W 2011 SLIM TV PSU	
025.000	△	275991179100	X	CHASSISMODUL TP (LEJ)	CHASSIS BOARD TP (LEJ)	
027.000	△	720117226300		FERNBEDIENUNG TP7	REMOTE CONTROL TP7	
028.000		720117145300		FERNBEDIENUNG TP EASY SCHWARZ	REMOTE CONTROL TP EASY BLACK	
029.000		759551649400		BEDIENMODUL (VSC)	KEYBOARD (VSC)	
030.000		759551057800		TASTSCHALTER	KEY SWITCH	
031.000		759551649500		IR/LED MODUL (VNR)	IR/LED BOARD (VNR)	
032.000		759551544900		IR-EMFPAENGER TSOP35436TT	IR-RECEIVER TSOP35436TT	
033.000		759551549100		LED-SMD 1206 BLAU 250MCD 3.3V	LED-SMD 1206 BLUE 250MCD 3.3V	
038.000		759551649600		WIFI MODUL	WIFI BOARD	
090.000		759551693700		KARTON 46	CARTON 46	
091.000		759551693600		POLSTER 4 TEILIG	CUSHION 4 PARTS	
				DIE BEDIENUNGSANLEITUNG KOENNEN SIE IM INTERNET UNTER FOLGENDER ADRESSE ABRUFEN: WWW.GRUNDIG.DE MENU: DOWNLOADS	THE INSTRUCTION MANUAL CAN BE DOWNLOADED FROM THE INTERNET UNDER THE FOLLOWING ADDRESS: WWW.GRUNDIG.DE MENU: DOWNLOADS	
		720100558000		SERVICE MANUAL D/GB	SERVICE MANUAL D/GB	
		720100558200		SERVICE MANUAL D/GB 3. ERGAENZUNG	SERVICE MANUAL D/GB SUPPLEMENT 3	
		720108000001		SICHERHEITSMANUAL D/GB/E/F/I X = SIEHE GESONDERTE E-LISTE	SAFETY SERVICE MANUAL D/GB/E/F/I X = SEE SEPARATE PARTS LIST	

Es gelten die Vorschriften und Sicherheitshinweise gemäß dem Service Manual "Sicherheit", Mat.-Nummer 720108000001, sowie zusätzlich die eventuell abweichenden, landesspezifischen Vorschriften!



The regulations and safety instructions shall be valid as provided by the "Safety" Service Manual, part number 720108000001, as well as the respective national deviations.

ÄNDERUNGEN VORBEHALTEN / SUBJECT TO ALTERATION

Ersatzteilliste  
Spare Parts List

NUR FÜR INTERNEN GEBRAUCH  
FOR INTERNAL USE ONLY

TV

4 / 2012

ROM 46 CLE 8270 BP

POS. NR. POS. NO.	ABB. FIG.	MATERIAL-NR. PART NUMBER	ANZ. QTY.	BEZEICHNUNG (D)	BESTELL-NR. / ORDER NO.: KSE000 (KSE)	DESCRIPTION (GB)			
		KSE000		Rom 46 CLE 8270 BP PRODUKTCODE KSE KEIN E-TEIL	Rom 46 CLE 8270 BP PRODUCT CODE KSE NO SPARE PART				
				<b>Hinweis:</b> Sollte in dieser Ersatzteilliste Ihr "Product Code" oder Ihre Display-Variante nicht aufgeführt sein, finden Sie eine aktualisierte Version auf dem GRUNDIG Service-Portal " <a href="http://service.grundig.de">http://service.grundig.de</a> ".	<b>Note:</b> If your "Product Code" or display variant is not mentioned in the spare parts list, please look for a current version at the GRUNDIG service portal " <a href="http://service.grundig.de">http://service.grundig.de</a> ".				
001.000		759551627700		GEH.- VORDERTEIL SCHWARZ	FRONT CABINET BLACK	001.000	759551669600	GEH.- VORDERTEIL SCHWARZ	FRONT CABINET BLACK
002.000		759551634700		RUECKWAND SCHWARZ	BACK COVER BLACK	002.000	759551669700	RUECKWAND SCHWARZ	BACK COVER BLACK
004.000		759551654700		VESA RUECKWANDSCHRAUBE	VESA BACKCOVER SCREW	003.000	759551673300	NETZKABEL ABDECKUNG SCHWARZ	POWER CORD COVER BLACK
005.000		759551627900		STANDFUSS SCHWARZ	STAND FOOT BLACK	005.000	759551687900	STANDFUSS SCHWARZ	STAND FOOT BLACK
007.000		759551626000		KNOPF PROG/ON-OFF SCHWARZ	KNOB PROG/ON-OFF SCHWARZ	007.000	759551626000	KNOPF PROG/ON-OFF SCHWARZ	KNOB PROG/ON-OFF SCHWARZ
015.000		759551614100		LAUTSPRECHER 8R 10/13,5W 30x193	SPEAKER 8R 10/13,5W 30x193	015.000	759551669900	LAUTSPRECHER LINKS 15/20 W	SPEAKER LEFT 15/20W
017.000		759551622400		LAUTSPR. WOOFER 16R 5/7W 71x71	SPEAKER WOOFER 16R 5/7W 71x71	016.000	759551670000	LAUTSPRECHER RECHTS 15/20 W	SPEAKER RIGHT 15/20W
018.000		759551600400		KABEL DISPLAY-LVDS 500 MM	CABLE DISPLAY-LVDS 500 MM	019.000	759551465100	KABEL DISPLAY-LVDS 400MM	CABLE DISPLAY-LVDS 400MM
019.000		759551622600		KABEL LVDS 41 P 500MM	CABLE LVDS 41 P 500MM	020.000	△ 056K55-LP2	LCD-DISPLAY LC550EUD-SEF3 TM200 3D KEIN ERSATZTEIL	LCD-DISPLAY LC550EUD-SEF3 TM200 3D NO SPARE PART
020.000	△	759551650800		LCD-DISPLAY SS LTA460HQ12-Q03	LCD-DISPLAY SS LTA460HQ12-Q03	020.100	△ 759551671000	T-CON MODUL (XYT)	T-CON BOARD (XZE)
020.100	△	759551650900		T-CON MODUL (XYT)	T-CON BOARD (XYT)	020.200	△ 759551671100	INVERTERMODUL (XRF)	INVERTERBOARD (XRU)
020.200	△	759551641100		INVERTERMODUL (XRF)	INVERTERBOARD (XRF)	021.000	759551611500	INVERTERKABEL 230 MM	INVERTER CABLE 230 MM
021.000	△	759551611500		INVERTERKABEL 230 MM	INVERTER CABLE 230 MM	022.000	△ 759551343100	NETZKABEL 180CM	POWER CABLE 180CM
022.000	△	759551343100		NETZKABEL 180CM	POWER CABLE 180CM	022.000	△ 759551343100	NETZKABEL 180CM	POWER CABLE 180CM
023.000	△	275990312800		NETZTEILMOD. 175W 2011 PSU	POWER BOARD 175W 2011 PSU	023.000	△ 275990314000	NETZTEILMOD. 219W REWORK	POWER BOARD 219W REWORK
025.000	△	275991164800	X	CHASSISMODUL TP (KSE)	CHASSIS BOARD TP (KSE)	025.000	△ 275991176900	CHASSISMODUL TP (LCL)	CHASSIS BOARD TP (LCL)
027.000		720117226300		FERNBEDIENUNG TP7	REMOTE CONTROL TP7	027.000	720117226400	FERNBEDIENUNG TP8	REMOTE CONTROL TP8
028.000		720117145300		FERNBEDIENUNG TP EASY SCHWARZ	REMOTE CONTROL TP EASY BLACK	028.000	720117145300	FERNBEDIENUNG TP EASY SCHWARZ	REMOTE CONTROL TP EASY BLACK
029.000		759551649400		BEDIENMODUL (VSC)	KEYBOARD (VSC)	029.000	759551649400	BEDIENMODUL (VSC)	KEYBOARD (VSC)
030.000		759551057800		TASTSCHALTER	KEY SWITCH	030.000	759551057800	TASTSCHALTER	KEY SWITCH
031.000		759551649500		IR/LED MODUL (VNR)	IR/LED BOARD (VNR)	031.000	759551670300	IR/LED MODUL (VVA)	IR/LED BOARD (VVA)
032.000		759551544900		IR-EMPFÄNGER TSOP35436TT	IR-RECEIVER TSOP35436TT	032.000	759551670400	IR-EMPFÄNGER TSOP85438AP5	IR RECEIVER TSOP85438AP5
033.000		759551549100		LED-SMD 1206 BLAU 250MCD 3.3V	LED-SMD 1206 BLUE 250MCD 3.3V	033.000	759551549100	LED-SMD 1206 BLAU 250MCD 3.3V	LED-SMD 1206 BLUE 250MCD 3.3V
034.000		759551650600		3D-EMITTER MODUL	3D-EMITTER BOARD	090.000	759551687700	KARTON 55	CARTON 55
038.000		759551649600		WIFI MODUL	WIFI BOARD	091.000	759551687800	POLSTER 6 TEILIG	CUSHION 6 PARTS
090.000		759551620100		KARTON 46 LED	CARTON 46 LED				
091.000		759551634500		POLSTER OBEN	CUSHION TOP				
092.000		759551620200		POLSTER OBEN	CUSHION TOP				
093.000		759551620300		POLSTEN UNTEN	CUSHION BOTTOM				
094.000		759551634600		POLSTER UNTEN	CUSHION BOTTOM				
				DIE BEDIENUNGSANLEITUNG KOENNEN SIE IM INTERNET UNTER FOLGENDER ADRESSE ABRUFEN: WWW.GRUNDIG.DE MENU: DOWNLOADS	THE INSTRUCTION MANUAL CAN BE DOWNLOADED FROM THE INTERNET UNDER THE FOLLOWING ADDRESS: WWW.GRUNDIG.DE MENU: DOWNLOADS		720100558000 720100558200 720108000001	SERVICE MANUAL D/GB SERVICE MANUAL D/GB 3. ERGAENZUNG SICHERHEITSMANUAL D/GB/E/F/I	SERVICE MANUAL D/GB SERVICE MANUAL D/GB SUPPLEMENT 3 SAFETY SERVICE MANUAL D/GB/E/F/I
				X = SIEHE GESONDERTE E-LISTE	X = SEE SEPARATE PARTS LIST			X = SIEHE GESONDERTE E-LISTE	X = SEE SEPARATE PARTS LIST

75

Es gelten die Vorschriften und Sicherheitshinweise gemäß dem Service Manual "Sicherheit", Mat.-Nummer 720108000001, sowie zusätzlich die eventuell abweichenden, landesspezifischen Vorschriften!



The regulations and safety instructions shall be valid as provided by the "Safety" Service Manual, part number 720108000001, as well as the respective national deviations.

ÄNDERUNGEN VORBEHALTEN / SUBJECT TO ALTERATION

Ersatzteilliste  
Spare Parts List

NUR FÜR INTERNEN GEBRAUCH  
FOR INTERNAL USE ONLY

TV

9 / 2012

SYDNEY 55 CLE 9275 BL

POS. NR. POS. NO.	ABB. FIG.	MATERIAL-NR. PART NUMBER	ANZ. QTY.	BEZEICHNUNG (D)	BESTELL-NR. / ORDER NO.: LCS000 (LCS)	DESCRIPTION (GB)			
		LCS000		Sydney 55 CLE 9275 BL PRODUKTCODE LCS KEIN E-TEIL	Sydney 55 CLE 9275 BL PRODUCT CODE LCS NO SPARE PART				
				<b>Hinweis:</b> Sollte in dieser Ersatzteilliste Ihr "Product Code" oder Ihre Display-Variante nicht aufgeführt sein, finden Sie eine aktualisierte Version auf dem GRUNDIG Service-Portal " <a href="http://service.grundig.de">http://service.grundig.de</a> ".	<b>Note:</b> If your "Product Code" or display variant is not mentioned in the spare parts list, please look for a current version at the GRUNDIG service portal " <a href="http://service.grundig.de">http://service.grundig.de</a> ".				
001.000		759551669600		GEH.- VORDERTEIL SCHWARZ	FRONT CABINET BLACK	001.000	759551669600	GEH.- VORDERTEIL SCHWARZ	FRONT CABINET BLACK
002.000		759551669700		RUECKWAND SCHWARZ	BACK COVER BLACK	002.000	759551669700	RUECKWAND SCHWARZ	BACK COVER BLACK
003.000		759551673300		NETZKABEL ABDECKUNG SCHWARZ	POWER CORD COVER BLACK	003.000	759551673300	NETZKABEL ABDECKUNG SCHWARZ	POWER CORD COVER BLACK
005.000		759551687900		STANDFUSS SCHWARZ	STAND FOOT BLACK	005.000	759551687900	STANDFUSS SCHWARZ	STAND FOOT BLACK
007.000		759551626000		KNOPF PROG/ON-OFF SCHWARZ	KNOB PROG/ON-OFF SCHWARZ	007.000	759551626000	KNOPF PROG/ON-OFF SCHWARZ	KNOB PROG/ON-OFF SCHWARZ
015.000		759551669900		LAUTSPRECHER LINKS 15/20 W	SPEAKER LEFT 15/20W	015.000	759551669900	LAUTSPRECHER LINKS 15/20 W	SPEAKER LEFT 15/20W
016.000		759551670000		LAUTSPRECHER RECHTS 15/20 W	SPEAKER RIGHT 15/20W	016.000	759551670000	LAUTSPRECHER RECHTS 15/20 W	SPEAKER RIGHT 15/20W
019.000		759551465100		KABEL DISPLAY-LVDS 400MM	CABLE DISPLAY-LVDS 400MM	019.000	759551465100	KABEL DISPLAY-LVDS 400MM	CABLE DISPLAY-LVDS 400MM
020.000	△	056K55-LP2		LCD-DISPLAY LC550EUD-SEF3 TM200 3D KEIN ERSATZTEIL	LCD-DISPLAY LC550EUD-SEF3 TM200 3D NO SPARE PART	020.000	△ 056K55-LP2	LCD-DISPLAY LC550EUD-SEF3 TM200 3D KEIN ERSATZTEIL	LCD-DISPLAY LC550EUD-SEF3 TM200 3D NO SPARE PART
020.100	△	759551671000		T-CON MODUL (XZE)	T-CON BOARD (XZE)	020.100	△ 759551671000	T-CON MODUL (XZE)	T-CON BOARD (XZE)
020.200	△	759551671100		INVERTERMODUL (XRU)	INVERTERBOARD (XRU)	020.200	△ 759551671100	INVERTERMODUL (XRU)	INVERTERBOARD (XRU)
021.000	△	759551611500		INVERTERKABEL 230 MM	INVERTER CABLE 230 MM	021.000	759551611500	INVERTERKABEL 230 MM	INVERTER CABLE 230 MM
022.000	△	759551343100		NETZKABEL 180CM	POWER CABLE 180CM	022.000	△ 759551343100	NETZKABEL 180CM	POWER CABLE 180CM
023.000	△	275990314000		NETZTEILMOD. 219W REWORK	POWER BOARD 219W REWORK	023.000	△ 275990314000	NETZTEILMOD. 219W REWORK	POWER BOARD 219W REWORK
025.000	△	275991176900	X	CHASSISMODUL TP (LCL)	CHASSIS BOARD TP (LCL)	025.000	△ 275991176900	CHASSISMODUL TP (LCL)	CHASSIS BOARD TP (LCL)
027.000		720117226400		FERNBEDIENUNG TP8	REMOTE CONTROL TP8	027.000	720117226400	FERNBEDIENUNG TP8	REMOTE CONTROL TP8
028.000		720117145300		FERNBEDIENUNG TP EASY SCHWARZ	REMOTE CONTROL TP EASY BLACK	028.000	720117145300	FERNBEDIENUNG TP EASY SCHWARZ	REMOTE CONTROL TP EASY BLACK
029.000		759551649400		BEDIENMODUL (VSC)	KEYBOARD (VSC)	029.000	759551649400	BEDIENMODUL (VSC)	KEYBOARD (VSC)
030.000		759551057800		TASTSCHALTER	KEY SWITCH	030.000	759551057800	TASTSCHALTER	KEY SWITCH
031.000		759551670300		IR/LED MODUL (VVA)	IR/LED BOARD (VVA)	031.000	759551670300	IR/LED MODUL (VVA)	IR/LED BOARD (VVA)
032.000		759551670400		IR-EMPFÄNGER TSOP85438AP5	IR RECEIVER TSOP85438AP5	032.000	759551670400	IR-EMPFÄNGER TSOP85438AP5	IR RECEIVER TSOP85438AP5
033.000		759551549100		LED-SMD 1206 BLAU 250MCD 3.3V	LED-SMD 1206 BLUE 250MCD 3.3V	033.000	759551549100	LED-SMD 1206 BLAU 250MCD 3.3V	LED-SMD 1206 BLUE 250MCD 3.3V
090.000		759551687700		KARTON 55	CARTON 55	090.000	759551687700	KARTON 55	CARTON 55
091.000		759551687800		POLSTER 6 TEILIG	CUSHION 6 PARTS	091.000	759551687800	POLSTER 6 TEILIG	CUSHION 6 PARTS
				DIE BEDIENUNGSANLEITUNG KOENNEN SIE IM INTERNET UNTER FOLGENDER ADRESSE ABRUFEN: WWW.GRUNDIG.DE MENU: DOWNLOADS	THE INSTRUCTION MANUAL CAN BE DOWNLOADED FROM THE INTERNET UNDER THE FOLLOWING ADDRESS: WWW.GRUNDIG.DE MENU: DOWNLOADS		720100558000 720100558200 720108000001	SERVICE MANUAL D/GB SERVICE MANUAL D/GB 3. ERGAENZUNG SICHERHEITSMANUAL D/GB/E/F/I	SERVICE MANUAL D/GB SERVICE MANUAL D/GB SUPPLEMENT 3 SAFETY SERVICE MANUAL D/GB/E/F/I
				X = SIEHE GESONDERTE E-LISTE	X = SEE SEPARATE PARTS LIST			X = SIEHE GESONDERTE E-LISTE	X = SEE SEPARATE PARTS LIST

Es gelten die Vorschriften und Sicherheitshinweise gemäß dem Service Manual "Sicherheit", Mat.-Nummer 720108000001, sowie zusätzlich die eventuell abweichenden, landesspezifischen Vorschriften!



The regulations and safety instructions shall be valid as provided by the "Safety" Service Manual, part number 720108000001, as well as the respective national deviations.

ÄNDERUNGEN VORBEHALTEN / SUBJECT TO ALTERATION

POS. NR. POS. NO.	ABB. FIG.	MATERIAL-NR. PART NUMBER	ANZ. QTY.	BEZEICHNUNG (D)	DESCRIPTION (GB)
		LCU000		Sydney 55 CLE 9275 SL PRODUKTCODE LCU KEIN E-TEIL	Sydney 55 CLE 9275 SL PRODUCT CODE LCU NO SPARE PART
				<b>Hinweis:</b> Sollte in dieser Ersatzteilliste Ihr "Product Code" oder Ihre Display-Variante nicht aufgeführt sein, finden Sie eine aktualisierte Version auf dem GRUNDIG Service-Portal <a href="http://service.grundig.de">"http://service.grundig.de"</a> .	<b>Note:</b> If your "Product Code" or display variant is not mentioned in the spare parts list, please look for a current version at the GRUNDIG service portal <a href="http://service.grundig.de">"http://service.grundig.de"</a> .
001.000		759551690600		GEH.- VORDERTEIL SILBER	FRONT CABINET SILVER
002.000		759551690700		RUECKWAND SILBER	BACK COVER SILVER
003.000		759551673100		NETZKABEL ABDECKUNG SILBER	POWER CORD COVER SILVER
005.000		759551687600		STANDFUSS SILBER	STAND FOOT SILVER
007.000		759551633800		KNOPF PROG/ON-OFF SILBER	KNOB PROG/ON-OFF SILVER
015.000		759551669900		LAUTSPRECHER LINKS 15/20 W	SPEAKER LEFT 15/20W
016.000		759551670000		LAUTSPRECHER RECHTS 15/20 W	SPEAKER RIGHT 15/20W
019.000		759551465100		KABEL DISPLAY-LVDS 400MM	CABLE DISPLAY-LVDS 400MM
020.000	△	056K55-LP2		LCD-DISPLAY LC550EUD-SEF3 TM200 3D KEIN ERSATZTEIL	LCD-DISPLAY LC550EUD-SEF3 TM200 3D NO SPARE PART
020.100	△	759551671000		T-CON MODUL (XZE)	T-CON BOARD (XZE)
020.200	△	759551671100		INVERTERMODUL (XRU)	INVERTERBOARD (XRU)
021.000	△	759551611500		INVERTERKABEL 230 MM	INVERTER CABLE 230 MM
022.000	△	759551343100		NETZKABEL 180CM	POWER CABLE 180CM
023.000	△	275990314000		NETZTEILMOD. 219W REWORK	POWER BOARD 219W REWORK
025.000	△	275991176900	X	CHASSISMODUL TP (LCL)	CHASSIS BOARD TP (LCL)
027.000		720117226200		FERNBEDIENUNG TP9	REMOTE CONTROL TP9
028.000		720117145400		FERNBEDIENUNG TP EASY WEISS	REMOTE CONTROL TP EASY WHITE
029.000		759551649400		BEDIENMODUL (VSC)	KEYBOARD (VSC)
030.000		759551057800		TASTSCHALTER	KEY SWITCH
031.000		759551670300		IR/LED MODUL (VVA)	IR/LED BOARD (VVA)
032.000		759551670400		IR-EMPFAENGER TSOP85438AP5	IR RECEIVER TSOP85438AP5
033.000		759551549100		LED-SMD 1206 BLAU 250MCD 3.3V	LED-SMD 1206 BLUE 250MCD 3.3V
090.000		759551687700		KARTON 55	CARTON 55
091.000		759551687800		POLSTER 6 TEILIG	CUSHION 6 PARTS
				DIE BEDIENUNGSANLEITUNG KOENNEN SIE IM INTERNET UNTER FOLGENDER ADRESSE ABRUFEN: WWW.GRUNDIG.DE MENU: DOWNLOADS	THE INSTRUCTION MANUAL CAN BE DOWNLOADED FROM THE INTERNET UNDER THE FOLLOWING ADDRESS: WWW.GRUNDIG.DE MENU: DOWNLOADS
		720100558000		SERVICE MANUAL D/GB	SERVICE MANUAL D/GB
		720100558200		SERVICE MANUAL D/GB 3. ERGAENZUNG	SERVICE MANUAL D/GB SUPPLEMENT 3
		720108000001		SICHERHEITSMANUAL D/GB/E/F/I	SAFETY SERVICE MANUAL D/GB/E/F/I
				X = SIEHE GESONDERTE E-LISTE	X = SEE SEPARATE PARTS LIST

76

Es gelten die Vorschriften und Sicherheitshinweise gemäß dem Service Manual "Sicherheit", Mat.-Nummer 720108000001, sowie zusätzlich die eventuell abweichenden, landesspezifischen Vorschriften!



The regulations and safety instructions shall be valid as provided by the "Safety" Service Manual, part number 720108000001, as well as the respective national deviations.

ÄNDERUNGEN VORBEHALTEN / SUBJECT TO ALTERATION

## Ersatzteilliste / Spare Parts List

NUR FÜR INTERNEN GEBRAUCH / FOR INTERNAL USE ONLY

TV

08 / 2014

CHASSISMODUL / CHASSIS BOARD TP

Pos.	Part Number	Description	Chassis TP										
			PCB-Code	275991158900	275991159000	275991163100	275991163600	275991164300	275991164500	275991164800	275991166300	275991169000	275991172900
			KKG	KKH	KCM	KDX	B89	KSG	KSE	KSJ	KET	KWA	
D806	759551262400	DIODE PMEG4010EH SOD123			X				X				
D808	759551262400	DIODE PMEG4010EH SOD123			X				X				
F001	759551615000	FUSE-SMD 4A 32V 0603 FAST ACT	X	X	X	X	X	X	X	X	X	X	
	759551700600	FUSE-SMD 4A 63V 0603 FAST ACT			X	X	X	X	X	X	X	X	
IC100	759551615100	IC-SMD M5D3819TX-UQJ LFBGA	X	X	X	X	X	X	X	X	X	X	
IC101	759551615200	IC-SMD TC58NVG1S3ETA00B3Q TSOP48	X	X	X	X	X	X	X	X	X	X	
IC105	759551605500	IC-SMD M24C32-WMNP6T-P/C SO8	X	X	X	X	X	X	X	X	X	X	
	759551725500	IC-SMD AT24C32D-SSHMT-T SOIC8											
IC106	759551561000	IC-SMD APX812-29UG-7	X	X	X	X	X	X	X	X	X	X	
IC108	759551560900	IC-SMD W25016BVSSIG	X	X	X	X	X	X	X	X	X	X	
IC201	759551615700	IC-SMD K4B161646G-BCK0T00 FBGA	X	X	X	X	X	X	X	X	X	X	
	759551696600	IC-SMD K4B261646E-BCK0 FBGA											
IC202	759551615700	IC-SMD K4B161646G-BCK0T00 FBGA	X	X	X	X	X	X	X	X	X	X	
IC300	759551606500	IC-SMD XC6221A252GR-G USP-4	X	X	X	X	X	X	X	X	X	X	
IC302	759551587000	IC-SMD IP101ALF LQFP48	X	X	X	X	X	X	X	X	X	X	
IC303	759551618200	IC-SMD W25X10BVSNIG SOIC8											
IC304	759551618400	IC-SMD M581231-LF LQFP64DATE1051											
IC305	759551615300	IC-SMD STV0903BAC LQFP128			X		X		X		X	X	
IC306	759551615400	IC-SMD STV6110AT VFOFPN32							X		X	X	
IC307	759551480500	IC-SMD AP7173FNG-7 DFN3030-10			X		X		X		X	X	
IC308	759551502800	IC-SMD AP2171WG-7 SOT23-5	X	X	X	X	X	X	X	X	X	X	
IC400	759551468300	IC-SMD 74LVC1G66GW 165 TSSOP5	X	X	X	X	X	X	X	X	X	X	
IC402	759551502800	IC-SMD AP2171WG-7 SOT23-5	X	X	X	X	X	X	X	X	X	X	
IC403	759551498600	IC-SMD NCT5208P5X SOT353	X	X	X	X	X	X	X	X	X	X	
IC500	759551606100	IC-SMD MAX9728AETC+	X	X	X	X	X	X	X	X	X	X	
IC501	759551607900	IC-SMD STA339BWTR POWERSO-36	X	X	X	X	X	X	X	X	X	X	
IC502	759551605900	IC-SMD AP432SRG-7 SOT23R	X	X	X	X	X	X	X	X	X	X	
IC503	759551607900	IC-SMD STA339BWTR POWERSO-36	X	X	X	X	X	X	X	X	X	X	
IC600	759551606200	IC-SMD TP554226RGTR OFN	X	X	X	X	X	X	X	X	X	X	
IC601	759551502800	IC-SMD AP2171WG-7 SOT23-5	X	X	X	X	X	X	X	X	X	X	
IC602	759551606500	IC-SMD XC6221A252GR-G USP-4	X	X	X	X	X	X	X	X	X	X	
IC603	759551606400	IC-SMD XC6222D501ER-G USP-6C	X	X	X	X	X	X	X	X	X	X	
IC604	759551606200	IC-SMD TP554226RGTR OFN	X	X	X	X	X	X	X	X	X	X	
IC605	759551606200	IC-SMD TP554226RGTR OFN	X	X	X	X	X	X	X	X	X	X	
IC606	759551606200	IC-SMD TP554226RGTR OFN	X	X	X	X	X	X	X	X	X	X	
IC607	759551528800	IC-SMD AP2151WG-7	X	X	X	X	X	X	X	X	X	X	
	759551500600	IC-SMD STMP52151STR SOT23-5											
IC608	759551606200	IC-SMD TP554226RGTR OFN	X	X	X	X	X	X	X	X	X	X	
IC609	759551502800	IC-SMD AP2171WG-7 SOT23-5	X	X	X	X	X	X	X	X	X	X	
IC610	759551502800	IC-SMD AP2171WG-7 SOT23-5	X	X	X	X	X	X	X	X	X	X	
IC611	759551498600	IC-SMD NCT5208P5X SOT353	X	X	X	X	X	X	X	X	X	X	
IC612	759551615500	IC-SMD LNBX23LQTR QFN32			X				X		X	X	
IC614	759551628900	IC-SMD USB2412-DZK-TR QFN28	X		X	X	X	X	X	X	X	X	
IC615	759551606200	IC-SMD TP554226RGTR OFN	X	X	X	X	X	X	X	X	X	X	
IC700	759551606600	IC-SMD CAT24C02TDI-GT3A TSOT23-5	X	X	X	X	X	X	X	X	X	X	
IC701	759551606600	IC-SMD CAT24C02TDI-GT3A TSOT23-5	X	X	X	X	X	X	X	X	X	X	
IC703	759551606600	IC-SMD CAT24C02TDI-GT3A TSOT23-5	X	X	X	X	X	X	X	X	X	X	
IC704	759551606600	IC-SMD CAT24C02TDI-GT3A TSOT23-5	X	X	X	X	X	X	X	X	X	X	
IC800	759551615600	IC-SMD MS17398R-LF LFBGA	X	X	X	X	X	X	X	X	X	X	
IC801	759551615700	IC-SMD K4B161646G-BCK0T00 FBGA	X	X	X	X	X	X	X	X	X	X	
IC804	759551551200	IC-SMD W25Q80BVSSIG	X	X	X	X	X	X	X	X	X	X	
IC805	759551498600	IC-SMD NCT5208P5X SOT353	X	X	X	X	X	X	X	X	X	X	
IC900	759551606100	IC-SMD MAX9728AETC+	X	X	X	X	X	X	X	X	X	X	
IC901	759551606600	IC-SMD CAT24C02TDI-GT3A TSOT23-5	X	X	X	X	X	X	X	X	X	X	
IC902	759551606100	IC-SMD MAX9728AETC+	X	X	X	X	X	X	X	X	X	X	
J301	759551615800	CON F-TYPE 21.5MM			X		X		X		X	X	
	759551699600	CON F-TYPE 21.5MM SPRING T. V.											
L102	759551364700	FERRIT CHIP SBY100505T-102Y-N/0402	X	X	X	X	X	X	X	X	X	X	
L104	759551364700	FERRIT CHIP SBY100505T-102Y-N/0402	X	X	X	X	X	X	X	X	X	X	
L307	759551364700	FERRIT CHIP SBY100505T-102Y-N/0402	X	X	X	X	X	X	X	X	X	X	
L322	759551364700	FERRIT CHIP SBY100505T-102Y-N/0402	X	X	X	X	X	X	X	X	X	X	
L323	759551615900	COIL-SMD 27NH J 0.5A 0805			X				X		X	X	
L400	759551364700	FERRIT CHIP SBY100505T-102Y-N/0402	X	X	X	X	X	X	X	X	X	X	
L401	759551562400	SMD SPULE 1UH	X	X	X	X	X	X	X	X	X	X	
L402	759551562300	SMD SPULE 22UH 0.47A	X	X	X	X	X	X	X	X	X	X	
L404	759551364700	FERRIT CHIP SBY100505T-102Y-N/0402	X	X	X	X	X	X	X	X	X	X	
L501	759551606700	FERRITE BEAD-CHIP 120R/3A/1206	X	X	X	X	X	X	X	X	X	X	
L502	759551562500	SMD SPULE 22UH 1.9A	X	X	X	X	X	X	X	X	X	X	
L503	759551562500	SMD SPULE 22UH 1.9A	X	X	X	X	X	X	X	X	X	X	
L504	759551562500	SMD SPULE 22UH 1.9A	X	X	X	X	X	X	X	X	X	X	
L505	759551562500	SMD SPULE 22UH 1.9A	X	X	X	X	X	X	X	X	X	X	
L506	759551606700	FERRITE BEAD-CHIP 120R/3A/1206	X	X	X	X	X	X	X	X	X	X	
L507	759551562500	SMD SPULE 22UH 1.9A	X	X	X	X	X	X	X	X	X	X	
L508	759551562500	SMD SPULE 22UH 1.9A	X	X	X	X	X	X	X	X	X	X	
L601	759551561300	SMD SPULE 3.3UH 2A	X	X	X	X	X	X	X	X	X	X	
L602	759551364700	FERRIT CHIP SBY100505T-102Y-N/0402	X	X	X	X	X	X	X	X	X	X	
L604	759551561300	SMD SPULE 3.3UH 2A	X	X	X	X	X	X	X	X	X	X	
L606	759551561300	SMD SPULE 3.3UH 2A	X	X	X	X	X	X	X	X	X	X	
L610	759551561400	SMD SPULE 3UH %30 5A	X	X	X	X	X	X	X	X	X	X	
L612	759551561400	SMD SPULE 3UH %30 5A	X	X	X	X	X	X	X	X	X	X	
L613	759551562500	SMD SPULE 22UH 1.9A	X	X	X	X	X	X	X	X	X	X	
L619	759551561300	SMD SPULE 3.3UH 2A	X	X	X	X	X	X	X	X	X	X	
L900	759551364700	FERRIT CHIP SBY100505T-102Y-N/0402	X	X	X	X	X	X	X	X	X	X	
L901	759551364700	FERRIT CHIP SBY100505T-102Y-N/0402	X	X	X	X	X	X	X	X	X	X	
S300	759551616000	CON RJ45MAG TS-20001-1 DIK	X	X	X	X	X	X	X	X	X	X	
S400	759551406100	PCMCIA VERBINDER 1857246-1 TYCO	X	X	X	X	X	X	X	X	X	X	
	759551743300	PCMCIA VERBINDER LANG											
S500	759551175900	BUCHSE KOPFHOERER STEREO	X	X	X	X	X	X	X	X	X	X	
S602	759551765300	KON-SMD 3PIN 1.5MM DISI YATIK											
S603	759551561500	CONN. USB-001-A HORIZONTAL	X	X	X	X	X	X	X	X	X	X	
	759551661800	CONN. USB-001-A HORIZONTAL											
S604	759551616100	CONN. USB-A 13MM FEMALE DIK	X	X	X	X	X	X	X	X	X	X	
	759551561500	CONN. USB-001-A HORIZONTAL	X	X	X	X	X	X	X	X	X	X	
S610	759551661800	CONN. USB-001-A HORIZONTAL											
S700	759551606900	CON-SMD HDMI 13MM VERT.	X	X	X	X	X	X	X	X	X	X	
S701	759551606900	CON-SMD HDMI 13MM VERT.	X	X	X	X	X	X	X	X	X	X	
S702	759551606900	CON-SMD HDMI 13MM VERT.	X	X	X	X	X	X	X	X	X	X	
S703	759551498700	CON.500254-1927 MOLEX HDMI	X	X	X	X	X	X	X	X	X	X	
S900	759551616200	CON SCART LOCK VERT.	X	X	X	X	X	X	X	X	X	X	
S906	759551561700	CONN. OPT JACK TOSLINK-TX	X	X	X	X	X	X	X	X	X	X	
S907	759551501300	BUCHSE VGA (DSUB15)	X	X	X	X	X	X	X	X	X	X	
S909	759551501200	KOPFHOERERBU. 3.5MM STEREO	X	X	X	X	X	X	X	X	X	X	
SAW400	759551500100	FILTER SAW HDV389A7DC SIP5DC	X	X	X	X	X	X	X	X	X	X	
SAW401	759551500200	FILTER SAW HDV389A1DC-OFW K3953M	X	X	X	X	X	X	X	X	X	X	
T300	759551616300	TRN-SMD DMN2004DWK-7 20V			X		X		X		X	X	
T301	759551616400	TRN-SMD BFG425W 4.5V 30MA SOT343R			X		X		X		X	X	
T402	759551098100	TRANS BF799W	X	X	X	X	X	X	X	X	X	X	
T404	759551098200	TRANS BC847BPDW1T	X	X	X	X	X	X	X	X	X	X	
T603	759551098200	TRANS BC847BPDW1T	X	X	X	X	X	X	X	X	X	X	
T604	759551388500	TRANS-CHIP PMV65XP P-CH	X	X	X	X	X	X	X	X	X	X	
T605	759551098300	TRANS BC847BDW1T1	X	X	X	X	X	X	X	X	X	X	
T701	759551098300	TRANS BC847BDW1T1	X	X	X	X	X	X	X	X	X	X	
T702	759551098300	TRANS BC847BDW1T1	X	X	X	X	X	X	X	X	X	X	
T703	759551098300	TRANS BC847BDW1T1	X	X	X	X	X	X	X	X	X	X	
T900	759551098200	TRANS BC847BPDW1T	X	X	X	X	X	X	X	X	X	X	
TU400	759551607000	TUN HYB TDAG8-D11A DIK IEC ALPS	X	X	X	X	X	X	X	X	X	X	
X100	759551562100	QUARZ-CHIP 24MHZ	X	X	X	X	X	X	X	X	X	X	
X301	759551586000	KRS-SMD 25MHZ 12PF-15/20	X	X	X	X	X	X	X	X	X	X	
X302	759551562100	QUARZ-CHIP 24MHZ			X				X				

Ersatzteilliste / Spare Parts List - Chassis TP

Pos.	Part Number	Description	Chassis TP											
			PCB-Code	LCL	KWW	CMC	LDJ	LEJ	LEL	BZN	LEZ	KXS		
D806	759551262400	DIODE PMEG4010EH SOD123		X		X			X	X	X	X	X	
D808	759551262400	DIODE PMEG4010EH SOD123		X		X			X	X	X	X	X	
F01	759551615000	FUSE-SMD 4A 32V 0603 FAST ACT		X	X	X		X		X	X	X	X	X
	759551730600	FUSE-SMD 4A 63V 0603 FAST ACT		X		X				X	X	X	X	X
IC100	759551615100	IC-SMD MSD3819TX-UQJ LFBGA		X	X	X		X	X	X	X	X	X	X
IC101	759551615200	IC-SMD TC58NVG1S3ETA00B3Q TSOP48		X	X	X		X	X	X	X	X	X	X
IC105	759551605500	IC-SMD M24C32-WMN6TP-P/C SO8		X	X	X		X	X	X	X	X	X	X
IC106	759551725500	IC-SMD AT24C32D-SSHMT-T SOIC8		X		X				X	X	X	X	X
	759551561000	IC-SMD APX812-29UG-7		X	X	X		X	X	X	X	X	X	X
IC108	759551560900	IC-SMD W25016BVSSIG		X	X	X		X	X	X	X	X	X	X
IC201	759551615700	IC-SMD K4B1G1646G-BCK0T00 FBGA		X	X	X		X	X	X	X	X	X	X
	759551696600	IC-SMD K4B2G1646E-BCK0 FBGA		X	X	X		X	X	X	X	X	X	X
IC202	759551615700	IC-SMD K4B1G1646G-BCK0T00 FBGA		X	X	X		X	X	X	X	X	X	X
IC300	759551606500	IC-SMD XC6221A252GR-G USP-4		X	X	X		X	X	X	X	X	X	X
IC302	759551587000	IC-SMD IP101ALF LQFP48		X	X	X		X	X	X	X	X	X	X
IC303	759551618200	IC-SMD W25X10BVSNIQ SOIC8		X		X				X	X	X	X	X
IC304	759551618400	IC-SMD MSB1231-LF LQFP64DATE1051		X		X				X	X	X	X	X
IC305	759551615300	IC-SMD STV0903BAC LQFP128		X		X			X	X	X	X	X	X
IC306	759551615400	IC-SMD STV6110AT VFOFPN32		X		X			X	X	X	X	X	X
IC307	759551480500	IC-SMD AP7173FNG-7 DFN3030-10		X		X			X	X	X	X	X	X
IC308	759551502800	IC-SMD AP2171WG-7 SOT23-5		X	X	X		X	X	X	X	X	X	X
IC400	759551468300	IC-SMD 74LVC1G66GW 165 TSSOP5		X	X	X		X	X	X	X	X	X	X
IC402	759551502800	IC-SMD AP2171WG-7 SOT23-5		X	X	X		X	X	X	X	X	X	X
IC403	759551498600	IC-SMD NC7SZ08P5X SOT353		X	X	X		X	X	X	X	X	X	X
IC500	759551606100	IC-SMD MAX928AECT+		X	X	X		X	X	X	X	X	X	X
IC501	759551607900	IC-SMD STA339BWTR POWERSSO-36		X	X	X		X	X	X	X	X	X	X
IC502	759551605900	IC-SMD AP432SRG-7 SOT23R		X	X	X		X	X	X	X	X	X	X
IC503	759551607900	IC-SMD STA339BWTR POWERSSO-36		X	X	X		X	X	X	X	X	X	X
IC600	759551606200	IC-SMD TPS54226RGRTR OFN		X	X	X		X	X	X	X	X	X	X
IC601	759551502800	IC-SMD AP2171WG-7 SOT23-5		X	X	X		X	X	X	X	X	X	X
IC602	759551606500	IC-SMD XC6221A252GR-G USP-4		X	X	X		X	X	X	X	X	X	X
IC603	759551606400	IC-SMD XC6222D501ER-G USP-6C		X	X	X		X	X	X	X	X	X	X
IC604	759551606200	IC-SMD TPS54226RGRTR OFN		X	X	X		X	X	X	X	X	X	X
IC605	759551606200	IC-SMD TPS54226RGRTR OFN		X	X	X		X	X	X	X	X	X	X
IC606	759551606200	IC-SMD TPS54226RGRTR OFN		X	X	X		X	X	X	X	X	X	X
IC607	759551528800	IC-SMD AP2151WG-7		X	X	X		X	X	X	X	X	X	X
	759551500600	IC-SMD STMP52151STR SOT23-5		X		X				X	X	X	X	X
IC608	759551606200	IC-SMD TPS54226RGRTR OFN		X	X	X		X	X	X	X	X	X	X
IC609	759551502800	IC-SMD AP2171WG-7 SOT23-5		X	X	X		X	X	X	X	X	X	X
IC610	759551502800	IC-SMD AP2171WG-7 SOT23-5		X	X	X		X	X	X	X	X	X	X
IC611	759551498600	IC-SMD NC7SZ08P5X SOT353		X	X	X		X	X	X	X	X	X	X
IC612	759551615500	IC-SMD LNBH23LQTR QFN32		X		X			X	X	X	X	X	X
IC614	759551628900	IC-SMD USB2412-D2K-TR QFN28		X	X	X		X	X	X	X	X	X	X
IC615	759551606200	IC-SMD TPS54226RGRTR OFN		X	X	X		X	X	X	X	X	X	X
IC700	759551606600	IC-SMD CAT24C02TDI-GT3A TSOT23-5		X	X	X		X	X	X	X	X	X	X
IC701	759551606600	IC-SMD CAT24C02TDI-GT3A TSOT23-5		X	X	X		X	X	X	X	X	X	X
IC703	759551606600	IC-SMD CAT24C02TDI-GT3A TSOT23-5		X	X	X		X	X	X	X	X	X	X
IC704	759551606600	IC-SMD CAT24C02TDI-GT3A TSOT23-5		X	X	X		X	X	X	X	X	X	X
IC800	759551615600	IC-SMD MS17398R-LF LFBGA		X	X	X		X	X	X	X	X	X	X
IC801	759551615700	IC-SMD K4B1G1646G-BCK0T00 FBGA		X	X	X		X	X	X	X	X	X	X
IC804	759551551200	IC-SMD W25080BVSSIG		X	X	X		X	X	X	X	X	X	X
IC805	759551498600	IC-SMD NC7SZ08P5X SOT353		X	X	X		X	X	X	X	X	X	X
IC900	759551606100	IC-SMD MAX928AECT+		X	X	X		X	X	X	X	X	X	X
IC901	759551606600	IC-SMD CAT24C02TDI-GT3A TSOT23-5		X	X	X		X	X	X	X	X	X	X
IC902	759551606100	IC-SMD MAX928AECT+		X	X	X		X	X	X	X	X	X	X
J301	759551615800	CON F-TYPE 21.5MM		X		X			X	X	X	X	X	X
	759551699600	CON F-TYPE 21.5MM SPRING T. V.		X		X			X	X	X	X	X	X
L102	759551364700	FERRIT CHIP SBY100505T-102Y-N/0402		X		X			X	X	X	X	X	X
L104	759551364700	FERRIT CHIP SBY100505T-102Y-N/0402		X		X			X	X	X	X	X	X
L307	759551364700	FERRIT CHIP SBY100505T-102Y-N/0402		X		X			X	X	X	X	X	X
L322	759551364700	FERRIT CHIP SBY100505T-102Y-N/0402		X		X			X	X	X	X	X	X
L323	759551615900	COIL-SMD 27NH J 0.5A 0805		X		X			X	X	X	X	X	X
L400	759551364700	FERRIT CHIP SBY100505T-102Y-N/0402		X		X			X	X	X	X	X	X
L401	759551562400	SMD SPULE 1UH		X	X	X		X	X	X	X	X	X	X
L402	759551562300	SMD SPULE 22UH 0.47A		X	X	X		X	X	X	X	X	X	X
L404	759551364700	FERRIT CHIP SBY100505T-102Y-N/0402		X		X			X	X	X	X	X	X
L501	759551606700	FERRITE BEAD-CHIP 120R/3A/1206		X	X	X		X	X	X	X	X	X	X
L502	759551562500	SMD SPULE 22UH 1.9A		X	X	X		X	X	X	X	X	X	X
L503	759551562500	SMD SPULE 22UH 1.9A		X	X	X		X	X	X	X	X	X	X
L504	759551562500	SMD SPULE 22UH 1.9A		X	X	X		X	X	X	X	X	X	X
L505	759551562500	SMD SPULE 22UH 1.9A		X	X	X		X	X	X	X	X	X	X
L506	759551606700	FERRITE BEAD-CHIP 120R/3A/1206		X	X	X		X	X	X	X	X	X	X
L507	759551562500	SMD SPULE 22UH 1.9A		X	X	X		X	X	X	X	X	X	X
L508	759551562500	SMD SPULE 22UH 1.9A		X	X	X		X	X	X	X	X	X	X
L601	759551561300	SMD SPULE 3.3UH 2A		X	X	X		X	X	X	X	X	X	X
L602	759551364700	FERRIT CHIP SBY100505T-102Y-N/0402		X		X			X	X	X	X	X	X
L604	759551561300	SMD SPULE 3.3UH 2A		X	X	X		X	X	X	X	X	X	X
L606	759551561300	SMD SPULE 3.3UH 2A		X	X	X		X	X	X	X	X	X	X
L610	759551561400	SMD SPULE 3UH %30 5A		X	X	X		X	X	X	X	X	X	X
L612	759551561400	SMD SPULE 3UH %30 5A		X	X	X		X	X	X	X	X	X	X
L613	759551562500	SMD SPULE 22UH 1.9A		X	X	X		X	X	X	X	X	X	X
L619	759551561300	SMD SPULE 3.3UH 2A		X	X	X		X	X	X	X	X	X	X
L900	759551364700	FERRIT CHIP SBY100505T-102Y-N/0402		X		X			X	X	X	X	X	X
L901	759551364700	FERRIT CHIP SBY100505T-102Y-N/0402		X		X			X	X	X	X	X	X
S300	759551616000	CON RJ45MAG TS-20001-1 DIK		X	X	X		X	X	X	X	X	X	X
S400	759551406100	PCMCIA VERBINDER 1857246-1 TYCO		X	X	X		X	X	X	X	X	X	X
	759551743300	PCMCIA VERBINDER LANG		X		X			X	X	X	X	X	X
S500	759551175900	BUCHSE KOPFHOERER STEREO		X	X	X		X	X	X	X	X	X	X
S602	759551765300	KON-SMD 3PIN 1.5MM DISI YATIK		X		X			X	X	X	X	X	X
S603	759551561500	CONN. USB-001-A HORIZONTAL		X	X	X		X	X	X	X	X	X	X
	759551661800	CONN. USB-001-A HORIZONTAL		X	X	X		X	X	X	X	X	X	X
S604	759551616100	CON USB-A 13MM FEMALE DIK		X	X	X		X	X	X	X	X	X	X
S610	759551561500	CONN. USB-001-A HORIZONTAL		X	X	X		X	X	X	X	X	X	X
	759551661800	CONN. USB-001-A HORIZONTAL		X	X	X		X	X	X	X	X	X	X
S700	759551606900	CON-SMD HDMI 13MM VERT.		X	X	X		X	X	X	X	X	X	X
S701	759551606900	CON-SMD HDMI 13MM VERT.		X	X	X		X	X	X	X	X	X	X
S702	759551606900	CON-SMD HDMI 13MM VERT.		X	X	X</								

Ersatzteilliste / Spare Parts List - Chassis TP

Pos.	Part Number	Description	Chassis TP								
			PCB-Code	275991186900	275991188600	275991193000	275991196700	275991198800	275991198900	275991204100	275991206800
			LRC	LQF	LYB	MDB	LTR	E67	NDZ	NEJ	NQZ
D806	759551262400	DIODE PMEG4010EH SOD123				X		X	X		
D808	759551262400	DIODE PMEG4010EH SOD123				X		X	X		
F601	759551615000	FUSE-SMD 4A 32V 0603 FAST ACT	X	X							
	759551730600	FUSE-SMD 4A 63V 0603 FAST ACT									
IC100	759551615100	IC-SMD MSD3819TX-UQJ LFBGA	X	X	X	X	X	X	X	X	X
IC101	759551615200	IC-SMD TC58NVG1S3ETA00B3Q TSOP48	X	X	X	X	X	X	X	X	X
IC105	759551605500	IC-SMD M24C32-WMNMTP-P/C S08	X	X							
	759551725500	IC-SMD AT24C32D-SSHM-T SOIC8						X	X	X	X
IC106	759551561000	IC-SMD APX812-29UG-7	X	X	X	X	X	X	X	X	X
IC108	759551560900	IC-SMD W25016BVSSIG	X	X	X	X	X	X	X	X	X
IC201	759551615700	IC-SMD K4B1G1646G-BCK0T00 FBGA	X			X			X	X	X
	759551696600	IC-SMD K4B2G1646E-BCK0 FBGA		X	X					X	X
IC202	759551615700	IC-SMD K4B1G1646G-BCK0T00 FBGA	X	X	X	X	X	X	X	X	X
IC300	759551606500	IC-SMD XC6221A252GR-G USP-4				X			X	X	X
IC302	759551587000	IC-SMD IP101ALF LQFP48	X	X	X	X	X	X	X	X	X
IC303	759551618200	IC-SMD W25X10BVSNIG SOIC8	X								X
IC304	759551618400	IC-SMD MSB1231-LF LQFP64DATE1051	X								X
IC305	759551615300	IC-SMD STV0903BAC LQFP128				X		X	X		X
IC306	759551615400	IC-SMD STV6110AT VFOFPN32				X		X	X		X
IC307	759551480500	IC-SMD AP7173FNG-7 DFN3030-10				X		X	X		X
IC308	759551502800	IC-SMD AP2171WG-7 SOT23-5	X	X	X	X	X	X	X	X	X
IC400	759551468300	IC-SMD 74LVC1G66GW 165 TSSOP5	X	X	X	X	X	X	X	X	X
IC402	759551502800	IC-SMD AP2171WG-7 SOT23-5	X	X	X	X	X	X	X	X	X
IC403	759551498600	IC-SMD NC7SZ08P5X SOT353	X	X	X	X	X	X	X	X	X
IC500	759551606100	IC-SMD MAX928AECT+	X	X	X	X	X	X	X	X	X
IC501	759551607900	IC-SMD STA339BWTR POWERSSO-36	X	X	X	X	X	X	X	X	X
IC502	759551605900	IC-SMD AP432SRG-7 SOT23R	X	X	X	X	X	X	X	X	X
IC503	759551607900	IC-SMD STA339BWTR POWERSSO-36	X	X	X	X	X	X	X	X	X
IC600	759551606200	IC-SMD TPS54226RGRTR OFN	X	X	X	X	X	X	X	X	X
IC601	759551502800	IC-SMD AP2171WG-7 SOT23-5	X	X	X	X	X	X	X	X	X
IC602	759551606500	IC-SMD XC6221A252GR-G USP-4	X	X	X	X	X	X	X	X	X
IC603	759551606400	IC-SMD XC6222D501ER-G USP-6C	X	X	X	X	X	X	X	X	X
IC604	759551606200	IC-SMD TPS54226RGRTR OFN	X			X		X	X	X	X
IC605	759551606200	IC-SMD TPS54226RGRTR OFN	X	X	X	X	X	X	X	X	X
IC606	759551606200	IC-SMD TPS54226RGRTR OFN	X	X	X	X	X	X	X	X	X
IC607	759551528800	IC-SMD AP2151WG-7	X	X	X	X	X	X	X	X	X
	759551500600	IC-SMD STMP52151STR SOT23-5									
IC608	759551606200	IC-SMD TPS54226RGRTR OFN	X	X	X	X	X	X	X	X	X
IC609	759551502800	IC-SMD AP2171WG-7 SOT23-5	X	X	X	X	X	X	X	X	X
IC610	759551502800	IC-SMD AP2171WG-7 SOT23-5	X			X		X	X		X
IC611	759551498600	IC-SMD NC7SZ08P5X SOT353	X	X	X	X	X	X	X	X	X
IC612	759551615500	IC-SMD LNB2H3LQTR QFN32				X		X	X	X	X
IC614	759551628900	IC-SMD USB2412-DZK-TR QFN28	X				X	X	X		
IC615	759551606200	IC-SMD TPS54226RGRTR OFN	X	X	X	X	X	X	X	X	X
IC700	759551606600	IC-SMD CAT24C02TDI-GT3A TSOT23-5	X	X	X	X	X	X	X	X	X
IC701	759551606600	IC-SMD CAT24C02TDI-GT3A TSOT23-5	X	X	X	X	X	X	X	X	X
IC703	759551606600	IC-SMD CAT24C02TDI-GT3A TSOT23-5	X	X	X	X	X	X	X	X	X
IC704	759551606600	IC-SMD CAT24C02TDI-GT3A TSOT23-5	X	X	X	X	X	X	X	X	X
IC800	759551615600	IC-SMD MS17398R-LF LFBGA	X			X		X	X	X	X
IC801	759551615700	IC-SMD K4B1G1646G-BCK0T00 FBGA	X			X		X	X	X	X
IC804	759551551200	IC-SMD W25Q80BVSSIG	X			X		X	X	X	X
IC805	759551498600	IC-SMD NC7SZ08P5X SOT353	X			X		X	X	X	X
IC900	759551606100	IC-SMD MAX928AECT+	X	X	X	X	X	X	X	X	X
IC901	759551606600	IC-SMD CAT24C02TDI-GT3A TSOT23-5	X	X	X	X	X	X	X	X	X
IC902	759551606100	IC-SMD MAX928AECT+	X	X	X	X	X	X	X	X	X
J301	759551615800	CON F-TYPE 21.5MM				X			X	X	
	759551699600	CON F-TYPE 21.5MM SPRING T. V.									
L102	759551364700	FERRIT CHIP SBY100505T-102Y-N/0402							X	X	
L104	759551364700	FERRIT CHIP SBY100505T-102Y-N/0402									
L307	759551364700	FERRIT CHIP SBY100505T-102Y-N/0402									
L322	759551364700	FERRIT CHIP SBY100505T-102Y-N/0402									
L323	759551615900	COIL-SMD 27NH J 0.5A 0805				X		X	X	X	
L400	759551364700	FERRIT CHIP SBY100505T-102Y-N/0402									
L401	759551562400	SMD SPULE 1UH	X	X	X	X	X	X	X	X	X
L402	759551562300	SMD SPULE 22UH 0.47A	X	X	X	X	X	X	X	X	X
L404	759551364700	FERRIT CHIP SBY100505T-102Y-N/0402									
L501	759551606700	FERRITE BEAD-CHIP 120R/3A/1206	X	X	X	X	X	X	X	X	X
L502	759551562500	SMD SPULE 22UH 1.9A	X	X	X	X	X	X	X	X	X
L503	759551562500	SMD SPULE 22UH 1.9A	X	X	X	X	X	X	X	X	X
L504	759551562500	SMD SPULE 22UH 1.9A	X	X	X	X	X	X	X	X	X
L505	759551562500	SMD SPULE 22UH 1.9A	X	X	X	X	X	X	X	X	X
L506	759551606700	FERRITE BEAD-CHIP 120R/3A/1206	X			X		X	X	X	X
L507	759551562500	SMD SPULE 22UH 1.9A	X			X		X	X	X	X
L508	759551562500	SMD SPULE 22UH 1.9A	X			X		X	X	X	X
L601	759551561300	SMD SPULE 3.3UH 2A	X	X	X	X	X	X	X	X	X
L602	759551364700	FERRIT CHIP SBY100505T-102Y-N/0402									
L604	759551561300	SMD SPULE 3.3UH 2A	X			X		X	X	X	X
L606	759551561300	SMD SPULE 3.3UH 2A	X			X		X	X	X	X
L610	759551561400	SMD SPULE 3UH %30 5A	X	X	X	X	X	X	X	X	X
L612	759551561400	SMD SPULE 3UH %30 5A	X	X	X	X	X	X	X	X	X
L613	759551562500	SMD SPULE 22UH 1.9A	X			X		X	X	X	X
L619	759551561300	SMD SPULE 3.3UH 2A	X	X	X	X	X	X	X	X	X
L900	759551364700	FERRIT CHIP SBY100505T-102Y-N/0402									
L901	759551364700	FERRIT CHIP SBY100505T-102Y-N/0402									
S300	759551616000	CON RJ45MAG TS-20001-1 DIK	X	X	X	X	X	X	X	X	X
S400	759551406100	PCMCIA VERBINDER 1857246-1 TYCO	X	X	X	X					
	759551743300	PCMCIA VERBINDER LANG							X	X	X
S500	759551175900	BUCHSE KOPFHOERER STEREO	X	X	X	X	X	X	X	X	X
S602	759551765300	KON-SMD 3PIN 1.5MM DISI YATIK									X
	759551561500	CONN. USB-001-A HORIZONTAL							X	X	X
S603	759551661800	CONN. USB-001-A HORIZONTAL	X	X	X	X	X		X	X	X
S604	759551616100	CON USB-A 13MM FEMALE DIK	X	X	X	X	X		X	X	X
	759551561500	CONN. USB-001-A HORIZONTAL							X	X	X
S610	759551661800	CONN. USB-001-A HORIZONTAL	X				X		X	X	X
S700	759551606900	CON-SMD HDMI 13MM VERT.	X	X	X	X	X	X	X	X	X
S701	759551606900	CON-SMD HDMI 13MM VERT.	X	X	X	X	X	X	X	X	X
S702	759551606900	CON-SMD HDMI 13MM VERT.	X	X	X	X	X	X	X	X	X
S703	759551498700	CON.500254-1927 MOLEX HDMI	X	X	X	X	X	X	X	X	X
S900	759551616200	CON SCART LOCK VERT.	X	X	X	X	X	X	X	X	X
S906	759551561700	CONN. OPT JACK TOSLINK-TX	X	X	X	X	X	X	X	X	X
S907	759551501300	BUCHSE VGA (DSUB15)	X	X	X	X	X	X	X	X	X
S909	759551501200	KOPFHOERERBU. 3.5MM STEREO	X	X	X	X	X	X	X	X	X
SAW400	759551500100	FILTER SAW HDVF389A7DC SIP5DC	X	X	X	X	X	X	X	X	X
SAW401	759551500200	FILTER SAW HDVF389A1DC-OFW K3953M	X	X	X	X	X	X	X	X	X
T300	759551616300	TRN-SMD DMN2004DWK-7 20V				X		X	X	X	X
T301	759551616400	TRN-SMD BFG425W 4.5V 30MA SOT343R				X		X	X	X	X
T402	759551098100	TRANS BF799W	X	X	X	X					
T404	759551098200	TRANS BC847BPDW1T	X	X	X	X	X	X	X	X	X
T603	759551098200	TRANS BC847BPDW1T	X	X	X	X	X	X	X	X	X
T604	759551388500	TRANS-CHIP PMV65XP P-CH	X	X	X	X	X	X	X	X	X
T605	759551098300	TRANS BC847BDW1T1	X	X	X	X	X	X	X	X	X
T701	759551098300	TRANS BC									