

**NUR FÜR INTERNEN GEBRAUCH
FOR INTERNAL USE ONLY**

Chassis DB

22

VLC 2004 DVD

GBI0822, GBJ0322

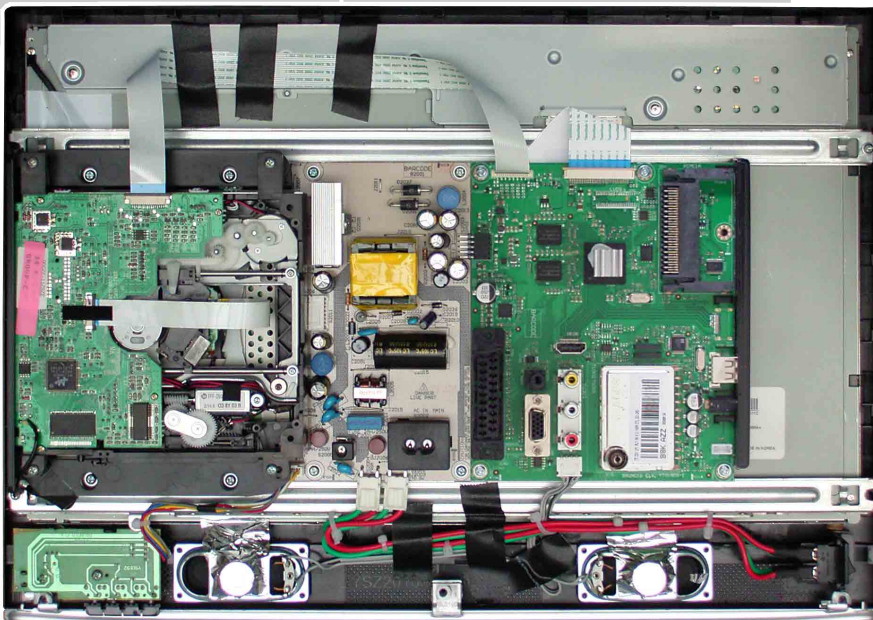
Vision 2

19-2940 T DVD

GBH4020, GBH4024

22-2940 T DVD

GBH4023, GBH4027
GBH4057



Zusätzlich erforderliche Unterlagen für den Komplettservice
Additionally required Service Documents for the Complete Service

Service Manual

Sicherheit
Safety

Materialnr./Part No.
72010800001

Materialnummer / Part Number 720100553000

Änderungen vorbehalten / Subject to alteration

TCC 0710 0112 MP • Prepared in Germany

<http://www.grundig.com>

Es gelten die Vorschriften und Sicherheitshinweise gemäß dem Service Manual "Sicherheit", Materialnummer 720108000001, sowie zusätzlich die eventuell abweichenden, landesspezifischen Vorschriften!



The regulations and safety instructions shall be valid as provided by the "Safety" Service Manual, part number 720108000001, as well as the respective national deviations.

Inhaltsverzeichnis

	Seite
Allgemeiner Teil	1-2...1-20
Allgemeine Hinweise	1-2
Ausbauhinweise	1-3
Geräte- und Display-Varianten	1-4
Technische Daten	1-5
Bedienhinweise	1-7
Service- und Sonderfunktionen	1-19
Platinenabbildungen und Schaltpläne	2-1...2-28
Chassisplatte YTS190R-5	2-1
– Netzteil / LVDS	2-8
– Tuner	2-9
– COFDM Demodulator	2-9
– Interface DVD, AV, Hotel, USB	2-10
– SCART, VGA	2-10
– HDMI	2-11
– Common Interface	2-11
– Scaler	2-12
– Scaler-RAM	2-14
– Verstärker	2-14
DVD	2-15
– Power	2-15
– MPEG/Prozessor	2-15
– USB	2-16
– Memory / Servo	2-17
– Audio / Video	2-18
Netzteil - Inverter YTF194	2-19
Netzteil - Inverter YVL193	2-23
Keyboard YSU192, YSW192	2-28
Ersatzteillisten	3-1...3-10

Table of Contents

	Page
General Section	1-2...1-20
General Notes	1-2
Disassembling Hints	1-3
Product and Display Variants	1-4
Technical Data	1-5
Operating Hints	1-13
Service and Special Functions	1-19
Layout of the PCBs and Circuit Diagrams	2-1...2-28
Chassis Board YTS190R-5	2-1
– Power Supply / LVDS	2-8
– Tuner	2-9
– COFDM Demodulator	2-9
– Interface DVD, AV, Hotel, USB	2-10
– SCART, VGA	2-10
– HDMI	2-11
– Common Interface	2-11
– Scaler	2-12
– Scaler RAM	2-14
– Amplifier	2-14
DVD	2-15
– Power	2-15
– MPEG/Processor	2-15
– USB	2-16
– Memory / Servo	2-17
– Audio / Video	2-18
Power Supply - Inverter YTF194	2-19
Power Supply - Inverter YVL193	2-23
Keyboard YSU192, YSW192	2-28
Spare Parts Lists	3-1...3-10

Allgemeiner Teil

Allgemeine Hinweise

Vor dem Öffnen des Gehäuses den Netzstecker ziehen!

Achtung: ESD-Vorschriften beachten 

Leitungsverlegung

Bevor Sie die Leitungen und insbesondere die Masseleitungen lösen, muss die Leitungsverlegung zu den einzelnen Baugruppen beachtet werden.

Nach erfolgter Reparatur ist es notwendig, die Leitungsführung wieder in den werkseitigen Zustand zu versetzen um evtl. spätere Ausfälle oder Störungen zu vermeiden.

Durchführen von Messungen

Bei Messungen mit dem Oszilloskop an Halbleitern sollten Sie nur Tastköpfe mit 10:1 - Teiler verwenden. Außerdem ist zu beachten, dass nach vorheriger Messung mit AC-Kopplung der Koppelkondensator des Oszilloskops aufgeladen sein kann. Durch die Entladung über das Messobjekt können Bauteile beschädigt werden.

Messwerte und Oszillogramme

Bei den in den Schaltplänen und Oszillogrammen angegebenen Messwerten handelt es sich um Näherungswerte!

Kindersicherung

Mit folgenden Master-Kennwörtern bekommen Sie Zugriff zum Ändern verlorener Kennwörter:

Kindersicherung-TV: 2356

DVD-Passwort: 1369

General Section

General Notes

Before opening the cabinet disconnect the mains plug!

Attention: Observe the ESD safety regulations 

Wiring

Before disconnecting any leads and especially the earth connecting leads observe the way they are routed to the individual assemblies.

On completion of the repairs the leads must be laid out as originally fitted at the factory to avoid later failures or disturbances.

Carrying out Measurements

When making measurements on semi-conductors with an oscilloscope, ensure that the test probe is set to 10:1 dividing factor. If the previous measurement was made on AC input, please note that the coupling capacitor in the oscilloscope will be charged. Discharge via the item being checked can damage the components.

Measured Values and Oscillograms

The measured values given in the circuit diagrams and oscillograms are approximates!

Parental Control

Following Matser Passwords will get access to change a lost password:

Parental Control TV: 2356

Hotel-Mode

Bei aktivierter Funktion ist die maximale Lautstärke begrenzt und das Menü "INSTALLATION" ist nicht mehr anwählbar.

Aufruf: MENU → 8500 → ▲/▼ "OPTION 1" → OK → ▲/▼ "HOTEL" → </> "AVAIL".

Maximale Lautstärke: MENU → 8500 → ▲/▼ "OPTION 1" → OK → ▲/▼ "HOTEL VOLUME" → </> Wert 0...100.

Aktivierten Hotel-Mode kurzzeitig ausschalten

Bei dieser Funktion ist der Hotel-Mode bis zum nächsten Ausschalten (Standby) des Gerätes deaktiviert.

Aufruf: MENU → 4658 → MENU

Cloning-Funktion für Programmtabelle

Mit dieser Funktion ist die Übertragung der Programmtabelle von einem Gerät auf ein weiteres gleicher Serie möglich.

Programmtabelle auf USB-Stick kopieren:

Gegebenenfalls Hotel-Mode kurzzeitig ausschalten (s.o.) → leeren USB-Stick anschließen → </> "Nein" → OK → M → </> "INSTALLATION" → ▼ "Programmtabelle" → 8500 → </> "DTV", "ATV" oder "All" → ▼ "Save" → OK.

Programmtabelle in anderes Gerät gleicher Serie übertragen:

Gegebenenfalls Hotel-Mode kurzzeitig ausschalten (s.o.) → USB-Stick anschließen → "Nein" → OK → M → </> "INSTALLATION" → ▼ "Programmtabelle" → 8500 → </> "DTV", "ATV" oder "All" → ▼ "Load" → OK.

Ausbauhinweise**Rückwand abnehmen**

- 2 Schrauben (A) im Gerätefuß (Fig. 1) herausschrauben und Fuß abnehmen.
- 4 Schrauben (B / C) (Fig. 2) herausschrauben.
- Rückwand nach oben klappen und abnehmen (dabei lösen sich die Rastnasen).

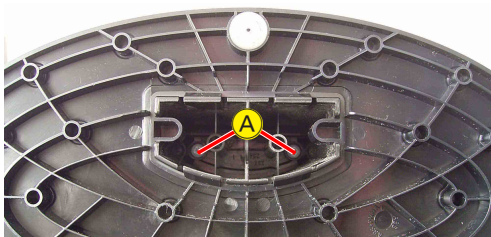


Fig. 1

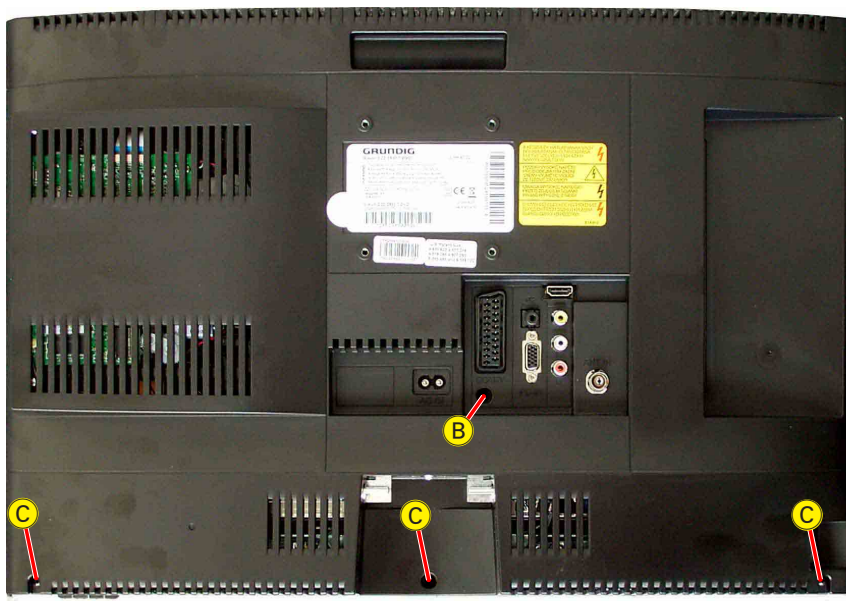


Fig. 2

CD/DVD aus Laufwerk entfernen (Fig. 3)

- 2 Schrauben (D) herausschrauben, Halter (E) und Zahnrad (F) entfernen. Zahnstange (G) wird auf Grundstellung zurückgezogen.
- Hebel (H) so in Mittelstellung halten, dass die DVD nicht blockiert wird.
- CD/DVD vorsichtig entfernen.

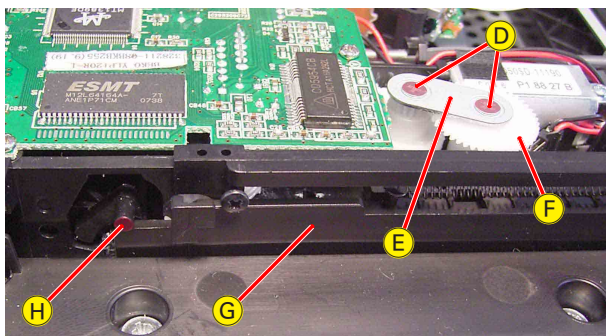


Fig. 3

Hotel Mode

Maximum volume is limited and there is no access to Menu "CHANNEL Setup" at activated hotel mode.

Call up: MENU → 8500 → ▲/▼ "OPTION 1" → OK → ▲/▼ "HOTEL" → </> "AVAIL".

Maximum volume: MENU → 8500 → ▲/▼ "OPTION 1" → OK → ▲/▼ "HOTEL VOLUME" → </> Value 0...100.

Switching off the activated Hotel Mode temporarily

At this function the activated hotel mode is deactivated until the set is switched off (standby).

Call up: MENU → 4658 → MENU

Cloning Function for Programme Table

It is possible to clone the programme table with this function from one TV set to further TV set of same series.

Copy programme table to USB stick:

If necessary switch off Hotel Mode temporarily (see above) → connect empty USB stick → </> "No" → OK → M → </> "CHANNEL SETUP" → ▼ "Programme Table" → 8500 → </> "DTV", "ATV" or "All" → ▼ "Save" → OK.

Copy programme table into further TV set of same type series:

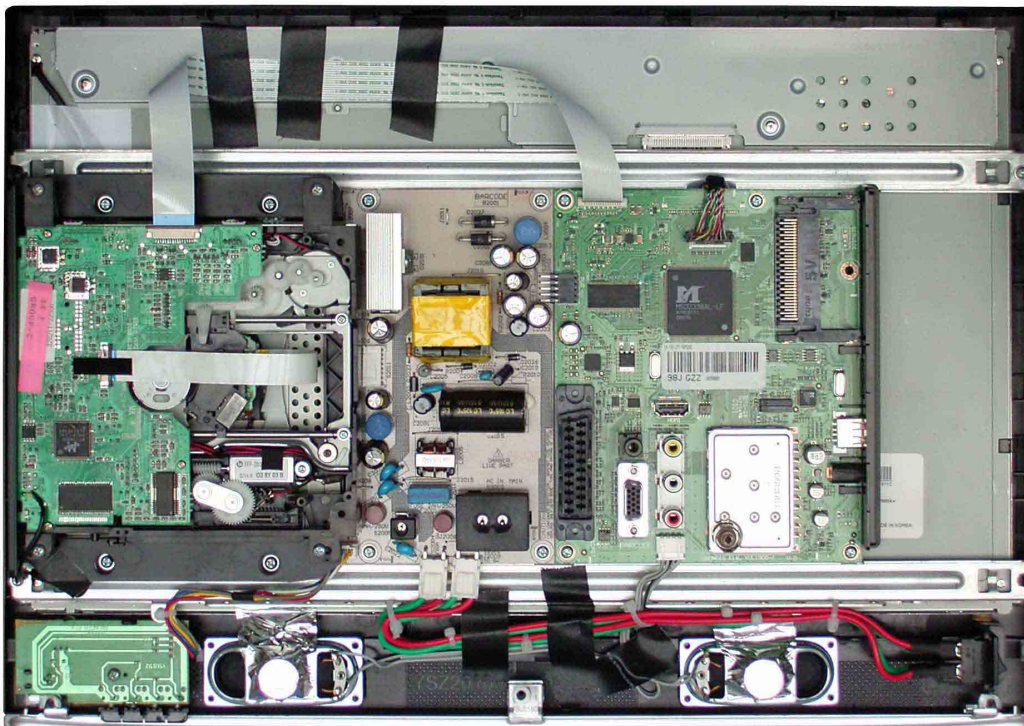
If necessary switch off Hotel Mode temporarily (see above) → connect empty USB stick → </> "No" → OK → M → </> "CHANNEL SETUP" → ▼ "Programme Table" → 8500 → </> "DTV", "ATV" or "All" → ▼ "Load" → OK.

Disassembling Hints**Removing the Rear Cabinet**

- Undo 2 screws (A) fitted in the stand (Fig. 1) and remove the stand.
- Undo 4 screws (B / C) (Fig. 2).
- Fold up and remove the rear panel (thereby disengage the latches).

Removing a CD/DVD from the Drive mechanism (Fig. 3)

- Undo 2 screws (D) and remove holder (E) and gear wheel (F). Gear rack (G) will be pulled backwards to its home position.
- Position lever (H) to center position so that the DVD is no longer blocked.
- Carefully remove the CD/DVD.



Geräte- und Display-Varianten

Display- und Product Code
 Je nach Verfügbarkeit werden Displays verschiedener Hersteller eingebaut. Dies führt zu unterschiedlichen Chassis-Bestückungen, sowie zu Änderungen in der Software. Bei Ersatzteilbestellungen und Software-Updates achten Sie bitte auf das eingebaute Display, sowie auf den "Product Code". Angaben dazu finden Sie auf der Geräterückseite. Sollte in der Ersatzteilliste des Service Manuals Ihr "Product Code" oder Ihre Display-Variante nicht aufgeführt sein, können Sie eine aktualisierte Version auf dem GRUNDIG Service-Portal "<http://service.grundig.de>" finden.

Überprüfen Sie vor Platinen-Tausch, ob die Aufkleber der Platinen identisch sind (z.B. PCB Code).

Product and Display Variants

Display- und Product Code
 Depending on availability displays of different manufacturer are built in. This results in different chassis mountings as well as a different software. On spare parts orders as well as software updates take care of the fitted display as well as of the "Product Code". Therefore you can find information on the labels on the rear side. If your "Product Code" or display variant is not mentioned in the spare parts list of the service manual, please look for a current version at the GRUNDIG service portal "<http://service.grundig.de>".

Before changing any board please check whether the labels on the boards are identical (eg. PCB Code).



Technische Daten / Technical Data

	22 VLC 2004 DVD	Vision 2 19-2940 T DVD	Vision 2 22-2940 T DVD
Order No.	GBI0822 / GBJ0322	GBH4020 / GBH4021 / GBH4024	GBH4025 / GBH4023 / GBH4027
Approbations	CE	CE	CE
IM-Languages	F,DK,N,S,HR	F,DK,N,S,HR	F,DK,N,S,HR
	SE, NO, HR, FI, DK, D, EL	For BG3: SE, NO, CRO, FI, DK, D, EL; For BG5: FR, ES, PT, D, GB, EE, NL	For BG3: SE, NO, CRO, FI, DK, D, EL; For BG5: FR, ES, PT, D, GB, EE, NL
Destination	Nordic	GKQ, HHA, HHC for BG3, HUF for BG5	GKR, HHD, HHB for BG3, HJG for BG5
Remote control	RC 23	RC 23	RC 23
EAN	40 13833-62506 3/ -62606 0	40 13833-62064 8/ -62082 2/ -62083 9	40 13833-62084 6/ -62065 5/ -62085 3
Color	Glossy Black	black glossy	black glossy
DISPLAY			
Panel	21.6" / 56cm Active Matrix TFT-LC-Display	18.5" / 47cm Active Matrix TFT-LC-Display	21.6" / 56cm Active Matrix TFT-LC-Display
Wide-screen format	●	●	●
Response time	ca. 5ms	ca. 5ms	ca. 5ms
Brightness	ca. 350cd/m ²	ca. 250cd/m ²	ca. 350cd/m ²
Contrast ratio (Panel)	ca. 1.000:1	ca. 1.000:1	ca. 1.000:1
Dynamic contrast plus	ca. 2.000:1	ca. 3.000:1	ca. 2.000:1
Viewing angle approx. °	175/155	80/80 80/80	175/155
Physical display resolution max. pixel	WXGA 1366 x 768	WXGA 1366 x 768	WXGA 1366 x 768
PICTURE			
Motion Picture Improvement	○	○	○
Motion Adaptive Deinterlacing	3D DeInterlacer	3D DeInterlacer	3D DeInterlacer
Natural view HD Reference	○	○	○
Full HD	○	○	○
Line Flicker Reduction	●	●	●
Digital Color Transition Improv. (DCTI)	●	●	●
Digital Combfilter	3D	3D	3D
Digital Luminance Transition Improv. (DLTI)	●	●	●
Picture Noise Reduction	●	●	●
Preset picture modes	user, vivid, natural, movie, sports	user, vivid, natural, movie, sports	user, vivid, natural, movie, sports
Aspect ratios (Format switching)	Auto (WSS), 4:3 / 14:9 / 16:9 / Panorama / Cinema Zoom / Sky Top		
Blackline detection	○	○	○
PIP	○	○	○
Multifold Tuner scan (Mosaic Picture)	○	○	○
PAT: Split screen (PICTURE + TEXT)	●	●	●
PAP: Double Window (PICTURE + PICTURE)	○	○	○
P ² AT: Double Window + TXT	○	○	○
POP: PICTURE on PICTURE	○	○	○
Picture freezing	●	●	●
Zoom with point function	●	●	●
Auto 16:9 selection via Scart	●	●	●
Sharpness control	●	●	●
Blue Background	●	●	●
CHASSIS			
TV-Chassis	DB	DB	DB
Progressive	○	○	○
Tuner	PLL frequency synthesizer tuning	PLL frequency synthesizer tuning	PLL frequency synthesizer tuning
Scaler	Sapphire	Sapphire	Sapphire
Keyboard	4 Volume/Programm, ± keys, stand-by	4 Volume/Programm, ± keys, stand-by	4 Volume/Programm, ± keys, stand-by
ELECTRONIC			
Stand by indicator	blue LED	blue LED	blue LED
EPG (Electronic Programme Guide)	7 days via DVB-T	7 days via DVB-T	7 days via DVB-T
Easy Dialog	○	○	○
Megalogic	○	○	○
Manual & autom. labeling of prog.	●	●	●
Programmable off timer	●	●	●
Programmable on timer	●	●	●
Intelligent channel search (Zapping funct.)	●	●	●
Programme Edit	○	○	○
Intelligent Programme Switch	○	○	○
Programme memory TV/AV (opt.)	99 Analog / 400 Digital / AV	99 Analog / 400 Digital / AV	99 Analog / 400 Digital / AV
Teletext/Fasttext/Toptext	● / ● / ○	● / ● / ○	● / ● / ○
Teletext options	1000 pages	1000 pages	1000 pages
Childlock	●	●	●
Menu languages OSD	24 languages, D, GB, F, I, E, P, NL, DK, S, FIN, N, TR, GR, PL, CZ, SK, SLO, H, RUS, RO, BG, HR, LT, EE		
OSD-style	OEM-style with Grundig look	OEM-style with Grundig look	OEM-style with Grundig look
Service mode	●	●	●
Game mode	presets (user changeable) for sound and picture in HDMI-, Component- and PC-mode		
Hotel mode	Simple hotel mode possible via service adjustment	Simple hotel mode possible via service adjustment	Simple hotel mode possible via service adjustment
TUNING			
Autom. Tuning System with country selection	full automatic sorting	full automatic sorting	full automatic sorting
Frequency Based Auto Search	●	●	●
Automatic Micro-search	●	●	●
Automatic Programming	○	○	○
Manual fine tuning	●	●	●
Direct channel selection	●	●	●
Direct frequency selection	○	○	○
PAL/SECAM/BG/DK/I/L/L	●	●	●
NTSC-Playback via Scart (3,58/4,43)	●	●	●
Cable TV / Hyperband (S1-S41)	●	●	●
AUDIO			
Mono/Stereo/Nicam	● / ● / ●	● / ● / ●	● / ● / ●
AV Stereo	●	●	●
Loudspeaker	2 wide band at the front side	2 wide band at the front side	2 wide band at the front side
SRS	●	●	●
Dolby Digital	○	○	○
Virtual Dolby	○	○	○
Magic Fidelity Sound System	○	○	○
Sound Projector	○	○	○
Matched Sound Delay (Lip synchronous)	○	○	○
Subwoofer	○	○	○
Dynamic Bass	○	○	○
DSP (Digital Sound Processor)	○	○	○
Balance Adjustment	●	●	●
AVL (Audio Volume Level)	●	●	●
PIP listening via Headphone jack	○	○	○
Equalizer	5 Band	5 Band	5 Band
Space Sound Effect	●	●	●
Audio mode	cinema, music, sport, speech, user	cinema, music, sport, speech, user	cinema, music, sport, speech, user
Audio amplifier	2x 3W (RMS)	2x 3W (RMS)	2x 3W (RMS)
USB part			
Screen saver	○	○	○
File Browser	●	●	●
Video file resolution (max.)	1920 x 1080	1920 x 1080	1920 x 1080
Supported files	MP3,JPG,BMP,MOV,MPG,MP4,AVI	MP3,JPG,BMP,MOV,MPG,MP4,AVI	MP3,JPG,BMP,MOV,MPG,MP4,AVI
Supported subtitles	SRT, SSA, ASS, SMI, Video SUB	SRT, SSA, ASS, SMI, Video SUB	SRT, SSA, ASS, SMI, Video SUB
DVD			
DVD -R/+R/-RW/+RW	●	●	●
CD -R/+R/-RW/+RW	●	●	●
SVCD	●	●	●
Supported files	MP3,JPG,MPG,AVI	MP3,JPG,MPG,AVI	MP3,JPG,MPG,AVI
Supported subtitles	Micro DVD (sub.txt), SubRip(srt), Sami(smi,sami), Sub-Station-Alpha(ssa), Advanced Sub-Station-Alpha(ass)		

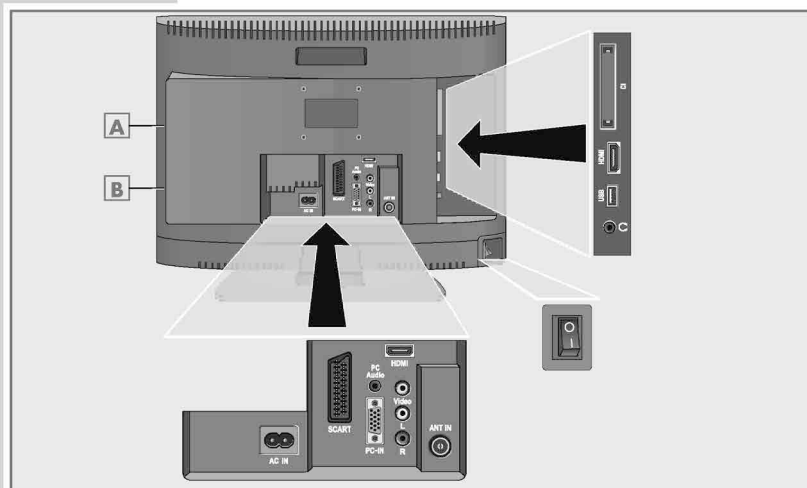
	22 VLC 2004 DVD	Vision 2 19-2940 T DVD	Vision 2 22-2940 T DVD
DVB reception			
Fully compliant to	EN 300 744 & revised NorDig II spec (regarding DVB-T front end performance)		
Automatic/manual channel search	● / ● - ATS type sorting & LCN type sorting	● / ● - ATS type sorting & LCN type sorting	● / ● - ATS type sorting & LCN type sorting
EPG (SI based)	●	●	●
7 Day Electronic Programme Guide	●	●	●
now/next	●	●	●
scheduled	If broadcasted	If broadcasted	If broadcasted
Extended Event Info	If broadcasted	If broadcasted	If broadcasted
Short Event Info	If broadcasted	If broadcasted	If broadcasted
TV/Radio programmes	400	400	400
OSD languages	Same as analogue languages	Same as analogue languages	Same as analogue languages
Parental control	●	●	●
Teletext VBI insertion	or decoding	or decoding	or decoding
VPS - VBI insertion	PDC based	PDC based	PDC based
Programme table	full automatic sorting	full automatic sorting	full automatic sorting
Factory station list	●	●	●
DVB-T Front end			
Tuner inputs (Hyperband)	1	1	1
Input frequency (MHz) / Loop through	177 - 862 VHF & UHF / O	177 - 862 VHF & UHF / O	177 - 862 VHF & UHF / O
Input level / Impedance	-80,0dBm to -20dBm (at 16 QAM 2/3) / 75Ω	-80,0dBm to -20dBm (at 16 QAM 2/3) / 75Ω	-80,0dBm to -20dBm (at 16 QAM 2/3) / 75Ω
Modulation	COFDM 2/8 QPSK 16/64 QAM	COFDM 2/8 QPSK 16/64 QAM	COFDM 2/8 QPSK 16/64 QAM
FEC	1/2, 2/3, 3/4, 5/6, 7/8	1/2, 2/3, 3/4, 5/6, 7/8	1/2, 2/3, 3/4, 5/6, 7/8
Hierarchical modulation	○	○	○
Activ antenna support	●	●	●
Embedded Conditional Access	○	○	○
Common Interface	●	●	●
Smart Card Reader	○	○	○
Video Decoder			
MPEG profiles	MP@ML, MP@HL, MPEG4 AVC H.264 HP@L4.0	MP@ML, MP@HL, MPEG4 AVC H.264 HP@L4.0	MP@ML, MP@HL, MPEG4 AVC H.264 HP@L4.0
Resolution	576i, 576p, 720p, 1080i	576i, 576p, 720p, 1080i	576i, 576p, 720p, 1080i
OSD colors	Fitting to TV-OSD	Fitting to TV-OSD	Fitting to TV-OSD
Picture formats	4:3, 16:9, pan scan, letter box	4:3, 16:9, pan scan, letter box	4:3, 16:9, pan scan, letter box
Audio Decoder			
Profiles	MPEG4, MPEG 1 layer I & II, AC3 (Dolby digital) AC3+Dolby digital plus		
AC 3 Decoding	●	●	●
AC 3 Output	○	○	○
Modes	Mono, Dual Mono, Stereo, Joint Stereo	Mono, Dual Mono, Stereo, Joint Stereo	Mono, Dual Mono, Stereo, Joint Stereo
Software			
Service information processing	Dynamic PMT	Dynamic PMT	Dynamic PMT
DVB subtitles	●	●	●
Over air download (OTA)	DVB enhanced profile via menu	DVB enhanced profile via menu	DVB enhanced profile via menu
Navigator	○	○	○
API	○	○	○
Last station memory	from stand-by, as TV	from stand-by, as TV	from stand-by, as TV
Favourite mode	4x free	4x free	4x free
Timer / Sleep timer	On/Off timer	On/Off timer	On/Off timer
Clock	○	○	○
Volume	○	○	○
Mute function	●	●	●
Swap function	●	●	●
FRONT PANEL CONNECTIONS			
HDMI	○	○	○
Headphones	○	○	○
Cinch-AV socket	○	○	○
S-Video	○	○	○
POWER SUPPLY / CABINET			
Power voltage	230V, 50Hz; in accordance to IEC 65	230V, 50Hz; in accordance to IEC 65	230V, 50Hz; in accordance to IEC 65
Range of regulation	140V - 265V / 50-60Hz	140V - 265V / 50-60Hz	140V - 265V / 50-60Hz
Power switch	●	●	●
Integrated supply	○	○	○
Plug-in AC adaptor	○	○	○
Power consumption	50W, standby <1W in accordance to IEC 62087-2002	35W, standby <1W in accordance to IEC 62087-2002	50W, standby <1W in accordance to IEC 62087-2002
Cabinet (WxHxD, cm) / Weight	52.3x35.6x6.9cm / 52.3x38.0x16.0cm with stand / ca. 5kg	45.8x31.5x6.5cm / 45.8x34.3x16.5cm with stand / ca. 3.5kg	52.3x35.6x6.9cm / 52.3x38.0x16.0cm with stand / ca. 5kg
REAR PANEL CONNECTIONS			
Euro-AV-Socket AV1	Full wired	Full wired	Full wired
Euro-AV Socket AV2	○	○	○
Euro-AV Socket AV3	○	○	○
S-Video	via Scart	via Scart	via Scart
Camera-AV	3x Cinch socket in	3x Cinch socket in	3x Cinch socket in
Wireless	○	○	○
YUV input / progressive	via VGA	via VGA	via VGA
PC-input	WXGA	WXGA	WXGA
PC-Audio in	●	●	●
DVI	○	○	○
HDMI	2x	2x	2x
HD ready including HDCP	via HDMI	via HDMI	via HDMI
Common Interface	1 slot	1 slot	1 slot
Headphones	3.5mm jack	3.5mm jack	3.5mm jack
Digital Audio out coaxial (SPDIF)	○	○	○
Video out	○	○	○
Audio out	○	○	○
USB	USB 2.0	USB 2.0	USB 2.0
Antenna for terrestrial reception	1 x Coaxial-socket for TV-tuner-in, according to DIN 45325	1 x Coaxial-socket for TV-tuner-in, according to DIN 45325	1 x Coaxial-socket for TV-tuner-in, according to DIN 45325
DC-connector	○	12V DC (11 - 14.5V, current consumption approx. 4A)	○
Power supply plug	○	●	○
SUPPLIED ACCESSORIES			
Remote control (incl. battery)	RC YE1187R, 2x Battery AAA size non grounded	RC 23 incl. 2x Battery AAA size non grounded	RC YE1187R, 2x Battery AAA size non grounded
Power cord	○	○	○
Cables	○	○	○
Instruction manual	●	●	●
Circuit diagram	○	○	○
Wall fixture	Prepared for VESA standard adaptor 100 x 100	Prepared for VESA standard adaptor 100 x 100	Prepared for VESA standard adaptor 100 x 100
Stand	●	●	●
Warranty info	●	●	●
Cleaning tissue	●	○	●

Bedienhinweise

Dieses Kapitel enthält Auszüge aus der Bedienungsanleitung. Weitergehende Informationen entnehmen Sie bitte der gerätespezifischen Bedienungsanleitung, die Sie unter www.grundig.de, Menüpunkt Downloads/Bedienungsanleitungen herunterladen können.

AUF EINEN BLICK

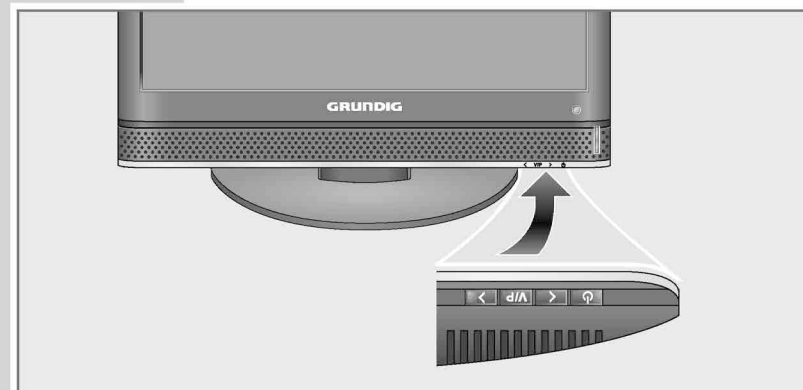
Die Anschlüsse des Fernsehgerätes



- A** Schacht für Disc.
- B** USB-Buchse, nur für Service-Anwendungen.
- AC IN** Buchse für das Netzkabel.
- SCART** Euro/AV-Buchse (FBAS-Signal, RGB-Signal).
- PC-IN** VGA-Buchse, Bildsignal-Eingang für PC.
- PC Audio** Tonsignal-Eingang für PC.
- R L** Tonsignal-Eingang für Camerarecorder.
- Video** Bildsignal-Eingang für Camerarecorder.
- HDMI** HDMI-Buchse, Ton-/Bildsignal-Eingang (HDMI).
- ANT IN** Antennenbuchse.
- Kopfhöreranschluss (3,5 mm ø Klinke).
- USB** USB-Buchse für externe Datenträger
- HDMI** HDMI-Buchse, Ton-/Bildsignal-Eingang (HDMI).
- CI** Common Interface-Schacht.
- I O** Netzschalter, schaltet das Fernsehgerät in Bereitschaft (Stand-by) oder aus.

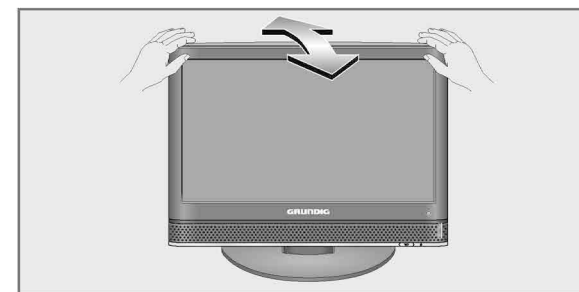
AUF EINEN BLICK

Die Bedienelemente des Fernsehgerätes



- Schaltet das Fernsehgerät aus Bereitschaft (Stand-by) ein und wieder in Bereitschaft.
- Lautstärke verringern; Programmwahl abwärts.
- V/P** Vorwahltaaste für Lautstärke oder Programmwahl. Schaltet das Fernsehgerät aus Stand-by ein.
- Lautstärke vergrößern; Programmwahl aufwärts.

Neigungswinkel des Bildschirmes anpassen



- 1 Bildschirm vorsichtig nach vorne oder hinten schwenken.

AUF EINEN BLICK



Die Fernbedienung für Fernseh-Betrieb

MUTE	Ton ein/aus (stummschalten).
POWER	Schaltet das Fernsehgerät aus Bereitschaft (Stand-by) ein und wieder in Bereitschaft.
1 ... 0	Schalten das Fernsehgerät aus Stand-by ein; wählen Programme direkt.
16:9	Schaltet das Bildformat um; wählt im Videotext-Betrieb die Funktion Split Screen.
0 FAV	Ruft die Favoriten-Programmliste auf.
Q	Vergößert das Bild.
i	Blendet Nummer und Namen des Programmes ein (im analogen Fernseh-Betrieb); blendet Uhrzeit, Programmplatzinformationen sowie Programminformationen ein (im digitalen Fernseh-Betrieb); wählt im Videotext-Betrieb die Seite 100.
MENU	Ruft das Menü auf. Schaltet die Menüs ab.
←	Schaltet in den Menüs eine Menüebene zurück.
V+ V-	Ändern die Lautstärke.
▼ ▲	Bewegen im Menü den Cursor nach oben/ unten.
◀ ▶	Bewegen im Menü den Cursor nach links/rechts.
OK	Ruft die Programmliste auf; aktiviert verschiedene Funktionen.
P+ P-	Schalten das Fernsehgerät aus Stand-by ein; wählen Programme schrittweise.
☐	Ruft die Vorauswahl für AV-Programmplätze, den DVD- und den USB-Betrieb auf. Danach Auswahl mit »▼« oder »▲« und bestätigen mit »OK«.
🔄 REPEAT	Umschalten zwischen den beiden zuletzt gewählten Programmen.
?/EPG A-B	Ruft den Elektronischen Programmführer (TV-Guide) auf; Antwortfreigabe im Videotext-Betrieb.
TXT	Schaltet zwischen Videotext-Betrieb und TV-Betrieb um.
⏪ HOLD	Seitenstopp im Videotext-Betrieb.

AUF EINEN BLICK



☐	Ruft das Menü »Untertitelsprachen« auf (im digitalen Fernseh-Betrieb). Schaltet auf doppelte Zeichengröße im Videotext-Betrieb.
🔊	Ruft das Menü »Audiosprachen« auf (im digitalen Fernseh-Betrieb). Aktualisiert eine Seite im Videotext-Betrieb.
▶▶ (rot)	Wählt im Videotext-Betrieb eine Seite.
◀◀ (grün)	Wählt im Videotext-Betrieb eine Seite.
■ (gelb)	Wählt im Videotext-Betrieb eine Seite.
▶▶ (blau)	Wählt im Videotext-Betrieb eine Seite.

Die Fernbedienung für DVD- und Daten-Betrieb

16:9 (Angle)	Wählt während der Wiedergabe verschiedene Blickwinkel* (Kamera-Standorte) von bestimmten Szenen oder Passagen der DVD. (nur im DVD-Modus)
Q	Wählt die Zoomfunktion an.
☐	Zum Anwählen und Einblenden von Untertiteln* der DVD während der Wiedergabe
🔊	Schaltet während der Wiedergabe um zwischen Original- und Synchronsprache* einer DVD. Schaltet zwischen verschiedenen Tonformaten um.
1 ... 0	Ziffern-Tasten für verschiedene Eingaben.
P+	Zum Programmieren einer Wiedergabeliste für die eingelegte Disc. (nur im DVD-Modus)
GOTO	Ruft das Menü zur Eingabe und Anwahl von Titel, Kapitel oder Spielzeit auf. (nur im DVD-Modus)
i	Blendet Informationen über Titel, Kapitel und die Spielzeit ein.
▼ ▲	Bewegen Cursor nach oben/unten.
◀ ▶	Bewegen Cursor nach links/rechts.
OK	Bestätigt Funktionen
TITLE	Ruft während der Wiedergabe das Titelménü* der DVD auf. (nur im DVD-Modus)

* abhängig von der verwendeten DVD



AUF EINEN BLICK

- ← Ruft während der Wiedergabe das Discmenü* einer DVD auf; schaltet Playback Control (PBC) ein/aus (bei VCD/S-VCD); ruft bei der Wiedergabe von Audio/Videodaten den Dateimanager auf.
- REPEAT** Wählt Wiederholfunktionen.
- A-B** Wählt die Wiederholfunktionen A - B. (nur im DVD-Modus)
- ⏮ Wählt während der Wiedergabe den vorherigen Titel/Abschnitt.
- ⏪ Wählt während der Wiedergabe den nächsten Titel/Abschnitt.
- ⏩ Schaltet während der Wiedergabe auf Bildsuchlauf rückwärts in verschiedenen Geschwindigkeiten.
- ⏭ Schaltet während der Wiedergabe auf Bildsuchlauf vorwärts in verschiedenen Geschwindigkeiten.
- ▶ Zum Ausschieben der Disc.
- ⏸ Startet die Wiedergabe; Standbild bei DVDs und Video-Daten; Pause bei Audio- und MP3-Daten.
- Unterbricht jede Lauffunktion.
- SETUP** Ruft das Hauptmenü des DVD-Teiles auf.

* abhängig von der verwendeten DVD

KOMFORT-FUNKTIONEN

Komfort-Funktionen

- 1 Menü mit »**MENU**« aufrufen.
- Das Menü »**BILD**« wird eingeblendet.
- 2 Menü »**SONDERFUNKTIONEN**« mit »◀« oder »▶« wählen und mit »**OK**« bestätigen.

Hinweis:

Die weitere Bedienung entnehmen Sie den folgenden Kapiteln.

Sprache der Benutzerführung ändern

- 1 Zeile »Menüsprache« mit »▼« oder »▲« wählen und mit »**OK**« bestätigen.
- 2 Zeile »Menüsprache« mit »▼« oder »▲« wählen.
- 3 Gewünschte Sprache mit »◀« oder »▶« wählen.
- 4 Einstellung mit »**MENU**« beenden.

Sprachbezogene Einstellungen

(nur bei digitalen Fernseh-Programmen)

Sie können die Darstellung der Untertitel ändern bzw. diese ausschalten, die Untertitelsprache wählen, eine zweite Untertitelsprache wählen, die Audiosprache und eine zweite Audiosprache wählen.

- 1 Zeile »Menüsprache« mit »▼« oder »▲« wählen und mit »**OK**« bestätigen.
- 2 Gewünschte Zeile (»Audiosprachen«, »Untertitelsprache«, »Hörschädigte«) mit »▼« oder »▲« wählen und mit »**OK**« bestätigen.
- 3 Gewünschte Zeile (»Primär« oder »Sekundär«) mit »▼« oder »▲« wählen.
- 4 Gewünschte Einstellung mit »◀« oder »▶« vornehmen.
- 5 Zeile »Schließen« mit »▼« oder »▲« wählen und mit »**OK**« bestätigen.
- 6 Einstellung mit »**MENU**« beenden.

Fernsehgerät in den Auslieferungszustand zurücksetzen

Mit dieser Funktion löschen Sie die Programmtabellen und alle persönlichen Einstellungen.

- 1 Zeile »Werkseinstellungen« mit »▼« oder »▲« wählen und mit »**OK**« bestätigen.
- 2 Schallfläche »Ja« mit »◀« oder »▶« wählen und Reset-Funktion mit »**OK**« bestätigen.
- Das Menü »Menüsprache« wird eingeblendet.
- 3 Setzen Sie bitte die Einstellungen mit Kapitel „Fernseh-Programme suchen“ auf Seite 15 fort.



KOMFORT-FUNKTIONEN

Spielmodus

Diese Funktion kann nur für die Programmplätze »HDMI«, »YPBPR« oder »PC« benutzt werden.

Mit dieser Funktion passen Sie die Bildeinstellungen des Fernsehgerätes an Spiele an. Der Anschluss der Spielekonsole erfolgt über die Buchsen »HDMI« oder »PC-IN«.

Einstellungen im Menü »BILD« sind nicht mehr möglich.



- 1 Zeile »PC/HDMI Spielmodus« mit »▼« oder »▲« wählen.
- 2 Funktion mit »◀« oder »▶« ein- ausschalten.
- 3 Einstellung mit »MENU« beenden.

Kindersicherung

- 1 Menü mit »MENU« aufrufen.
- Das Menü »BILD« wird eingeblendet.
- 2 Menü »KINDERSICHERUNG« mit »◀« oder »▶« wählen und mit »OK« bestätigen.
- 3 PIN-Code »0000« mit »1 ... 0« eingeben.

Hinweis:

Die weitere Bedienung entnehmen Sie den folgenden Kapiteln.

System sperren

Mit dieser Funktion können Sie die Menüs des Fernseh-Gerätes sperren, so dass sie nur durch Eingabe des PIN-Codes zugänglich sind.

- 1 Zeile »System sperren« mit »▼« oder »▲« wählen.
- 2 Sperre mit »◀« oder »▶« aktivieren.
- 3 Einstellung mit »MENU« beenden.

PIN-Code ändern

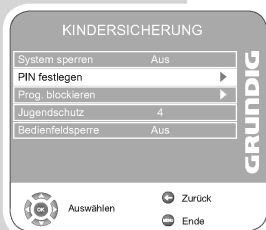
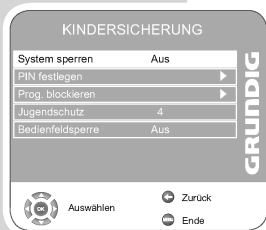
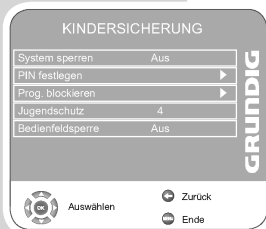
Sie können statt des Werkscodes »0000« einen persönlichen Code eingeben.

Notieren Sie sich bitte Ihren persönlichen Code.

- 1 Zeile »PIN festlegen« mit »▼« oder »▲« wählen und mit »OK« bestätigen.
- 2 Persönlichen neuen PIN-Code mit »1 ... 0« vierstellig eingeben.
- 3 Persönlichen PIN-Code mit »1 ... 0« noch einmal eingeben und mit »OK« bestätigen.
- 4 Einstellung mit »MENU« beenden.

Hinweis – Kindersicherung:

Mit dem PIN-Code **2356** können Sie die Einstellungen ändern.



KOMFORT-FUNKTIONEN

Fernseh-Programm sperren

Sie können einzelne Fernseh-Programme, die für Kinder nicht geeignet sind, mit einem persönlichen PIN-Code sperren.

- 1 Zeile »Prog. blockieren« mit »▼« oder »▲« wählen und mit »OK« bestätigen.
- Das Menü »Prog. blockieren« wird eingeblendet.
- 2 Im Menü »Prog. blockieren« das gewünschte Fernseh-Programm mit »▼« oder »▲« wählen und mit »◀◀« (grün) bestätigen.
- Im Menü »Progr. blockieren« wird nach dem Programm das Symbol »P« eingeblendet.
- 3 Einstellung mit »MENU« beenden.

Hinweis:

Zum Freigeben das Fernseh-Programm mit »▼« oder »▲« wählen und Sperre mit »◀◀« (grün) abschalten.

Sendungen autorisieren

Es gibt Spielfilme, deren Inhalt oder auch Szenen nicht für Kinder geeignet sind.

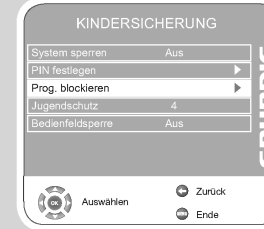
Bestimmte Sendungen enthalten Informationen, die diesen Inhalt oder diese Szenen markieren und sind mit Zugangslevel von 4 bis 18 versehen. Sie können einen der Zugangslevel wählen und damit die Wiedergabe autorisieren.

- 1 Zeile »Jugendschutz« mit »▼« oder »▲« wählen.
- 2 Zugangslevel mit »◀« oder »▶« wählen.
- 3 Einstellung mit »MENU« beenden.

Bedienfeldsperre (Kindersicherung)

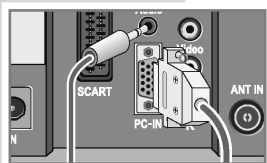
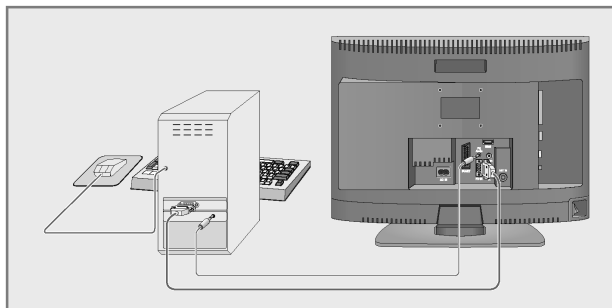
Ist die Bedienfeldsperre aktiviert, sind die Tasten am Fernsehgerät außer Betrieb.

- 1 Zeile »Bedienfeldsperre« mit »▼« oder »▲« anwählen.
- 2 Bedienfeldsperre mit »◀« oder »▶« aktivieren (Ein) oder abschalten (Aus).
- 3 Einstellung mit »MENU« beenden.



BETRIEB ALS PC-MONITOR

PC anschließen



- 1 Buchse »PC-IN« des Fernsehgerätes und die entsprechende Buchse des PCs mit einem VGA Kabel verbinden (Bildsignal).
- 2 Buchse »PC-AUDIO« des Fernsehgerätes und die entsprechenden Buchse des PCs mit geeignetem Kabel verbinden (Tonsignal).

Hinweis:

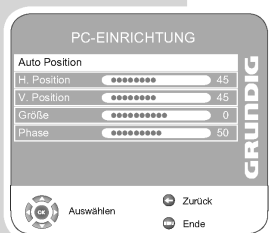
Passen Sie bitte Ihren PC an den Monitor an (Bildschirmauflösung z.B. 1280 x 768, Bildfrequenz z.B. 60 Hz).

Programmplatz für den PC anwählen

- 1 »« drücken, mit »▼« oder »▲« den Programmplatz »PC« wählen und mit »OK« bestätigen.

Einstellungen für den PC

- 1 Menü mit »MENU« aufrufen.
– Das Menü »BILD« wird eingeblendet.
- 2 Menü »PC-EINRICHTUNG« mit »◀« oder »▶« wählen und mit »OK« bestätigen.
- 3 Gewünschte Funktion/Einstellung mit »▼« oder »▲« wählen und mit »◀« oder »▶« Einstellung durchführen.
– Die Möglichkeiten:
»Auto Position« zur automatischen Anpassung an den PC;
»H Position« horizontale Bildposition einstellen;
»V Position« vertikale Bildposition einstellen;
»Größe« Taktfrequenz einstellen;
»Phase« horizontales Flackern, Unschärfen und horizontale Streifen beseitigen.
- 4 Einstellung mit »MENU« beenden.



INFORMATIONEN

Signalinformationen einblenden

(Nur bei digitalen Fernseh-Programmen)

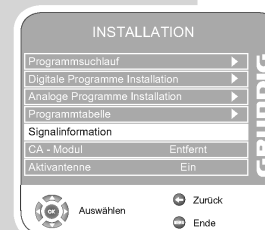
- 1 Menü mit »MENU« aufrufen.
– Das Menü »BILD« wird eingeblendet.
- 2 Menü »INSTALLATION« mit »◀« oder »▶« wählen.
- 3 Zeile »Signalinformation« mit »▼« oder »▲« wählen und mit »OK« bestätigen.
– Sie erhalten Informationen zum Kanal, dem Netzwerk, zur Modulation, zur Qualität und zur Signalstärke.

Hinweise:

Im unteren Abschnitt des Menüs werden die Signaleigenschaften dargestellt. Je weiter der Balken bei »Qualität« und »Signalstärke« nach rechts ausschlägt, desto besser ist das empfangene Signal.

Der Signalpegel hängt nicht nur von Ihrer Empfangsanlage, sondern auch von dem gerade aktiven Kanal ab. Beachten Sie dies, wenn Sie anhand der Signalstärkeanzeige die Ausrichtung Ihrer Antenne kontrollieren!

- 4 Einblendung mit »MENU« beenden.



Software aktualisieren

(Nur bei digitalen Fernseh-Programmen)

- 1 Menü mit »MENU« aufrufen.
– Das Menü »BILD« wird eingeblendet.
- 2 Menü »SONDERFUNKTIONEN« mit »◀« oder »▶« wählen.
- 3 Zeile »Software Update« mit »▼« oder »▲« wählen .
- 4 Software Update mit »OK« starten.
– Die Software wird – falls möglich – automatisch aktualisiert.
- 5 Einstellung mit »MENU« beenden.

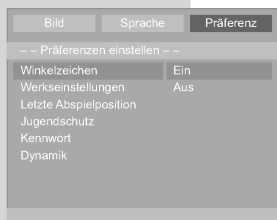


DVD EINSTELLUNGEN

Multi-Angle-Symbol aus- und einblenden

Ist diese Funktion eingeschaltet, werden die aktuelle Kameraperspektive und die Gesamtzahl der Perspektiven angezeigt. Nicht alle DVDs unterstützen diese Funktion.

- 1 Hauptmenü mit »**SETUP**« aufrufen.
- 2 Menüpunkt »Präferenzen« mit »◀« oder »▶« wählen.
- 3 Zeile »Winkelzeichen« mit »▼« oder »▲« wählen und mit »**OK**« aktivieren.
- 4 Funktion mit »▼« oder »▲« Ein- oder Ausschalten und mit »**OK**« bestätigen.
- 5 Menü mit »**SETUP**« abschalten.



DVD-Teil in den Auslieferungszustand schalten

Alle persönlichen Kundeneinstellungen werden in den Auslieferungszustand zurück gesetzt.

- 1 Hauptmenü mit »**SETUP**« aufrufen.
- 2 Menüpunkt »Präferenzen« mit »◀« oder »▶« wählen.
- 3 Zeile »Werkseinstellungen« mit »▼« oder »▲« wählen und mit »**OK**« aktivieren.
- 4 DVD-Teil mit »**OK**« in den Auslieferungszustand schalten.
- 5 Menü mit »**SETUP**« abschalten.



Letzte Wiedergabeposition

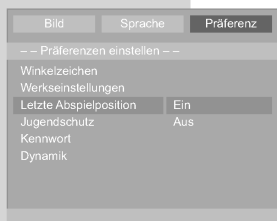
Wenn diese Funktion eingeschaltet ist, kehrt der DVD-Player nach dem Wiedereinschalten automatisch zur letzten Wiedergabeposition zurück und setzt dort die Wiedergabe fort.

- 1 Hauptmenü mit »**SETUP**« aufrufen.
- 2 Menüpunkt »Präferenzen« mit »◀« oder »▶« wählen.
- 3 Zeile »Letzte Abspielposition« mit »▼« oder »▲« wählen und mit »**OK**« aktivieren.
- 4 Funktion mit »▼« oder »▲« wählen (»Ein«) und mit »**OK**« bestätigen.

Hinweis:

Zum Ausschalten der Funktion die Einstellung wiederholen und »Aus« wählen.

- 5 Menü mit »**SETUP**« abschalten.



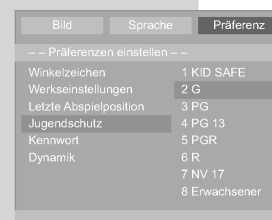
DVD EINSTELLUNGEN

Inhalt der DVD autorisieren

DVDs können Spielfilme anbieten, deren Inhalt oder auch Szenen nicht für Kinder geeignet sind.

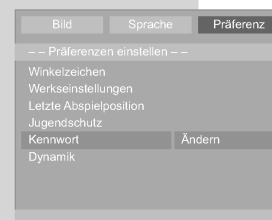
Diese DVDs enthalten Informationen, die diesen Inhalt oder diese Szenen markieren und sind mit Zugangslevel von 1 bis 8 versehen. Sie können einen der Zugangslevel wählen und damit alternative Szenen zur Wiedergabe autorisieren.

- 1 Disc in die Schublade legen.
- 2 Hauptmenü mit »**SETUP**« aufrufen.
- 3 Menüpunkt »Präferenzen« mit »◀« oder »▶« wählen.
- 4 Zeile »Jugendschutz« mit »▼« oder »▲« wählen und mit »**OK**« aktivieren.
- 5 Zugangslevel mit »▼« oder »▲« wählen und mit »**OK**« bestätigen.
- 6 Zum Bestätigen des Zugangslevels das aktuelle Passwort mit den Ziffern-Tasten »0« »0« »0« »0« eingeben und mit »**OK**« bestätigen.
- 7 Menü mit »**SETUP**« abschalten.



Kennwort ändern

- 1 Hauptmenü mit »**SETUP**« aufrufen.
- 2 Menüpunkt »Präferenzen« mit »◀« oder »▶« wählen.
- 3 Zeile »Kennwort« mit »▼« oder »▲« wählen und mit »**OK**« aktivieren.
- 4 Aktuelles Kennwort mit den Ziffern-Tasten »0« »0« »0« »0« eingeben.
- 5 Neues Kennwort mit den Ziffern-Tasten »1 ... 0« vierstellig eingeben.
- 6 Neues Kennwort mit den Ziffern-Tasten »1 ... 0« vierstellig noch einmal eingeben und mit »**OK**« bestätigen.
- 7 Menü mit »**SETUP**« abschalten.



Dynamik ein-/ausschalten

- 1 Hauptmenü mit »**SETUP**« aufrufen.
- 2 Menüpunkt »Präferenzen« mit »◀« oder »▶« wählen.
- 3 Zeile »Dynamik« mit »▼« oder »▲« wählen und mit »**OK**« aktivieren.
- 4 Funktion mit »▼« oder »▲« wählen (»Ein«) und mit »**OK**« bestätigen.
- 5 Menü mit »**SETUP**« abschalten.



Hinweis – Kennwort: Mit dem PIN-Code **1369** können Sie die Einstellungen ändern.

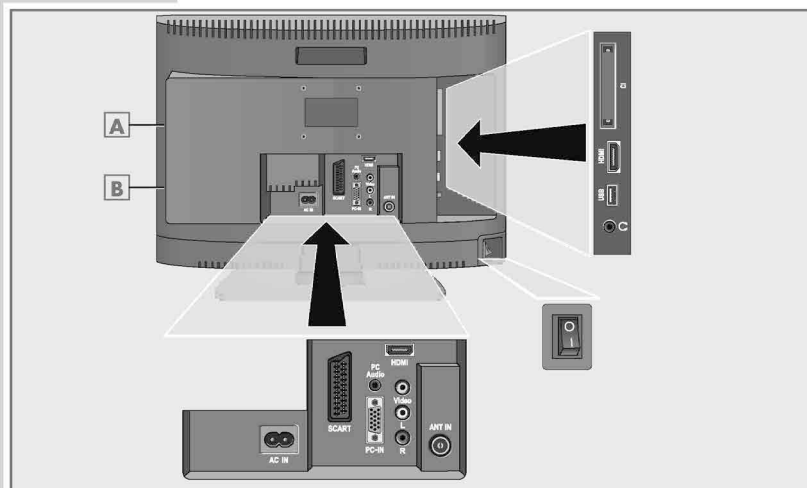
Operating Hints

This chapter contains excerpts from the operating instructions.

For further particulars please refer to the appropriate user instructions which can be downloaded by www.grundig.com, submenu Downloads/Manuals.

OVERVIEW

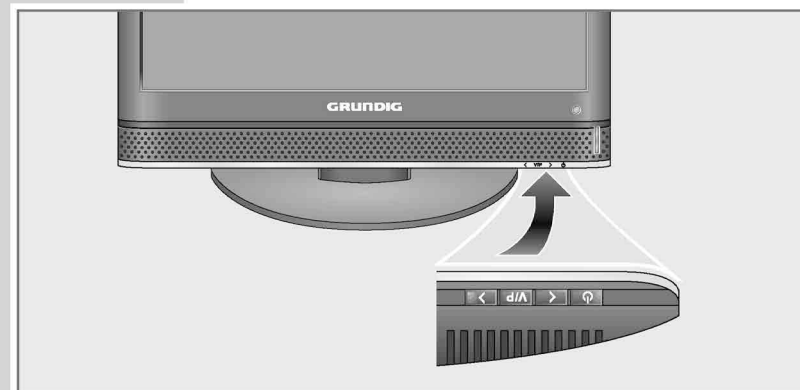
Connections on the television set



A	Disc slot.
B	USB socket for service only.
AC IN	Power cord socket.
SCART	SCART socket (FBAS signal, RGB signal).
PC-IN	VGA socket, video input for PC.
PC Audio	Audio input for PC.
R L	Audio input for camcorder.
Video	Video input for camcorder.
HDMI	HDMI socket, audio/video input (HDMI).
ANT IN	Antenna socket.
	Headphone connection (3.5 mm ø jack).
USB	USB socket for external data media.
HDMI	HDMI socket, audio/video input (HDMI).
CI	Common Interface slot.
I O	Power switch, switches the television to standby or off.

OVERVIEW

Controls on the television set



	Switches the television on from standby and back into standby mode.
	Decreases the volume; station selection down.
V/P	Pre-selection for volume or station. Switches the television on from standby.
	Increases the volume; station selection up.

OVERVIEW



The remote control for television mode

MUTE	Sound on/off (mute).
POWER	Switches the television set in and out of standby mode.
1...0	Switch the television on from standby mode. Select stations directly.
16:9	Switches between picture formats.
0 FAV	Selects station lists.
Q	Selects the zoom function.
i	Displays the number and name of a station (in analogue TV mode); displays the time, preset and station information (in digital TV mode); selects page 100 in teletext mode.
MENU	Opens and closes the menu.
←	Switches to the previous menu.
V+ V-	Adjust the volume.
▼ ▲	Move the cursor up and down.
◀ ▶	Move cursor to the left and right.
OK	Opens the channel list. Activates various functions in the menu.
P+ P-	Switch the television on from standby mode. Select channels in steps.
	Opens the pre-selection for AV channels, the DVD and the USB mode. Then select with »▼◀« or »▲«.
REPEAT	Switches between the two previous selected stations.
?/EPG A-B	Opens the electronic TV guide. Reveals answers in teletext mode.
TXT	Switches between teletext and TV modes.
▶▶ HOLD	Holds the page in teletext mode
	Opens the »Subtitle Languages« menu. Switches to double character size in teletext mode.
	Opens the »Audio Languages« menu. Updates a page in teletext mode.

OVERVIEW



The remote control for DVD and data mode

▶▶ (red)	Selects a page in teletext mode.
◀◀ (green)	Selects a page in teletext mode.
■ (yellow)	Selects a page in teletext mode.
▶▶ (blue)	Selects a page in teletext mode.
16:9 (ANGLE)	During playback, selects various camera angles* for certain scenes or passages on the DVD. (only for DVD mode)
Q	Selects the zoom function.
	For selecting and displaying subtitles* of the DVD during playback.
	Switches between the original and the dubbed language* during DVD playback. Switches between various sound formats.
1 ... 0	Number buttons for various data.
P+	For programming a playback list for the inserted disc. (only for DVD mode)
GOTO	Opens the menu for entering and selecting a track, chapter or playing time. (only for DVD mode)
i	Displays information about the track, the chapter and the playing time.
▼ ▲	Move the cursor up and down.
◀ ▶	Move cursor to the left and right.
OK	Confirms functions.
TITLE	During playback, opens the track menu* of the DVD. (only for DVD mode)
←	During playback, opens the disc menu* of a DVD; switches Playback Control (PBC) on and off (for VCD/S-VCD); opens the file browser during audio/video data playback.
REPEAT	Selects repeat functions.
A-B	Selects the A - B repeat functions. (only for DVD mode)

* Depends on the DVD in use

OVERVIEW



- ⏮ Selects the previous track or section during playback.
- ⏭ Selects the next track or section during playback.
- ⏪ Switches to reverse picture search at various speeds during playback.
- ⏩ Switches to forwards picture search at various speeds during playback.
- ⏏ Ejects the disc.
- ▶|| Starts playback; freeze frame for DVDs and video data; pause for audio and MP3 data.
- Stops all operations.
- **SETUP** Opens the main menu on the DVD unit.

CONVENIENCE FUNCTIONS

Convenience functions

- 1 Open the menu with »MENU«.
– The »PICTURE« menu is displayed.
- 2 Select »OPTIONS« with »◀« or »▶« and press »OK« to confirm.

Note:

Additional operations are explained in the following sections.

Changing the menu language

- 1 Select »Language Settings« with »▼« or »▲« and press »OK« to confirm.
- 2 Select »Language Settings« with »▼« or »▲«.
- 3 Select the language with »◀« or »▶«.
- 4 Press »MENU« to finish the setting.

Language settings

(only for digital television channels)

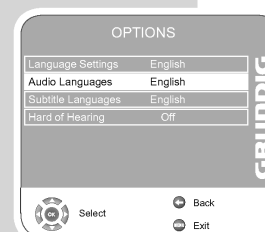
You can alter the appearance of subtitles or disable them, select the subtitle language, select a second subtitle language, and select the audio language and a second audio language.

- 1 Select »Language Settings« with »▼« or »▲« and press »OK« to confirm.
- 2 Select »Audio Languages«, »Subtitle languages«, »Hard of Hearing« with »▼« or »▲« and press »OK« to confirm.
- 3 Select »Primary« or »Secondary« with »▼« or »▲« and press »OK« to confirm.
- 4 Press »◀« or »▶« to make the setting.
- 5 Select »Close« with »▼« or »▲« and press »OK« to confirm.
- 6 Press »MENU« to end the setting.

Resetting the television to its original state

This function enables you to delete the station lists and all custom settings.

- 1 Select »Restore Factory Defaults« with »▼« or »▲« and press »OK« to confirm.
- 2 Select the »Yes « button with »◀« or »▶« and confirm the reset function with »OK«.
– The »Installation Guide« menu is displayed.
- 3 Continue the settings as described in the chapter on searching for television stations on page 15.



CONVENIENCE FUNCTIONS

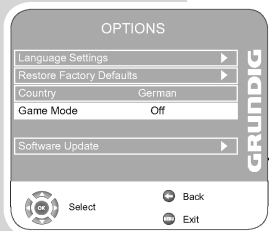
Game mode

This function is only available for preset channels »HDMI«, »YPBPR« or »PC«.

Use this function to adjust the screen settings of the television set for games. Connect the games console using the »HDMI« or »PC-IN« sockets.

You can no longer make settings in the »PICTURE« menu.

- 1 Select »PC/HDMI Game Mode« with »▼« or »▲«
- 2 Press »◀« or »▶« to switch the function on or off.
- 3 Press »MENU« to end the setting.



Parental control

- 1 Open the menu with »MENU«.
- The »PICTURE« menu is displayed.
- 2 Select the »PARENTAL CONTROL« menu with »◀« or »▶« and press »OK« to confirm.
- 3 Enter the PIN code »0000« with »1 ... 0«.

Note:

Additional operations are explained in the following sections.

Lock the system

Using this function, you can lock the television menus so that they can only be accessed by entering a PIN code.

- 1 Select »Lock System« with »▼« or »▲«.
- 2 Activate the lock with »◀« or »▶«.
- 3 Press »MENU« to end the setting.

Changing the PIN code

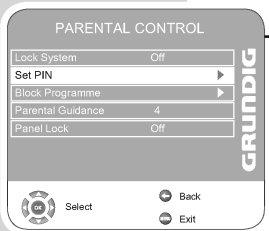
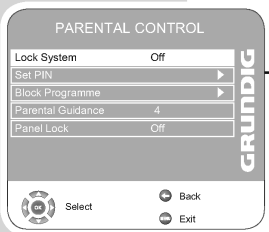
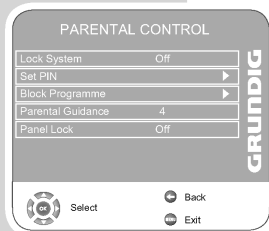
Instead of the default code »0000«, you can enter a personal code.

Please take note of your personal code.

- 1 Select »Set PIN« with »▼« or »▲« and press »OK« to confirm.
- 2 Enter your new personal PIN code with »1 ... 0« in four digits.
- 3 Enter your personal PIN code again with »1 ... 0« and press »OK« to confirm.
- 4 Press »MENU« to end the setting.

Note – Parental control:

Instead of the PIN Code **2356**, you can enter a new personal code.



CONVENIENCE FUNCTIONS

Block a television channel

You can block individual television channels which are not suitable for children using a personal PIN code.

- 1 Select »Block Programme« with »▼« or »▲« and press »OK« to confirm.
- The »Block Programme« menu appears.
- 2 In the »Block Programme« menu, press »▼« or »▲« to select the channel and press »◀◀« (green) to confirm.
- In the »Block Programme« menu the symbol »🔒« is displayed after the station.
- 3 Press »MENU« to end the setting.

Note:

Press »▼« or »▲« to release the channel and switch off the block by pressing »◀◀« (green).

Authorise channels

There are movies which contain contents or scenes which are not suitable for children.

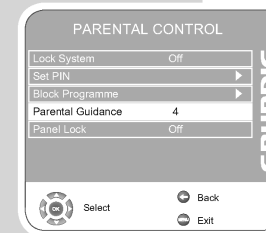
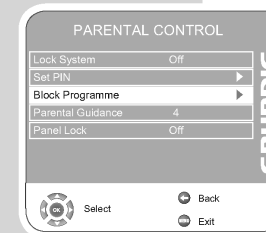
Certain programmes contain information which identifies these contents or scenes and have been given an access level from 4 to 18. You can select one of the access levels and thus authorise the playback.

- 1 Select »Parental Guidance« with »▼« or »▲«.
- 2 Select the access level with »◀« or »▶«.
- 3 Press »MENU« to end the setting.

Blocking the control panel (parental control)

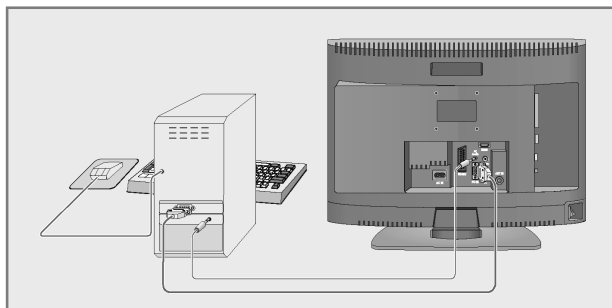
If the control panel block is activated, the buttons on the television do not work.

- 1 Select »Panel Lock« with »▼« or »▲«.
- 2 Activate (On) or deactivate (Off) the panel block with »◀« or »▶«.
- 3 Press »MENU« to end the setting.



PC MONITOR MODE

Connecting a PC

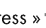


- 1 Connect the socket »PC-IN« on the television to the corresponding socket on the PC using a VGA cable.
- 2 Connect the socket »PC AUDIO« on the television to the corresponding socket on the PC using a cinch cable (audio signal).

Note:

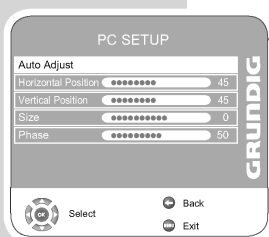
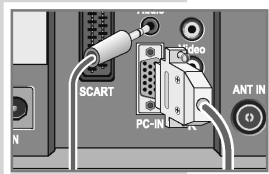
Adjust your PC to the monitor (for example, picture resolution 1280 x 768, picture frequency 60 Hz).

Selecting the channel position for the PC

- 1 Press », select the »PC« channel with »▼« or »▲« and press »OK« to confirm.

Settings for the PC

- 1 Open the menu with »MENU«.
 - The »PICTURE« menu is displayed.
- 2 Select the »PC SETUP« menu with »◀« or »▶« and confirm with »OK«.
- 3 Select the function or setting you want with »▼« or »▲« and press »◀« or »▶« to execute it.
 - Options:
 - »Auto Adjust« For automatic PC configuration;
 - »Horizontal Position« Adjust the picture position horizontally;
 - »Vertical Position« Adjust the picture position vertically;
 - »Size« Set the cycle frequency;
 - »Phase« Remove horizontal flicker, blurring and horizontal lines.
- 4 Press »MENU« to finish the settings.



INFORMATION

Displaying signal information

(only for digital television channels)

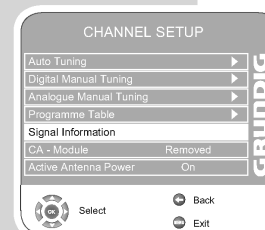
- 1 Open the menu with »MENU«.
 - The »PICTURE« menu appears.
- 2 Select the menu »CHANNEL SETUP« with »◀« or »▶«.
- 3 Select »Signal Information« with »▼« or »▲« and press »OK« to confirm.
 - You will see information on the channel, modulation, quality and signal strength.

Notes:

The lower section of the menu shows the signal properties. The further the bar for »Quality« and »Signal Strength« extends to the right, the better the reception signal.

The signal level not only depends on your receiver system, but also on the channel which is currently active. Remember this when aligning your antenna using the signal level display.

- 4 Press »MENU« to end the display.



Updating software

(only for digital television channels)

- 1 Open the menu with »MENU«.
 - The »PICTURE« menu appears.
- 2 Select the »OPTIONS« menu with »◀« or »▶«.
- 3 Select the »Software Update« menu by pressing »▼« or »▲«.
- 4 Press »OK« to start the software update.
 - The software is updated automatically, if possible.
- 5 Press »MENU« to end the setting.

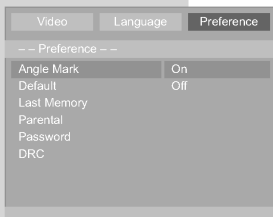


DVD SETTINGS

Displaying and concealing the multi-angle symbol

If this function is activated, the current camera perspective and all the camera angles are displayed. Not all DVDs have this function.

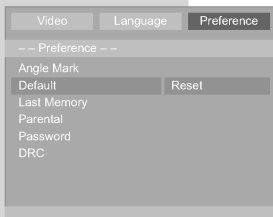
- 1 Press »**SETUP**« to open the main menu.
- 2 Select the »Preference« menu item with »◀« or »▶«.
- 3 Select the »Angle Mark« by pressing »▼« or »▲« and press »OK« to activate.
- 4 Press »▼« or »▲« to switch the function on and off and press »OK« to confirm.
- 5 Press »**SETUP**« to close the menu.



Resetting the DVD to its original condition

All custom settings are restored to the original status.

- 1 Press »**SETUP**« to open the main menu.
- 2 Select the »Preference« menu item with »◀« or »▶«.
- 3 Select »Default« by pressing »▼« or »▲« and press »OK« to activate.
- 4 Press »OK« to restore the DVD to the original condition.
- 5 Press »**SETUP**« to close the menu.



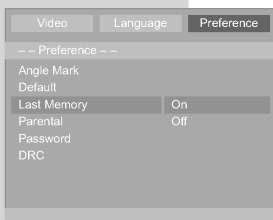
Last playback position

When this function is activated, the DVD player automatically returns to the last playback position and resumes playing once it is switched on again.

- 1 Press »**SETUP**« to open the main menu.
- 2 Select the »Preferences« menu item with »◀« or »▶«.
- 3 Select the »Last Memory« by pressing »▼« or »▲« and press »OK« to activate.
- 4 Select the function by pressing »▼« or »▲« (On) and press »OK« to confirm.

Note:

- To deactivate the screen saver, repeat the setting and select »Off«.
- 5 Press »**SETUP**« to close the menu.



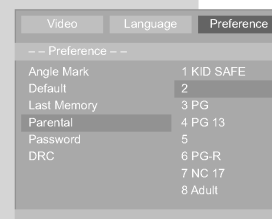
DVD SETTINGS

Authorising the content of a DVD

Films on DVD may be wholly or partially unsuitable for children.

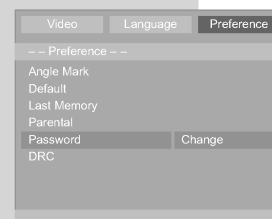
These DVDs contain information which marks the content or scenes with access levels of 1 to 8. You can select one of the access levels and thus authorise alternative scenes for playback.

- 1 Place a disc in the compartment.
- 2 Press »**SETUP**« to open the main menu.
- 3 Select the »Preference« menu item with »◀« or »▶«.
- 4 Select »Parental« by pressing »▼« or »▲« and press »OK« to activate.
- 5 Select the access level by pressing »▼« or »▲« and press »OK« to confirm.
- 6 To confirm the access level, enter the current password with the number buttons »0« »0« »0« »0« and press »OK« to confirm.
- 7 Press »**SETUP**« to close the menu.



Changing the password

- 1 Press »**SETUP**« to open the main menu.
- 2 Select the »Preference« menu item with »◀« or »▶«.
- 3 Select »Password« by pressing »▼« or »▲« and press »OK« to activate.
- 4 Enter your current password with the number buttons »0« »0« »0« »0«.
- 5 Enter the new four-digit access code with the number buttons »1 ... 0«.
- 6 Enter the new four-digit access code with the number buttons »1 ... 0« and press »OK« to confirm.
- 7 Press »**SETUP**« to close the menu.

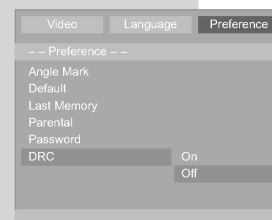


Switching the dynamic range (volume range) on and off

- 1 Press »**SETUP**« to open the main menu.
- 2 Select the »Preference« menu item with »◀« or »▶«.
- 3 Select »Post DRC« by pressing »▼« or »▲« and press »OK« to activate.
- 4 Select the function with »▼« or »▲« (»On«) and press »OK« to confirm.
- 5 Press »**SETUP**« to close the menu.

Note – Password:

Instead of the PIN Code **1369**, you can enter a new password.



Service- und Sonderfunktionen

Tastenfunktionen

- M Aufrufen/Beenden des Dialog Centers /
Beenden des Service Mode
- ▲ ▼ Menü-Zeile (Menüpunkt) wählen
- OK Aufrufen der Menüs
- ◀ ▶ Wert ändern
- ← Untermenü: Zurück zum Hauptmenü
Hauptmenü: Beenden des Service Mode

Service-Mode aktivieren

- Taste M (TV-Menü) drücken.
- Zahlenfolge 8500 eingeben.

Service-Mode beenden

- Taste M drücken.

1. Grundeinstellwerte

Die Grundeinstellwerte im Service Mode sind in der Tabelle enthalten.

Service and Special Functions

Functions of the buttons

- M Call up/exit the Dialog Center /
exit the Service Mode
- ▲ ▼ Call up the dialogue line (point of menu)
- OK Call up the Menus
- ◀ ▶ Changing the settings
- ← Submenu: Back to main menu
Main menu: Exit the Service Mode

Calling up the Service Mode

- Press button "M" (TV Menu).
- Enter the code number 8500.

Exit the Service Mode

- Press button M.

1. Basic Settings

The table shows all basic specific settings in the service mode.

Menü Menu ▲ / ▼	Menüpunkt Point of Menu OK	Einstellung Adjustment ◀ / ▶	22 VLC 2004 DVD	Vision 2 19-2940 T DVD	Vision 2 22-2940 T DVD	Hinweis Hint
OPTIONS 0	STANDBY	CUSTOMER	X	X	X	Netz-Ein / Power on → Standby
		FACTORY				Netz-Ein / Power on → Programm 1
	TEXT	FAST TOP/ FAST/TOP/NONE	FAST	FAST	FAST	
	TEXT PAGE	10/250/1000	1000	1000	1000	
	* TUNER		Eingebauten Tuner wählen Select used tuner			
	PLUG PLAY	ON	ATS Reset: Netz ein → Automatischer Sendersuchlauf Power on → automatic programme search			
		OFF	X	X	X	
	HDCP VERIFY		prüft HDCP im EEPROM / verifies HDCP in EEPROM			
* 0.1 WATT	Ein/Aus	Aus	Aus	Aus		
OPTIONS 1	Blue Back	ON/OFF	ON	ON	ON	
	Panorama	AVAIL/NAVAIL	AVAIL	AVAIL	AVAIL	
	* Remote		Fernbedienung wählen / Select used remote control			
	Keypad	3 BUTTON+1STD	X	X	X	
		TOUCH BUTTON				
		JOYSTICK				
	Hotel	AVAIL/NAVAIL	NAVAIL	NAVAIL	NAVAIL	Hotel-Mode
	Hotel Volume	0...100	65	65	65	Max. Lautstärke im Hotel-Mode Hotel mode – volume maximum
	Hotel First Power	Power ON/Standby	Standby	Standby	Standby	
	7 Segment Disp.	AVAIL/NAVAIL	NAVAIL	NAVAIL	NAVAIL	
Eco TV	ON/OFF	OFF	OFF	OFF		
* PVR-Dateisystem	ON/OFF	OFF	OFF	OFF		
OPTIONS 2	PC	AVAIL/NAVAIL	AVAIL	AVAIL	AVAIL	
	HDMI 1	AVAIL/NAVAIL	AVAIL	AVAIL	AVAIL	
	HDMI 2	AVAIL/NAVAIL	AVAIL	AVAIL	AVAIL	
	AV	AVAIL/NAVAIL	AVAIL	AVAIL	AVAIL	Audio/Video-Eingang Audio/Video Input
	S-Video	AVAIL/NAVAIL	AVAIL	AVAIL	AVAIL	S-Video-Eingang S-Video Input
	Scart	AVAIL/NAVAIL	AVAIL	AVAIL	AVAIL	
	YPBPR	AVAIL/NAVAIL	AVAIL	AVAIL	AVAIL	
	* USB	AVAIL/NAVAIL	AVAIL	AVAIL	AVAIL	
DVD	AVAIL/NAVAIL	AVAIL	AVAIL	AVAIL		
SOUND OPTIONS	L	AVAIL/NAVAIL	AVAIL	AVAIL	AVAIL	
	Headphone	AVAIL/NAVAIL	AVAIL	AVAIL	AVAIL	Kopfhörer / Headphone
	* ATS	AVAIL/NAVAIL	AVAIL	AVAIL	AVAIL	Autom. Programmsortierung nach Suchlauf Autom. programme sorting at autoprogram operation
	* SRS TruSurround XT	AVAIL/NAVAIL	AVAIL	AVAIL	AVAIL	
HIDEV MONO	AVAIL/NAVAIL	NAVAIL	NAVAIL	NAVAIL		
IF- SET- TINGS	AGC VHF	0...31	6	6	6	
	AGV UHF	0...31	0	0	0	
	AGC LPRIME	0...31	8	8	8	

* Abhängig von der Software / dependend of software

Alle weiteren Menüs werden über die Gerätesoftware programmiert und dürfen nicht verstellt werden.
All other menus are programmed by the software of the set and must not be adjusted.

2. Software-Versionsnummer

Die Software-Versionsnummer wird unten im Menü Sonderfunktionen und im Service Menü angezeigt, z.B.:

ST5GR.F8M.R128M.V00.T24

3. Programmsuchlauf

- Taste **M** (TV-Menü) drücken.
- "INSTALLATION" mit den Tasten ◀▶ anwählen und mit der Taste **OK** bestätigen.
- "Programmsuchlauf" mit den Tasten ▲▼ anwählen und mit der Taste ▶ bestätigen.
- Gewünschtes Land mit den Tasten ◀▶ auswählen.
- "Suchtyp" mit den Tasten ▲▼ anwählen und mit den Tasten ◀▶ einstellen.
- "Zeitzone" mit den Tasten ▲▼ anwählen und mit den Tasten ◀▶ einstellen.
- "Programmsuchlauf" mit der Taster **OK** starten.

Das automatische Sendersuchsystem stoppt bei jedem empfangswürdigen Sender (AFC und Koinzidenz) und speichert automatisch die entsprechenden Senderdaten mit dem jeweiligen Standard. Danach wird der Suchlauf fortgesetzt.

Zum Abbrechen des Suchlaufes die Taste **M** drücken.

2. Software Version Number

The software version number is shown on the lower part of the options menu and the service menu, e.g.:

ST5GR.F8M.R128M.V00.T24

3. Channel Search

- Press button **M** (TV Menu).
- Select "CHANNEL SETUP" with the buttons ◀▶ and confirm with button **OK**.
- Select "Auto Tuning" with the buttons ▲▼ and confirm with button ▶.
- Select the required Country with the buttons ◀▶.
- Select "Scan Type" with the buttons ▲▼ and adjust with buttons ◀▶.
- Select "Time Zone" with the buttons ▲▼ and adjust with buttons ◀▶.
- Start "Channel setup" with the button **OK**.

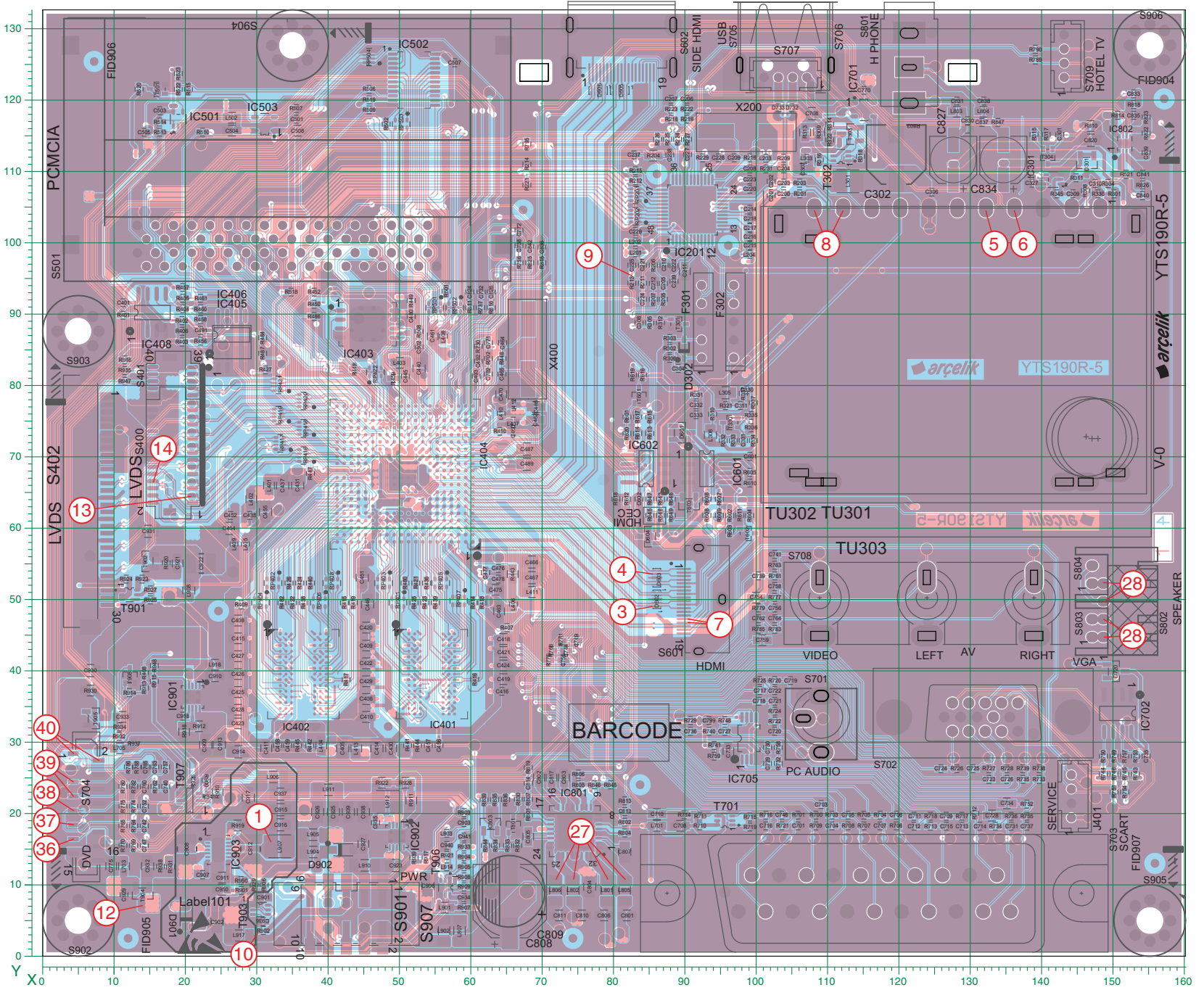
The auto programme system stops at every station of acceptable reception quality (AFC and coincidence) and stores the station data and the respective standard automatically. The system then continues searching.

Pressing the **M** button stops the programme search.

Chassisplatte / Chassis Board

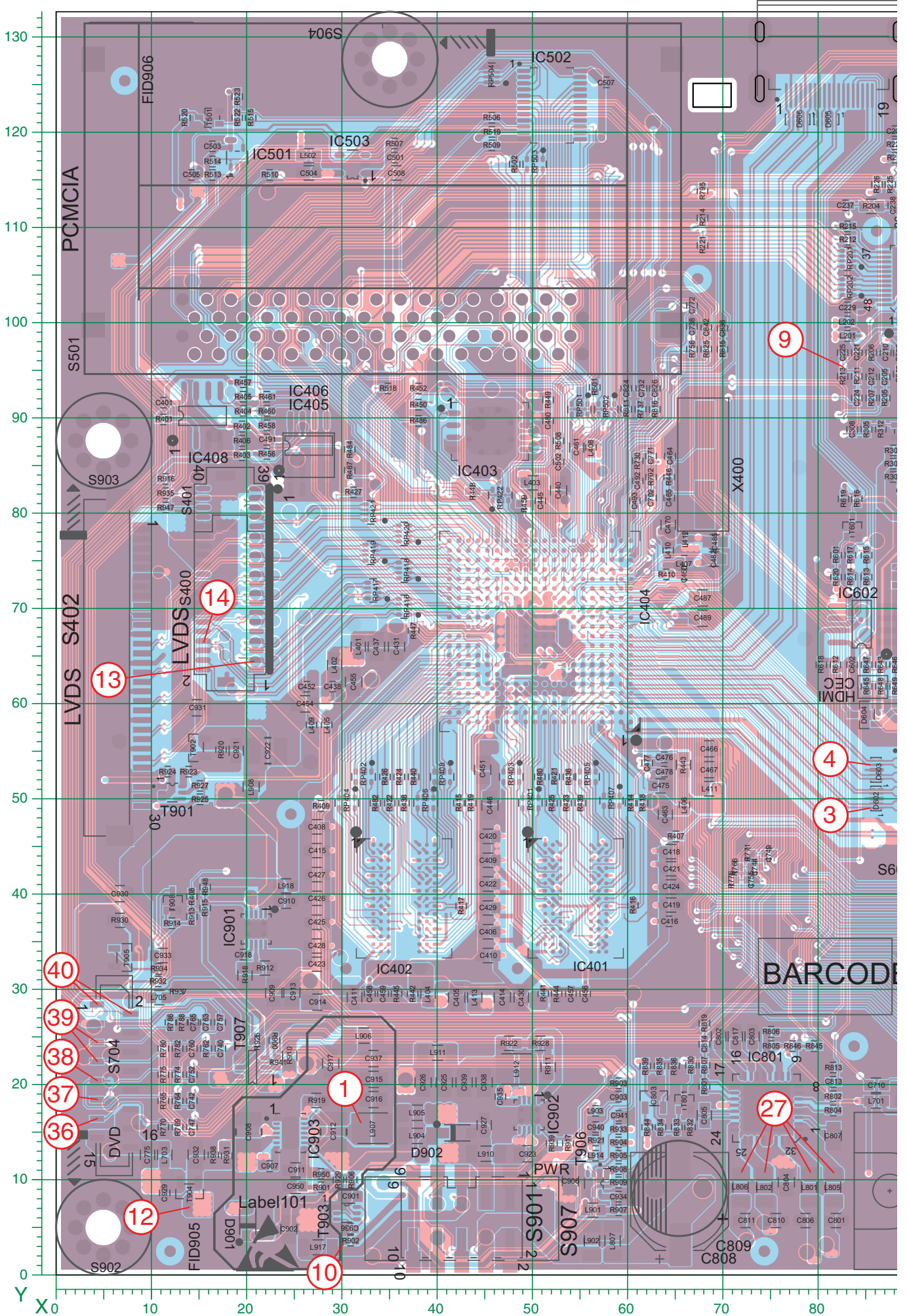
YTS190R-5

Ansicht von der Bestückungsseite
View of Component Side



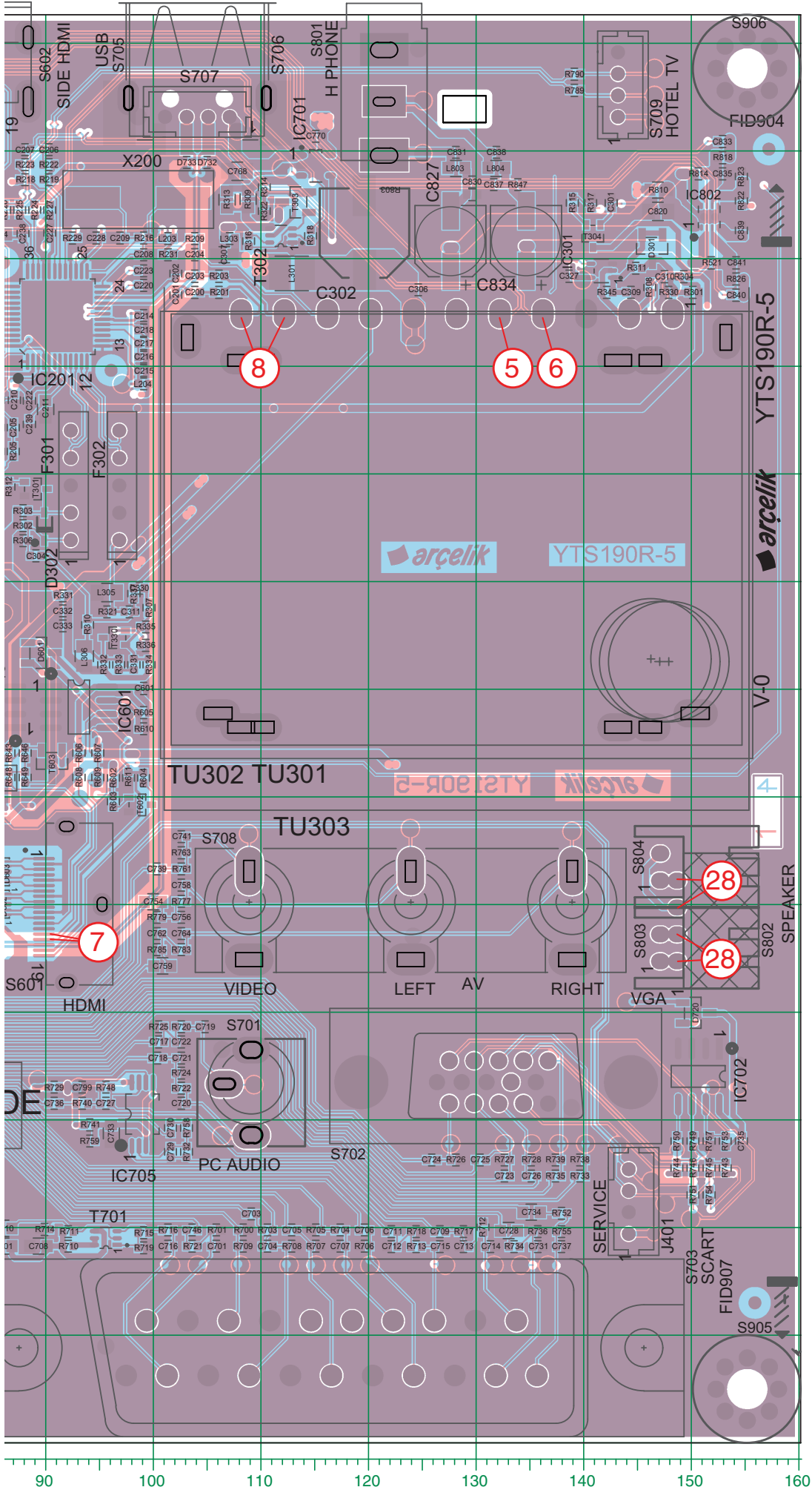
Chassisplatte / Chassis Board YTS190R-5

Ansicht von der Bestückungsseite / View of Component Side



Chassisplatte / Chassis Board YTS190R-5

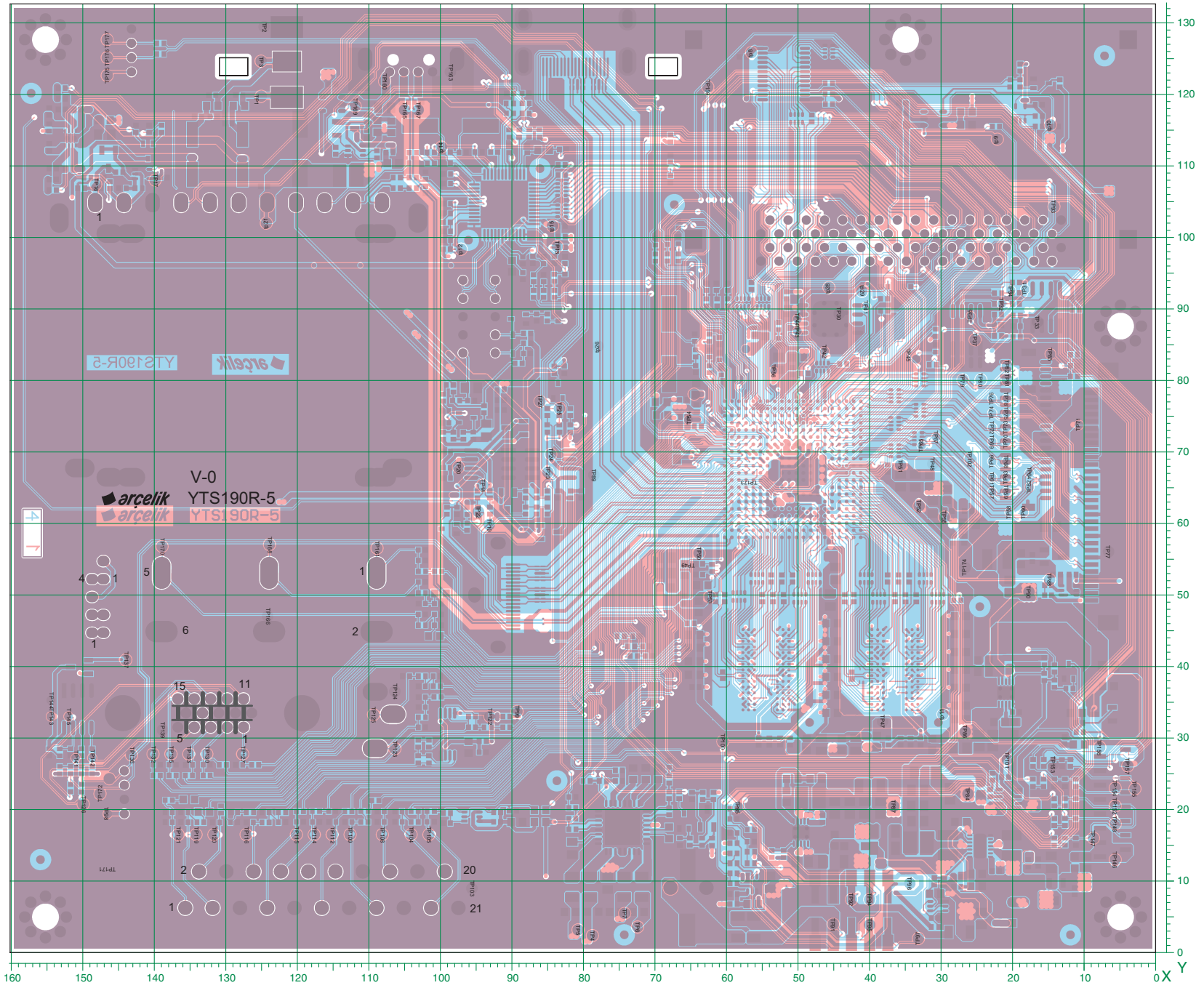
Ansicht von der Bestückungsseite / View of Component Side



Chassisplatte / Chassis Board

YTS190R-5

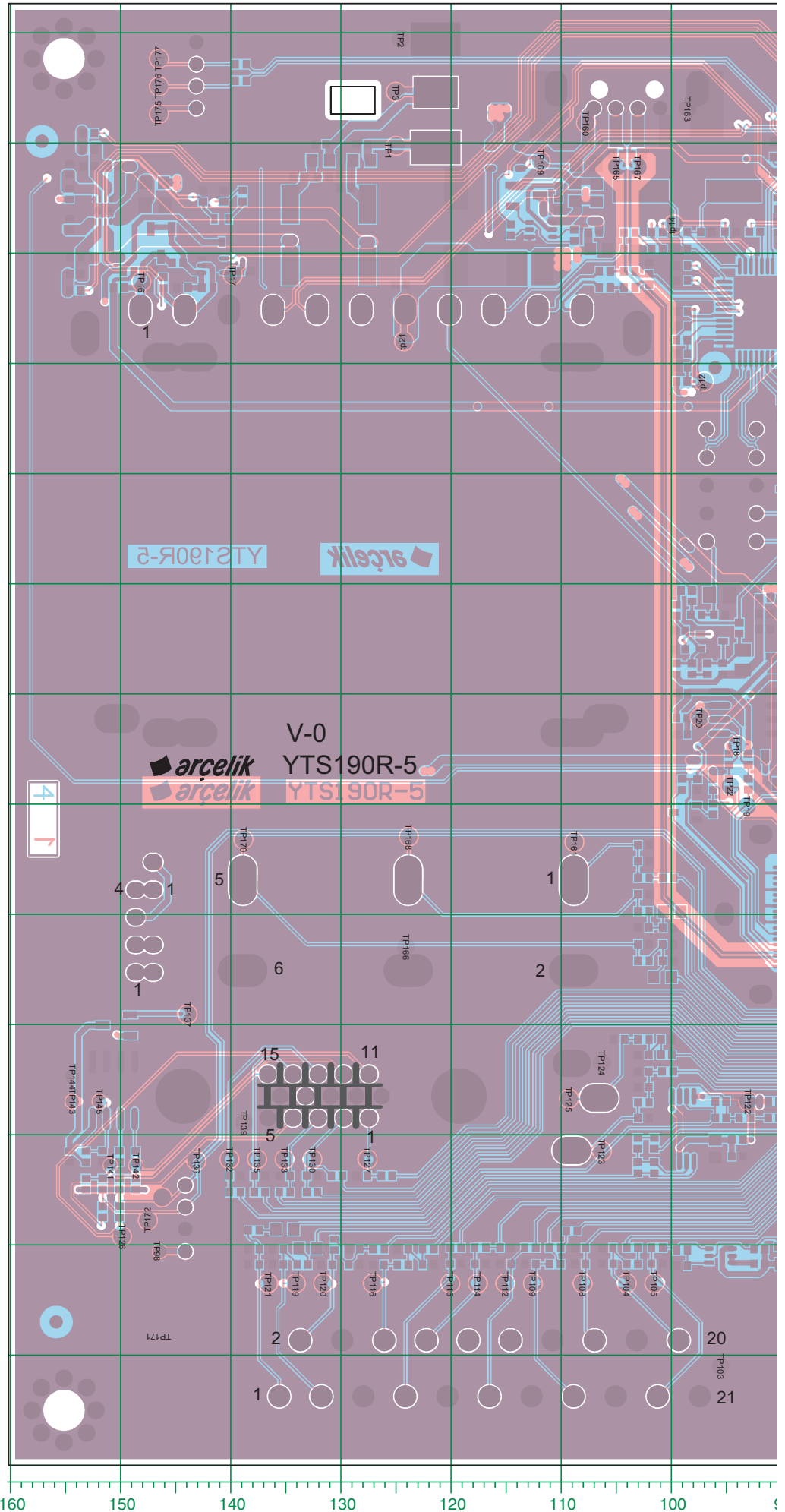
Ansicht von der Lötseite
View of Solder Side



Chassisplatte / Chassis Board YTS190R-5

Ansicht von der Lötseite / View of Solder Side

POS.	X	Y	POS.	X	Y
TP1	B 125	120	TP96	B 34	10
TP2	B 125	129	TP97	B 33	2
TP3	B 125	124	TP98	B 146	19
TP4	B 79	2	TP99	B 89	34
TP5	B 81	3	TP100	B 61	30
TP6	B 72	4	TP101	B 21	27
TP7	B 74	6	TP102	B 26	69
tp8	B 57	126	TP103	B 96	9
tp9	B 22	114	TP104	B 104	17
tp10	B 15	116	TP105	B 102	17
tp11	B 30	33	TP108	B 108	17
tp12	B 97	98	TP109	B 113	17
TP13	B 84	99	TP112	B 115	17
tp14	B 100	113	TP114	B 118	17
tp15	B 84	102	TP115	B 120	17
TP16	B 148	107	TP116	B 127	17
TP17	B 140	108	TP119	B 134	17
TP18	B 94	65	TP120	B 132	17
TP19	B 93	60	TP121	B 137	17
TP20	B 97	68	TP122	B 93	33
tp21	B 124	102	TP123	B 106	29
TP22	B 95	62	TP124	B 106	37
TP23	B 85	67	TP125	B 109	33
TP24	B 85	70	TP126	B 150	21
TP25	B 83	76	TP127	B 128	28
tp26	B 78	85	TP130	B 133	28
TP27	B 86	77	TP132	B 140	28
tp28	B 46	93	TP133	B 135	28
tp29	B 41	92	TP135	B 138	28
TP30	B 44	89	TP136	B 143	28
TP31	B 18	93	TP137	B 144	41
TP32	B 22	91	TP139	B 139	31
TP33	B 17	88	TP141	B 151	27
TP34	B 20	93	TP142	B 149	27
TP35	B 26	89	TP143	B 154	33
TP37	B 25	86	TP144	B 154	35
TP41	B 41	90	TP145	B 152	33
TP42	B 46	84	TP146	B 6	13
TP43	B 50	87	TP147	B 9	16
TP44	B 50	89	TP148	B 6	18
TP45	B 33	83	TP152	B 6	21
TP47	B 38	32	TP153	B 14	26
TP48	B 31	68	TP154	B 6	23
TP49	B 65	78	TP155	B 3	23
TP50	B 64	56	TP157	B 4	26
TP51	B 36	68	TP158	B 8	29
TP52	B 33	62	TP159	B 63	121
TP53	B 62	50	TP160	B 108	122
TP54	B 65	74	TP161	B 109	57
TP55	B 30	61	TP163	B 99	123
TP56	B 53	81	TP165	B 105	118
TP57	B 23	64	TP166	B 124	47
TP58	B 21	62	TP167	B 103	118
TP59	B 21	64	TP168	B 124	57
TP60	B 19	62	TP169	B 112	118
TP61	B 23	66	TP170	B 139	57
TP62	B 18	65	TP171	B 146	24
TP63	B 21	66	TP172	B 147	22
TP64	B 18	67	TP173	B 57	84
TP65	B 33	71	TP174	B 27	54
TP66	B 23	69	TP175	B 146	123
TP67	B 31	72	TP176	B 146	125
TP68	B 21	69	TP177	B 146	128
TP69	B 23	71			
TP70	B 21	71			
TP71	B 11	74			
TP72	B 23	73			
TP73	B 21	73			
TP74	B 23	75			
TP75	B 21	75			
TP76	B 23	77			
TP77	B 7	56			
TP78	B 21	77			
TP79	B 27	80			
TP80	B 25	80			
TP81	B 21	80			
TP82	B 21	82			
TP83	B 15	84			
TP84	B 26	22			
TP85	B 58	20			
TP86	B 27	31			
TP87	B 37	20			
TP88	B 15	52			
TP89	B 79	67			
TP90	B 18	50			
TP91	B 45	4			
TP92	B 43	7			
TP93	B 14	104			
TP94	B 40	7			
TP95	B 40	4			

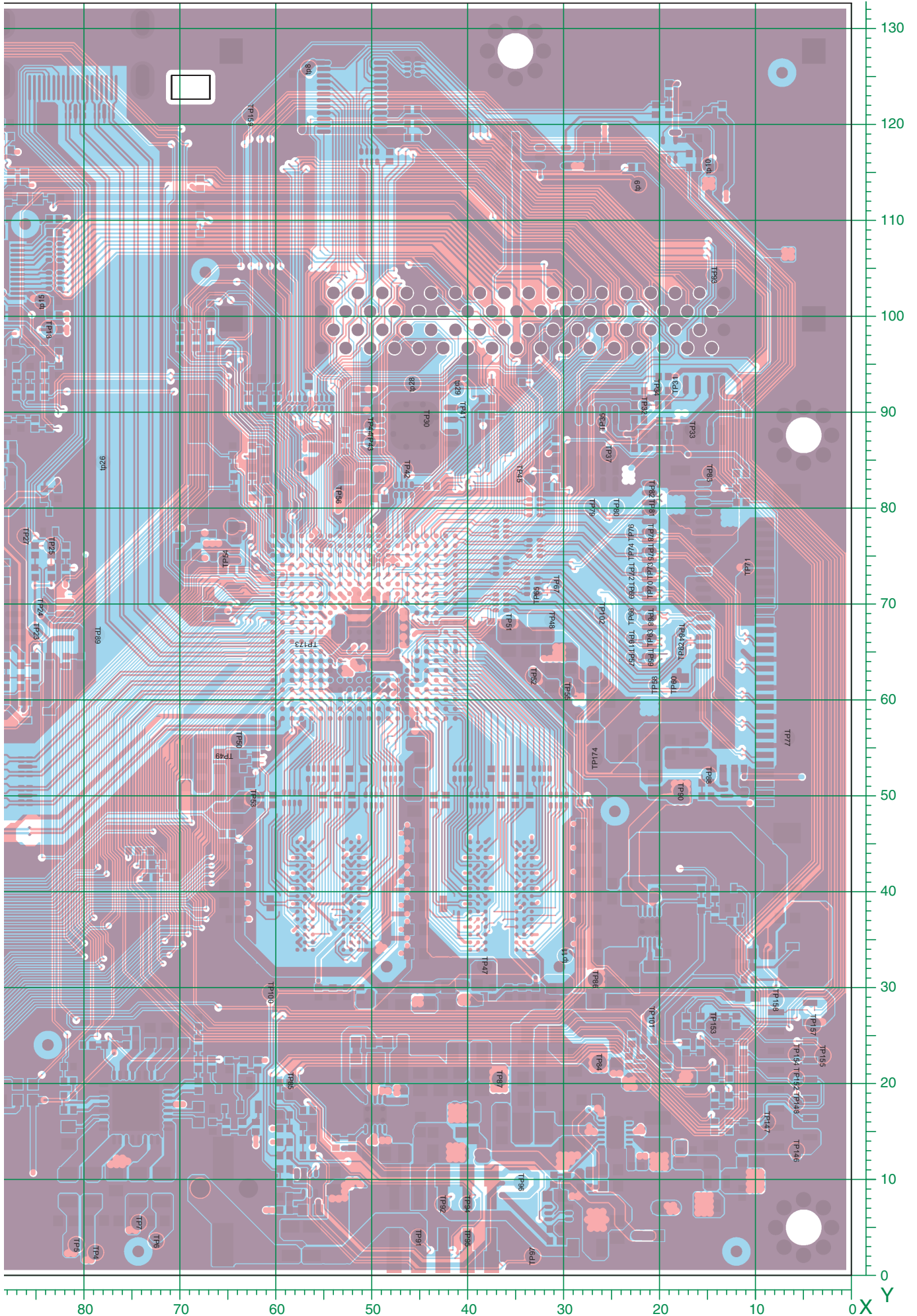


T: Bestückungsseite / Component Side
 B: Lötseite / Solder Side

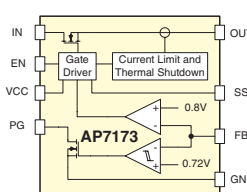
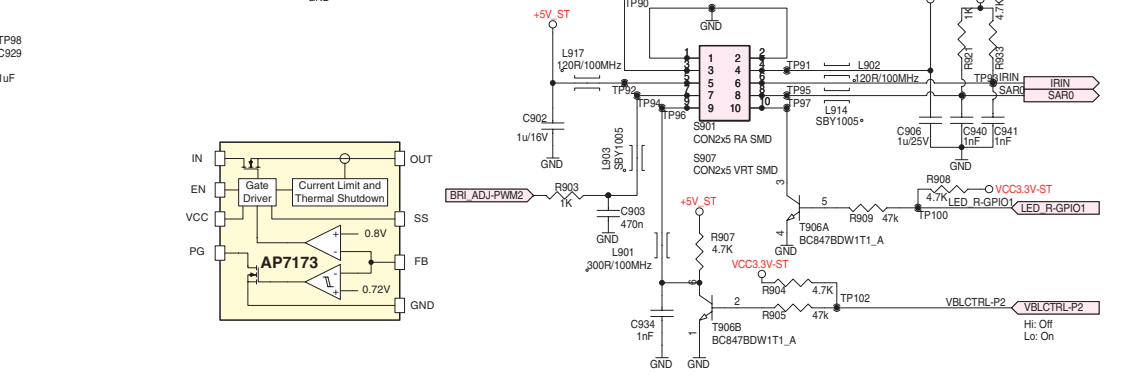
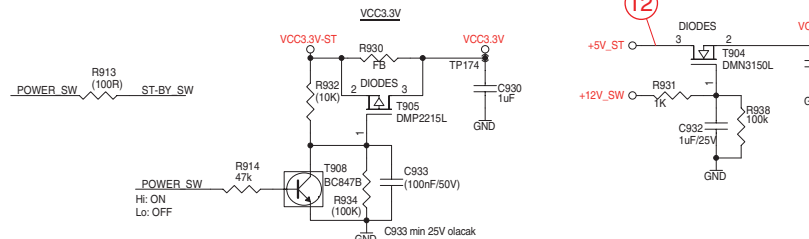
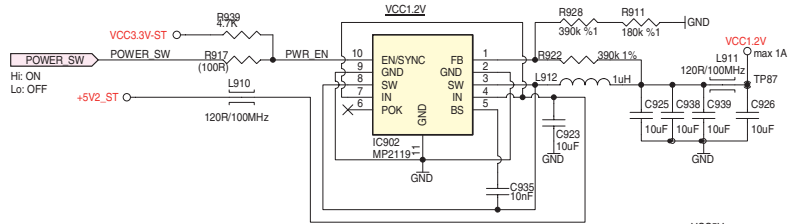
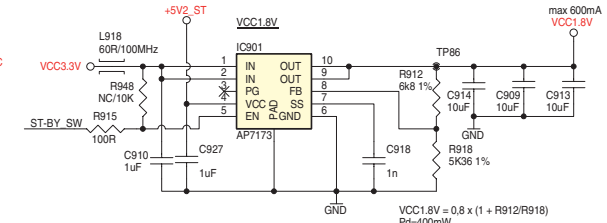
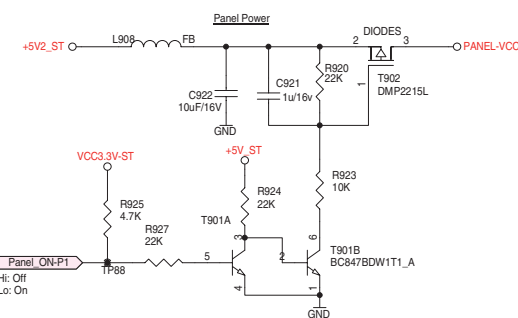
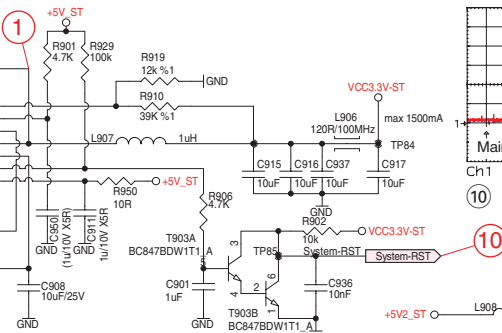
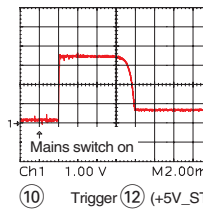
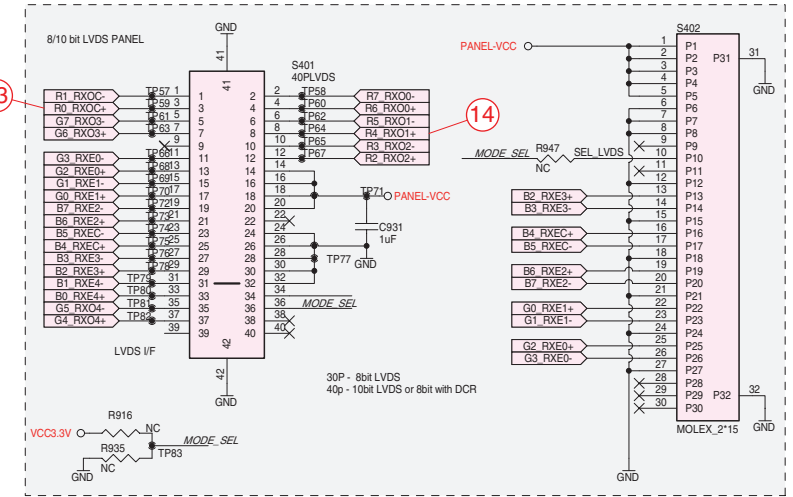
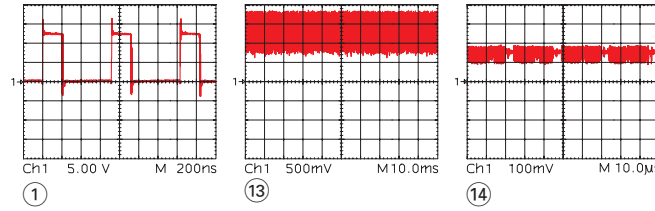
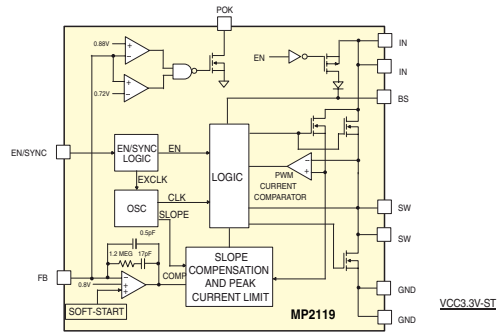
160 150 140 130 120 110 100 90

Chassisplatte / Chassis Board YTS190R-5

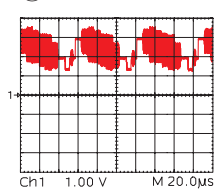
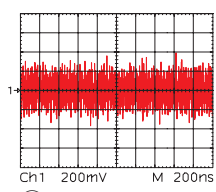
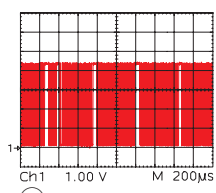
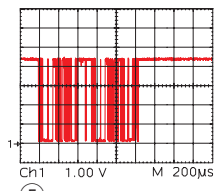
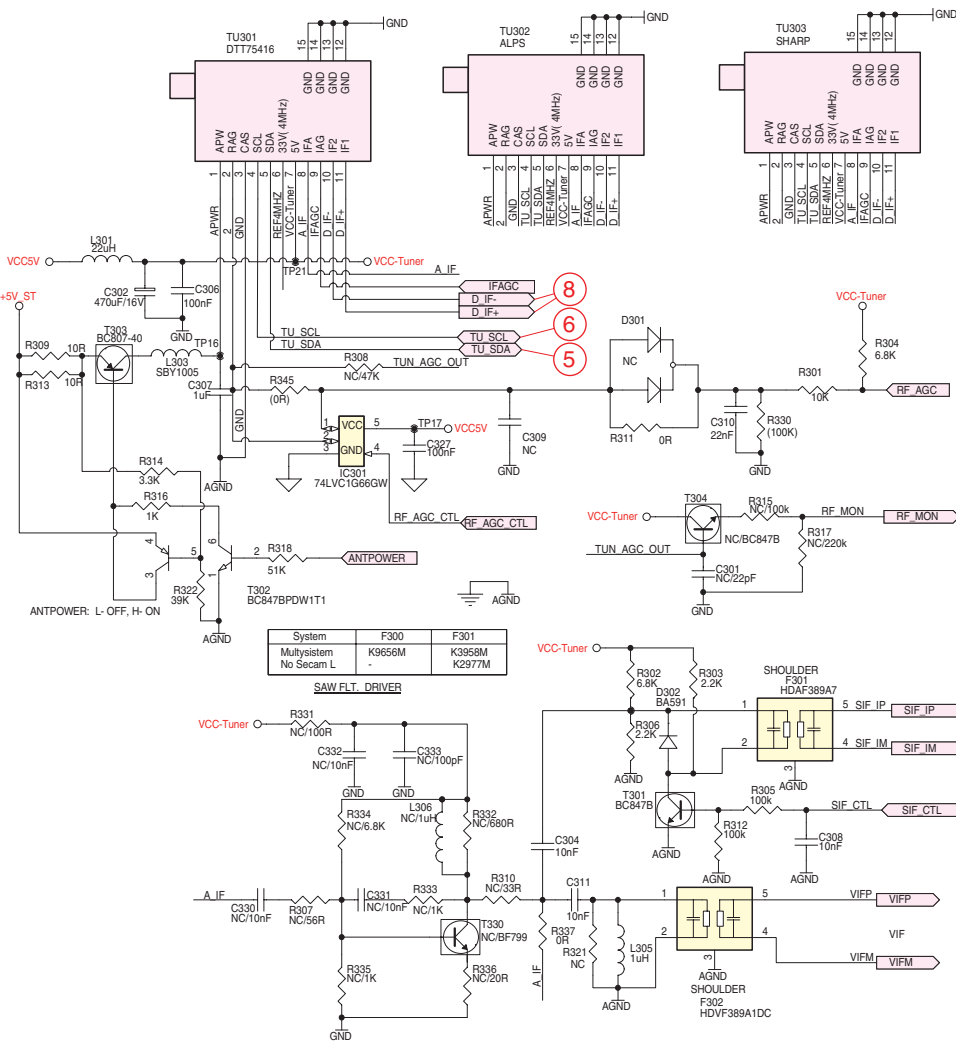
Ansicht von der Lötseite / View of Solder Side



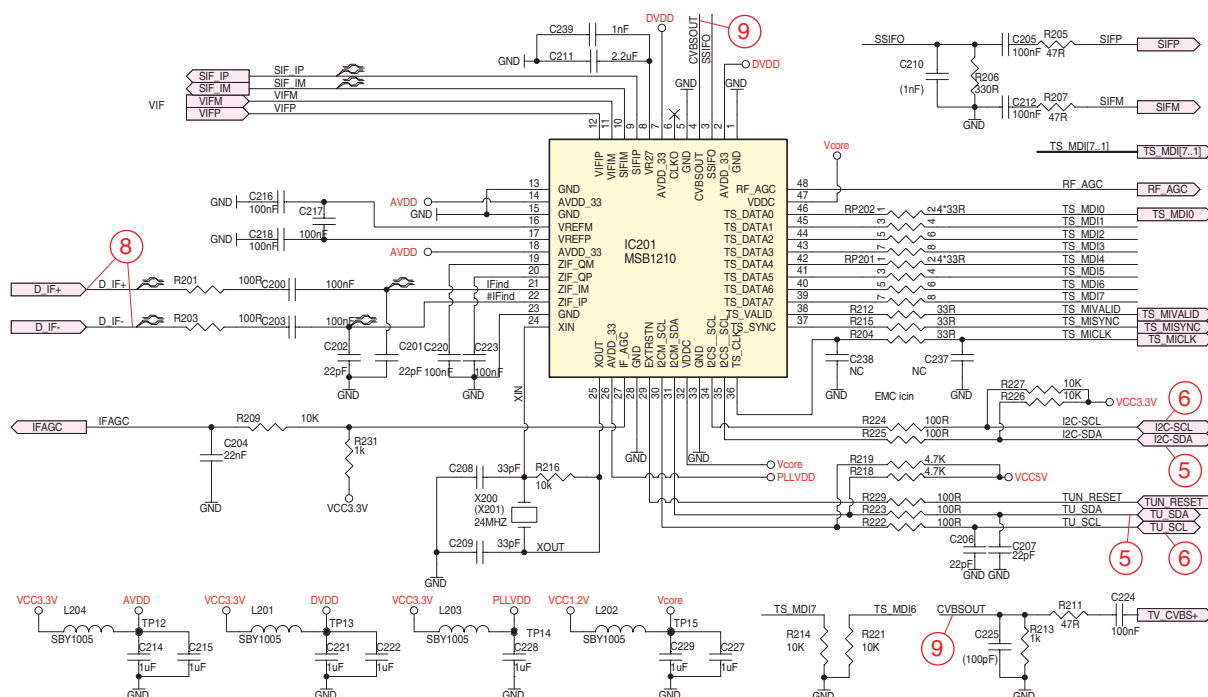
Chassisplatte – Netzteil/LVDS / Chassis Board – Power Supply/LVDS YTS190R-5



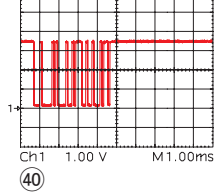
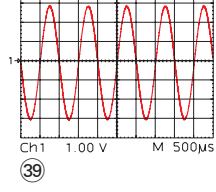
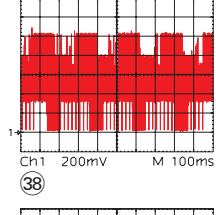
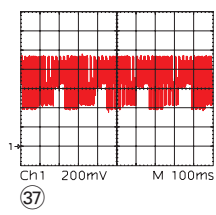
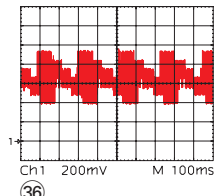
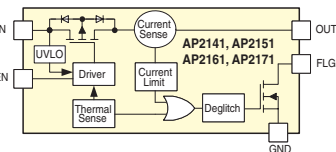
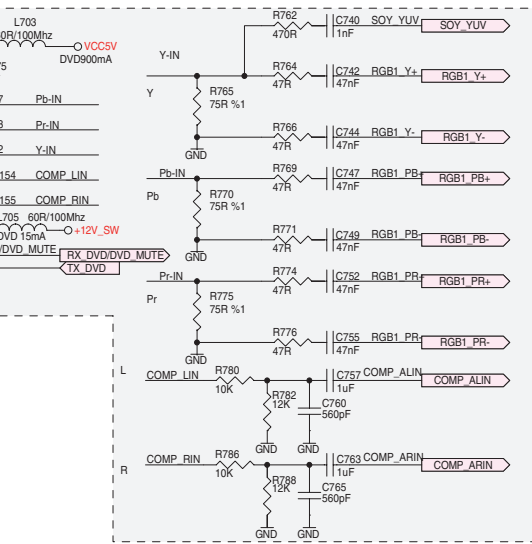
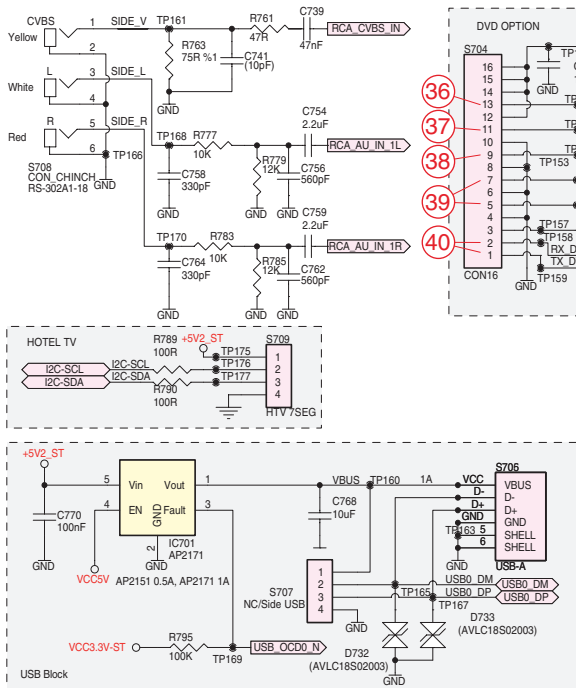
Chassisplatte / Chassis Board – Tuner YTS190R-5



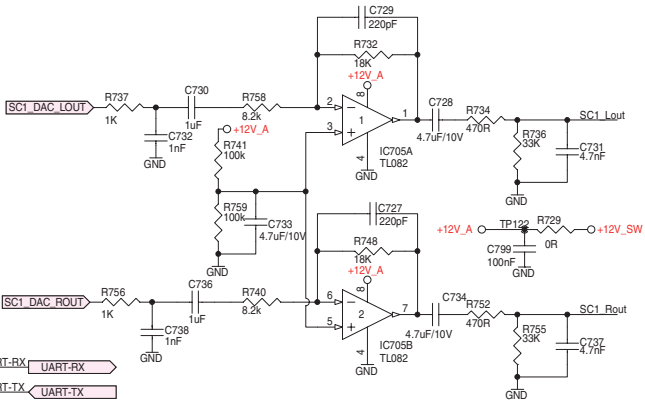
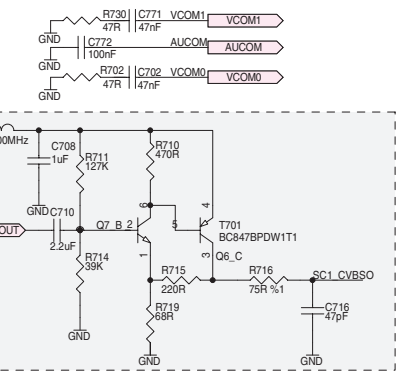
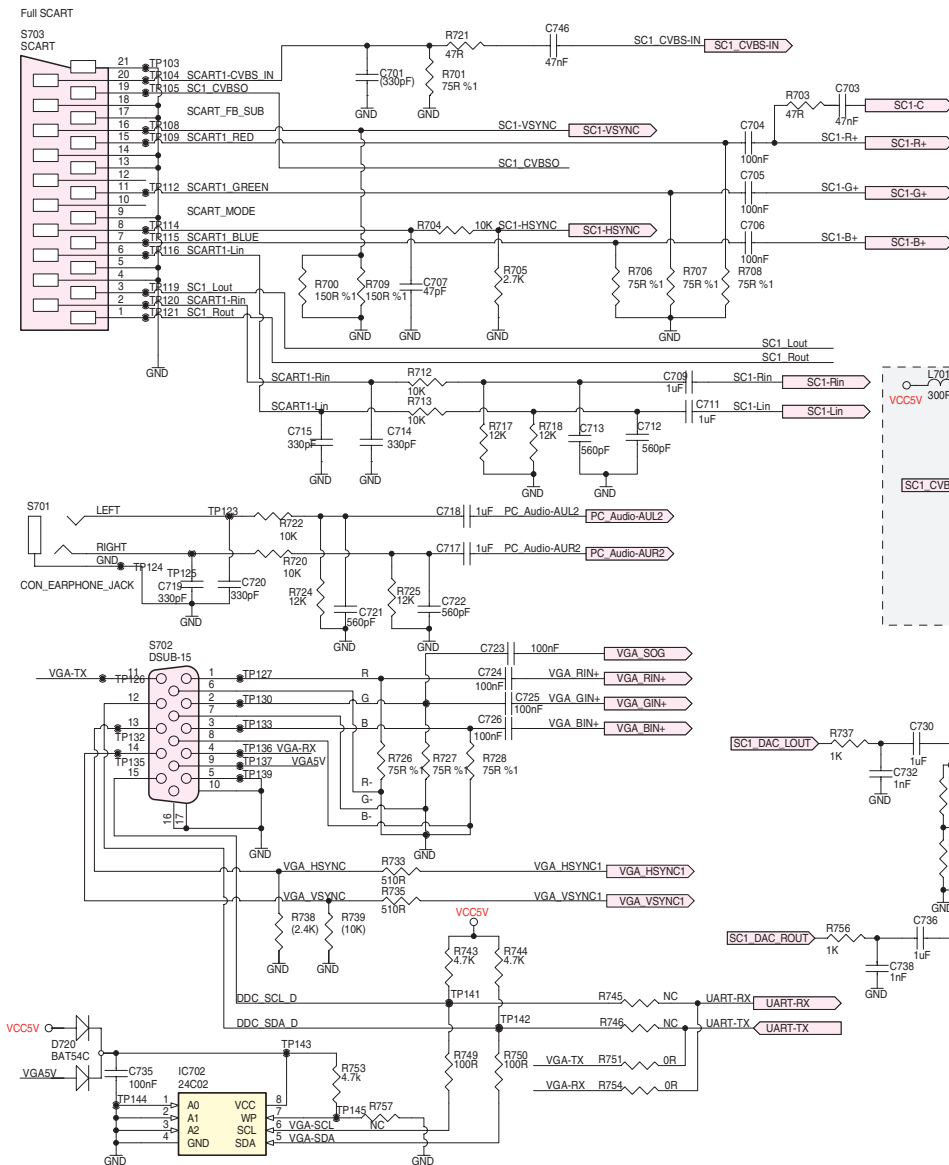
Chassisplatte / Chassis Board – COFDM Demodulator YTS190R-5

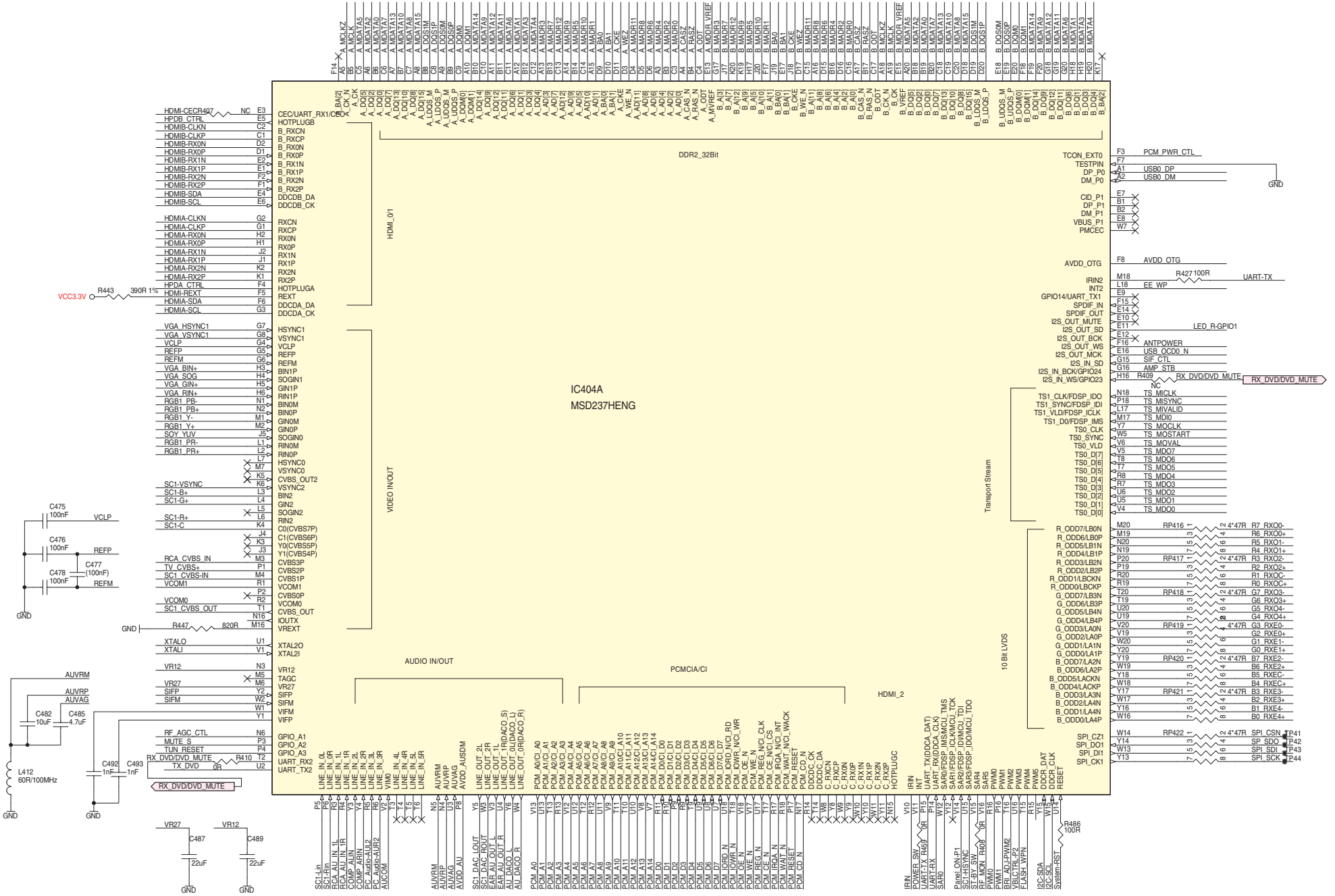


Chassisplatte / Chassis Board – Interface DVD, AV, Hotel, USB YTS190R-5

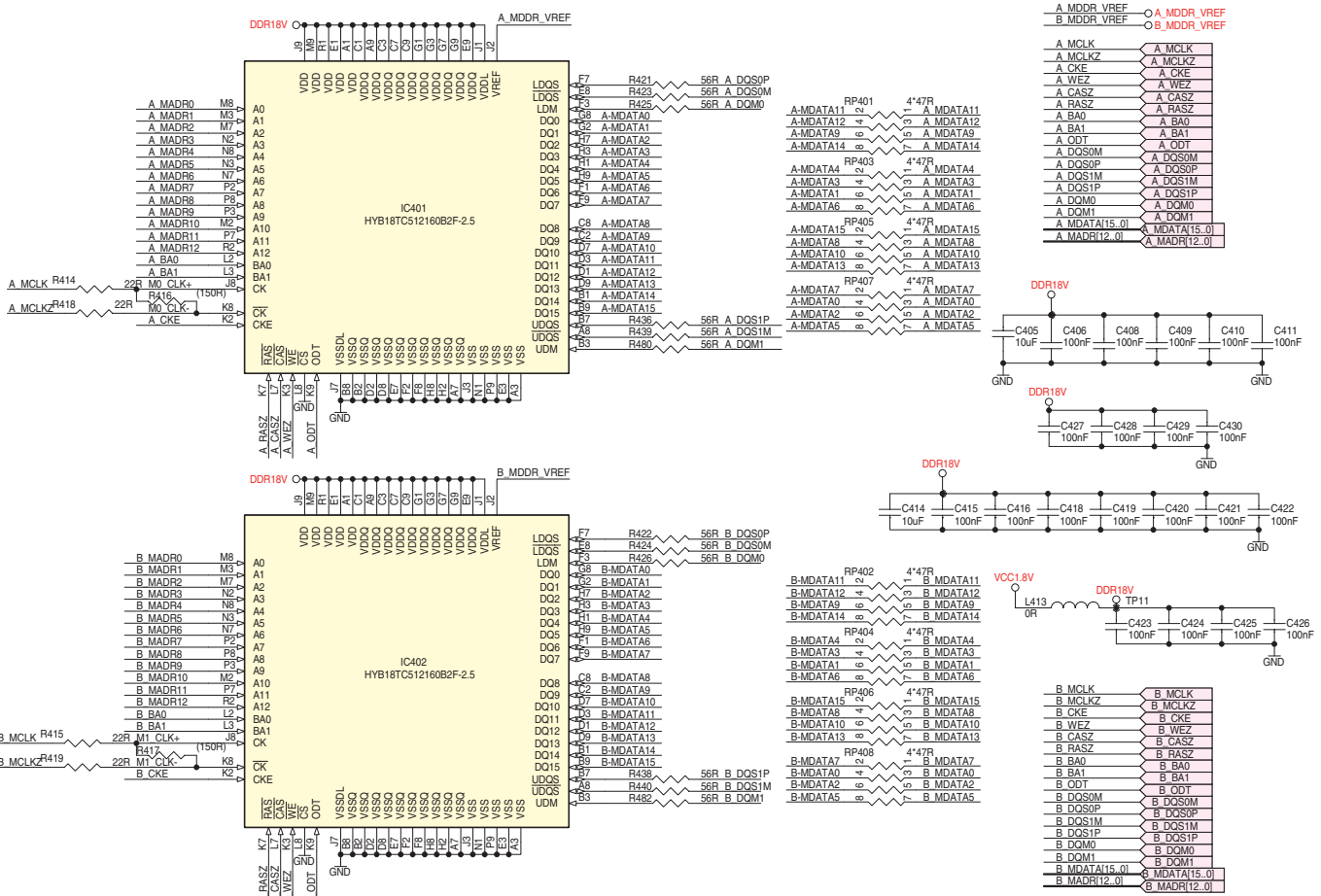


Chassisplatte / Chassis Board – SCART, VGA YTS190R-5

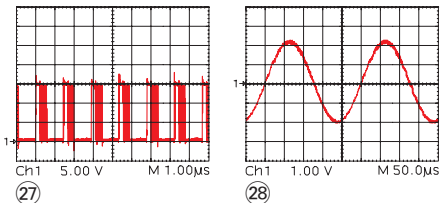
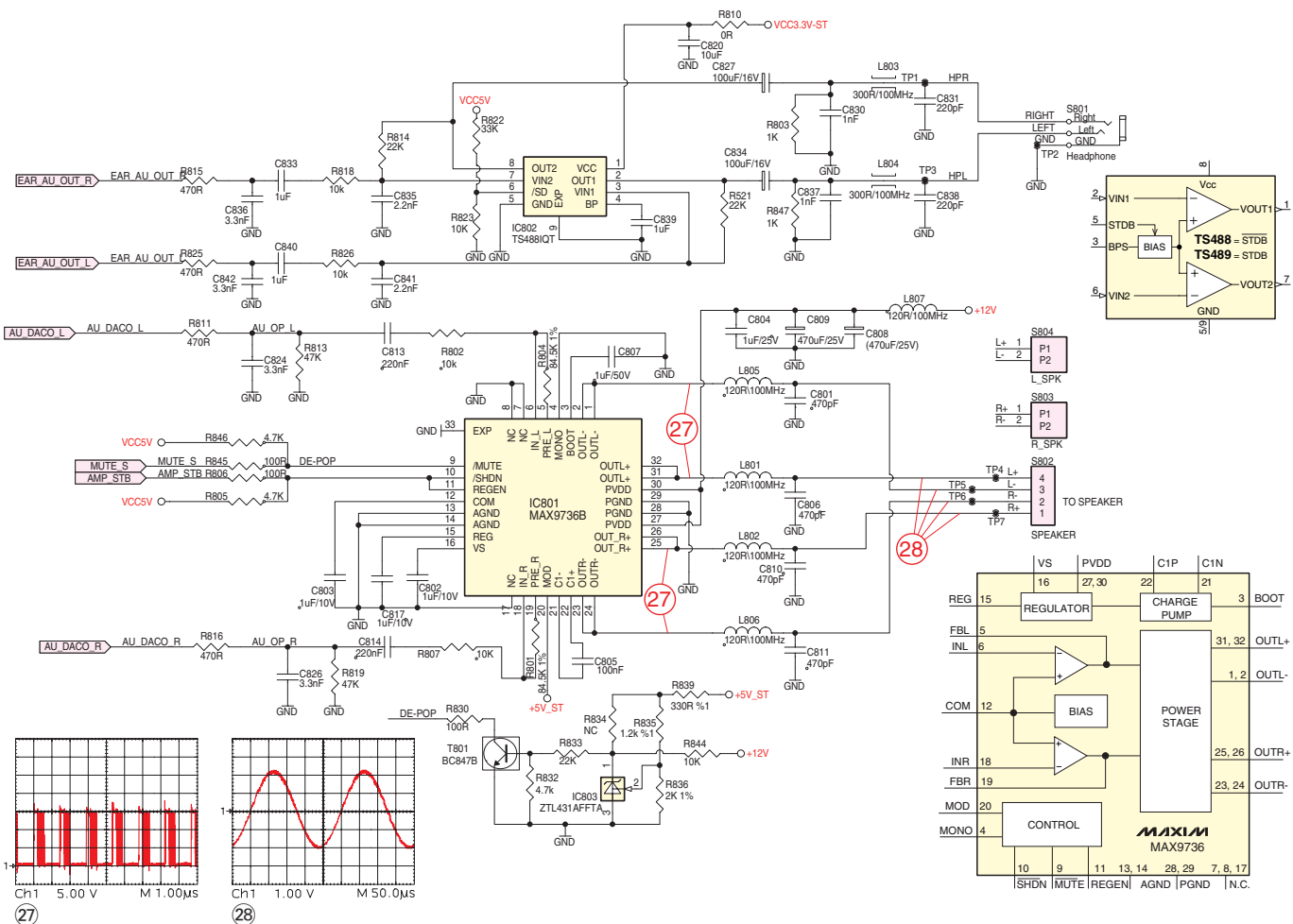




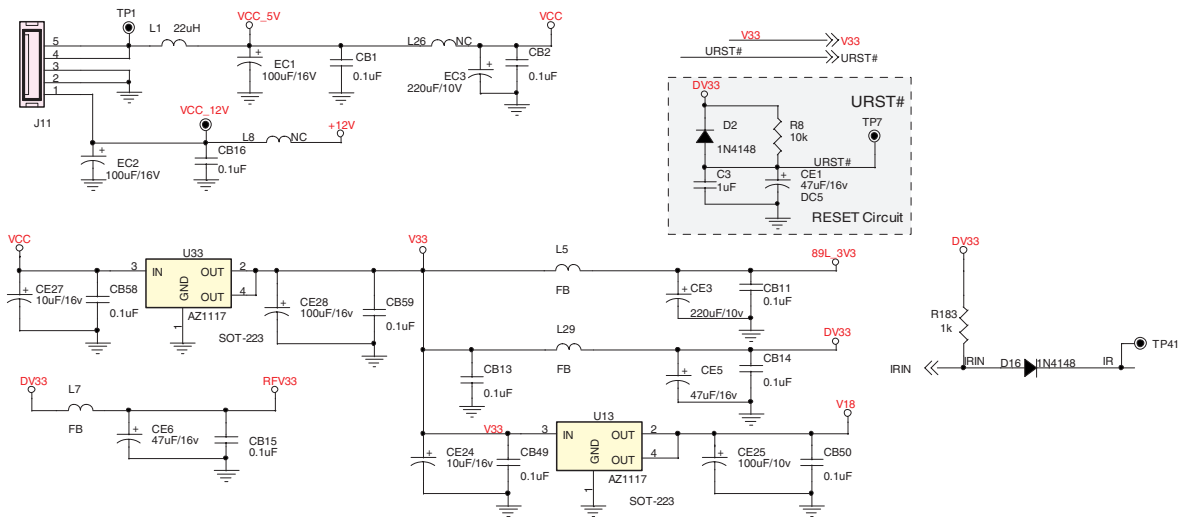
Chassisplatte / Chassis Board – Scaler RAM YTS190R-5



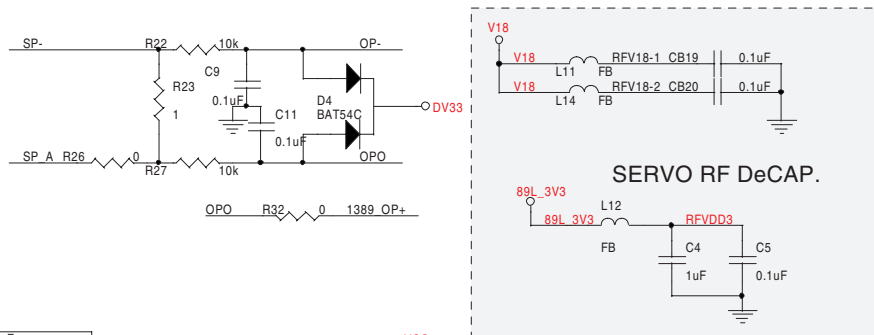
Chassisplatte – Verstärker / Chassis Board – Amplifier YTS190R-5



DVD – Power

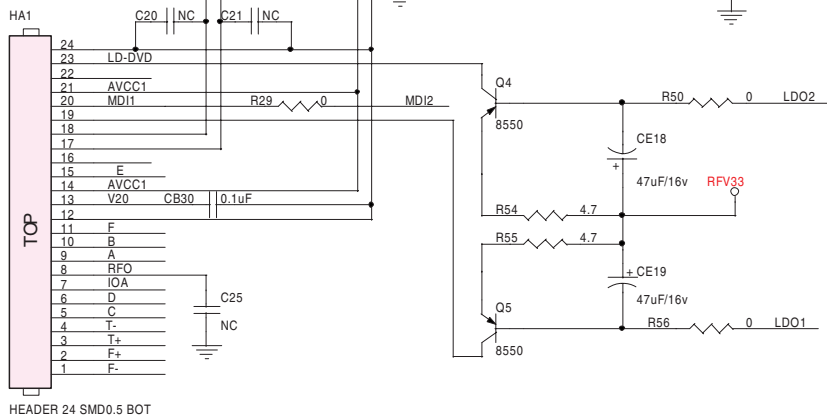


DVD – MPEG/Processor

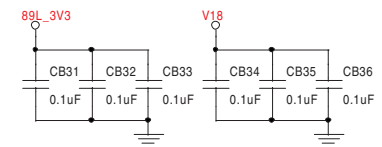
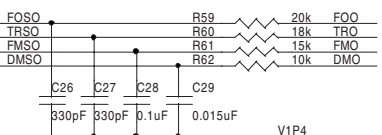
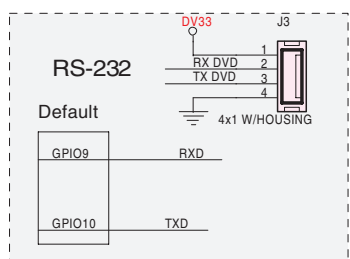
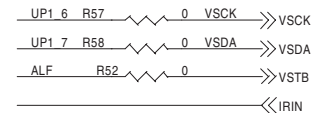


1	F-
2	F+
3	T-
4	T+
5	C/c
6	D/d
7	CD/DVD SW
8	RF
9	A/a
10	B/b
11	F
12	GND-PD
13	Vc(Vref)
14	Vcc
15	E
16	NC
17	VR-CD
18	VR-DVD
19	CD-LD
20	MD
21	HFM
22	NC
23	DVD-LD
24	GND-LD

SANYO HD6x

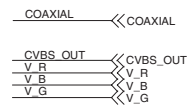
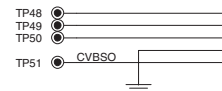
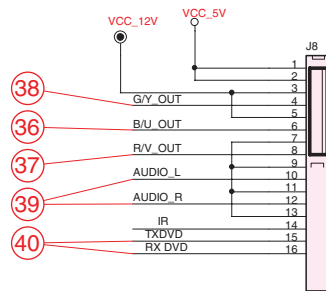
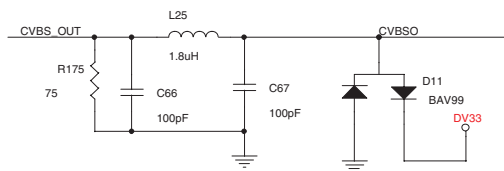
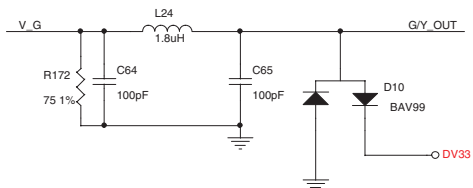
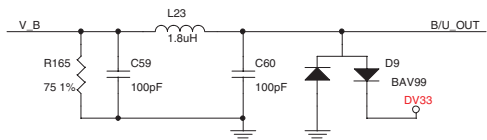
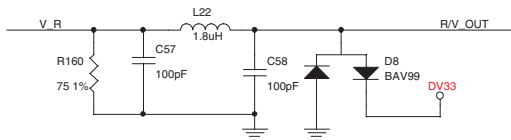
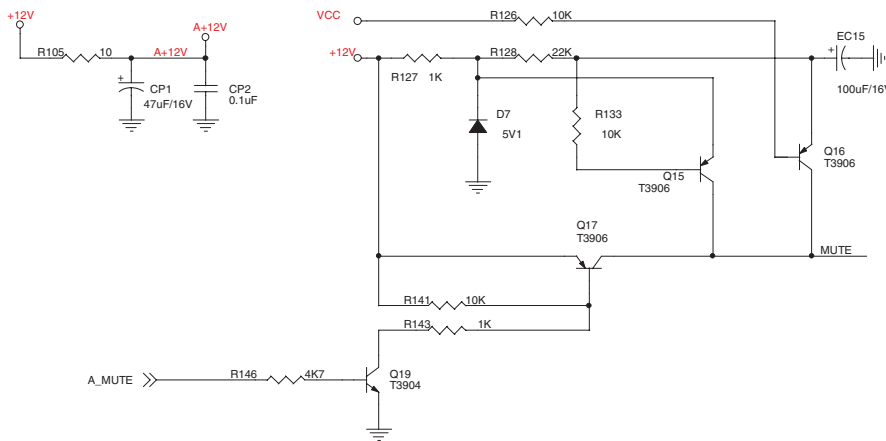
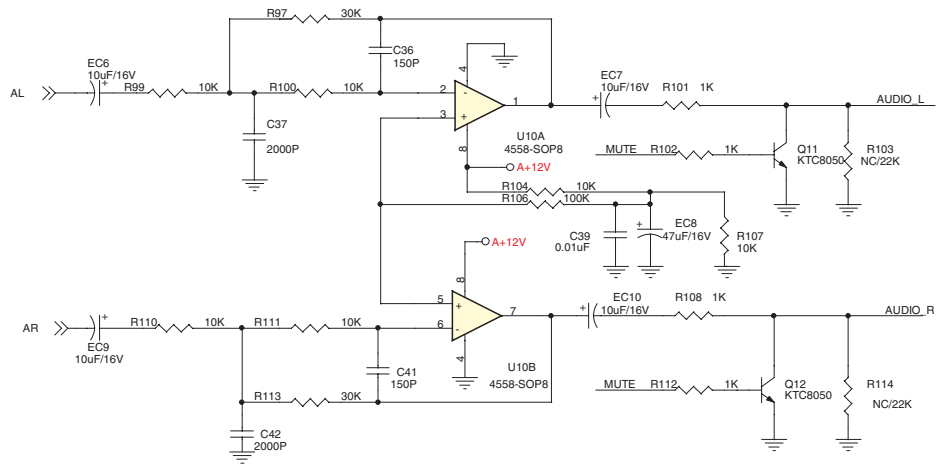


HEADER 24 SMD0.5 BOT

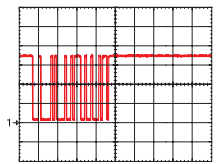
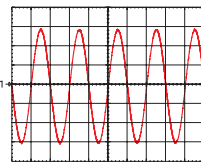
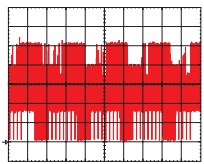
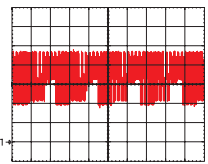
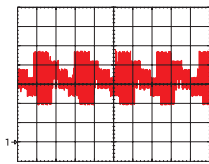


Chip Decap.

DVD – Audio/Video



VIDEO I/F



36

37

38

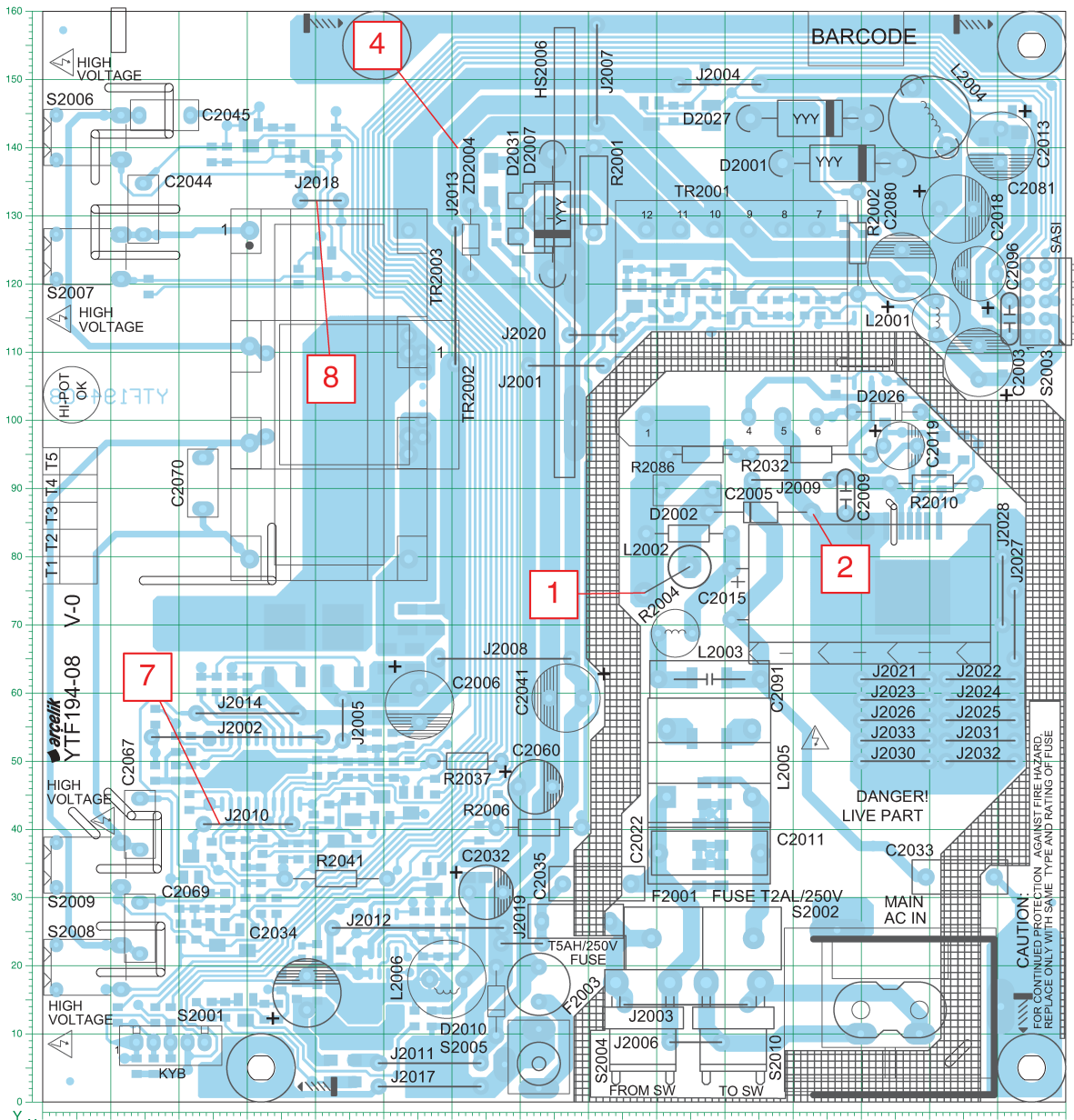
39

40

Netzteil - Inverter / Power Supply - Inverter YTF194

T: Bestückungsseite / Component Side
B: Lötseite / Solder Side

Ansicht von der Bestückungsseite / View of Component Side

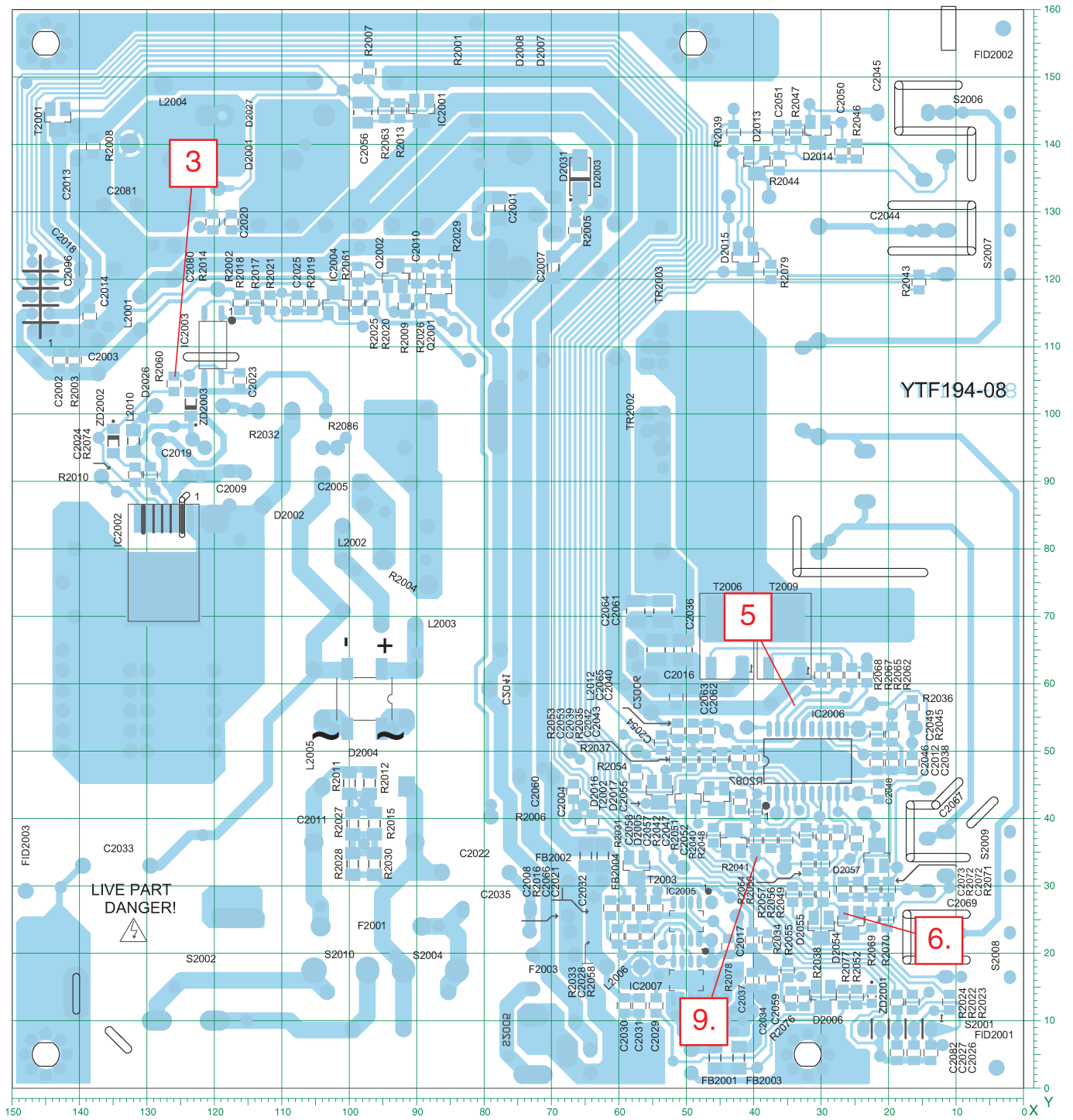


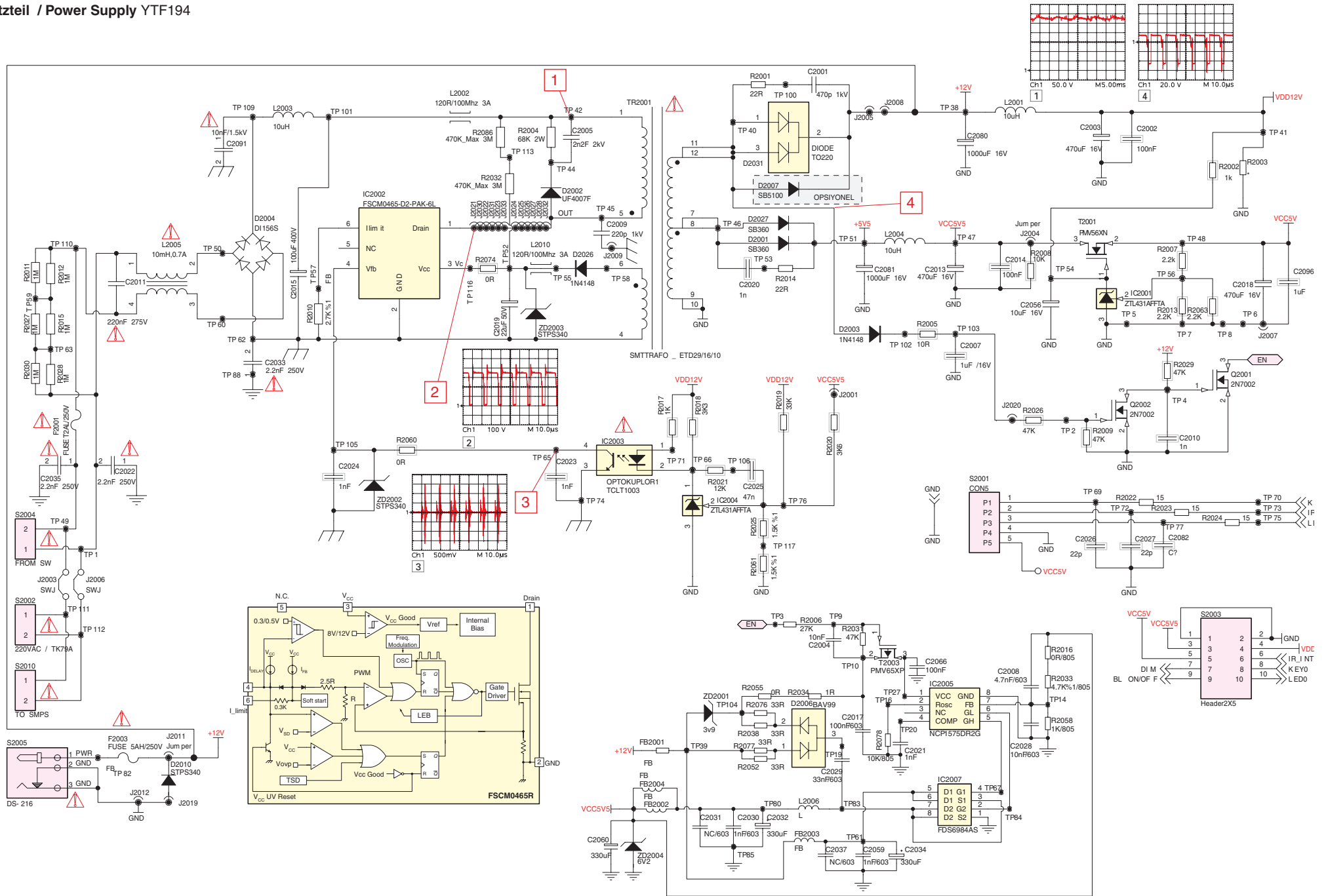
POS.	X	Y
TP114	B	33 41
TP115	B	54 108
TP116	B	129 89
TP117	B	97 120
TP12	B	17 51
TP13	B	9 145
TP14	B	60 20
TP15	B	54 92
TP16	B	46 25
TP17	B	66 49
TP18	B	17 127
TP19	B	52 4
TP2	B	93 115
TP20	B	54 29
TP21	B	45 121
TP22	B	44 129
TP23	B	27 143
TP24	B	24 50
TP25	B	35 34
TP26	B	52 34
TP27	B	57 29
TP28	B	24 44
TP29	B	24 53
TP3	B	79 42
TP30	B	32 146
TP31	B	43 139
TP32	B	26 34
TP33	B	40 44
TP34	B	56 42
TP35	B	59 52
TP36	B	48 39
TP37	B	53 47
TP38	B	99 125
TP39	B	40 3
TP4	B	88 122
TP40	B	81 137
TP41	B	146 108
TP42	B	89 78
TP43	B	56 50
TP44	B	95 86
TP45	B	116 81
TP46	B	107 140
TP47	B	71 48
TP48	B	140 120
TP49	B	87 24
TP5	B	129 125
TP50	B	94 53
TP51	B	124 131
TP52	B	126 98
TP53	B	122 128
TP54	B	101 148
TP55	B	131 100
TP56	B	99 150
TP57	B	135 89
TP58	B	116 101
TP59	B	98 42
TP6	B	46 22
TP60	B	102 53
TP61	B	51 11
TP62	B	122 38
TP63	B	98 36
TP64	B	30 40
TP65	B	124 106
TP66	B	98 113
TP67	B	54 19
TP68	B	28 41
TP69	B	12 6
TP7	B	21 5
TP70	B	148 149
TP71	B	114 114
TP72	B	13 12
TP73	B	149 118
TP74	B	122 91
TP75	B	147 125
TP76	B	110 115
TP77	B	14 14
TP78	B	9 23
TP79	B	29 81
TP8	B	74 106
TP80	B	64 28
TP81	B	39 32
TP82	B	76 5
TP83	B	45 16
TP84	B	54 21
TP85	B	136 113
TP86	B	41 127
TP87	B	57 63
TP88	B	143 30
TP89	B	32 59
TP9	B	65 42
TP90	B	53 100
TP91	B	28 64
TP92	B	27 58
TP93	B	11 30
TP94	B	59 60
TP95	B	9 17
TP96	B	19 33
TP97	B	17 30
TP98	B	43 145
TP99	B	40 34
TR2001	T	101 114
TR2002	T	44 104
TR2003	T	42 104
ZD2001	B	23 14
ZD2002	B	135 96
ZD2003	B	124 102
ZD2004	T	63 127

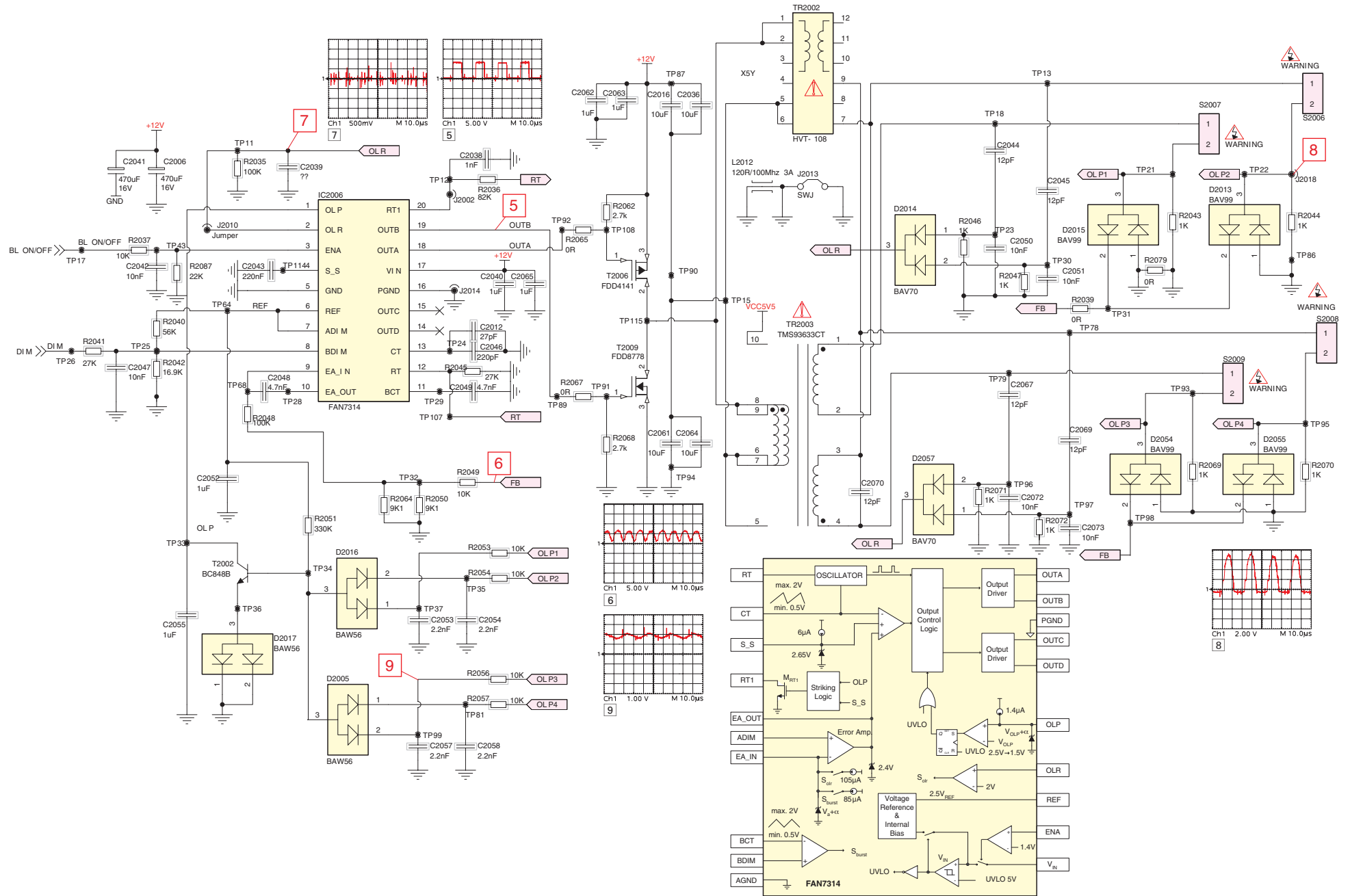
POS.	X	Y	POS.	X	Y	POS.	X	Y	POS.	X	Y	POS.	X	Y	POS.	X	Y			
C2001	B	78 131	C2038	B	17 48	C2091	T	98 62	J2003	T	94 14	Q2001	B	87 118	R2036	B	17 57	R2077	B	27 14
C2002	B	143 108	C2039	B	47 49	C2096	T	142 115	J2004	T	99 149	Q2002	B	93 121	R2037	T	62 50	R2078	B	44 21
C2003	T	137 109	C2040	B	47 53	D2001	T	117 138	J2005	T	44 56	R2001	T	81 134	R2038	B	33 13	R2079	B	38 121
C2004	B	67 44	C2041	T	77 59	D2002	T	105 87	J2006	T	96 9	R2002	T	120 126	R2039	B	43 142	R2086	T	97 95
C2005	T	95 90	C2042	B	43 49	D2003	B	66 135	J2007	T	81 151	R2003	B	141 108	R2040	B	28 37	R2087	B	42 43
C2006	T	55 58	C2043	B	40 49	D2004	B	98 58	J2008	T	68 65	R2004	T	92 77	R2041	T	43 33	S2001	T	19 9
C2007	B	70 122	C2044	T	15 131	D2005	B	43 37	J2009	T	110 91	R2005	B	67 127	R2042	B	38 37	S2002	T	124 10
C2008	B	61 27	C2045	T	18 145	D2006	B	30 14	J2010	T	30 41	R2006	T	73 40	R2043	B	16 120	S2003	T	146 117
C2009	T	118 89	C2046	B	22 48	D2007	T	75 130	J2011	T	57 6	R2007	B	97 151	R2044	B	36 137	S2004	T	88 18
C2010	B	90 121	C2047	B	35 37	D2010	T	67 15	J2012	T	55 26	R2008	B	138 140	R2045	B	20 53	S2005	T	70 6
C2011	T	98 37	C2048	B	22 44	D2013	B	40 137	J2013	T	61 118	R2009	B	92 116	R2046	B	25 139	S2006	T	7 142
C2012	B	20 48	C2049	B	22 53	D2014	B	31 142	J2014	T	30 57	R2010	T	131 91	R2047	B	34 142	S2007	T	7 124
C2013	T	141 140	C2050	B	27 139	D2015	B	41 123	J2017	T	57 2	R2011	B	100 45	R2048	B	25 37	S2008	T	7 20
C2014	B	139 115	C2051	B	36 142	D2016	B	54 44	J2018	T	41 132	R2012	B	97 45	R2049	B	30 29	S2009	T	7 35
C2015	T	101 75	C2052	B	30 37	D2017	B	46 43	J2019	T	70 23	R2013	B	93 145	R2050	B	30 33	S2010	T	101 18
C2016	B	55 65	C2053	B	49 49	D2026	T	124 101	J2020	T	81 113	R2014	B	120 129	R2051	B	32 38	T2001	B	143 144
C2017	B	40 22	C2054	B	54 51	D2027	T	113 144	J2021	T	125 62	R2015	B	96 39	R2052	B	25 14	T2002	B	50 43
C2018	T	137 122	C2055	B	40 41	D2031	T	71 130	J2022	T	138 62	R2016	B	59 27	R2053	B	52 49	T2003	B	57 33
C2019	T	126 96	C2056	B	98 145	D2054	B	26 25	J2023	T	125 59	R2017	B	114 117	R2054	B	58 46	T2006	B	44 66
C2020	B	118 129	C2057	B	40 37	D2055	B	30 24	J2024	T	138 59	R2018	B	116 117	R2055	B	35 18	T2009	B	36 66
C2021	B	55 27	C2058	B	46 38	D2057	B	22 35	J2025	T	138 56	R2019	B	108 117	R2056	B	32 29	TP1	B	93 20
C2022	T	81 32	C2059	B	37 16	F2001	T	97 24	J2026	T	125 56	R2020	B	97 117	R2057	B	34 29	TP10	B	44 28
C2023	B	116 105	C2060	T	72 46	F2003	T	73 17	J2027	T	143 70	R2021	B	112 117	R2058	B	56 23	TP100	B	80 131
C2024	B	132 91	C2061	B	54 71	FB2001	B	46 5	J2028	T	141 75	R2022	B	17 13	R2060	B	126 105	TP101	B	99 77
C2025	B	108 117	C2062	B	49 58	FB2002	B	65 35	J2030	T	125 50	R2023	B	11 13	R2061	B	99 121	TP102	B	66 130
C2026	B	14 5	C2063	B	52 58	FB2003	B	42 5	J2031	T	138 53	R2024	B	19 13	R2062	B	23 61	TP103	B	86 114
C2027	B	16 5	C2064	B	58 71	FB2004	B	62 35	J2032	T	138 50	R2025	B	99 117	R2063	B	95 145	TP104	B	33 17
C2028	B	58 23	C2065	B	49 53	IC2001	B	89 145	J2033	T	125 53	R2026	B	90 116	R2064	B	32 33	TP105	B	137 96
C2029	B	55 12	C2066	B	57 27	IC2002	B	128 79	L2001	T	131 115	R2027	B	100 39	R2065	B	26 61	TP106	B	110 118
C2030	B	59 12	C2067	T	14 41	IC2003	B	120 110	L2002	T	95 83	R2028	B	100 33	R2067	B	28 61	TP107	B	20 56
C2031	B	57 12	C2069	T	14 26	IC2004	B	102 117	L2003	T	93 69	R2029	B	86 123	R2068	B	30 61	TP108	B	23 64
C2032	T	65 31	C2070	T	24 91	IC2005	B	50 25	L2004	T	130 145	R2030	B	96 33	R2069	B	23 25	TP109	B	90 65
C2033	T	134 33	C2072	B	22 30	IC2006	B	30 49	L2005	T	98 50	R2031	B	64 40	R2070	B	20 25	TP11	B	22 39
C2034	T	39 16	C2073	B	27 30	IC2007	B	50 16	L2006	T	59 18	R2032	T	113 95	R2071	B	20 30	TP110	B	104 27
C2035	T	78 26	C2080	T	126 123	J2001	T	77 108	L2010	B	132 96	R2033	B	60 23	R2072	B	25 30	TP111	B	126 15
C2036	B	51 65	C2081	T	134 131	J2002	T	29 54	L2012	B	51 53	R2034	B	38 22	R2074	B	130 91	TP112	B	115 10
C2037	B	40 16	C2082	B	19 5						R2035	B	45 49	R2076	B	35 13	TP113	B	101 97	

Netzteil - Inverter / Power Supply - Inverter YTF194

Ansicht von der Lötseite / View of Solder Side

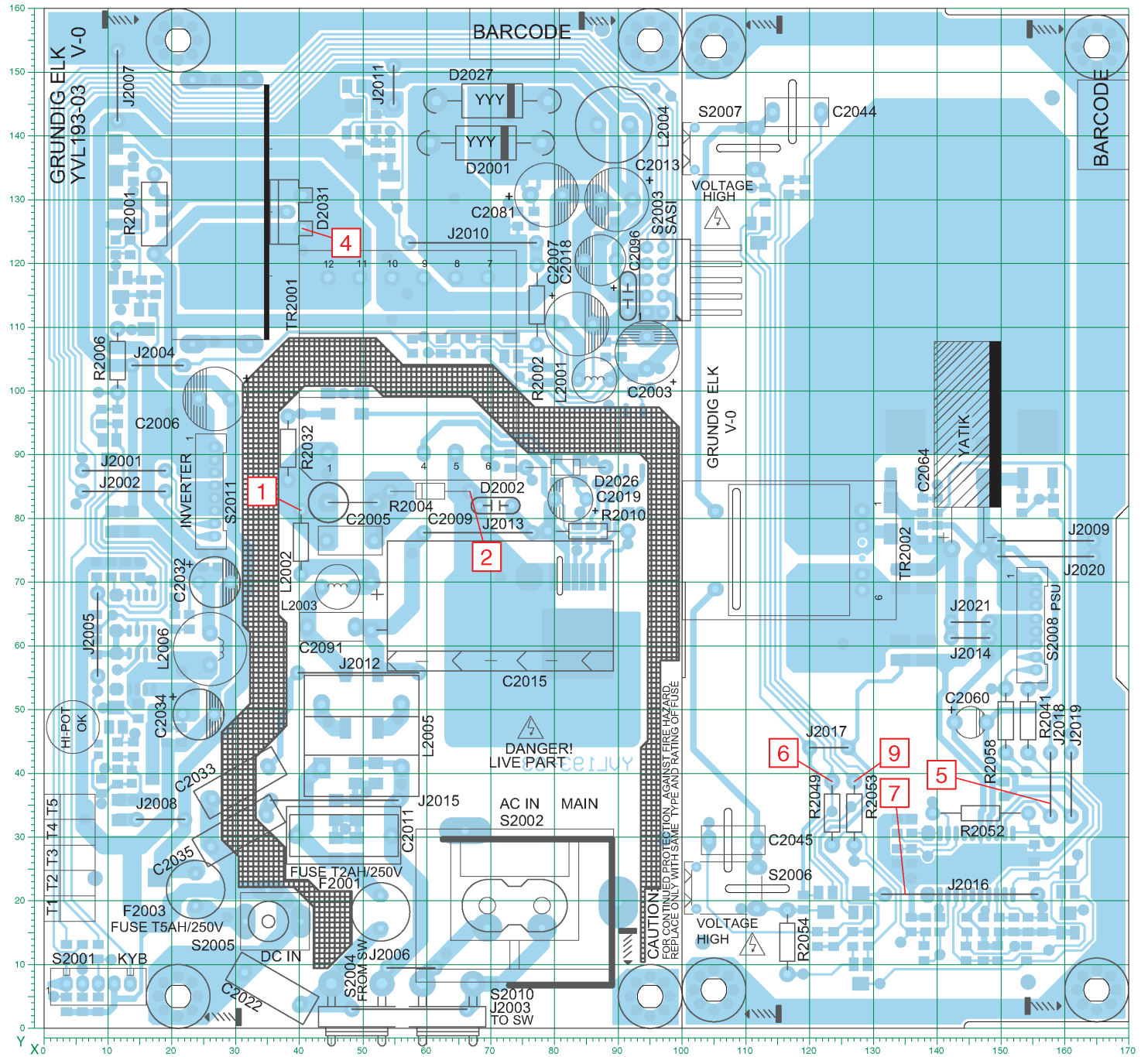






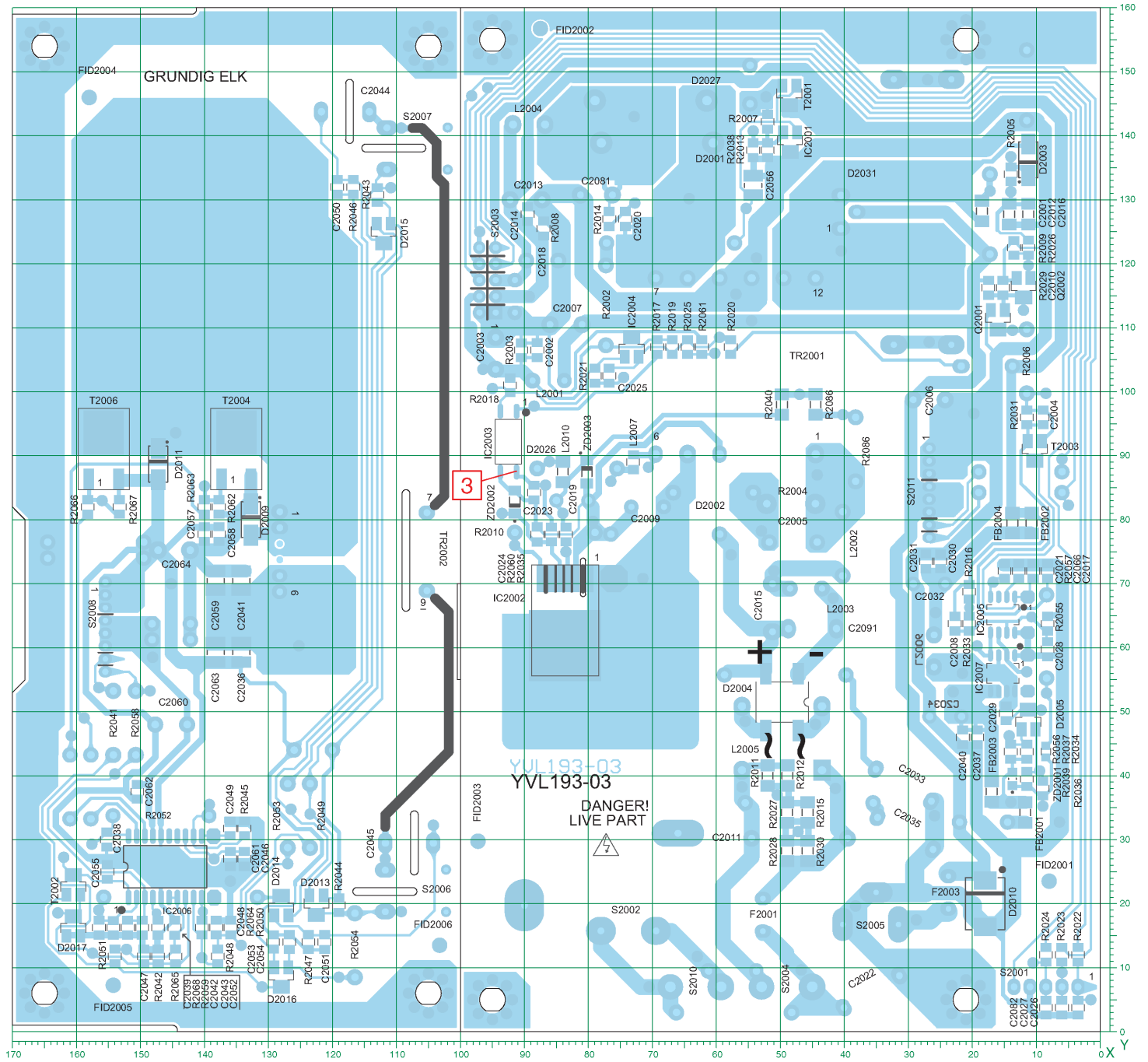
Netzteil - Inverter Power Supply - Inverter YVL193

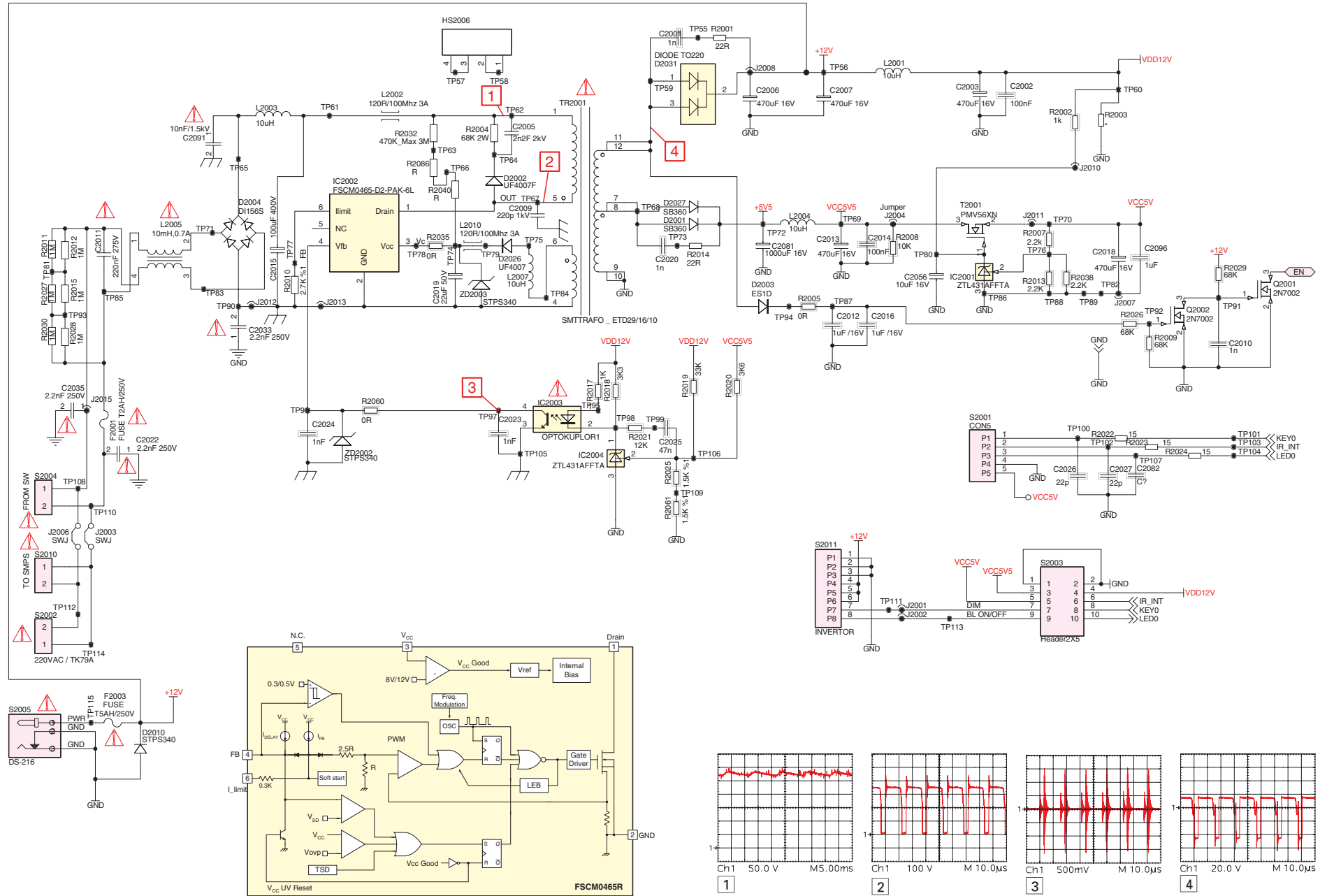
Ansicht von der Bestückungsseite /
View of Component Side

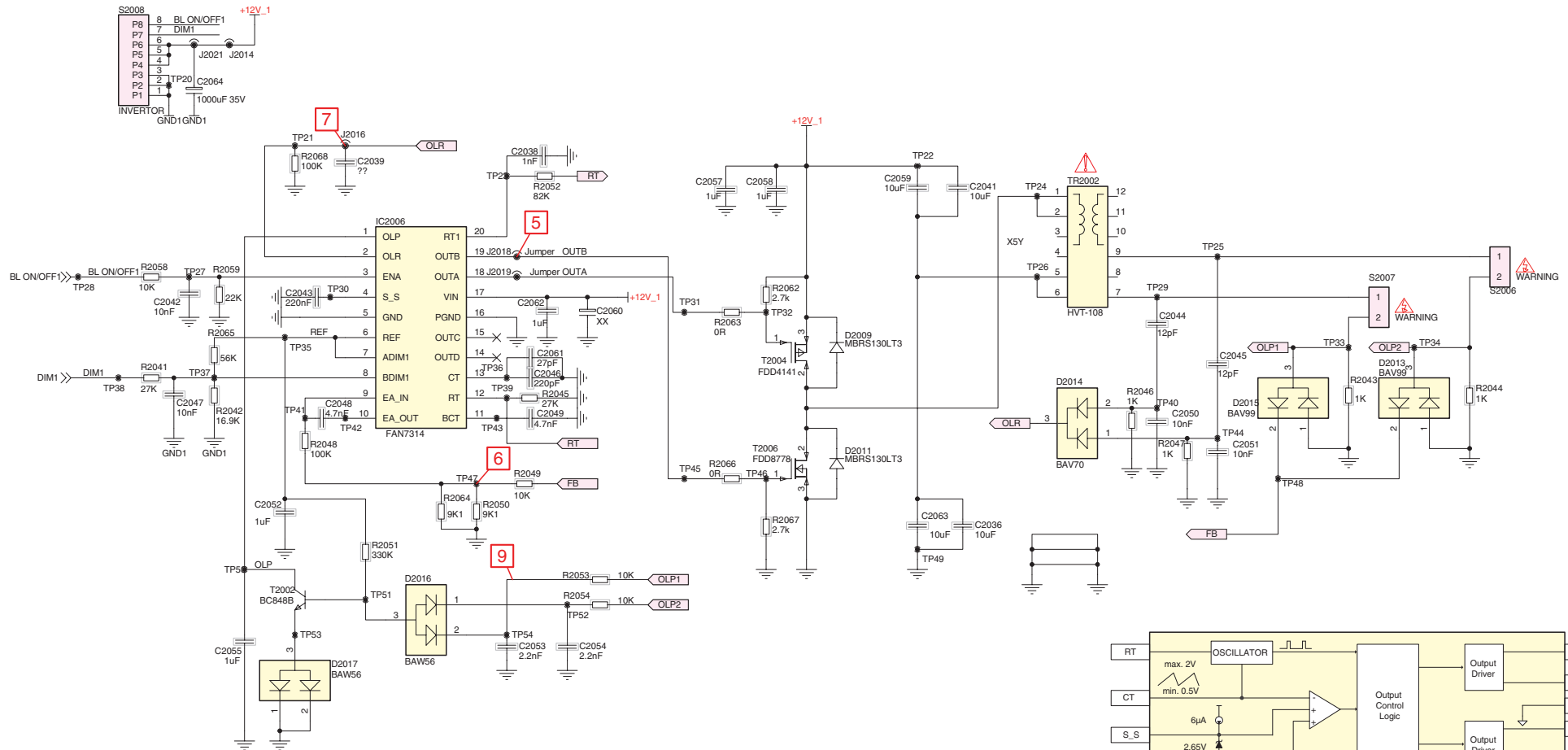


Netzteil - Inverter / Power Supply - Inverter YVL193

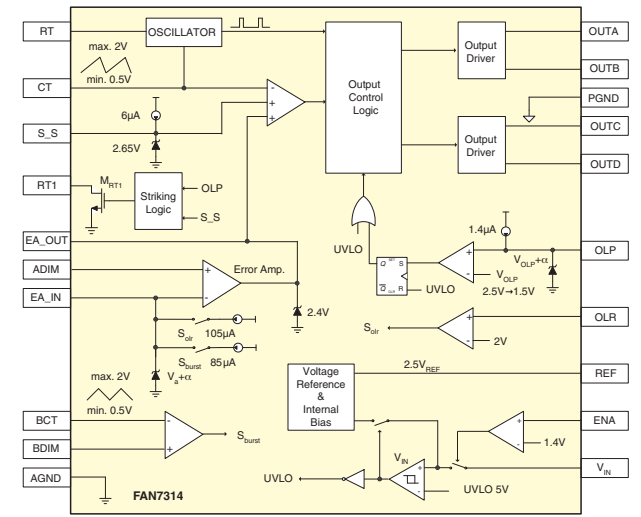
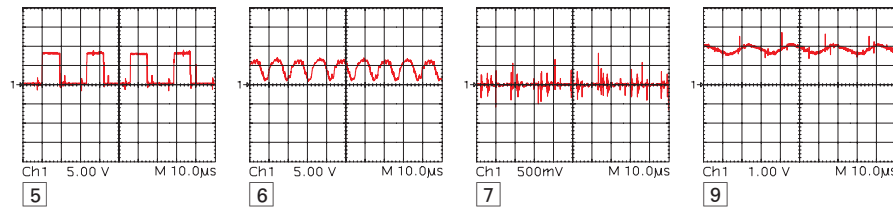
Ansicht von der Lötseite / View of Solder Side





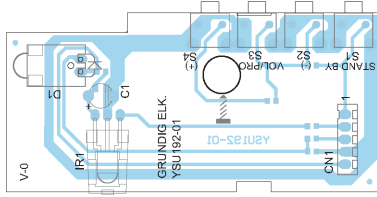


2 - 27

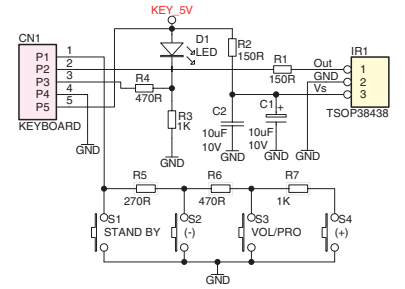
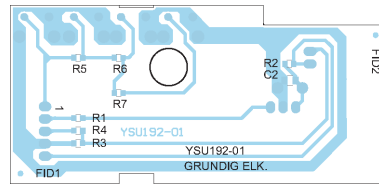


Keyboard YSU192

Ansicht von der Bestückungsseite
View of Component Side

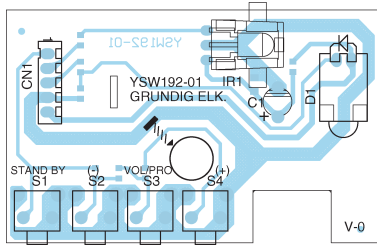


Ansicht von der Lötseite
View of Solder Side

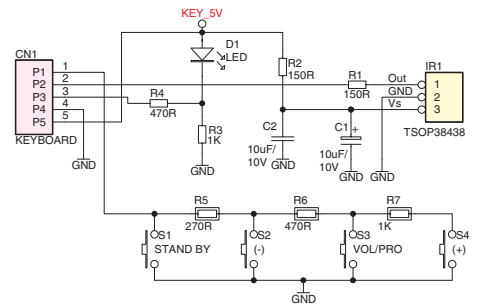
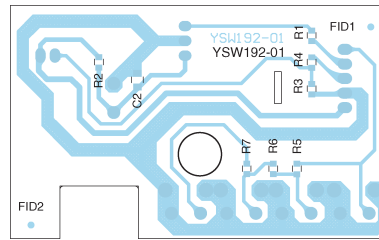


Keyboard YSW192

Ansicht von der Bestückungsseite
View of Component Side



Ansicht von der Lötseite
View of Solder Side



Ersatzteilliste
Spare Parts List

NUR FÜR INTERNEN GEBRAUCH
FOR INTERNAL USE ONLY

TV

7 / 2010

22 VLC 2004 DVD

BESTELL-NR. / ORDER NO.: GBJ0822 (JJC)

POS. NR. POS. NO.	ABB. FIG.	MATERIAL-NR. PART NUMBER	ANZ. QTY.	BEZEICHNUNG (D)	DESCRIPTION (GB)
		GBJ0822		22 VLC 2004 DVD PRODUKTCODE JJC KEIN E-TEIL	22 VLC 2004 DVD PRODUCT CODE JJC NO SPARE PART
				Hinweis: Sollte in dieser Ersatzteilliste Ihr "Product Code" oder Ihre Display-Variante nicht aufgeführt sein, finden Sie eine aktualisierte Version auf dem GRUNDIG Service-Portal "http://service.grundig.de" .	Note: If your "Product Code" or display variant is not mentioned in the spare parts list, please look for a current version at the GRUNDIG service portal "http://service.grundig.de" .
0001.000		759551494600		GEH.-VORDERTEIL SCHWARZ	FRONT CABINET BLACK
0002.000		759551577800		RUECKWAND SCHWARZ	BACK COVER BLACK
0003.000		759551577900		DVD ABDECKUNG	DVD COVER
0005.000		759551493800		FUSS SCHWARZ	FOOT BLACK
0006.000		759551572100		STAND FUSS ZWISCHENSTUECK	STAND FOOT MIDDLEPART
0007.000		759551493600		KNOPF PROG./ON-OFF SCHWARZ	KNOPF PROG./ON-OFF BLACK
0015.000		759551494700		LAUTSPRECHER 16 OHM 5/7 W 33X14	LOUDSPEAKER 16 OHM 5/7 W 33X14
0019.000		759551546700		LVDS-KABEL 30P 1MM L=120MM	LVDS-CABLE 30P 1MM L=120MM
0020.000	△	759551571900		LCD-DISPLAY LTA216AT01-S07*1	LCD-DISPLAY LTA216AT01-S07*1
0020.000	△	759551494900		LCD-DISPLAY LC220WXE-TBA1*2	LCD-DISPLAY LC220WXE-TBA1*2
0022.000	△	759551350200		NETZKABEL 150 CM	POWER CABLE 150 CM
0023.000	△	275990311800	X	LP-NETZTEILMODUL 21.6 T5/T6*1	POWER BOARD 21.6 T5/T6*1
0023.000	△	275990311200	X	LP-NETZTEILMODUL 21.6 T5/T6*2	POWER BOARD 21.6 T5/T6*2
0024.000	△	759551574200		NETZSCHALTER OHNE HALTER	POWER SWITCH WITHOUT HOLDER
0025.000	△	275991131000	X	LP-CHASSISMODUL DB (JJC)*1	CHASSISBOARD DB (JJC)*1
0025.000	△	275991117600	X	LP-CHASSISMODUL DB (BES)*2	CHASSISBOARD DB (BES)*2
0027.000		720117225800		FERNBEDIENUNG DVD-COMBO	REMOTE CONTROL DVD-COMBO
0030.000		759550451400		TASTSCHALTER	KEY SWITCH
0031.000		275990230000		LP-TT/IR/LED MODUL T6	TT/IR/LED BOARD T6
0032.000		759551504200		IR-EMPFÄNGER TSOP38438	IR RECEIVER TSOP38438
0033.000		759551541500		LED BLAU 5MM 3,5 V	LED BLUE 5MM 3,5 V
0040.000		759551494400		DVD-LOADER DL-08HJ-00-020E+SW	DVD-LOADER DL-08HJ-00-020E+SW
0041.000		759551578000		DVD HALTER	DVD HOLDER
0090.000		759551495200		KARTON	CARTON
0091.000		759551495300		POLSTER OBEN	CUSHION TOP
0092.000		759551495400		POLSTER BODEN	CUSHION BOTTOM
				DIE BEDIENUNGSANLEITUNG KOENNEN SIE IM INTERNET UNTER FOLGENDER ADRESSE ABRUFEN: WWW.GRUNDIG.DE MENU: DOWNLOADS	THE INSTRUCTION MANUAL CAN BE DOWNLOADED FROM THE INTERNET UNDER THE FOLLOWING ADDRESS: WWW.GRUNDIG.DE MENU: DOWNLOADS
		720100553000		SERVICE MANUAL D/GB	SERVICE MANUAL D/GB
		720108000001		SICHERHEITSMANUAL D/GB/E/F/I	SAFETY SERVICE MANUAL D/GB/E/F/I
				X = SIEHE GESONDERTE E-LISTE	X = SEE SEPARATE PARTS LIST

3-1

Es gelten die Vorschriften und Sicherheitshinweise gemäß dem Service Manual "Sicherheit", Mat.-Nummer 720108000001, sowie zusätzlich die eventuell abweichenden, landesspezifischen Vorschriften!



The regulations and safety instructions shall be valid as provided by the "Safety" Service Manual, part number 720108000001, as well as the respective national deviations.

ÄNDERUNGEN VORBEHALTEN / SUBJECT TO ALTERATION

Ersatzteilliste
Spare Parts List

NUR FÜR INTERNEN GEBRAUCH
FOR INTERNAL USE ONLY

TV

3 / 2011

22 VLC 2004 DVD

BESTELL-NR. / ORDER NO.: GBJ0322 (JUV)

POS. NR. POS. NO.	ABB. FIG.	MATERIAL-NR. PART NUMBER	ANZ. QTY.	BEZEICHNUNG (D)	DESCRIPTION (GB)
		GBJ0322		22 VLC 2004 DVD PRODUKTCODE JUV KEIN E-TEIL	22 VLC 2004 DVD PRODUCT CODE JUV NO SPARE PART
				Hinweis: Sollte in dieser Ersatzteilliste Ihr "Product Code" oder Ihre Display-Variante nicht aufgeführt sein, finden Sie eine aktualisierte Version auf dem GRUNDIG Service-Portal "http://service.grundig.de" .	Note: If your "Product Code" or display variant is not mentioned in the spare parts list, please look for a current version at the GRUNDIG service portal "http://service.grundig.de" .
0001.000		759551494600		GEH.-VORDERTEIL SCHWARZ	FRONT CABINET BLACK
0002.000		759551577800		RUECKWAND SCHWARZ	BACK COVER BLACK
0003.000		759551578000		DVD HALTER	DVD HOLDER
0005.000		759551493800		FUSS SCHWARZ	FOOT BLACK
0006.000		759551572100		STAND FUSS ZWISCHENSTUECK	STAND FOOT MIDDLEPART
0007.000		759551493600		KNOPF PROG./ON-OFF SCHWARZ	KNOPF PROG./ON-OFF BLACK
0015.000		759551494700		LAUTSPRECHER 16 OHM 5/7 W	LOUDSPEAKER 16 OHM 5/7 W
0019.000		759551546700		LVDS-KABEL 30P 1MM L=120MM	LVDS-CABLE 30P 1MM L=120MM
0020.000	△	759551494900		LCD-DISPLAY LC220WXE-TBA1*1	LCD-DISPLAY LC220WXE-TBA1*1
0020.000	△	759551571900		LCD-DISPLAY LTA216AT01-S07*2	LCD-DISPLAY LTA216AT01-S07*2
0020.000	△	759551538700		LCD-DISPLAY LC220WXE-TBA1*3	LCD-DISPLAY LC220WXE-TBA1*3
0022.000	△	759551350200		NETZKABEL 150 CM	POWER CABLE 150 CM
0023.000	△	275990312000	X	LP-NETZTEILMODUL 21.6 T5/T6 *1*/3	POWER BOARD 21.6 T5/T6 *1*/3
0023.000	△	275990311800	X	LP-NETZTEILMODUL 21.6 T5/T6*2	POWER BOARD 21.6 T5/T6 *2
0024.000	△	759551574200		NETZSCHALTER OHNE HALTER	POWER SWITCH WITHOUT HOLDER
0025.000	△	275991117600	X	LP-CHASSISMODUL DB (BES)*1	CHASSISBOARD DB (BES)*1
0025.000	△	275991131000	X	LP-CHASSISMODUL DB (JJC)*2	CHASSISBOARD DB (JJC)*2
0025.000	△	275991143100	X	LP-CHASSISMODUL DB (B9F)*3	CHASSISBOARD DB (B9F)*3
0027.000		720117225800		FERNBEDIENUNG DVD-COMBO	REMOTE CONTROL DVD-COMBO
0030.000		759550451400		TASTSCHALTER	KEY SWITCH
0031.000		275990230000		LP-TT/IR/LED MODUL T6	TT/IR/LED BOARD T6
0032.000		759551504200		IR-EMPFÄNGER TSOP38438	IR RECEIVER TSOP38438
0033.000		759551541500		LED BLAU 5MM 3,5 V	LED BLUE 5MM 3,5 V
0040.000	△	759551589600		DVD-LOADER DL-08HA-00-056 GP+SW	DVD-LOADER DL-08HA-00-056 GP+SW
0041.000		759551578000		DVD HALTER	DVD HOLDER
0090.000		759551495200		KARTON	CARTON
0091.000		759551495300		POLSTER OBEN	CUSHION TOP
0092.000		759551495400		POLSTER BODEN	CUSHION BOTTOM
				DIE BEDIENUNGSANLEITUNG KOENNEN SIE IM INTERNET UNTER FOLGENDER ADRESSE ABRUFEN: WWW.GRUNDIG.DE MENU: DOWNLOADS	THE INSTRUCTION MANUAL CAN BE DOWNLOADED FROM THE INTERNET UNDER THE FOLLOWING ADDRESS: WWW.GRUNDIG.DE MENU: DOWNLOADS
		720100553000		SERVICE MANUAL D/GB	SERVICE MANUAL D/GB
		720108000001		SICHERHEITSMANUAL D/GB/E/F/I	SAFETY SERVICE MANUAL D/GB/E/F/I
				X = SIEHE GESONDERTE E-LISTE	X = SEE SEPARATE PARTS LIST

Es gelten die Vorschriften und Sicherheitshinweise gemäß dem Service Manual "Sicherheit", Mat.-Nummer 720108000001, sowie zusätzlich die eventuell abweichenden, landesspezifischen Vorschriften!



The regulations and safety instructions shall be valid as provided by the "Safety" Service Manual, part number 720108000001, as well as the respective national deviations.

ÄNDERUNGEN VORBEHALTEN / SUBJECT TO ALTERATION

Ersatzteilliste
Spare Parts List

NUR FÜR INTERNEN GEBRAUCH
FOR INTERNAL USE ONLY

TV

1 / 2010

VISION 2 19-2940 T DVD

BESTELL-NR. / ORDER NO.: GBH4020 (GKQ)

POS. NR. POS. NO.	ABB. FIG.	MATERIAL-NR. PART NUMBER	ANZ. QTY.	BEZEICHNUNG (D)	DESCRIPTION (GB)
		GBH4020		VISION 2 19-2940 T DVD PRODUKTCODE GKQ KEIN E-TEIL	VISION 2 19-2940 T DVD PRODUCT CODE GKQ NO SPARE PART
				Hinweis: Sollte in dieser Ersatzteilliste Ihr "Product Code" oder Ihre Display-Variante nicht aufgeführt sein, finden Sie eine aktualisierte Version auf dem GRUNDIG Service-Portal " http://service.grundig.de ".	Note: If your "Product Code" or display variant is not mentioned in the spare parts list, please look for a current version at the GRUNDIG service portal " http://service.grundig.de ".
0001.000		759551494000		GEH.-VORDERTEIL SCHWARZ	FRONT CABINET BLACK
0002.000		759551524800		RUECKWAND SCHWARZ	BACK COVER BLACK
0005.000		759551521500		FUSS SCHWARZ	FOOT BLACK
0006.000		759551496300		ZWISCHENSTUECK FUSS SCHWARZ	MIDDLE PART STAND FOOT BLACK
0007.000		759551493600		KNOPF PROG./ON-OFF SCHWARZ	KNOB PROG./ON-OFF BLACK
0015.000	△	759551493300		LAUTSPRECHER 16 OHM 3/5 W	LOUDSPEAKER 16 OHM 3/5 W
0020.000		759551505900		LCD-DISPLAY SS LTM185AT01-R04	LCD-DISPLAY SS LTM185AT01-R04
0021.000		759551494800		DISPLAY KABEL LVDS 30P 120MM	DISPLAY KABEL LVDS 30P 120MM
0022.000	△	759551350200		NETZKABEL 150 CM	POWER CABLE 150 CM
0023.000	△	275990309500	X	LP-NETZTEILMODUL 18.5 D6 CHA.	POWER BOARD 18.5 D6 CHA.(PSU+
0025.000	△	275991089000	X	LP-CHASSISMODUL DB (HHC)	CHASSIS BOARD DB (HHC)
0027.000		720117145500		FERNBEDIENUNG DVD-COMBO	REMOTE CONTROL DVD-COMBO
0030.000		759550451400		TASTSCHALTER	KEY SWITCH
0032.000		759551504200		IR-EMPFÄNGER TSOP38438	IR RECEIVER TSOP38438
0040.000	△	759551494400		DVD-LOADER DL-08HJ-00-020E+SW	DVD-LOADER DL-08HJ-00-020E+SW
0090.000		759551524900		KARTON DVD-COMBO 19"	CARTON DVD-COMBO 19"
0091.000		759551525000		POLSTER OBEN	CUSHION TOP
0092.000		759551525100		POLSTER UNTEN	CUSHION BOTTOM
				DIE BEDIENUNGSANLEITUNG KOENNEN SIE IM INTERNET UNTER FOLGENDER ADRESSE ABRUFEN: WWW.GRUNDIG.DE MENU: DOWNLOADS	THE INSTRUCTION MANUAL CAN BE DOWNLOADED FROM THE INTERNET UNDER THE FOLLOWING ADDRESS: WWW.GRUNDIG.DE MENU: DOWNLOADS
		720100553000		SERVICE MANUAL D/GB	SERVICE MANUAL D/GB
		720108000001		SICHERHEITSMANUAL D/GB/E/F/I	SAFETY SERVICE MANUAL D/GB/E/F/I
				X = SIEHE GESONDERTE E-LISTE	X = SEE SEPARATE PARTS LIST

Es gelten die Vorschriften und Sicherheitshinweise gemäß dem Service Manual "Sicherheit", Mat.-Nummer 720108000001, sowie zusätzlich die eventuell abweichenden, landesspezifischen Vorschriften!



The regulations and safety instructions shall be valid as provided by the "Safety" Service Manual, part number 720108000001, as well as the respective national deviations.

ÄNDERUNGEN VORBEHALTEN / SUBJECT TO ALTERATION

Ersatzteilliste
Spare Parts List

NUR FÜR INTERNEN GEBRAUCH
FOR INTERNAL USE ONLY

TV

1 / 2010

VISION 2 19-2940 T DVD

BESTELL-NR. / ORDER NO.: GBH4024 (HHC,HJF)

POS. NR. POS. NO.	ABB. FIG.	MATERIAL-NR. PART NUMBER	ANZ. QTY.	BEZEICHNUNG (D)	DESCRIPTION (GB)
		GBH4024		VISION 2 19-2940 T DVD PRODUKTCODE HHC KEIN E-TEIL	VISION 2 19-2940 T DVD PRODUCT CODE HHC NO SPARE PART
				Hinweis: Sollte in dieser Ersatzteilliste Ihr "Product Code" oder Ihre Display-Variante nicht aufgeführt sein, finden Sie eine aktualisierte Version auf dem GRUNDIG Service-Portal " http://service.grundig.de ".	Note: If your "Product Code" or display variant is not mentioned in the spare parts list, please look for a current version at the GRUNDIG service portal " http://service.grundig.de ".
0001.000		759551494000		GEH.-VORDERTEIL SCHWARZ	FRONT CABINET BLACK
0002.000		759551524800		RUECKWAND SCHWARZ	BACK COVER BLACK
0005.000		759551521500		FUSS SCHWARZ	FOOT BLACK
0006.000		759551496300		ZWISCHENSTUECK FUSS SCHWARZ	MIDDLE PART STAND FOOT BLACK
0007.000		759551493600		KNOPF PROG./ON-OFF SCHWARZ	KNOB PROG./ON-OFF BLACK
0015.000		759551493300		LAUTSPRECHER 16 OHM 3/5 W	LOUDSPEAKER 16 OHM 3/5 W
0020.000	△	759551505900		LCD-DISPLAY LTM185AT01-R04	LCD-DISPLAY LTM185AT01-R04
0021.000		759551494800		DISPLAY KABEL LVDS 30P 120MM	DISPLAY KABEL LVDS 30P 120MM
0022.000	△	759551350200		NETZKABEL 150 CM	POWER CABLE 150 CM
0023.000	△	275990309500	X	LP-NETZTEILMODUL 18.5 D6 CHA.	POWER BOARD 18.5 D6 CHA.(PSU+
0025.000	△	275991089000	X	LP-CHASSISMODUL DB (HHC)	CHASSIS BOARD DB (HHC)
0027.000		720117145500		FERNBEDIENUNG DVD-COMBO	REMOTE CONTROL DVD-COMBO
0030.000		759550451400		TASTSCHALTER	KEY SWITCH
0032.000		759551504200		IR-EMPFÄNGER TSOP38438	IR RECEIVER TSOP38438
0040.000	△	759551478900		DVD-LAUFWERK DL-08HJ-00-020E+SW	DVD-LOADER DL-08HJ-00-020E+SW
0090.000		759551524900		KARTON DVD-COMBO 19"	CARTON DVD-COMBO 19"
0091.000		759551525000		POLSTER OBEN	CUSHION TOP
0092.000		759551525100		POLSTER UNTEN	CUSHION BOTTOM
				DIE BEDIENUNGSANLEITUNG KOENNEN SIE IM INTERNET UNTER FOLGENDER ADRESSE ABRUFEN: WWW.GRUNDIG.DE MENU: DOWNLOADS	THE INSTRUCTION MANUAL CAN BE DOWNLOADED FROM THE INTERNET UNDER THE FOLLOWING ADDRESS: WWW.GRUNDIG.DE MENU: DOWNLOADS
		720100553000		SERVICE MANUAL D/GB	SERVICE MANUAL D/GB
		720108000001		SICHERHEITSMANUAL D/GB/E/F/I	SAFETY SERVICE MANUAL D/GB/E/F/I
				X = SIEHE GESONDERTE E-LISTE	X = SEE SEPARATE PARTS LIST

GBH4024
VISION 2 19-2940 T DVD
PRODUKTCODE HJF
KEIN E-TEIL

VISION 2 19-2940 T DVD
PRODUCT CODE HJF
NO SPARE PART

0001.000		759551494000		GEH.-VORDERTEIL SCHWARZ	FRONT CABINET BLACK
0002.000		759551524800		RUECKWAND SCHWARZ	BACK COVER BLACK
0005.000		759551521500		FUSS SCHWARZ	FOOT BLACK
0006.000		759551496300		ZWISCHENSTUECK FUSS SCHWARZ	MIDDLE PART STAND FOOT BLACK
0007.000		759551493600		KNOPF PROG./ON-OFF SCHWARZ	KNOB PROG./ON-OFF BLACK
0015.000		759551493300		LAUTSPRECHER 16 OHM 3/5 W	LOUDSPEAKER 16 OHM 3/5 W
0020.000	△	759551505900		LCD-DISPLAY LTM185AT01-R04	LCD-DISPLAY SS LTM185AT01-R04
0021.000		759551494800		DISPLAY KABEL LVDS 30P 120MM	DISPLAY KABEL LVDS 30P 120MM
0022.000	△	759551350200		NETZKABEL 150 CM	POWER CABLE 150 CM
0023.000	△	275990309500	X	LP-NETZTEILMODUL 18.5 D6 CHA.	POWER BOARD 18.5 D6 CHA.(PSU+
0025.000	△	275991089000	X	LP-CHASSISMODUL DB (HHC)	CHASSIS BOARD DB (HHC)

ÄNDERUNGEN VORBEHALTEN / SUBJECT TO ALTERATION

POS. NR. POS. NO.	ABB. FIG.	MATERIAL-NR. PART NUMBER	ANZ. QTY.	BEZEICHNUNG (D)	DESCRIPTION (GB)	
0027.000		720117145500		FERNBEDIENUNG DVD-COMBO	REMOTE CONTROL DVD-COMBO	
0030.000		759550451400		TASTSCHALTER	KEY SWITCH	
0032.000		759551504200		IR-EMPFAENGER TSOP38438	IR RECEIVER TSOP38438	
0040.000	△	759551494400		DVD-LOADER DL-08HJ-00-020E+SW	DVD-LOADER DL-08HJ-00-020E+SW	
0090.000		759551524900		KARTON DVD-COMBO 19"	CARTON DVD-COMBO 19"	
0091.000		759551525000		POLSTER OBEN	CUSHION TOP	
0092.000		759551525100		POLSTER UNTEN	CUSHION BOTTOM	
				DIE BEDIENUNGSANLEITUNG KOENNEN SIE IM INTERNET UNTER FOLGENDER ADRESSE ABRUFEN: WWW.GRUNDIG.DE MENU: DOWNLOADS	THE INSTRUCTION MANUAL CAN BE DOWNLOADED FROM THE INTERNET UNDER THE FOLLOWING ADDRESS: WWW.GRUNDIG.DE MENU: DOWNLOADS	
				720100553000 720108000001	SERVICE MANUAL D/GB SICHERHEITSMANUAL D/GB/E/F/I X = SIEHE GESONDERTE E-LISTE	SERVICE MANUAL D/GB SAFETY SERVICE MANUAL D/GB/E/F/I X = SEE SEPARATE PARTS LIST

Ersatzteilliste
Spare Parts List

NUR FÜR INTERNEN GEBRAUCH
FOR INTERNAL USE ONLY

TV

1 / 2010

VISION 2 22-2940 T DVD

BESTELL-NR. / ORDER NO.: GBH4023 (GKR)

POS. NR. POS. NO.	ABB. FIG.	MATERIAL-NR. PART NUMBER	ANZ. QTY.	BEZEICHNUNG (D)	DESCRIPTION (GB)	
				GBH4023	VISION 2 22-2940 T DVD PRODUKTCODE GKR KEIN E-TEIL	
				Hinweis: Sollte in dieser Ersatzteilliste Ihr "Product Code" oder Ihre Display-Variante nicht aufgeführt sein, finden Sie eine aktualisierte Version auf dem GRUNDIG Service-Portal " http://service.grundig.de ".	Note: If your "Product Code" or display variant is not mentioned in the spare parts list, please look for a current version at the GRUNDIG service portal " http://service.grundig.de ".	
0001.000		759551494600		GEH.-VORDERTEIL SCHWARZ	FRONT CABINET BLACK	
0002.000		759551518000		RUECKWAND SCHWARZ	BACK COVER BLACK	
0005.000		759551495100		FUSS SCHWARZ	FOOT BLACK	
0006.000		759551507600		FUSS ZWISCHENSTUECK SCHWARZ	FOOT MIDDLE PART BLACK	
0007.000		759551493600		KNOPF PROG./ON-OFF SCHWARZ	KNOB PROG./ON-OFF BLACK	
0015.000		759551494700		LAUTSPRECHER 16 OHM 5/7 W	LOUDSPEAKER 16 OHM 5/7 W	
0020.000	△	759551518200		LCD-DISPLAY SS LTA216AT01-S04	LCD-DISPLAY SS LTA216AT01-S04	
0021.000		759551520900		KABEL DISPLAY-LVDS 100MM	CABLE DISPLAY-LVDS 100MM	
0022.000	△	759551350200		NETZKABEL 150 CM	POWER CABLE 150 CM	
0023.000	△	275990308500	X	LP-NETZTEILMODUL 21.6 T5/T6/D6	POWER BOARD 21.6 T5/T6/D6	
0025.000	△	275991089100	X	LP-CHASSISMODUL DB (E3A)	CHASSIS BOARD DB (E3A)	
0027.000		720117145500		FERNBEDIENUNG DVD-COMBO	REMOTE CONTROL DVD-COMBO	
0030.000		759550451400		TASTSCHALTER	KEY SWITCH	
0032.000		759551504200		IR-EMPFAENGER TSOP38438	IR RECEIVER TSOP38438	
0040.000	△	759551494400		DVD-LOADER DL-08HJ-00-020E+SW	DVD-LOADER DL-08HJ-00-020E+SW	
0090.000		759551495200		KARTON	CARTON	
0091.000		759551495300		POLSTER OBEN	CUSHION TOP	
0092.000		759551495400		POLSTER BODEN	CUSHION BOTTOM	
				DIE BEDIENUNGSANLEITUNG KOENNEN SIE IM INTERNET UNTER FOLGENDER ADRESSE ABRUFEN: WWW.GRUNDIG.DE MENU: DOWNLOADS	THE INSTRUCTION MANUAL CAN BE DOWNLOADED FROM THE INTERNET UNDER THE FOLLOWING ADDRESS: WWW.GRUNDIG.DE MENU: DOWNLOADS	
				720100553000 720108000001	SERVICE MANUAL D/GB SICHERHEITSMANUAL D/GB/E/F/I X = SIEHE GESONDERTE E-LISTE	SERVICE MANUAL D/GB SAFETY SERVICE MANUAL D/GB/E/F/I X = SEE SEPARATE PARTS LIST

Es gelten die Vorschriften und Sicherheitshinweise gemäß dem Service Manual "Sicherheit", Mat.-Nummer 720108000001, sowie zusätzlich die eventuell abweichenden, landesspezifischen Vorschriften!



The regulations and safety instructions shall be valid as provided by the "Safety" Service Manual, part number 720108000001, as well as the respective national deviations.

ÄNDERUNGEN VORBEHALTEN / SUBJECT TO ALTERATION

Es gelten die Vorschriften und Sicherheitshinweise gemäß dem Service Manual "Sicherheit", Mat.-Nummer 720108000001, sowie zusätzlich die eventuell abweichenden, landesspezifischen Vorschriften!



The regulations and safety instructions shall be valid as provided by the "Safety" Service Manual, part number 720108000001, as well as the respective national deviations.

ÄNDERUNGEN VORBEHALTEN / SUBJECT TO ALTERATION

Ersatzteilliste
Spare Parts List

NUR FÜR INTERNEN GEBRAUCH
FOR INTERNAL USE ONLY

TV

1 / 2010

VISION 2 22-2940 T DVD

BESTELL-NR. / ORDER NO.: GBH4027 (HHB)

POS. NR. POS. NO.	ABB. FIG.	MATERIAL-NR. PART NUMBER	ANZ. QTY.	BEZEICHNUNG (D)	DESCRIPTION (GB)
		GBH4027		VISION 2 22-2940 T DVD PRODUKTCODE HHB KEIN E-TEIL	VISION 2 22-2940 T DVD PRODUCT CODE HHB NO SPARE PART
				Hinweis: Sollte in dieser Ersatzteilliste Ihr "Product Code" oder Ihre Display-Variante nicht aufgeführt sein, finden Sie eine aktualisierte Version auf dem GRUNDIG Service-Portal " http://service.grundig.de ".	Note: If your "Product Code" or display variant is not mentioned in the spare parts list, please look for a current version at the GRUNDIG service portal " http://service.grundig.de ".
0001.000		759551494600		GEH.-VORDERTEIL SCHWARZ	FRONT CABINET BLACK
0002.000		759551518000		RUECKWAND SCHWARZ	BACK COVER BLACK
0005.000		759551495100		FUSS SCHWARZ	FOOT BLACK
0006.000		759551507600		FUSS ZWISCHENSTUECK SCHWARZ	FOOT MIDDLE PART BLACK
0007.000		759551493600		KNOPF PROG./ON-OFF SCHWARZ	KNOB PROG./ON-OFF BLACK
0015.000		759551494700		LAUTSPRECHER 16 OHM 5/7 W	LOUDSPEAKER 16 OHM 5/7 W
0020.000	△	759551495500		LCD-DISPLAY LTA216AT01-002*1	LCD-DISPLAY LTA216AT01-002*1
0020.000	△	759551518200		LCD-DISPLAY LTA216AT01-S04*2	LCD-DISPLAY LTA216AT01-S04*2
0021.000		759551494800		DISPLAY KABEL LVDS 30P 120MM*1	DISPLAY CABLE LVDS 30P 120MM*1
0021.000		759551520900		KABEL DISPLAY-LVDS 100MM*2	CABLE DISPLAY-LVDS 100MM*2
0022.000	△	759551350200		NETZKABEL 150 CM	POWER CABLE 150 CM
0023.000	△	275990308500	X	LP-NETZTEILMODUL 21.6 T5/T6/D6	POWER BOARD 21.6 T5/T6/D6
0024.000	△	275990309300	X	LP-NETZTEILMODUL 21.6 (PSU+INV)	POWER BOARD 21.6 (PSU+INV)
0025.000	△	275991089200	X	LP-CHASSISMODUL DB (GKR)*1	CHASSIS BOARD DB (GKR)*1
0025.000	△	275991089100	X	LP-CHASSISMODUL DB (E3A)*2	CHASSIS BOARD DB (E3A)*2
0027.000		720117145500		FERNBEDIENUNG DVD-COMBO	REMOTE CONTROL DVD-COMBO
0030.000		759550451400		TASTSCHALTER	KEY SWITCH
0032.000		759551504200		IR-EMPFAENGER TSOP38438	IR RECEIVER TSOP38438
0040.000	△	759551478900		DVD-LAUFWERK DL-08HJ-00-020E+SW	DVD-LOADER DL-08HJ-00-020E+SW
0090.000		759551495200		KARTON	CARTON
0091.000		759551495300		POLSTER OBEN	CUSHION TOP
0092.000		759551495400		POLSTER BODEN	CUSHION BOTTOM
				DIE BEDIENUNGSANLEITUNG KOENNEN SIE IM INTERNET UNTER FOLGENDER ADRESSE ABRUFEN: WWW.GRUNDIG.DE MENU: DOWNLOADS	THE INSTRUCTION MANUAL CAN BE DOWNLOADED FROM THE INTERNET UNDER THE FOLLOWING ADDRESS: WWW.GRUNDIG.DE MENU: DOWNLOADS
		720100553000		SERVICE MANUAL D/GB	SERVICE MANUAL D/GB
		720108000001		SICHERHEITSMANUAL D/GB/E/F/I	SAFETY SERVICE MANUAL D/GB/E/F/I
				X = SIEHE GESONDERTE E-LISTE	X = SEE SEPARATE PARTS LIST

3 - 4

Es gelten die Vorschriften und Sicherheitshinweise gemäß dem Service Manual "Sicherheit", Mat.-Nummer 720108000001, sowie zusätzlich die eventuell abweichenden, landesspezifischen Vorschriften!



The regulations and safety instructions shall be valid as provided by the "Safety" Service Manual, part number 720108000001, as well as the respective national deviations.

ÄNDERUNGEN VORBEHALTEN / SUBJECT TO ALTERATION

Ersatzteilliste
Spare Parts List

NUR FÜR INTERNEN GEBRAUCH
FOR INTERNAL USE ONLY

TV

7 / 2010

VISION 2 22-2940 T DVD

BESTELL-NR. / ORDER NO.: GBH4057 (HJG)

POS. NR. POS. NO.	ABB. FIG.	MATERIAL-NR. PART NUMBER	ANZ. QTY.	BEZEICHNUNG (D)	DESCRIPTION (GB)
		GBH4057		VISION 2 22-2940 T DVD PRODUKTCODE HJG KEIN E-TEIL	VISION 2 22-2940 T DVD PRODUCT CODE HJG NO SPARE PART
				Hinweis: Sollte in dieser Ersatzteilliste Ihr "Product Code" oder Ihre Display-Variante nicht aufgeführt sein, finden Sie eine aktualisierte Version auf dem GRUNDIG Service-Portal " http://service.grundig.de ".	Note: If your "Product Code" or display variant is not mentioned in the spare parts list, please look for a current version at the GRUNDIG service portal " http://service.grundig.de ".
0001.000		759551494600		GEH.-VORDERTEIL SCHWARZ	FRONT CABINET BLACK
0002.000		759551518000		RUECKWAND SCHWARZ	BACK COVER BLACK
0005.000		759551493800		FUSS SCHWARZ	FOOT BLACK
0007.000		759551493600		KNOPF PROG./ON-OFF SCHWARZ	KNOB PROG./ON-OFF BLACK
0015.000		759551494700		LAUTSPRECHER 16 OHM 5/7 W 33X14	LOUDSPEAKER 16 OHM 5/7 W 33X14
0020.000	△	759551518200		LCD-DISPLAY SS LTA216AT01-S04	LCD-DISPLAY SS LTA216AT01-S04
0021.000		759551538600		KABEL DISPLAY-LVDS 120MM	CABLE DISPLAY-LVDS 120MM
0022.000	△	759551350200		NETZKABEL 150 CM	POWER CABLE 150 CM
0023.000	△	275990309300	X	LP-NETZTEILMODUL 21.6 (PSU+INV)	POWER BOARD 21.6 (PSU+INV) (GT)
0025.000	△	275991089100	X	LP-CHASSISMODUL DB (E3A)	CHASSIS BOARD DB (E3A)
0027.000		720117145700		FERNBEDIENUNG RC 23	REMOTE CONTROL RC 23
0030.000		759550451400		TASTSCHALTER	KEY SWITCH
0032.000		759551504200		IR-EMPFAENGER TSOP38438	IR RECEIVER TSOP38438
0033.000		759551541500		LED 5MM 3,5 V	LED 5MM 3,5 V
0040.000	△	759551494400		DVD-LOADER DL-08HJ-00-020E+SW	DVD-LOADER DL-08HJ-00-020E+SW
0090.000		759551495200		KARTON	CARTON
0091.000		759551495300		POLSTER OBEN	CUSHION TOP
0092.000		759551495400		POLSTER BODEN	CUSHION BOTTOM
				DIE BEDIENUNGSANLEITUNG KOENNEN SIE IM INTERNET UNTER FOLGENDER ADRESSE ABRUFEN: WWW.GRUNDIG.DE MENU: DOWNLOADS	THE INSTRUCTION MANUAL CAN BE DOWNLOADED FROM THE INTERNET UNDER THE FOLLOWING ADDRESS: WWW.GRUNDIG.DE MENU: DOWNLOADS
		720100553000		SERVICE MANUAL D/GB	SERVICE MANUAL D/GB
		720108000001		SICHERHEITSMANUAL D/GB/E/F/I	SAFETY SERVICE MANUAL D/GB/E/F/I
				X = SIEHE GESONDERTE E-LISTE	X = SEE SEPARATE PARTS LIST

Es gelten die Vorschriften und Sicherheitshinweise gemäß dem Service Manual "Sicherheit", Mat.-Nummer 720108000001, sowie zusätzlich die eventuell abweichenden, landesspezifischen Vorschriften!



The regulations and safety instructions shall be valid as provided by the "Safety" Service Manual, part number 720108000001, as well as the respective national deviations.

ÄNDERUNGEN VORBEHALTEN / SUBJECT TO ALTERATION

Ersatzteilliste
Spare Parts List

NUR FÜR INTERNEN GEBRAUCH
FOR INTERNAL USE ONLY

TV

12 / 2009

LP-NETZTEILMOUL 21.6 T5/T6/D6
POWER BOARD 21.6 T5/T6/D6

MATERIAL-NR. / PART NO.: 275990308500

POS. NR. POS. NO.	ABB. FIG.	MATERIAL-NR. PART NUMBER	ANZ. QTY.	BEZEICHNUNG Ⓚ	DESCRIPTION Ⓚ
	△	275990308500		LP-NETZTEILMODUL 21.6 T5/T6/D6	POWER BOARD 21.6 T5/T6/D6

POS. NR. POS. NO.	MATERIAL-NR. PART NUMBER	BEZEICHNUNG DESCRIPTION	POS. NR. POS. NO.	MATERIAL-NR. PART NUMBER	BEZEICHNUNG DESCRIPTION
C 2011	△ 759551498900	C-PPM 220NF K305VAC R:15CLS			
C 2022	△ 759550965300	KONDENS 220PF M 250VAC R:10			
C 2033	△ 759551338300	1 NF M 250VAC Y5U R:10 KOND			
C 2035	△ 759550965300	KONDENS 220PF M 250VAC R:10			
D 2001	759551499000	DIODE STKY SB560 5A 60V DO2			
D 2002	759551395300	DIODE UF4007F R:12.5			
D 2004	759551499200	DIODE-CHIP BRIDGE DI156S 1.			
D 2013	759530510400	DIODE BAV 99			
D 2015	759530510400	DIODE BAV 99			
D 2026	759551395300	DIODE UF4007F R:12.5			
D 2027	759551499000	DIODE STKY SB560 5A 60V DO2			
D 2031	759551327400	MBRP3010N SCHT.30A 100V TO-			
D 2054	759530510400	DIODE BAV 99			
D 2055	759530510400	DIODE BAV 99			
F 2001	△ 759551198500	SICHERUNG 2AT/255V VERZOEIGE			
IC 2001	759551434500	IC-SMD ZTL431AFFTA SOT23F T			
IC 2002	759551397400	IC-CHIP FSCM0465RJX D2PAC-6			
IC 2003	△ 759551499400	IC-CHIP TCLK1003 OPTO COU			
IC 2004	759551434500	IC-SMD ZTL431AFFTA SOT23F T			
IC 2006	759551397500	IC-CHIP FAN7314MX SOIC20 T&			
L 2001	759550624400	SPULE 10 UH			
L 2003	759550624400	SPULE 10 UH			
L 2004	759551395900	SPULE 4.7UH 3A RADIAL R:10			
L 2005	△ 759551397700	LINE FILTER 10MH 0.7A PLA10			
S 2002	△ 759551499700	NETZANSCHLUSS 2PIN / VERTIC			
T 2001	△ 759551388000	TRANS-CHIP PMV56XN N-CH			
T 2002	830100484800	SMD TRANS BC848B/ BC847B P			
T 2006	759551499900	TRANS-SMD FDD4141 40V 50A P			
T 2009	759551500000	TRANS-SMD FDD8778 25V 35A N			
TR 2001	△ 759551404300	TRAFO SMT JEWEL BCK0280904			
TR 2003	△ 759551504600	TRAFO INVERTER TMS93633CT			

Ersatzteilliste
Spare Parts List

NUR FÜR INTERNEN GEBRAUCH
FOR INTERNAL USE ONLY

TV

12 / 2009

LP-NETZTEILMOUDUL 21.6 PSU+INV
POWER SUPPLY BOARD 21.6 PSU+INV

MATERIAL-NR. / PART NO.: 275990309300

POS. NR. POS. NO.	ABB. FIG.	MATERIAL-NR. PART NUMBER	ANZ. QTY.	BEZEICHNUNG Ⓚ	DESCRIPTION Ⓚ
	△	275990309300		LP-NETZTEILMODUL 21.6 (PSU+INV)	POWER BOARD 21.6 (PSU+INV)

POS. NR. POS. NO.	MATERIAL-NR. PART NUMBER	BEZEICHNUNG DESCRIPTION	POS. NR. POS. NO.	MATERIAL-NR. PART NUMBER	BEZEICHNUNG DESCRIPTION
C 2011	△ 759551498900	C-PPM 220NF K305VAC R:15CLS			
C 2022	△ 759550965300	KONDENS 220PF M 250VAC R:10			
C 2033	△ 759551338300	1 NF M 250VAC Y5U R:10 KOND			
C 2035	△ 759550965300	KONDENS 220PF M 250VAC R:10			
D 2002	759551395300	DIODE UF4007F R:12.5			
D 2004	759551499200	DIODE-CHIP BRIDGE DI156S 1.			
D 2013	759530510400	DIODE BAV 99			
D 2015	759530510400	DIODE BAV 99			
D 2026	759551395300	DIODE UF4007F R:12.5			
D 2031	759551327400	MBRP3010N SCHT.30A 100V TO-			
D 2054	759530510400	DIODE BAV 99			
D 2055	759530510400	DIODE BAV 99			
F 2001	△ 759551198500	SICHERUNG 2AT/255V VERZOEIGE			
IC 2001	759551434500	IC-SMD ZTL431AFFTA SOT23F T			
IC 2002	759551397400	IC-CHIP FSCM0465RJX D2PAC-6			
IC 2003	△ 759551499400	IC-CHIP TCLK1003 OPTO COU			
IC 2004	759551434500	IC-SMD ZTL431AFFTA SOT23F T			
IC 2006	759551397500	IC-CHIP FAN7314MX SOIC20 T&			
L 2001	759550624400	SPULE 10 UH			
L 2003	759550624400	SPULE 10 UH			
L 2004	759551395900	SPULE 4.7UH 3A RADIAL R:10			
L 2005	△ 759551397700	LINE FILTER 10MH 0.7A PLA10			
S 2002	△ 759551499700	NETZANSCHLUSS 2PIN / VERTIC			
T 2001	△ 759551388000	TRANS-CHIP PMV56XN N-CH			
T 2002	830100484800	SMD TRANS BC848B/ BC847B P			
T 2006	759551499900	TRANS-SMD FDD4141 40V 50A P			
T 2009	759551500000	TRANS-SMD FDD8778 25V 35A N			
TR 2001	△ 759551404300	TRAFO SMT JEWEL BCK0280904			
TR 2003	△ 759551504600	TRAFO INVERTER TMS93633CT			

3-5

Es gelten die Vorschriften und Sicherheitshinweise gemäß dem Service Manual "Sicherheit", Mat.-Nummer 720108000001, sowie zusätzlich die eventuell abweichenden, landesspezifischen Vorschriften!



The regulations and safety instructions shall be valid as provided by the "Safety" Service Manual, part number 720108000001, as well as the respective national deviations.

ÄNDERUNGEN VORBEHALTEN / SUBJECT TO ALTERATION

Es gelten die Vorschriften und Sicherheitshinweise gemäß dem Service Manual "Sicherheit", Mat.-Nummer 720108000001, sowie zusätzlich die eventuell abweichenden, landesspezifischen Vorschriften!



The regulations and safety instructions shall be valid as provided by the "Safety" Service Manual, part number 720108000001, as well as the respective national deviations.

ÄNDERUNGEN VORBEHALTEN / SUBJECT TO ALTERATION

Ersatzteilliste
Spare Parts List

NUR FÜR INTERNEN GEBRAUCH
FOR INTERNAL USE ONLY

TV

12 / 2009

LP-NETZTEILMODUL 18.5 D6
POWER BOARD 18.5 D6

MATERIAL-NR. / PART NO.: 275990309500

POS. NR. POS. NO.	ABB. FIG.	MATERIAL-NR. PART NUMBER	ANZ. QTY.	BEZEICHNUNG (D)	DESCRIPTION (GB)
	△	275990309500		LP-NETZTEILMODUL 18.5 D6 CHA.	POWER BOARD 18.5 D6 CHA.

POS. NR. POS. NO.	MATERIAL-NR. PART NUMBER	BEZEICHNUNG DESCRIPTION	POS. NR. POS. NO.	MATERIAL-NR. PART NUMBER	BEZEICHNUNG DESCRIPTION
C 2011	△ 759551498900	C-PPM 220NF K305VAC R:15CLS	TR 2001	△ 759551404300	TRAFO SMT JEWEL BCK0280904
C 2022	△ 759551338300	1 NF M 250VAC Y5U R:10 KOND	TR 2002	△ 759551404400	SMT INVERTER 19W HVT-108
C 2033	△ 759551338300	1 NF M 250VAC Y5U R:10 KOND			
C 2035	△ 759551338300	1 NF M 250VAC Y5U R:10 KOND			
D 2001	759551229300	DIODE SCHOTTKY DO-201AD 60V			
D 2002	759551395300	DIODE UF4007F R:12.5			
D 2003	759551499100	DIODE-CHIP ES1D 1A 200V U.F			
D 2004	759551499200	DIODE-CHIP BRIDGE DI156S 1.			
D 2005	759530510400	DIODE BAV 99			
D 2010	759551098600	DIODE STPS340U			
D 2013	759530510400	DIODE BAV 99			
D 2015	759530510400	DIODE BAV 99			
D 2026	759551395300	DIODE UF4007F R:12.5			
D 2027	759551229300	DIODE SCHÖTTKY DO-201AD 60V			
F 2003	△ 759550935300	SICHERUNG T5 A / 250 V			
IC 2001	759551434500	IC-SMD ZTL431AFFTA SOT23F T			
IC 2002	759551397400	IC-CHIP FSCM0465RJX D2PAC-6			
IC 2003	△ 759551499400	IC-CHIP TCLK1003 OPTO COU			
IC 2004	759551434500	IC-SMD ZTL431AFFTA SOT23F T			
IC 2005	759551499500	IC-SMD NCP1575DR2G SO8 T&R			
IC 2006	759551397500	IC-CHIP FAN7314MX SOIC20 T&			
IC 2007	759551411900	TRANS FDS6984AS SO8 MOSFET			
L 2001	759550624400	SPULE 10 UH			
L 2003	759550624400	SPULE 10 UH			
L 2004	759551378200	SPULE 3.3 UH 5.9A RADIAL			
L 2005	△ 759551397700	LINE FILTER 10MH 0.7A PLA10			
L 2006	759551499600	SPULE 15UH 3.4A TDK TSL1112			
Q 2001	759550973400	TRANS 2N7002			
Q 2002	759550973400	TRANS 2N7002			
S 2002	△ 759551499700	NETZANSCHLUSS 2PIN / VERTIC			
S 2005	△ 759551499800	DC ANSCHLUSS 2MM DIK			
T 2001	△ 759551388000	TRANS-CHIP PMV56XN N-CH			
T 2002	830100484800	SMD TRANS BC848B/ BC847B P			
T 2003	759551388500	TRANS-CHIP PMV65XP P-CH			

Es gelten die Vorschriften und Sicherheitshinweise gemäß dem Service Manual "Sicherheit", Mat.-Nummer 720108000001, sowie zusätzlich die eventuell abweichenden, landesspezifischen Vorschriften!



The regulations and safety instructions shall be valid as provided by the "Safety" Service Manual, part number 720108000001, as well as the respective national deviations.

ÄNDERUNGEN VORBEHALTEN / SUBJECT TO ALTERATION

Ersatzteilliste
Spare Parts List

NUR FÜR INTERNEN GEBRAUCH
FOR INTERNAL USE ONLY

TV

11 / 2010

LP-NETZTEILMODUL 21.6 T5/T6
POWER BOARD 21.6 T5/T6

MATERIAL-NR. / PART NO.: 275990311800

POS. NR. POS. NO.	ABB. FIG.	MATERIAL-NR. PART NUMBER	ANZ. QTY.	BEZEICHNUNG (D)	DESCRIPTION (GB)
	△	275990311800		LP-NETZTEILMODUL 21.6 T5/T6	POWER BOARD 21.6 T5/T6

POS. NR. POS. NO.	MATERIAL-NR. PART NUMBER	BEZEICHNUNG DESCRIPTION	POS. NR. POS. NO.	MATERIAL-NR. PART NUMBER	BEZEICHNUNG DESCRIPTION
C 2011	△ 759551570500	C-PPM 150NF K 310VAC X2 R:1	T 2003	759551388500	TRANS-CHIP PMV65XP P-CH
C 2022	△ 759550965300	KONDENS 220PF M 250VAC R:10	T 2006	759551499900	TRANS-SMD FDD4141 40V 50A P
C 2033	△ 759551338300	1 NF M 250VAC Y5U R:10 KOND	T 2009	759551500000	TRANS-SMD FDD8778 25V 35A N
C 2035	△ 759550965300	KONDENS 220PF M 250VAC R:10			
D 2001	759551499000	DIODE STKY SB560 5A 60V DO2	TR 2001	△ 759551404300	TRAFO SMT JEWEL BCK0280904
D 2002	759551395300	DIODE UF4007F R:12.5	TR 2003	△ 759551557500	TRAFO INVERTER JEWEL HVT-26
D 2003	759551499100	DIODE-CHIP ES1D 1A 200V U.F			
D 2004	759551499200	DIODE-CHIP BRIDGE DI156S 1.	ZD 2004	759540390700	Z-DIODE BZX55-C6V2
D 2006	759530510400	DIODE BAV 99			
D 2010	759551395300	DIODE UF4007F R:12.5			
D 2013	759530510400	DIODE BAV 99			
D 2015	759530510400	DIODE BAV 99			
D 2026	759551395300	DIODE UF4007F R:12.5			
D 2027	759551499000	DIODE STKY SB560 5A 60V DO2			
D 2054	759530510400	DIODE BAV 99			
D 2055	759530510400	DIODE BAV 99			
IC 2001	759551434500	IC-SMD ZTL431AFFTA SOT23F T			
IC 2002	759551397400	IC-CHIP FSCM0465RJX D2PAC-6			
IC 2003	△ 759551499400	IC-CHIP TCLK1003 OPTO COU			
IC 2004	759551434500	IC-SMD ZTL431AFFTA SOT23F T			
IC 2005	759551499500	IC-SMD NCP1575DR2G SO8 T&R			
IC 2006	759551397500	IC-CHIP FAN7314MX SOIC20 T&			
IC 2007	759551411900	TRANS FDS6984AS SO8 MOSFET			
L 2001	759550451500	SPULE 10UH R0814			
L 2003	759550624400	SPULE 10 UH			
L 2004	759551395900	SPULE 4.7UH 3A RADIAL R:10			
L 2005	△ 759551397700	LINE FILTER 10MH 0.7A PLA10			
L 2006	759551499600	SPULE 15UH 3.4A TDK TSL1112			
L 2013	759551562600	SMD SPULE 10UH M 200MA			
Q 2001	759550973400	TRANS 2N7002			
Q 2002	759550973400	TRANS 2N7002			
S 2000	759551570700	DC-ANSCHLUSS 6A 3PIN FEMALE			
S 2002	△ 759551499700	NETZANSCHLUSS 2PIN / VERTIC			
T 2001	△ 759551501700	TRANS-SMD DMN3150L-7 30V 3.			
T 2002	830100484800	SMD TRANS BC848B/ BC847B P			

Es gelten die Vorschriften und Sicherheitshinweise gemäß dem Service Manual "Sicherheit", Mat.-Nummer 720108000001, sowie zusätzlich die eventuell abweichenden, landesspezifischen Vorschriften!



The regulations and safety instructions shall be valid as provided by the "Safety" Service Manual, part number 720108000001, as well as the respective national deviations.

ÄNDERUNGEN VORBEHALTEN / SUBJECT TO ALTERATION

Ersatzteilliste
Spare Parts List

NUR FÜR INTERNEN GEBRAUCH
FOR INTERNAL USE ONLY



2 / 2011

LP-NETZTEILMODUL 21.6 T5/T6
POWER BOARD 21.6 T5/T6

MATERIAL-NR. / PART NO.: 275990312000

POS. NR. POS. NO.	ABB. FIG.	MATERIAL-NR. PART NUMBER	ANZ. QTY.	BEZEICHNUNG (D)	DESCRIPTION (GB)
	△	275990312000		LP-NETZTEILMODUL 21.6 T5/T6 CHA	POWER BOARD 21.6 T5/T6 CHA

POS. NR. POS. NO.	MATERIAL-NR. PART NUMBER	BEZEICHNUNG DESCRIPTION	POS. NR. POS. NO.	MATERIAL-NR. PART NUMBER	BEZEICHNUNG DESCRIPTION
C 2011	△ 759551570500	C-PPM 150NF K 310VAC X2 R:1	T 2003	759551388500	TRANS-CHIP PMV65XP P-CH
C 2022	△ 759550965300	KONDENS 220PF M 250VAC R:10	T 2006	759551499900	TRANS-SMD FDD4141 40V 50A P
C 2033	△ 759551338300	1 NF M 250VAC Y5U R:10 KOND	T 2009	759551500000	TRANS-SMD FDD8778 25V 35A N
C 2035	△ 759550965300	KONDENS 220PF M 250VAC R:10	TR 2001	△ 759551404300	TRAFO SMT JEWEL BCK0280904
D 2001	759551499000	DIODE STKY SB560 5A 60V DO2	TR 2003	△ 759551504600	TRAFO INVERTER TMS93633CT
D 2002	759551395300	DIODE UF4007F R:12.5	ZD 2004	759540390700	Z-DIODE BZX55-C6V2
D 2003	759551499100	DIODE-CHIP ES1D 1A 200V U.F			
D 2004	759551499200	DIODE-CHIP BRIDGE DI156S 1.			
D 2006	759530510400	DIODE BAV 99			
D 2010	759551395300	DIODE UF4007F R:12.5			
D 2013	759530510400	DIODE BAV 99			
D 2015	759530510400	DIODE BAV 99			
D 2026	759551395300	DIODE UF4007F R:12.5			
D 2027	759551499000	DIODE STKY SB560 5A 60V DO2			
D 2031	759551327400	MBRP3010N SCHT.30A 100V TO-			
D 2054	759530510400	DIODE BAV 99			
D 2055	759530510400	DIODE BAV 99			
IC 2001	759551434500	IC-SMD ZTL431AFFTA SOT23F T			
IC 2002	759551397400	IC-CHIP FSCM0465RUX D2PAC-6			
IC 2003	△ 759551499400	IC-CHIP TCLT1003 OPTO COU			
IC 2004	759551434500	IC-SMD ZTL431AFFTA SOT23F T			
IC 2005	759551499500	IC-SMD NCP1575DR2G SO8 T&R			
IC 2006	759551397500	IC-CHIP FAN7314MX SOIC20 T&			
IC 2007	759551411900	TRANS FDS6984AS SO8 MOSFET			
L 2001	759550451500	SPULE 10UH R0814			
L 2003	759550624400	SPULE 10 UH			
L 2004	759551395900	SPULE 4.7UH 3A RADIAL R:10			
L 2005	△ 759551397700	LINE FILTER 10MH 0.7A PLA10			
L 2006	759551499600	SPULE 15UH 3.4A TDK TSL1112			
L 2013	759551562600	SMD SPULE 10UH M 200MA			
Q 2001	759550973400	TRANS 2N7002			
Q 2002	759550973400	TRANS 2N7002			
S 2000	759551570700	DC-ANSCHLUSS 6A 3PIN FEMALE			
S 2002	△ 759551499700	NETZANSCHLUSS 2PIN / VERTIC			
T 2001	△ 759551501700	TRANS-SMD DMN3150L-7 30V 3.			
T 2002	830100484800	SMD TRANS BC848B/ BC847B P			

Es gelten die Vorschriften und Sicherheitshinweise gemäß dem Service Manual "Sicherheit", Mat.-Nummer 720108000001, sowie zusätzlich die eventuell abweichenden, landesspezifischen Vorschriften!



The regulations and safety instructions shall be valid as provided by the "Safety" Service Manual, part number 720108000001, as well as the respective national deviations.

ÄNDERUNGEN VORBEHALTEN / SUBJECT TO ALTERATION

Ersatzteilliste
Spare Parts List

NUR FÜR INTERNEN GEBRAUCH
FOR INTERNAL USE ONLY



1 / 2010

LP-CHASSISMODUL DB
CHASSIS BOARD DB

MATERIAL-NR. / PART NO.: 275991089000

POS. NR. POS. NO.	ABB. FIG.	MATERIAL-NR. PART NUMBER	ANZ. QTY.	BEZEICHNUNG (D)	DESCRIPTION (GB)
	△	275991089000		LP-CHASSISMODUL DB (HHC)	CHASSIS BOARD DB (HHC)

POS. NR. POS. NO.	MATERIAL-NR. PART NUMBER	BEZEICHNUNG DESCRIPTION	POS. NR. POS. NO.	MATERIAL-NR. PART NUMBER	BEZEICHNUNG DESCRIPTION
D 901	759551497600	DIODE STKY-SMD PMEG2020EH 2	S 501	759551435100	PCMCIA SINGLE BUCHSE KURZ
D 902	759551497600	DIODE STKY-SMD PMEG2020EH 2	S 601	759551501100	CONN-SMD HDMI E110001-139 V
F 301	759551500100	FILTER SAW HDVF389A7DC SIP5	S 602	759551498700	CON.500254-1927 MOLEX HDMI
F 302	759551500200	FILTER SAW HDVF389A1DC (OFW	S 701	759551501200	KOPFHOERERBU. E328-3 DIK 3
IC 201	759551500300	IC-SMD MSB1210-LF LQFP48 T&	S 702	759551501300	BUCHSE VGA (DSUB15) 48203-9
IC 301	759551468300	IC-SMD 74LVC1G66GW 165 TSSO	S 703	759551501400	EURO-AV-BUCHSE CS-102A-EN D
IC 401	759551497900	IC-SMD NT5TU32M16CG-25C T&R	S 705	759551501500	ANSCHL-SMD USB-4P-AV-SMT Y
IC 402	759551497900	IC-SMD NT5TU32M16CG-25C T&R	S 801	759551175900	BUCHSE KOPFHOERER STEREO
IC 404	759551480200	IC-SMD MSD237HFG-LF-SF TFBG	T 302	759551098200	TRANS BC847BPDW1T
IC 405	759551502600	IC-SMD R1EX24512	T 701	759551098200	TRANS BC847BPDW1T
IC 408	759551500500	IC-SMD R1EX24032ASAS0A#S0 S	T 901	759551098300	TRANS BC847BDW1T1
IC 501	759551498600	IC-SMD NC7SZ08P5X SOT353 T&	T 902	759551501600	TRANS-SMD DMP2215L-7 20V 2.
IC 502	759551480300	IC-SMD SN74CBT3861PWR TSSO	T 903	759551098300	TRANS BC847BDW1T1
IC 503	759551500600	IC-SMD STMP2151STR SOT23-5	T 904	759551501700	TRANS-SMD DMN3150L-7 30V 3.
IC 601	759551500700	IC-SMD R1EX24008ASAS0A#S0 S	T 906	759551098300	TRANS BC847BDW1T1
IC 602	759551500700	IC-SMD R1EX24008ASAS0A#S0 S	T 907	759551407300	TRANS-CHIP PBL54003D SOT457
IC 701	759551502800	IC-SMD AP2171WG-7 SOT23-5	TU 301	759551501800	TUNER HYBRID TDAG4-D01A DIK
IC 702	759551500700	IC-SMD R1EX24008ASAS0A#S0 S			
IC 705	759551500800	IC-SMD TL0821PWR TSSOP8 T&R	X 200	759551473200	QUARZ -CHIP 24MHZ SMU4-22-3
IC 801	759551469200	IC-SMD MAX9736BETJ+T TQFN-E	X 400	759551469400	QUARZ-CHIP 12MHZ 12PF-30/30
IC 802	759551480400	IC-SMD TS4881QT DFN8 T&R			
IC 803	759551434500	IC-SMD ZTL431AFFTA SOT23F T			
IC 901	759551480500	IC-SMD AP7173FNG-7 DFN3030-			
IC 902	759551500900	IC-SMD MP2119DQ-LF-Z QFN10			
IC 903	759551524700	IC-SMD MP2205ADL			
L 201	759551364700	FERRIT CHIP SBY100505T-102Y			
L 202	759551364700	FERRIT CHIP SBY100505T-102Y			
L 203	759551364700	FERRIT CHIP SBY100505T-102Y			
L 204	759551364700	FERRIT CHIP SBY100505T-102Y			
L 303	759551364700	FERRIT CHIP SBY100505T-102Y			
L 305	759550541900	SMD SPULE 1UH K0805			
L 405	759551364700	FERRIT CHIP SBY100505T-102Y			
L 406	759551364700	FERRIT CHIP SBY100505T-102Y			
L 407	759551364700	FERRIT CHIP SBY100505T-102Y			
L 408	759551364700	FERRIT CHIP SBY100505T-102Y			
L 409	759551364700	FERRIT CHIP SBY100505T-102Y			
L 410	759551364700	FERRIT CHIP SBY100505T-102Y			
L 412	759551364700	FERRIT CHIP SBY100505T-102Y			
L 903	759551364700	FERRIT CHIP SBY100505T-102Y			
L 914	759551364700	FERRIT CHIP SBY100505T-102Y			

Es gelten die Vorschriften und Sicherheitshinweise gemäß dem Service Manual "Sicherheit", Mat.-Nummer 720108000001, sowie zusätzlich die eventuell abweichenden, landesspezifischen Vorschriften!



The regulations and safety instructions shall be valid as provided by the "Safety" Service Manual, part number 720108000001, as well as the respective national deviations.

ÄNDERUNGEN VORBEHALTEN / SUBJECT TO ALTERATION

Ersatzteilliste
Spare Parts List

NUR FÜR INTERNEN GEBRAUCH
FOR INTERNAL USE ONLY



1 / 2010

LP-CHASSISMODUL DB
CHASSIS BOARD DB

MATERIAL-NR. / PART NO.: 275991089100

POS. NR. POS. NO.	ABB. FIG.	MATERIAL-NR. PART NUMBER	ANZ. QTY.	BEZEICHNUNG D	DESCRIPTION GB
----------------------	--------------	-----------------------------	--------------	------------------	-------------------

△ 275991089100 LP-CHASSISMODUL DB (E3A) CHASSIS BOARD DB (E3A)

POS. NR. POS. NO.	MATERIAL-NR. PART NUMBER	BEZEICHNUNG DESCRIPTION	POS. NR. POS. NO.	MATERIAL-NR. PART NUMBER	BEZEICHNUNG DESCRIPTION
D 901	759551497600	DIODE STKY-SMD PMEG2020EH 2	L 903	759551364700	FERRIT CHIP SBY100505T-102Y
D 902	759551497600	DIODE STKY-SMD PMEG2020EH 2	L 914	759551364700	FERRIT CHIP SBY100505T-102Y
F 301	759551500100	FILTER SAW HDAF389A7DC SIP5	S 501	759551435100	PCMCIA SINGLE BUCHSE KURZ
F 302	759551500200	FILTER SAW HDVF389A1DC (OFW)	S 601	759551501100	CONN-SMD HDMI E110001-139 V
IC 201	759551500300	IC-SMD MSB1210-LF LQFP48 T&	S 602	759551498700	CON.500254-1927 MOLEX HDMI
IC 301	759551468300	IC-SMD 74LVC1G66GW 165 TSSO	S 701	759551501200	KOPFHOERERBU. EJ328-3 DIK 3
IC 401	759551497900	IC-SMD NT5TU32M16CG-25C T&R	S 702	759551501300	BUCHSE VGA (DSUB15) 48203-9
IC 402	759551497900	IC-SMD NT5TU32M16CG-25C T&R	S 703	759551501400	EURO-AV-BUCHSE CS-102A-EN D
IC 404	759551480200	IC-SMD MSD237HFG-LF-SF TFBG	S 705	759551501500	ANSCHL-SMD USB-4P-A/F-SMT Y
IC 405	759551502600	IC-SMD R1EX24512	S 801	759551175900	BUCHSE KOPFHOERER STEREO
IC 408	759551500500	IC-SMD R1EX24032ASAS0A#S0 S	T 302	759551098200	TRANS BC847BPDW1T
IC 501	759551498600	IC-SMD NC7S208P5X SOT353 T&	T 701	759551098200	TRANS BC847BPDW1T
IC 502	759551480300	IC-SMD SN74CBT03861PWR TSSO	T 901	759551098300	TRANS BC847BDW1T1
IC 503	759551500600	IC-SMD STMP2151STR SOT23-5	T 902	759551501600	TRANS-SMD DMP2215L-7 20V 2.
IC 601	759551500700	IC-SMD R1EX24008ASAS0A#S0 S	T 903	759551098300	TRANS BC847BDW1T1
IC 602	759551500700	IC-SMD R1EX24008ASAS0A#S0 S	T 904	759551501700	TRANS-SMD DMN3150L-7 30V 3.
IC 701	759551502800	IC-SMD AP2171WG-7 SOT23-5	T 906	759551098300	TRANS BC847BDW1T1
IC 702	759551500700	IC-SMD R1EX24008ASAS0A#S0 S	T 907	759551407300	TRANS-CHIP PBL54003D SOT457
IC 705	759551500800	IC-SMD TL082IPWR TSSOP8 T&R	TU 301	759551501800	TUNER HYBRID TDAG4-D01A DIK
IC 801	759551469200	IC-SMD MAX9736BETJ-T TQFN-E	X 200	759551473200	QUARZ -CHIP 24MHZ SMU4-22-3
IC 802	759551480400	IC-SMD TS4881QT DFN8 T&R	X 400	759551469400	QUARZ-CHIP 12MHZ 12PF-30/30
IC 803	759551434500	IC-SMD ZTL431AFFTA SOT23F T			
IC 901	759551480500	IC-SMD AP7173FNG-7 DFN3030-			
IC 902	759551500900	IC-SMD MP2119DQ-LF-Z QFN10			
IC 903	759551524700	IC-SMD MP2205ADL			
L 201	759551364700	FERRIT CHIP SBY100505T-102Y			
L 202	759551364700	FERRIT CHIP SBY100505T-102Y			
L 203	759551364700	FERRIT CHIP SBY100505T-102Y			
L 204	759551364700	FERRIT CHIP SBY100505T-102Y			
L 303	759551364700	FERRIT CHIP SBY100505T-102Y			
L 305	759550541900	SMD SPULE 1UH K0805			
L 405	759551364700	FERRIT CHIP SBY100505T-102Y			
L 406	759551364700	FERRIT CHIP SBY100505T-102Y			
L 407	759551364700	FERRIT CHIP SBY100505T-102Y			
L 408	759551364700	FERRIT CHIP SBY100505T-102Y			
L 409	759551364700	FERRIT CHIP SBY100505T-102Y			
L 410	759551364700	FERRIT CHIP SBY100505T-102Y			
L 412	759551364700	FERRIT CHIP SBY100505T-102Y			

Es gelten die Vorschriften und Sicherheitshinweise gemäß dem Service Manual "Sicherheit", Mat.-Nummer 720108000001, sowie zusätzlich die eventuell abweichenden, landesspezifischen Vorschriften!



The regulations and safety instructions shall be valid as provided by the "Safety" Service Manual, part number 720108000001, as well as the respective national deviations.

ÄNDERUNGEN VORBEHALTEN / SUBJECT TO ALTERATION

Ersatzteilliste
Spare Parts List

NUR FÜR INTERNEN GEBRAUCH
FOR INTERNAL USE ONLY



1 / 2010

LP-CHASSISMODUL DB
CHASSIS BOARD DB

MATERIAL-NR. / PART NO.: 275991089200

POS. NR. POS. NO.	ABB. FIG.	MATERIAL-NR. PART NUMBER	ANZ. QTY.	BEZEICHNUNG D	DESCRIPTION GB
----------------------	--------------	-----------------------------	--------------	------------------	-------------------

△ 275991089200 LP-CHASSISMODUL DB (GKR) CHASSIS BOARD DB (GKR)

POS. NR. POS. NO.	MATERIAL-NR. PART NUMBER	BEZEICHNUNG DESCRIPTION	POS. NR. POS. NO.	MATERIAL-NR. PART NUMBER	BEZEICHNUNG DESCRIPTION
D 901	759551497600	DIODE STKY-SMD PMEG2020EH 2	L 903	759551364700	FERRIT CHIP SBY100505T-102Y
D 902	759551497600	DIODE STKY-SMD PMEG2020EH 2	L 914	759551364700	FERRIT CHIP SBY100505T-102Y
F 301	759551500100	FILTER SAW HDAF389A7DC SIP5	S 501	759551435100	PCMCIA SINGLE BUCHSE KURZ
F 302	759551500200	FILTER SAW HDVF389A1DC (OFW)	S 601	759551501100	CONN-SMD HDMI E110001-139 V
IC 201	759551500300	IC-SMD MSB1210-LF LQFP48 T&	S 602	759551498700	CON.500254-1927 MOLEX HDMI
IC 301	759551468300	IC-SMD 74LVC1G66GW 165 TSSO	S 701	759551501200	KOPFHOERERBU. EJ328-3 DIK 3
IC 401	759551497900	IC-SMD NT5TU32M16CG-25C T&R	S 702	759551501300	BUCHSE VGA (DSUB15) 48203-9
IC 402	759551497900	IC-SMD NT5TU32M16CG-25C T&R	S 703	759551501400	EURO-AV-BUCHSE CS-102A-EN D
IC 404	759551480200	IC-SMD MSD237HFG-LF-SF TFBG	S 705	759551501500	ANSCHL-SMD USB-4P-A/F-SMT Y
IC 405	759551502600	IC-SMD R1EX24512	S 801	759551175900	BUCHSE KOPFHOERER STEREO
IC 408	759551500500	IC-SMD R1EX24032ASAS0A#S0 S	T 302	759551098200	TRANS BC847BPDW1T
IC 501	759551498600	IC-SMD NC7S208P5X SOT353 T&	T 701	759551098200	TRANS BC847BPDW1T
IC 502	759551480300	IC-SMD SN74CBT03861PWR TSSO	T 901	759551098300	TRANS BC847BDW1T1
IC 503	759551500600	IC-SMD STMP2151STR SOT23-5	T 902	759551501600	TRANS-SMD DMP2215L-7 20V 2.
IC 601	759551500700	IC-SMD R1EX24008ASAS0A#S0 S	T 903	759551098300	TRANS BC847BDW1T1
IC 602	759551500700	IC-SMD R1EX24008ASAS0A#S0 S	T 904	759551501700	TRANS-SMD DMN3150L-7 30V 3.
IC 701	759551502800	IC-SMD AP2171WG-7 SOT23-5	T 906	759551098300	TRANS BC847BDW1T1
IC 702	759551500700	IC-SMD R1EX24008ASAS0A#S0 S	T 907	759551407300	TRANS-CHIP PBL54003D SOT457
IC 705	759551500800	IC-SMD TL082IPWR TSSOP8 T&R	TU 301	759551501800	TUNER HYBRID TDAG4-D01A DIK
IC 801	759551469200	IC-SMD MAX9736BETJ-T TQFN-E	X 200	759551473200	QUARZ -CHIP 24MHZ SMU4-22-3
IC 802	759551480400	IC-SMD TS4881QT DFN8 T&R	X 400	759551469400	QUARZ-CHIP 12MHZ 12PF-30/30
IC 803	759551434500	IC-SMD ZTL431AFFTA SOT23F T			
IC 901	759551480500	IC-SMD AP7173FNG-7 DFN3030-			
IC 902	759551500900	IC-SMD MP2119DQ-LF-Z QFN10			
IC 903	759551524700	IC-SMD MP2205ADL			
L 201	759551364700	FERRIT CHIP SBY100505T-102Y			
L 202	759551364700	FERRIT CHIP SBY100505T-102Y			
L 203	759551364700	FERRIT CHIP SBY100505T-102Y			
L 204	759551364700	FERRIT CHIP SBY100505T-102Y			
L 303	759551364700	FERRIT CHIP SBY100505T-102Y			
L 305	759550541900	SMD SPULE 1UH K0805			
L 405	759551364700	FERRIT CHIP SBY100505T-102Y			
L 406	759551364700	FERRIT CHIP SBY100505T-102Y			
L 407	759551364700	FERRIT CHIP SBY100505T-102Y			
L 408	759551364700	FERRIT CHIP SBY100505T-102Y			
L 409	759551364700	FERRIT CHIP SBY100505T-102Y			
L 410	759551364700	FERRIT CHIP SBY100505T-102Y			
L 412	759551364700	FERRIT CHIP SBY100505T-102Y			

Es gelten die Vorschriften und Sicherheitshinweise gemäß dem Service Manual "Sicherheit", Mat.-Nummer 720108000001, sowie zusätzlich die eventuell abweichenden, landesspezifischen Vorschriften!



The regulations and safety instructions shall be valid as provided by the "Safety" Service Manual, part number 720108000001, as well as the respective national deviations.

ÄNDERUNGEN VORBEHALTEN / SUBJECT TO ALTERATION

Ersatzteilliste
Spare Parts List

NUR FÜR INTERNEN GEBRAUCH
FOR INTERNAL USE ONLY



1 / 2010

LP-CHASSISMODUL DB
CHASSIS BOARD DB

MATERIAL-NR. / PART NO.: 27599117600

POS. NR. POS. NO.	ABB. FIG.	MATERIAL-NR. PART NUMBER	ANZ. QTY.	BEZEICHNUNG D	DESCRIPTION GB
----------------------	--------------	-----------------------------	--------------	------------------	-------------------

△ 27599117600 LP-CHASSISMODUL DB (BES) CHASSISBOARD DB (BES)

POS. NR. POS. NO.	MATERIAL-NR. PART NUMBER	BEZEICHNUNG DESCRIPTION	POS. NR. POS. NO.	MATERIAL-NR. PART NUMBER	BEZEICHNUNG DESCRIPTION
D 901	759551497600	DIODE STKY-SMD PMEG2020EH 2	L 914	759551364700	FERRIT CHIP SBY100505T-102Y
D 902	759551497600	DIODE STKY-SMD PMEG2020EH 2	S 501	759551435100	PCMCIA SINGLE BUCHSE KURZ
F 301	759551500100	FILTER SAW HDVDF389A7DC SIP5	S 601	759551501100	CONN-SMD HDMI E110001-139 V
F 302	759551500200	FILTER SAW HDVDF389A1DC (QFV)	S 602	759551498700	CON.500254-1927 MOLEX HDMI
IC 201	759551500300	IC-SMD MSB1210-LF LQFP48 T&	S 701	759551501200	KOPFHOERERBU. EJ328-3 DIK 3
IC 301	759551468300	IC-SMD 74LVC1G66GW 165 TSSO	S 702	759551501300	BUCHSE VGA (DSUB15) 48203-9
IC 401	759551497900	IC-SMD NT5TU32M16CG-25C T&R	S 703	759551501400	EURO-AV-BUCHSE CS-102A-EN D
IC 402	759551497900	IC-SMD NT5TU32M16CG-25C T&R	S 705	759551501500	ANSCHL-SMD USB-4P-A/F-SMT Y
IC 404	759551480200	IC-SMD MSD237HFG-LF-SF TFBG	S 801	759551175900	BUCHSE KOPFHOERER STEREO
IC 405	759551502600	IC-SMD R1EX24512	T 302	759551098200	TRANS BC847BPDW1T
IC 408	759551500500	IC-SMD R1EX24032ASAS0A#S0 S	T 701	759551098200	TRANS BC847BPDW1T
IC 501	759551498600	IC-SMD NC7S208P5X SOT353 T&	T 901	759551098300	TRANS BC847BDW1T1
IC 502	759551546000	IC-SMD P15C3861QEX	T 902	759551501600	TRANS-SMD DMP2215L-7 20V 2.
IC 503	759551528800	IC-SMD AP2151WG-7	T 903	759551098300	TRANS BC847BDW1T1
IC 601	759551500700	IC-SMD R1EX24008ASAS0A#S0 S	T 904	759551501700	TRANS-SMD DMN3150L-7 30V 3.
IC 701	759551502800	IC-SMD AP2171WG-7 SOT23-5	T 906	759551098300	TRANS BC847BDW1T1
IC 702	759551500700	IC-SMD R1EX24008ASAS0A#S0 S	T 907	759551407300	TRANS-CHIP PBL54003D SOT457
IC 705	759551544000	IC-SMD TL082LP08R	TU 301	759551501800	TUNER HYBRID TDAG4-D01A DIK
IC 801	759551469200	IC-SMD MAX9736BETJ	X 200	759551547100	QUARZ-CHIP 24.0 MHZ
IC 802	759551480400	IC-SMD TS4881QT DFN8 T&R	X 400	759551469400	QUARZ-CHIP 12MHZ 12PF-30/30
IC 803	759551545000	IC-SMD TL431ASDT SOT23			
IC 901	759551480500	IC-SMD AP7173FNG-7 DFN3030-			
IC 902	759551500900	IC-SMD MP2119DQ-LF-Z QFN10			
IC 903	759551524700	IC-SMD MP2205ADL			
L 201	759551364700	FERRIT CHIP SBY100505T-102Y			
L 202	759551364700	FERRIT CHIP SBY100505T-102Y			
L 203	759551364700	FERRIT CHIP SBY100505T-102Y			
L 204	759551364700	FERRIT CHIP SBY100505T-102Y			
L 303	759551364700	FERRIT CHIP SBY100505T-102Y			
L 305	759550541900	SMD SPULE 1UH K0805			
L 405	759551364700	FERRIT CHIP SBY100505T-102Y			
L 406	759551364700	FERRIT CHIP SBY100505T-102Y			
L 407	759551364700	FERRIT CHIP SBY100505T-102Y			
L 408	759551364700	FERRIT CHIP SBY100505T-102Y			
L 409	759551364700	FERRIT CHIP SBY100505T-102Y			
L 410	759551364700	FERRIT CHIP SBY100505T-102Y			
L 412	759551364700	FERRIT CHIP SBY100505T-102Y			
L 903	759551364700	FERRIT CHIP SBY100505T-102Y			

Es gelten die Vorschriften und Sicherheitshinweise gemäß dem Service Manual "Sicherheit", Mat.-Nummer 720108000001, sowie zusätzlich die eventuell abweichenden, landesspezifischen Vorschriften!



The regulations and safety instructions shall be valid as provided by the "Safety" Service Manual, part number 720108000001, as well as the respective national deviations.

ÄNDERUNGEN VORBEHALTEN / SUBJECT TO ALTERATION

Ersatzteilliste
Spare Parts List

NUR FÜR INTERNEN GEBRAUCH
FOR INTERNAL USE ONLY



1 / 2010

LP-CHASSISMODUL DB
CHASSIS BOARD DB

MATERIAL-NR. / PART NO.: 275991131000

POS. NR. POS. NO.	ABB. FIG.	MATERIAL-NR. PART NUMBER	ANZ. QTY.	BEZEICHNUNG D	DESCRIPTION GB
----------------------	--------------	-----------------------------	--------------	------------------	-------------------

△ 275991131000 LP-CHASSISMODUL DB (JKC) CHASSISBOARD DB (JKC)

POS. NR. POS. NO.	MATERIAL-NR. PART NUMBER	BEZEICHNUNG DESCRIPTION	POS. NR. POS. NO.	MATERIAL-NR. PART NUMBER	BEZEICHNUNG DESCRIPTION
D 901	759551497600	DIODE STKY-SMD PMEG2020EH 2	L 412	759551364700	FERRIT CHIP SBY100505T-102Y
D 902	759551497600	DIODE STKY-SMD PMEG2020EH 2	L 903	759551364700	FERRIT CHIP SBY100505T-102Y
F 301	759551570300	SAW FILTER K9656D SIP5 (AU	L 914	759551364700	FERRIT CHIP SBY100505T-102Y
F 302	759551570400	SAW FILTER K3953D SIP5 (VI	S 501	759551435100	PCMCIA SINGLE BUCHSE KURZ
IC 201	759551500300	IC-SMD MSB1210-LF LQFP48 T&	S 601	759551501100	CONN-SMD HDMI E110001-139 V
IC 301	759551468300	IC-SMD 74LVC1G66GW 165 TSSO	S 602	759551498700	CON.500254-1927 MOLEX HDMI
IC 401	759551497900	IC-SMD NT5TU32M16CG-25C T&R	S 701	759551501200	KOPFHOERERBU. EJ328-3 DIK 3
IC 402	759551497900	IC-SMD NT5TU32M16CG-25C T&R	S 702	759551501300	BUCHSE VGA (DSUB15) 48203-9
IC 404	759551480200	IC-SMD MSD237HFG-LF-SF TFBG	S 703	759551501400	EURO-AV-BUCHSE CS-102A-EN D
IC 405	759551502600	IC-SMD R1EX24512	S 706	759551561500	CONN. USB-001-A HORIZONTAL
IC 408	759551500500	IC-SMD R1EX24032ASAS0A#S0 S	S 801	759551175900	BUCHSE KOPFHOERER STEREO
IC 501	759551498600	IC-SMD NC7S208P5X SOT353 T&	T 302	759551098200	TRANS BC847BPDW1T
IC 502	759551546000	IC-SMD P15C3861QEX	T 701	759551098200	TRANS BC847BPDW1T
IC 503	759551528800	IC-SMD AP2151WG-7	T 901	759551098300	TRANS BC847BDW1T1
IC 601	759551500700	IC-SMD R1EX24008ASAS0A#S0 S	T 902	759551501600	TRANS-SMD DMP2215L-7 20V 2.
IC 602	759551500700	IC-SMD R1EX24008ASAS0A#S0 S	T 903	759551098300	TRANS BC847BDW1T1
IC 701	759551502800	IC-SMD AP2171WG-7 SOT23-5	T 904	759551501700	TRANS-SMD DMN3150L-7 30V 3.
IC 702	759551500700	IC-SMD R1EX24008ASAS0A#S0 S	T 906	759551098300	TRANS BC847BDW1T1
IC 705	759551500800	IC-SMD TL082LP08R	T 907	759551407300	TRANS-CHIP PBL54003D SOT457
IC 801	759551469200	IC-SMD MAX9736BETJ	TU 301	759551561800	TUNER HYB TDAG4-D01A ALPS
IC 802	759551480400	IC-SMD TS4881QT DFN8 T&R	X 200	759551547100	QUARZ-CHIP 24.0 MHZ
IC 803	759551434500	IC-SMD ZTL431AFFTA SOT23F T	X 400	759551469400	QUARZ-CHIP 12MHZ 12PF-30/30
IC 901	759551480500	IC-SMD AP7173FNG-7 DFN3030-			
IC 902	759551500900	IC-SMD MP2119DQ-LF-Z QFN10			
IC 903	759551524700	IC-SMD MP2205ADL			
L 201	759551364700	FERRIT CHIP SBY100505T-102Y			
L 202	759551364700	FERRIT CHIP SBY100505T-102Y			
L 203	759551364700	FERRIT CHIP SBY100505T-102Y			
L 204	759551364700	FERRIT CHIP SBY100505T-102Y			
L 301	759551562300	SMD SPULE 22UH M 0.47A			
L 303	759551364700	FERRIT CHIP SBY100505T-102Y			
L 305	759550541900	SMD SPULE 1UH K0805			
L 405	759551364700	FERRIT CHIP SBY100505T-102Y			
L 406	759551364700	FERRIT CHIP SBY100505T-102Y			
L 407	759551364700	FERRIT CHIP SBY100505T-102Y			
L 408	759551364700	FERRIT CHIP SBY100505T-102Y			
L 409	759551364700	FERRIT CHIP SBY100505T-102Y			
L 410	759551364700	FERRIT CHIP SBY100505T-102Y			
L 412	759551364700	FERRIT CHIP SBY100505T-102Y			
L 410	759551364700	FERRIT CHIP SBY100505T-102Y			

Es gelten die Vorschriften und Sicherheitshinweise gemäß dem Service Manual "Sicherheit", Mat.-Nummer 720108000001, sowie zusätzlich die eventuell abweichenden, landesspezifischen Vorschriften!



The regulations and safety instructions shall be valid as provided by the "Safety" Service Manual, part number 720108000001, as well as the respective national deviations.

ÄNDERUNGEN VORBEHALTEN / SUBJECT TO ALTERATION

LP-CHASSISMODUL DB
CHASSIS BOARD DB

MATERIAL-NR. / PART NO.: 275991143100

POS. NR. ABB. POS. NO. FIG.	MATERIAL-NR. PART NUMBER	ANZ. QTY.	BEZEICHNUNG (D)	DESCRIPTION (GB)
--------------------------------	-----------------------------	--------------	--------------------	---------------------

△	275991143100		LP-CHASSISMODUL DB (B9F)	CHASSIS BOARD DB (B9F)
---	--------------	--	--------------------------	------------------------

POS. NR. POS. NO.	MATERIAL-NR. PART NUMBER	BEZEICHNUNG DESCRIPTION	POS. NR. POS. NO.	MATERIAL-NR. PART NUMBER	BEZEICHNUNG DESCRIPTION
D 901	759551497600	DIODE STKY-SMD PMEG2020EH 2	L 801	759551606700	FERRITE BEAD-CHIP 120R/3A/1
D 902	759551497600	DIODE STKY-SMD PMEG2020EH 2	L 802	759551606700	FERRITE BEAD-CHIP 120R/3A/1
F 301	759551570300	SAW FILTER K9656D SIP5D (AU)	L 805	759551606700	FERRITE BEAD-CHIP 120R/3A/1
F 302	759551570400	SAW FILTER K3953D SIP5D (VI)	L 806	759551606700	FERRITE BEAD-CHIP 120R/3A/1
IC 201	759551500300	IC-SMD MSB1210-LF LQFP48 T&	L 807	759551606700	FERRITE BEAD-CHIP 120R/3A/1
IC 301	759551468300	IC-SMD 74LVC1G66GW 165 TSSO	L 902	759551606700	FERRITE BEAD-CHIP 120R/3A/1
IC 401	759551497900	IC-SMD NT5TU32M16CG-25C T&R	L 903	759551364700	FERRIT CHIP SBY100505T-102Y
IC 402	759551497900	IC-SMD NT5TU32M16CG-25C T&R	L 904	759551606700	FERRITE BEAD-CHIP 120R/3A/1
IC 404	759551480200	IC-SMD MSD237HFG-LF-SF TFBG	L 906	759551606700	FERRITE BEAD-CHIP 120R/3A/1
IC 405	759551502600	IC-SMD R1EX24512	L 910	759551606700	FERRITE BEAD-CHIP 120R/3A/1
IC 408	759551500500	IC-SMD R1EX24032ASAS0A#S0 S	L 911	759551606700	FERRITE BEAD-CHIP 120R/3A/1
IC 501	759551498600	IC-SMD NC7SZ08P5X SOT353 T&	L 914	759551364700	FERRIT CHIP SBY100505T-102Y
IC 502	759551480300	IC-SMD SN74CBTD3861PWR TSSO	L 917	759551606700	FERRITE BEAD-CHIP 120R/3A/1
IC 503	759551528800	IC-SMD AP2151WG-7	S 501	759551435100	PCMCIA SINGLE BUCHSE KURZ
IC 601	759551500700	IC-SMD R1EX24008ASAS0A#S0 S	S 601	759551501100	CONN-SMD HDMI E110001-139 V
IC 602	759551500700	IC-SMD R1EX24008ASAS0A#S0 S	S 602	759551498700	CON.500254-1927 MOLEX HDMI
IC 701	759551502800	IC-SMD AP2171WG-7 SOT23-5	S 701	759551501200	KOPFHOERERBU. E.J328-3 DIK 3
IC 702	759551500700	IC-SMD R1EX24008ASAS0A#S0 S	S 702	759551501300	BUCHSE VGA (DSUB15) 48203-9
IC 705	759551500800	IC-SMD TL082P1PWR TSSOP8 T&R	S 703	759551501400	EURO-AV-BUCHSE CS-102A-EN D
IC 801	759551469200	IC-SMD MAX9736BETJ	S 706	759551561500	CONN. USB-001-A HORIZONTAL
IC 802	759551480400	IC-SMD TS4881QT DFN8 T&R	S 801	759551175900	BUCHSE KOPFHOERER STEREO
IC 803	759551434500	IC-SMD ZTL431AFFTA SOT23F T	T 302	759551098200	TRANS BC847BPDW1T
IC 901	759551480500	IC-SMD AP7173FNG-7 DFN3030-	T 701	759551098200	TRANS BC847BPDW1T
IC 902	759551500900	IC-SMD MP2119DQ-LF-Z QFN10	T 901	759551098300	TRANS BC847BDW1T1
IC 903	759551524700	IC-SMD MP2205ADL	T 902	759551501600	TRANS-SMD DMP2215L-7 20V 2.
L 201	759551364700	FERRIT CHIP SBY100505T-102Y	T 903	759551098300	TRANS BC847BDW1T1
L 202	759551364700	FERRIT CHIP SBY100505T-102Y	T 904	759551501700	TRANS-SMD DMN3150L-7 30V 3.
L 203	759551364700	FERRIT CHIP SBY100505T-102Y	T 906	759551098300	TRANS BC847BDW1T1
L 204	759551364700	FERRIT CHIP SBY100505T-102Y	T 907	759551407300	TRANS-CHIP PBL54003D SOT457
L 301	759551562300	SMD SPULE 22UH M 0.47A	TU 301	759551561800	TUNER HYB TDAG4-D01A ALPS
L 303	759551364700	FERRIT CHIP SBY100505T-102Y	X 200	759551547100	QUARZ-CHIP 24.0 MHZ
L 305	759550541900	SMD SPULE 1UH K0805	X 400	759551469400	QUARZ-CHIP 12MHZ 12PF-30/30
L 405	759551364700	FERRIT CHIP SBY100505T-102Y			
L 406	759551364700	FERRIT CHIP SBY100505T-102Y			
L 407	759551364700	FERRIT CHIP SBY100505T-102Y			
L 408	759551364700	FERRIT CHIP SBY100505T-102Y			
L 409	759551364700	FERRIT CHIP SBY100505T-102Y			
L 410	759551364700	FERRIT CHIP SBY100505T-102Y			
L 412	759551364700	FERRIT CHIP SBY100505T-102Y			

Es gelten die Vorschriften und Sicherheitshinweise gemäß dem Service Manual "Sicherheit", Mat.-Nummer 720108000001, sowie zusätzlich die eventuell abweichenden, landesspezifischen Vorschriften!



The regulations and safety instructions shall be valid as provided by the "Safety" Service Manual, part number 720108000001, as well as the respective national deviations.

ÄNDERUNGEN VORBEHALTEN / SUBJECT TO ALTERATION