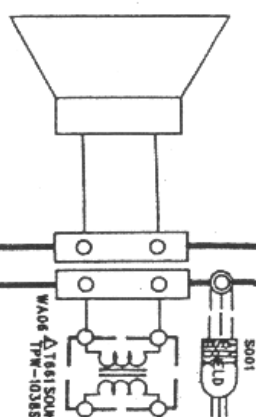


1661
EAKER



AUDIO OUT TRANS

R806 2W 150

R808 1W 12K

R809 W 240K

R801 L&K

C910 W 330u

C911 10u

C912 10u

C913 10u

C914 10u

C915 10u

C916 10u

C917 10u

C918 10u

C919 10u

C920 10u

C921 10u

C922 10u

C923 10u

C924 10u

C925 10u

C926 10u

C927 10u

C928 10u

C929 10u

C930 10u

C931 10u

C932 10u

C933 10u

C934 10u

C935 10u

C936 10u

C937 10u

C938 10u

C939 10u

C940 10u

C941 10u

C942 10u

C943 10u

C944 10u

C945 10u

C946 10u

C947 10u

C948 10u

C949 10u

C950 10u

C951 10u

C952 10u

C953 10u

C954 10u

C955 10u

C956 10u

C957 10u

C958 10u

C959 10u

C960 10u

C961 10u

C962 10u

C963 10u

C964 10u

C965 10u

C966 10u

C967 10u

C968 10u

C969 10u

C970 10u

C971 10u

C972 10u

C973 10u

C974 10u

C975 10u

C976 10u

C977 10u

C978 10u

C979 10u

C980 10u

C981 10u

C982 10u

C983 10u

C984 10u

C985 10u

C986 10u

C987 10u

C988 10u

C989 10u

C990 10u

C991 10u

C992 10u

C993 10u

C994 10u

C995 10u

C996 10u

C997 10u

C998 10u

C999 10u

C1000 10u

C1001 10u

C1002 10u

C1003 10u

C1004 10u

C1005 10u

C1006 10u

C1007 10u

C1008 10u

C1009 10u

C1010 10u

C1011 10u

C1012 10u

C1013 10u

C1014 10u

C1015 10u

C1016 10u

C1017 10u

C1018 10u

C1019 10u

C1020 10u

C1021 10u

C1022 10u

C1023 10u

C1024 10u

C1025 10u

C1026 10u

C1027 10u

C1028 10u

C1029 10u

C1030 10u

C1031 10u

C1032 10u

C1033 10u

C1034 10u

C1035 10u

C1036 10u

C1037 10u

C1038 10u

C1039 10u

C1040 10u

C1041 10u

C1042 10u

C1043 10u

C1044 10u

C1045 10u

C1046 10u

C1047 10u

C1048 10u

C1049 10u

C1050 10u

C1051 10u

C1052 10u

C1053 10u

C1054 10u

C1055 10u

C1056 10u

C1057 10u

C1058 10u

C1059 10u

C1060 10u

C1061 10u

C1062 10u

C1063 10u

C1064 10u

C1065 10u

C1066 10u

C1067 10u

C1068 10u

C1069 10u

C1070 10u

C1071 10u

C1072 10u

C1073 10u

C1074 10u

C1075 10u

C1076 10u

C1077 10u

C1078 10u

C1079 10u

C1080 10u

WA08 TPW-10385 180V 4.7 U

C814 180V35V

C815 4.7 U

C816 4.7 U

C817 4.7 U

C818 4.7 U

C819 4.7 U

C820 4.7 U

C821 4.7 U

C822 4.7 U

C823 4.7 U

K910



POWER

ST/MEMORY

CH UP

SB:ANA SEL

CH DN

SB:ANA/UP

VOL UP

S10:ANA/DN

VOL DN

S10:SRCH SKIP

TV/CATV S12:TV/AV

S11

S12

S13

S14

S15

S16

S17

S18

S19

S20

S21

S22

S23

S24

S25

S26

S27

S28

S29

S30

S31

S32

S33

S34

S35

S36

S37

S38

S39

S40

S41

S42

S43

S44

S45

S46

S47

S48

S49

S50

S51

S52

S53

S54

S55

S56

S57

S58

S59

S60

S61

S62

S63

S64

S65

S66

S67

S68

S69

S70

S71

S72

S73

S74

S75

S76

S77

S78

S79

S80

S81

S82

S83

S84

S85

S86

S87

S88

S89

S90

S91

S92

S93

S94

S95

S96

S97

S98

S99

S100

S101

S102

S103

S104

S105

S106

S107

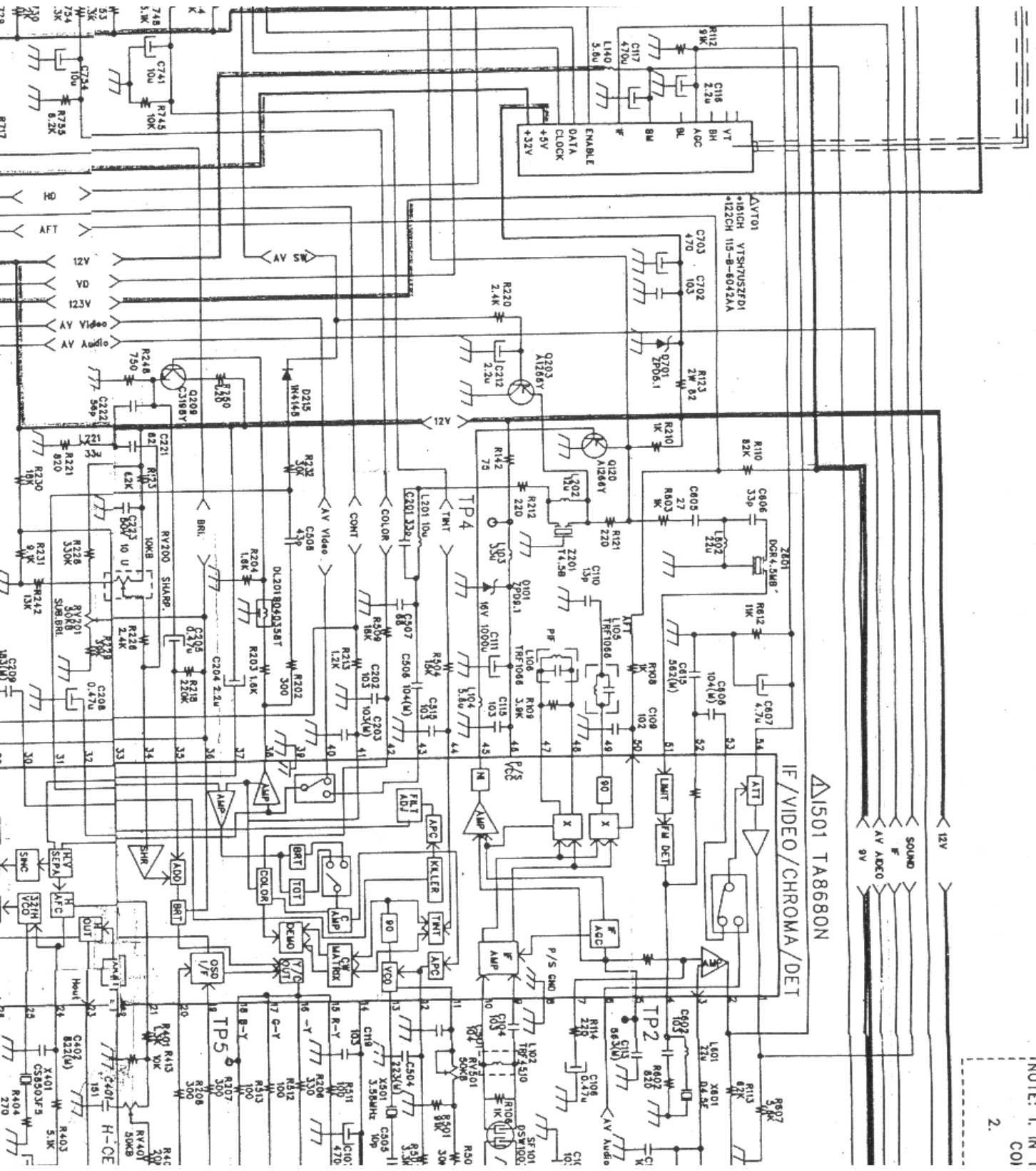
S108

S109

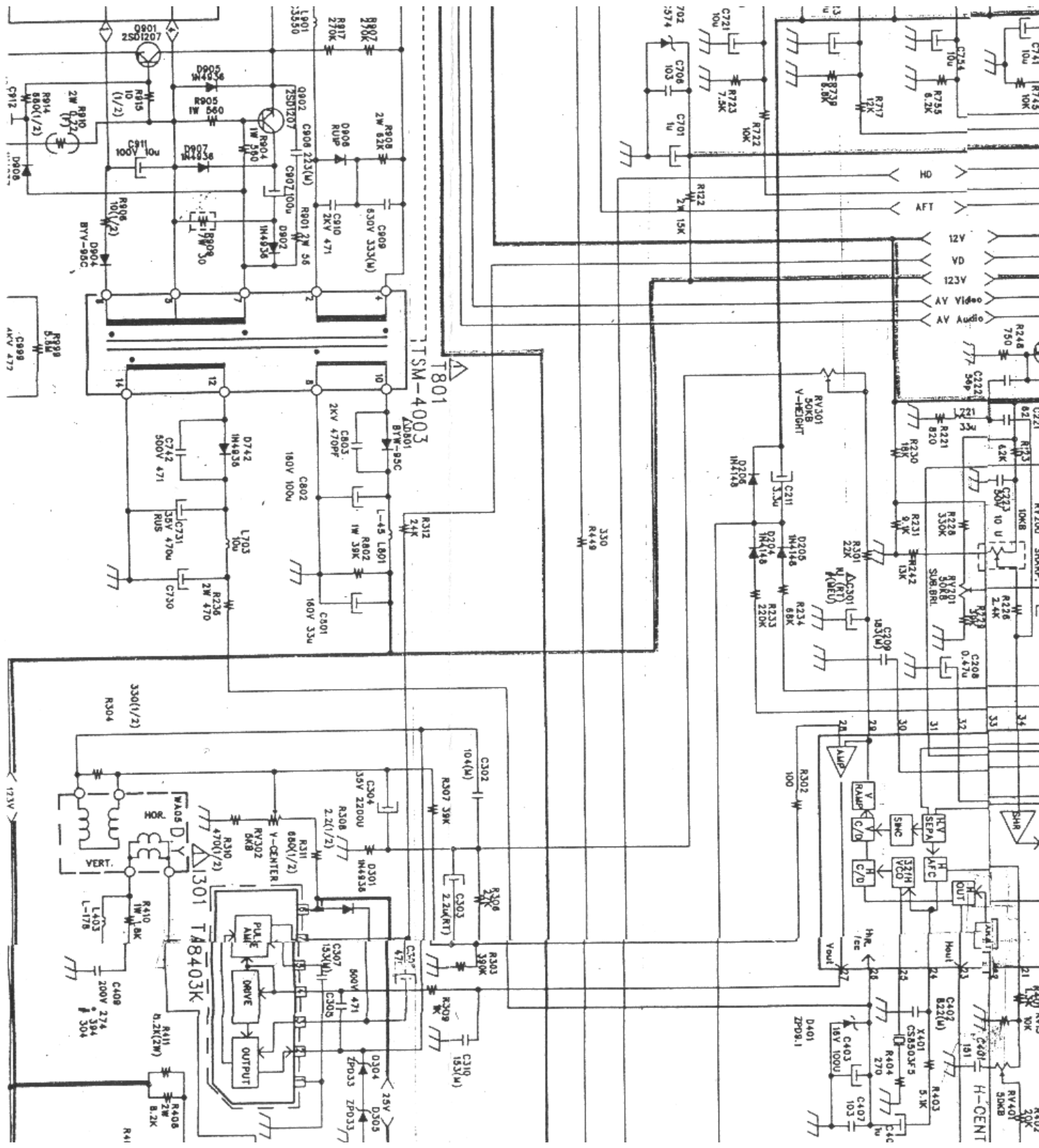
S110

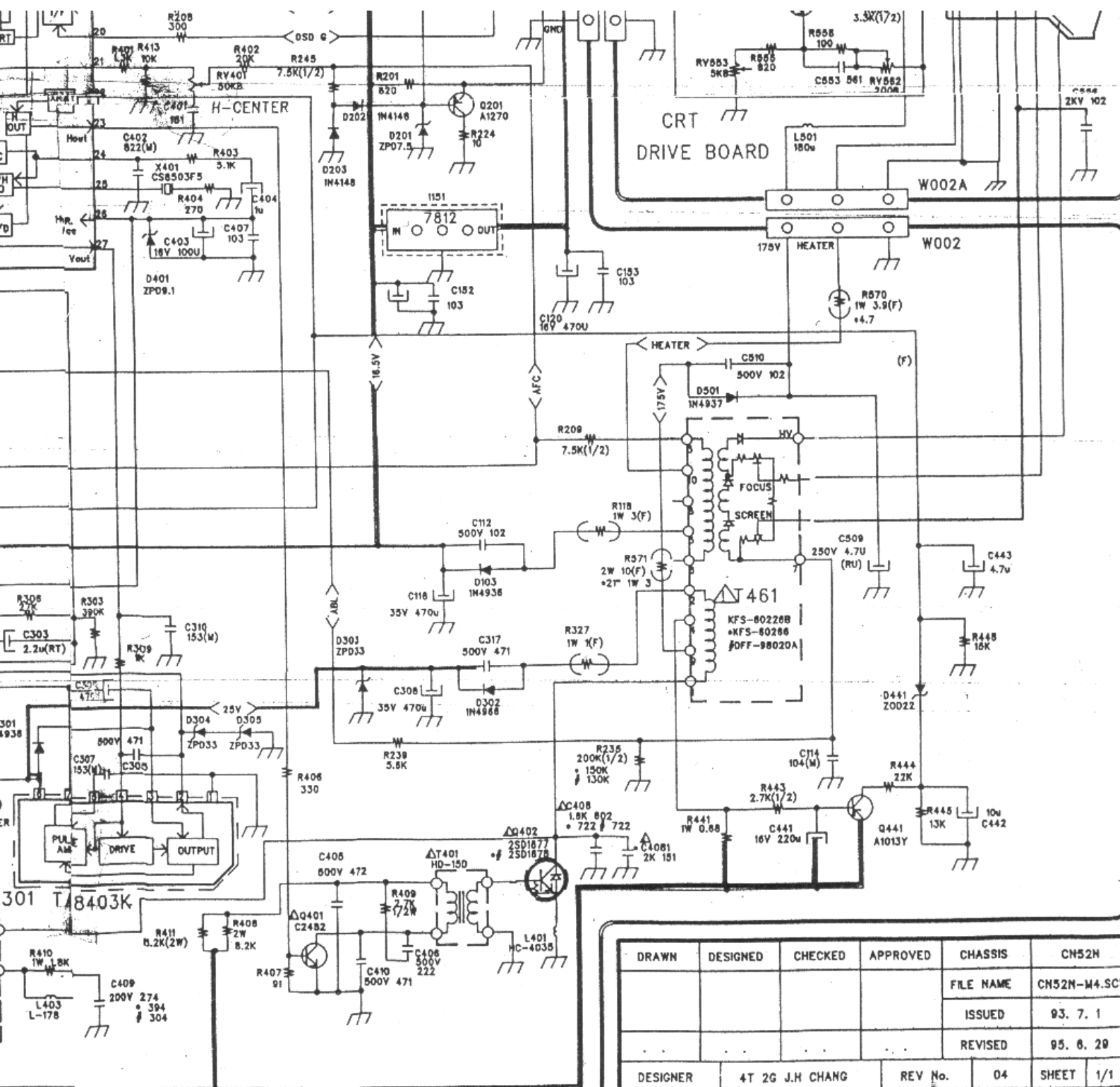
S111

GRAMM CHASSIS NO. CIN



NOTE: 1. IN 1
CO
2.





DRAWN	DESIGNED	CHECKED	APPROVED	CHASSIS	CN52N
				FILE NAME	CN52N-M4.SC
				ISSUED	93. 7. 1
				REVISED	95. 6. 29
DESIGNER	4T 2G J.H. CHANG	REV No.	04	SHEET	1/1

Service Manual

Colour Television

CHASSIS: NO. : CN-52N
NTSC-M SYSTEM

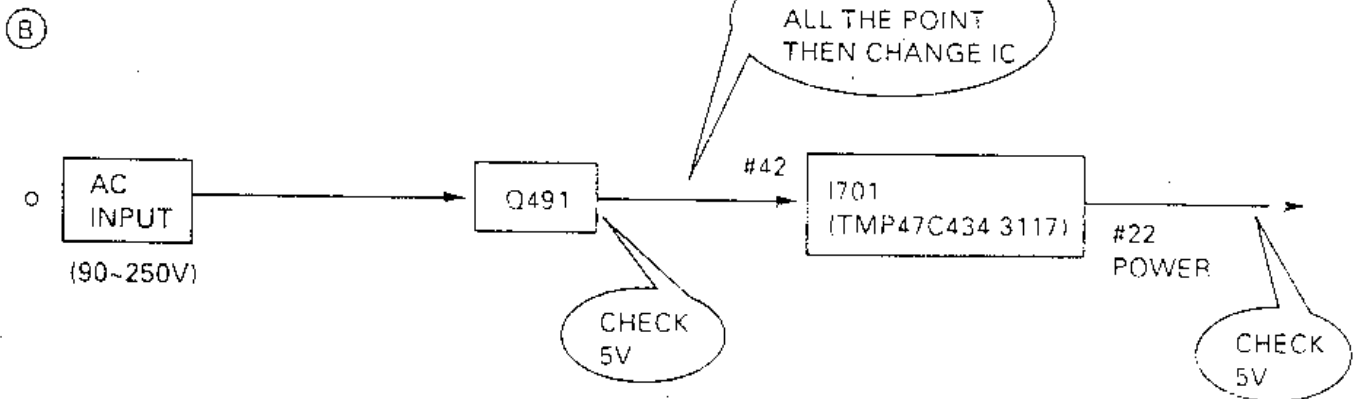
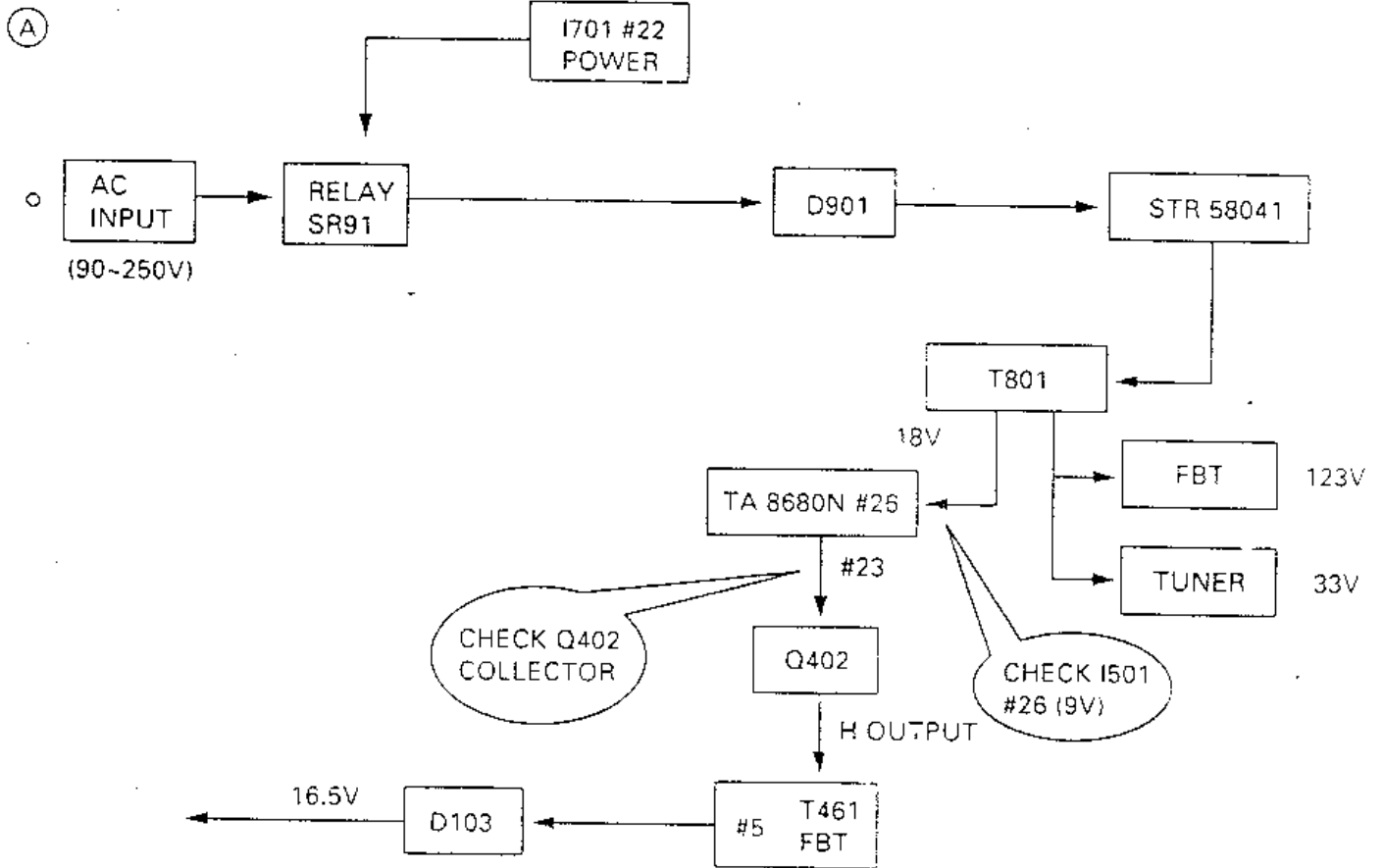
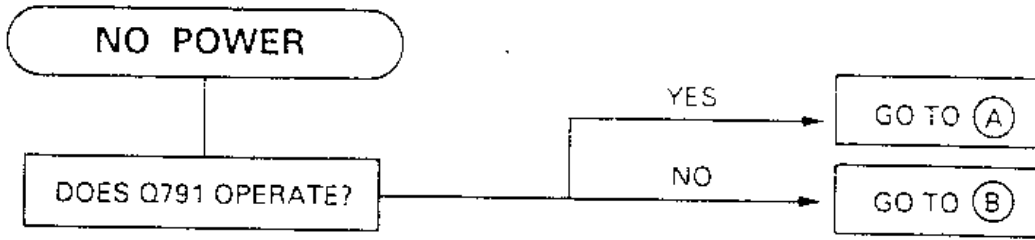
MODEL : DTQ-1427/2027FS
DTQ-1451/2051FS
DTQ-1456/2056FS
DTQ-1458/2058FS
DTQ-1459/2059FS
DTQ-2127FS



DAEWOO ELECTRONICS CO., LTD.

DAEWOO

■ TROUBLE SHOOTING CHARTS



NO PICTURE

CHECK THE WAVE FORM OF I501 #38

OK

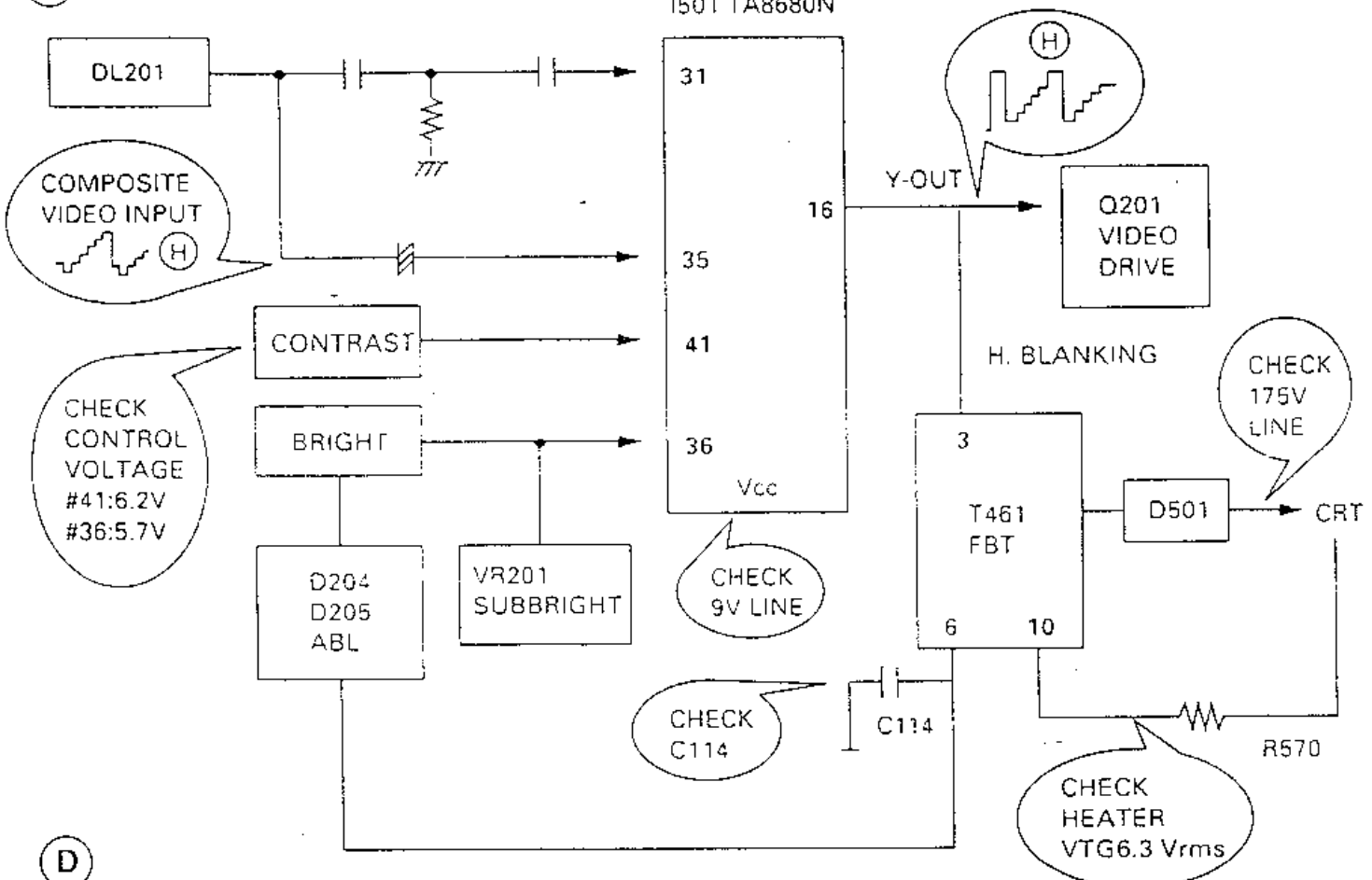
GO TO (C)

NG

GO TO (D)

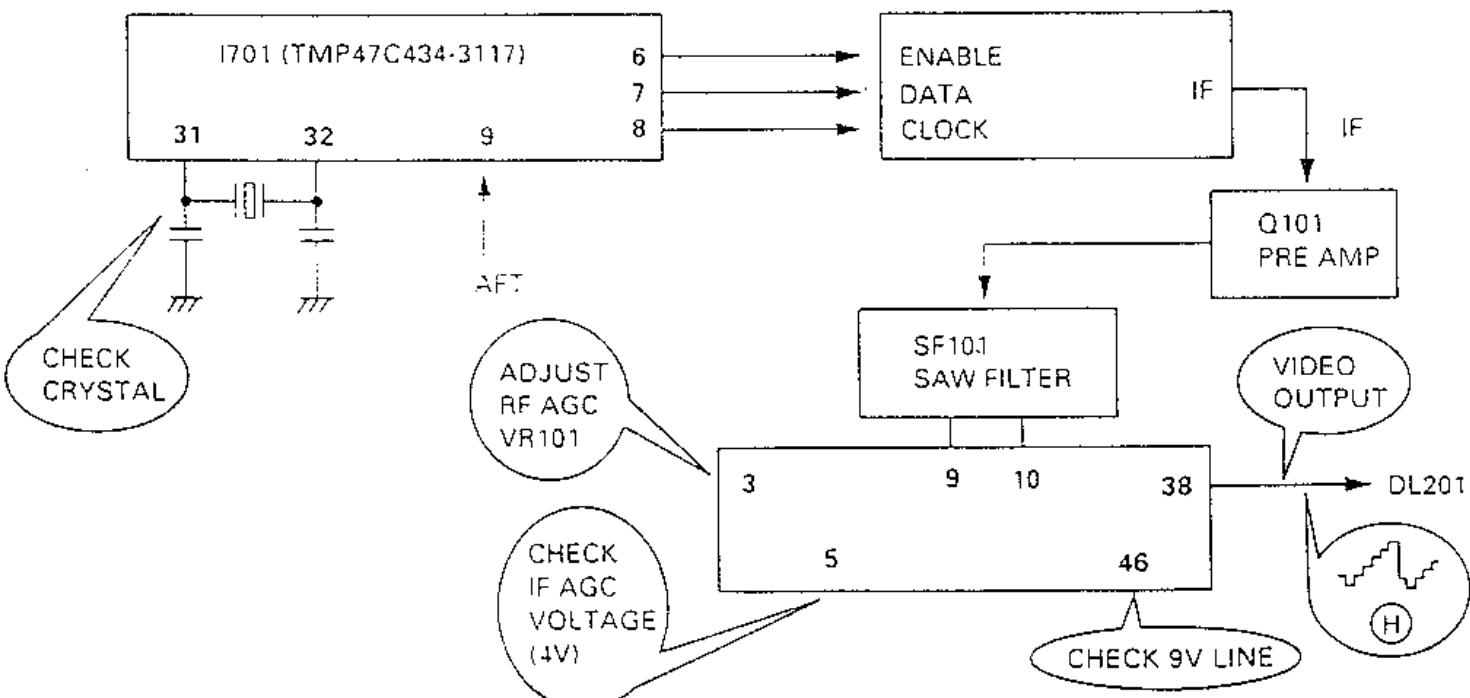
(C)

I501 TA8680N



(D)

VT01 TUNER



NO SOUND

ARE THE ANY SIGNAL
I501 #53

YES

GO TO (F)

NO

GO TO (G)

(F)

I501 TA8680N

53

SOUND OUTPUT

IF #54 IS OK
& NO OUTPUT
THEN CHANGE
I501

SOUND VOLUME
MAX: 4.5V
MIN: 0.6V

54

1

Q601, Q602
AMP

T661
TSP1038

W661
SPEAKER

CHECK R606
& 123V LINE

5V

CONTROL
KEY
VOL UP
DOWN

I701
TMP47C434
-3117

1

Q760, Q761

(G)

AUDIO
IN

777

CHECK
9V

53

AUDIO OUT

52

46

45

I501
TA8680N

51

X601

IF NO
OUTPUT
THEN
CHANGE
I501

CHECK
DET. CIRCUIT

CF601

NO COLOR

CHECK 9V

MAX 4.5V

TINT

44

11

ADJUST VR501 VCO

COLOR

42

12

APC FILTER

MAX 6V

COMPOSITE VIDEO SIGNAL

31

X501

13

CHECK CRYSTAL

CHECK 9V

14

R-Y

15

Q551
Q552
Q553

R

G

B

17

G-Y

18

B-Y

CHECK KILLER FILTER IF THEN DC NORMAL

30

16

LUMINANCE (-Y)

175V LINE

CHECK SW501 SWITCH

VERTICAL LINE

I501 TA8680N

14

CHECK 9V

27

CHECK V DRIVE

I301 TA8403K

4

29

VR301 V. HEIGHT

CHECK 25V

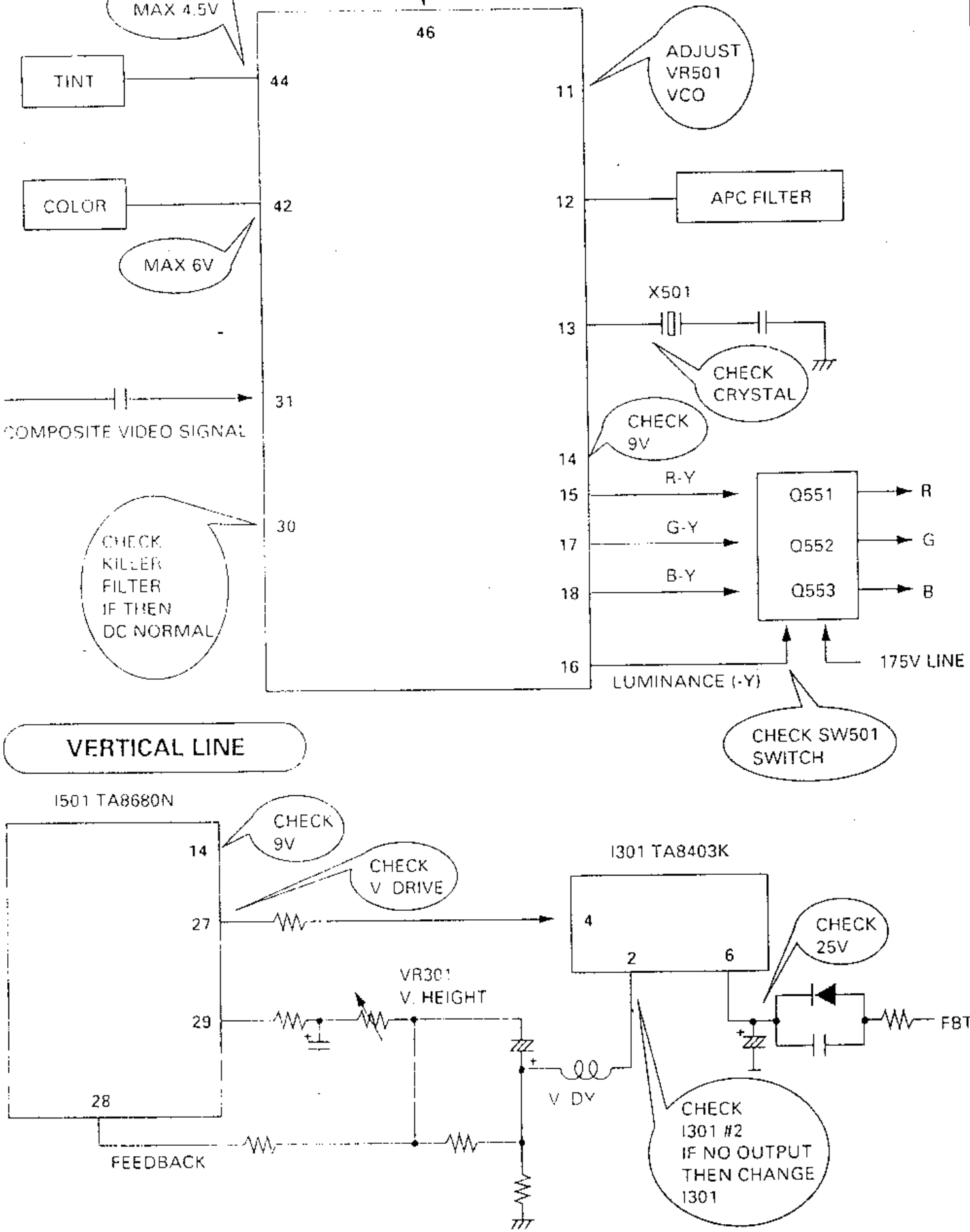
28

FEEDBACK

V DV

CHECK I301 #2 IF NO OUTPUT THEN CHANGE I301

FBT



CH DON'T STOP

CHECK INPUT SIGNAL
CONDITON

GOOD

GO TO (G)

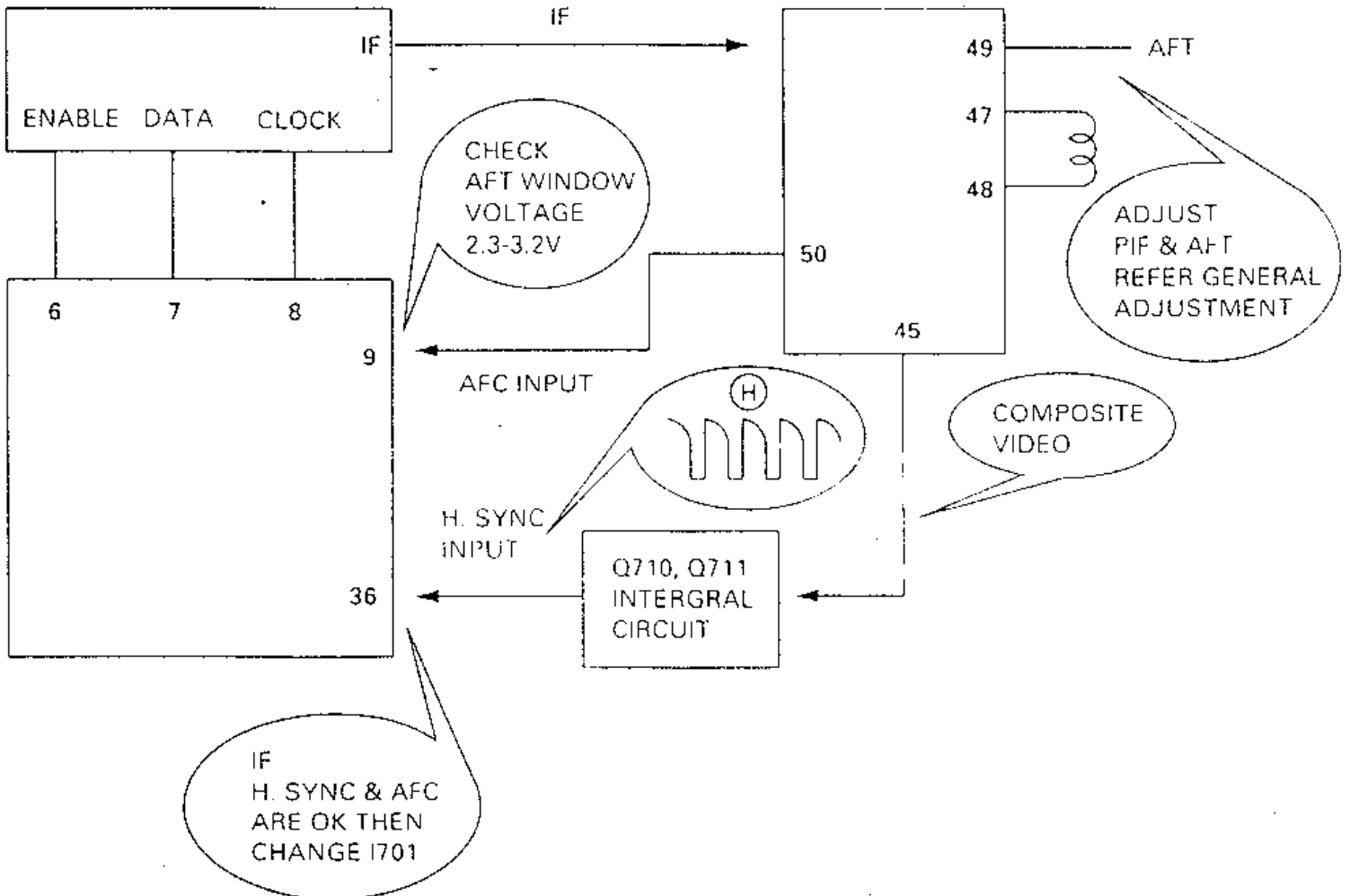
BAD

IT'S BECAUSE OF SIGNAL
CONDITON

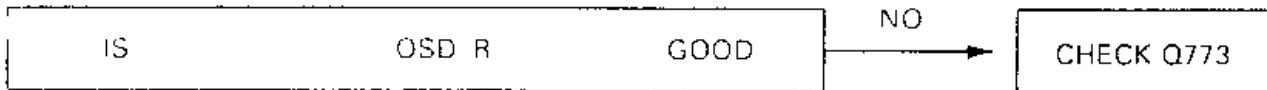
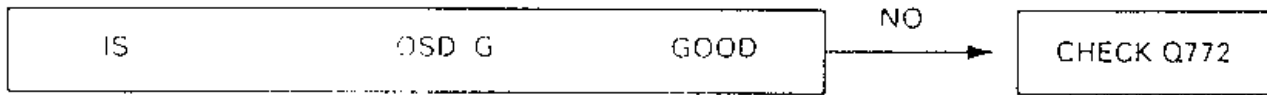
(G)

VT01 TUNER

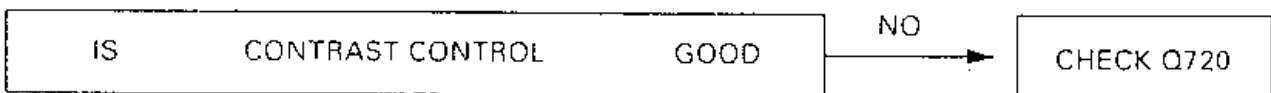
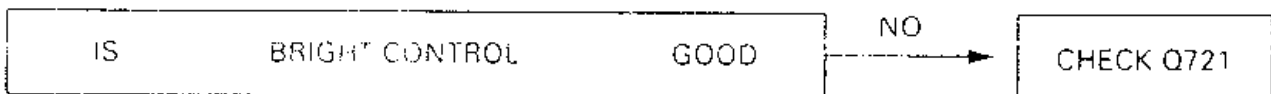
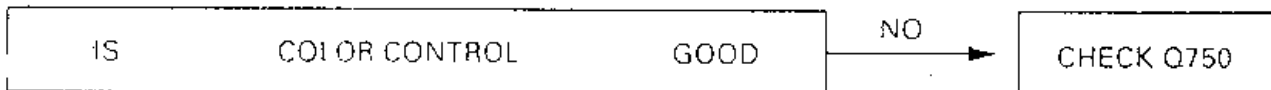
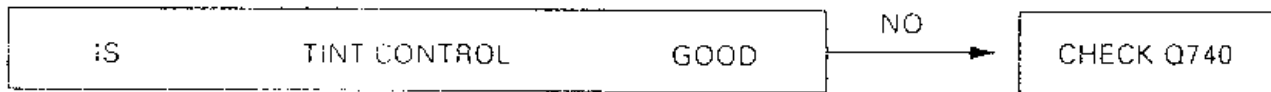
I501 TA8680N



ON SCREEN DISPLAY DOES NOT OPERATE



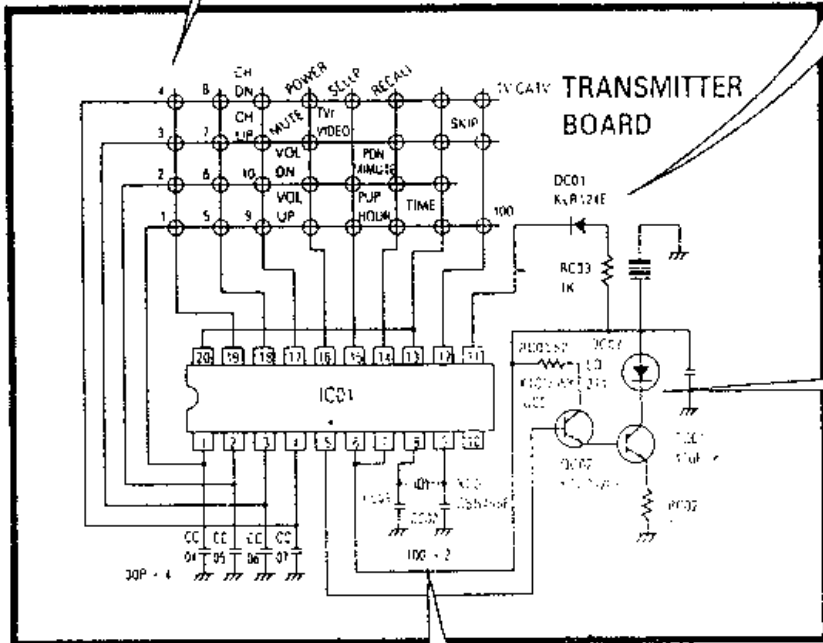
PICTURE CONTROL DOES NOT OPERATE



REMOTE CONTROL DOES NOT OPERATE

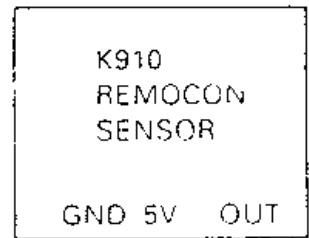
CHECK CARBON CONTACT

IF LED DOES NOT OPERATE CHANGE BATTERY



CHECK INFRARED LED

CHECK CERA RESONATOR



CHECK LINE DC5V

CHECK WAVE-FORM

5V

