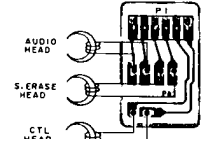


NOTE:
UNLESS OTHERWISE SPECIFIED
ALL RESISTORS IN OHMS
ALL ELECTROLYTIC CAPACITORS IN μ F/50V

— 8 POWER SUPPLY LINE

INDICATED VOLTAGES WERE
MEASURED DURING PB MODE
(TAPE USED-PAL RECORDED
TAPE)

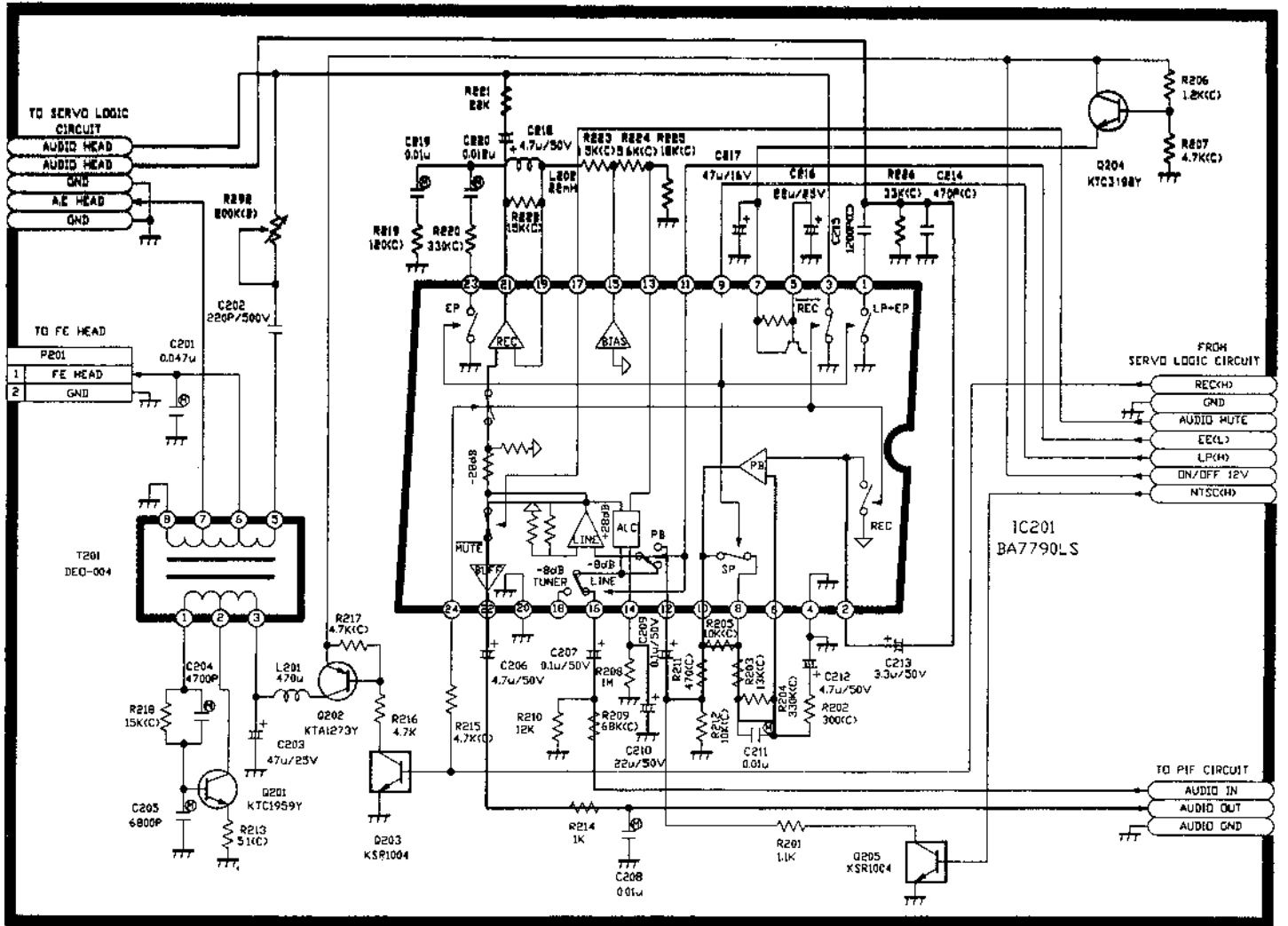
VS-P150EM/
VS-R150EM/
CONNECTION
SCHEMATIC (1)
No. 1



LINEAR AUDIO CIRCUIT

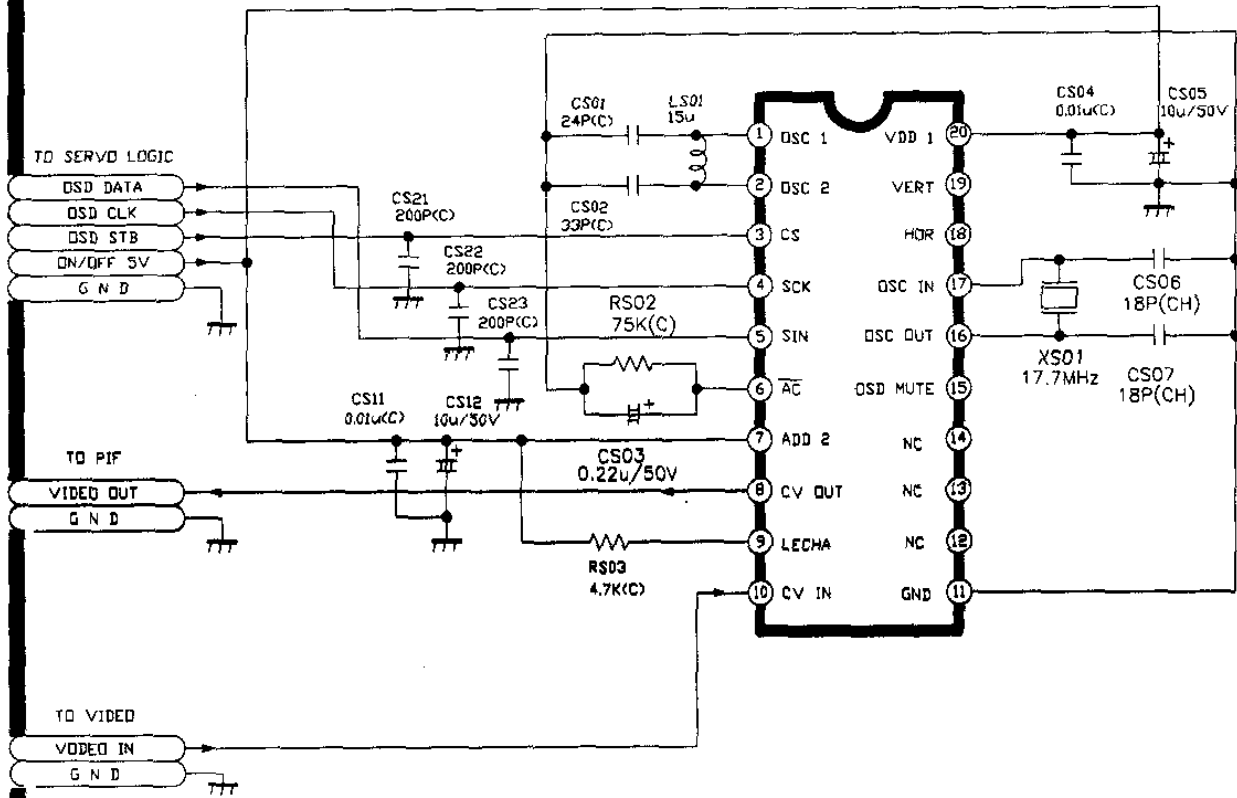
— REC AUDIO SIGNAL —

— PB AUDIO SIGNAL —

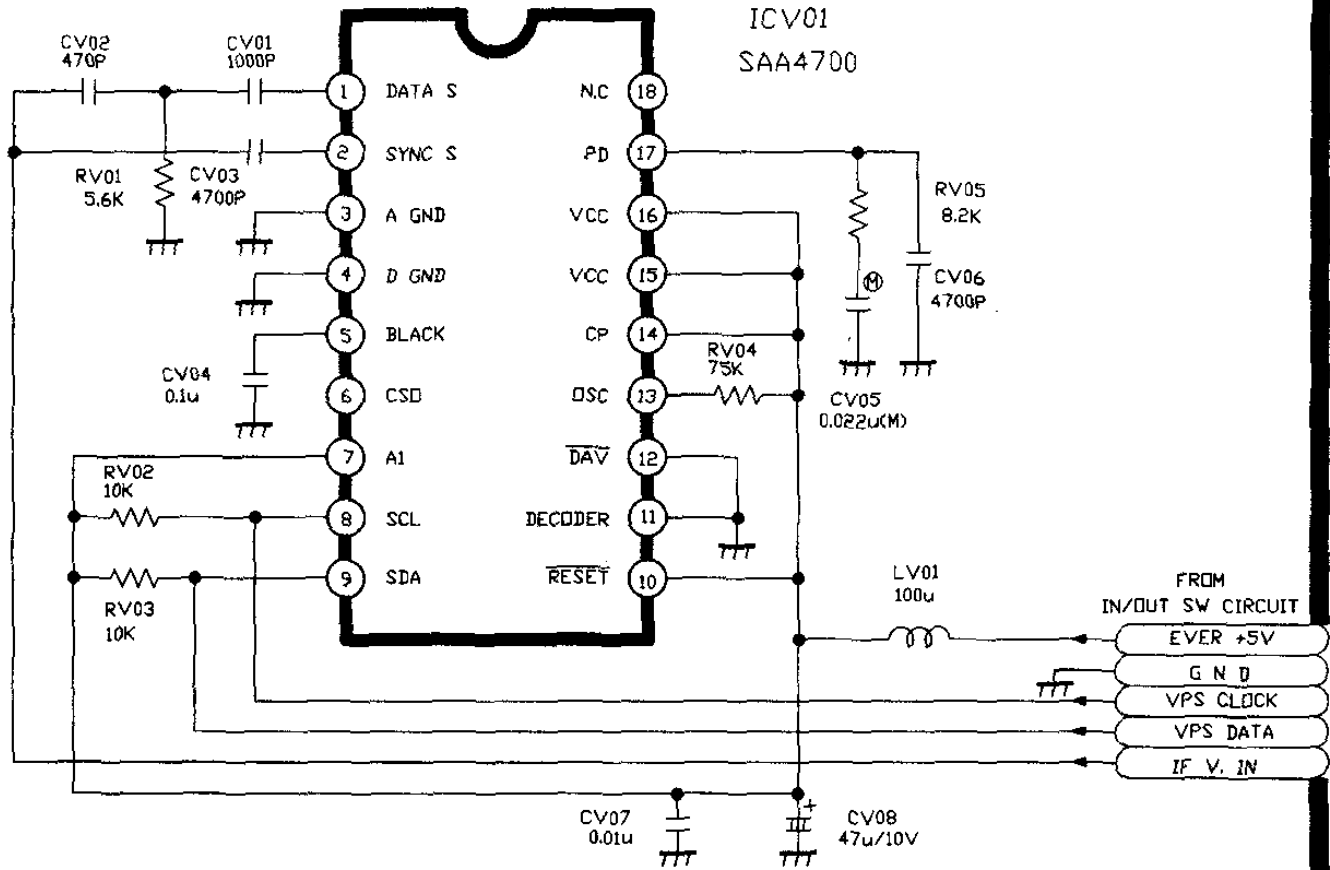


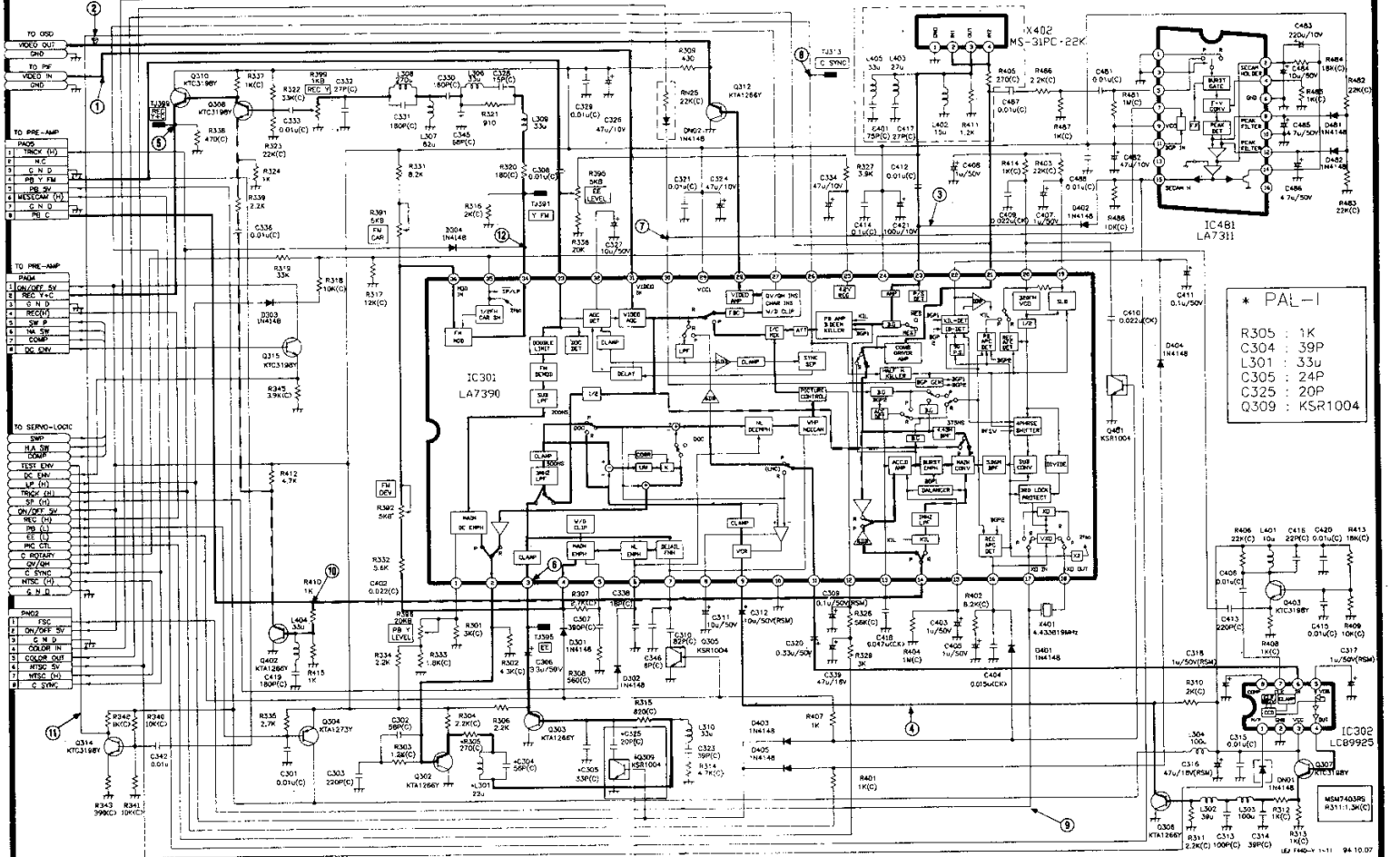
OSD CIRCUIT

ICS01
168K88E6ML

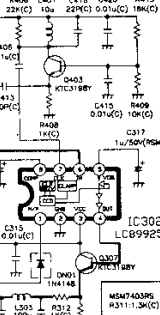


VPS CIRCUIT

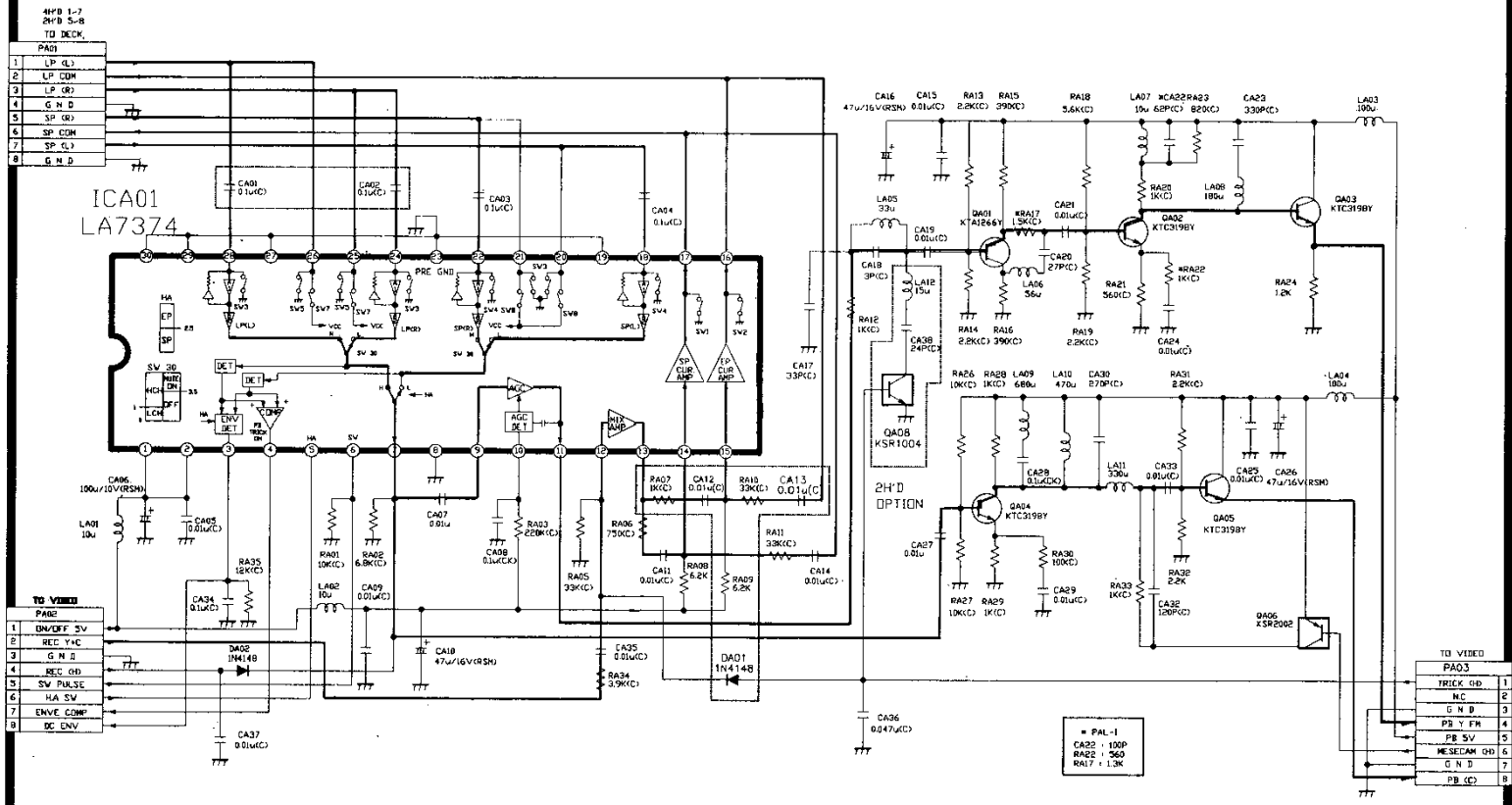


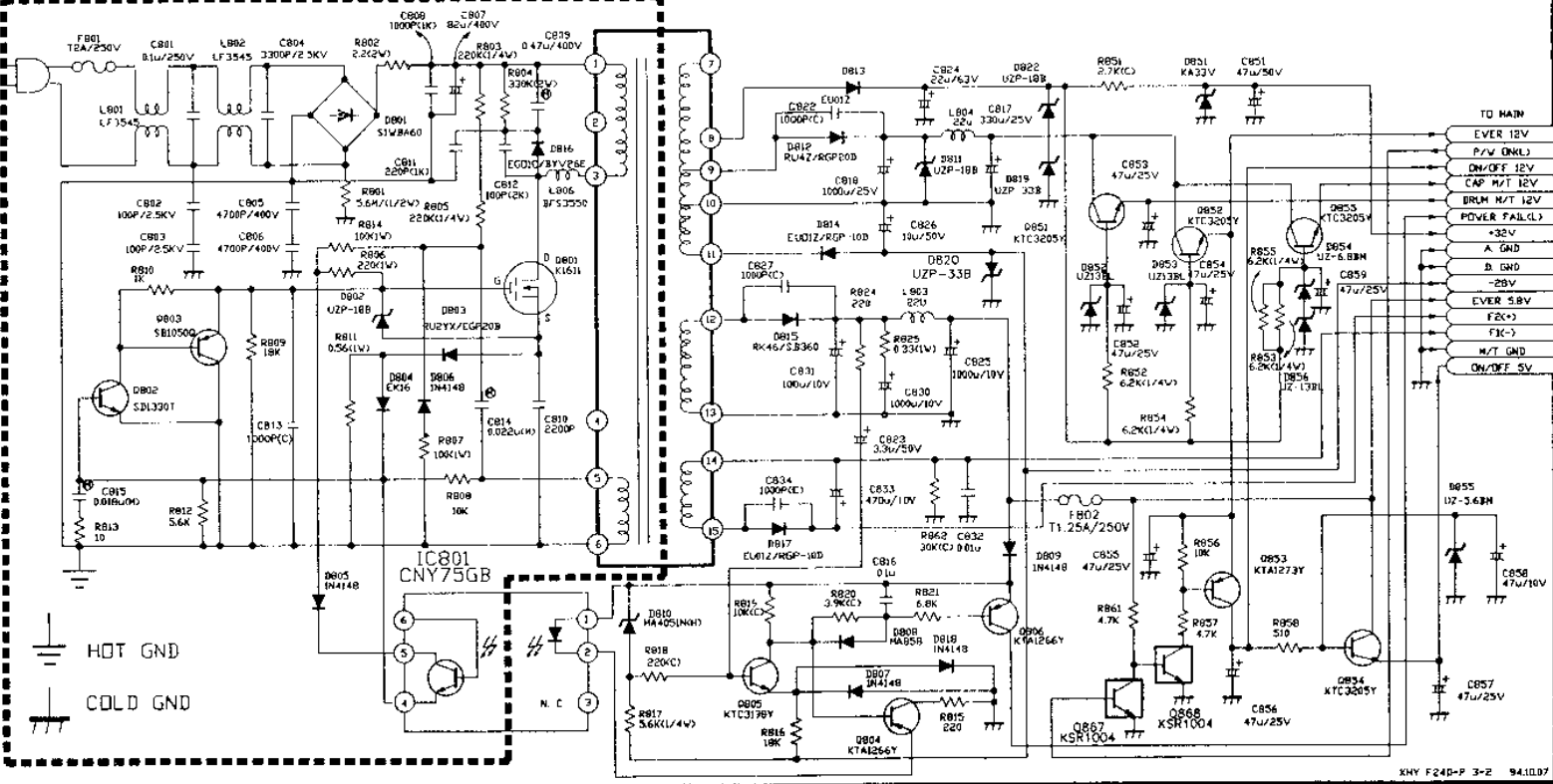


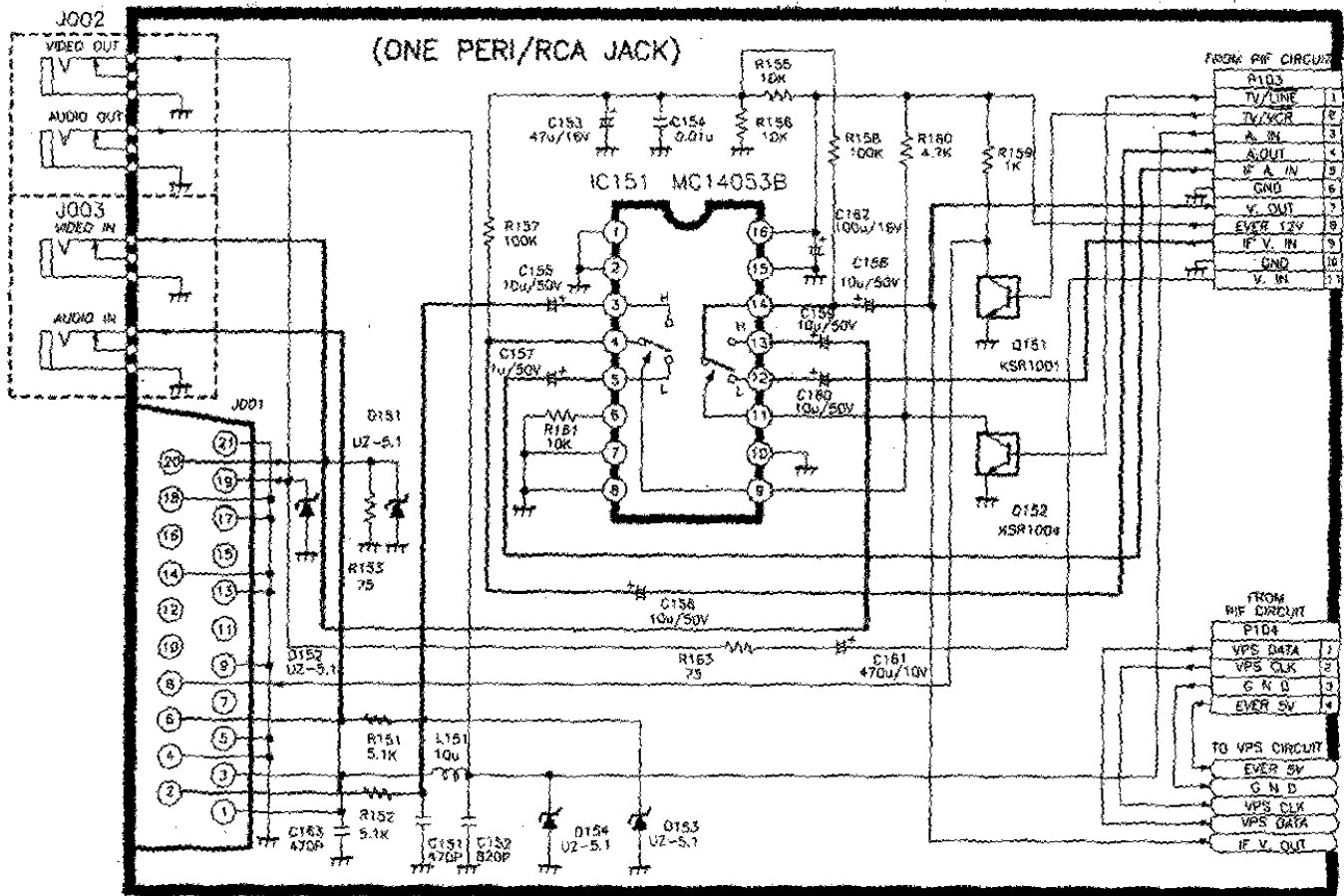
- * PAL-1
- R305 : 1K
 - C304 : 39P
 - L301 : 33u
 - C305 : 24P
 - C325 : 20P
 - C309 : KSR1004



IC302 LC89925







IN/OUT SW CIRCUIT 1
REC AUDIO SIGNAL
REC VIDEO SIGNAL

FROM RIF CIRCUIT

R103	1
TV/LINE	2
TV/XCR	3
A. IN	4
S. OUT	5
P. A. IN	6
GND	7
V. OUT	8
EVER 12V	9
IF V. IN	10
GND	11
V. IN	12

FROM RIF CIRCUIT

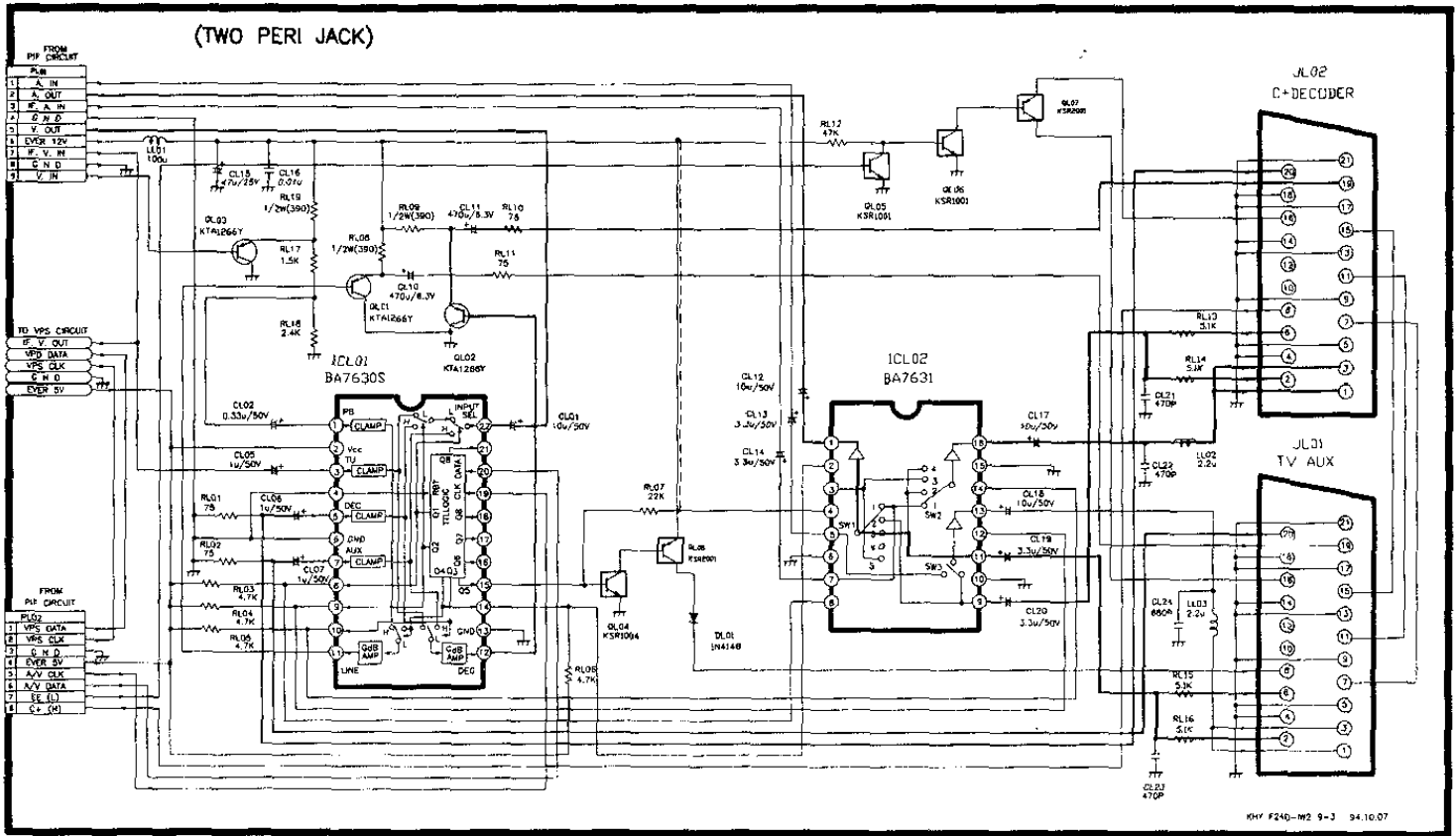
P104	1
VPS DATA	2
VPS CLK	3
G. N. D.	4
EVER 5V	5

TO VPS CIRCUIT

EVER 5V	1
G. N. D.	2
VPS CLK	3
VPS DATA	4
IF V. OUT	5

IN/OUT SW CIRCUIT II

— REC AUDIO SIGNAL
 — REC VIDEO SIGNAL



LOGIC CIRCUIT

