

| ZONE | | REVISION | | DATE | APPROVED |
|------|----------------|------------------|------------|--------------|----------|
| LTR | DESCRIPTION | | | | |
| | ECN NO.1010036 | 710-12120-01->02 | 11/19/2001 | Stanley Tsai | |
| | ECN NO.1010060 | 710-12120-02->03 | 03/16/2001 | Stanley Tsai | |
| | ECN NO.1010093 | 710-12120-03->04 | 05/16/2001 | Stanley Tsai | |
| | ECN NO.1010093 | 710-12120-03->04 | 05/16/2001 | Stanley Tsai | |
| | ECN NO.1010100 | 710-12120-04->05 | 05/30/2001 | Stanley Tsai | |
| | ECN NO.1010115 | 710-12120-05->06 | 06/08/2001 | Stanley Tsai | |
| | ECN NO.1010134 | 710-12120-06->07 | 07/10/2001 | Stanley Tsai | |
| | ECN NO.1010134 | 710-12120-07->08 | 07/10/2001 | Stanley Tsai | |
| | ECN NO.1010142 | 710-12120-08->09 | 08/01/2001 | Stanley Tsai | |
| | ECN NO.1010147 | | 08/08/2001 | Stanley Tsai | |
| | ECN NO.1010185 | 710-12120-09->10 | 12/04/2001 | Stanley Tsai | |
| | ECN NO.1020003 | 710-12120-10->11 | 01/18/2002 | Stanley Tsai | |
| | ECN NO.1020107 | 710-12120-11->12 | 10/18/2002 | Randy Chiu | |
| | ECN NO.1020126 | 710-12120-12->13 | 11/21/2002 | Randy Chiu | |
| | ECN NO.1030004 | 710-12120-13->14 | 02/19/2003 | Randy Chiu | |

| | | |
|---------------|--|------------------|
| MATERIAL | DESIGNER: Wei-Ban Chou | DATE: 07/15/2003 |
| FINISH | CHECKED: Andy | DATE: 07/15/2003 |
| | APPROVED: Randy Chiu | DATE: 07/15/2003 |
| | 710- 12120-17 | |
| | 098- 12120-01 | |
| | PROPERTY OF POWERWARE CORPORATION NOT TO BE USED FOR MANUFACTURING PURPOSES WITHOUT WRITTEN CONSENT OF POWERWARE | |
| CODE IDENT NO | SCALE | SHEET 1 OF 2 |

POWERWARE
Small Systems Group
San Diego CA

TITLE
10XXNN "CNTL-12120" P.W.(9120)

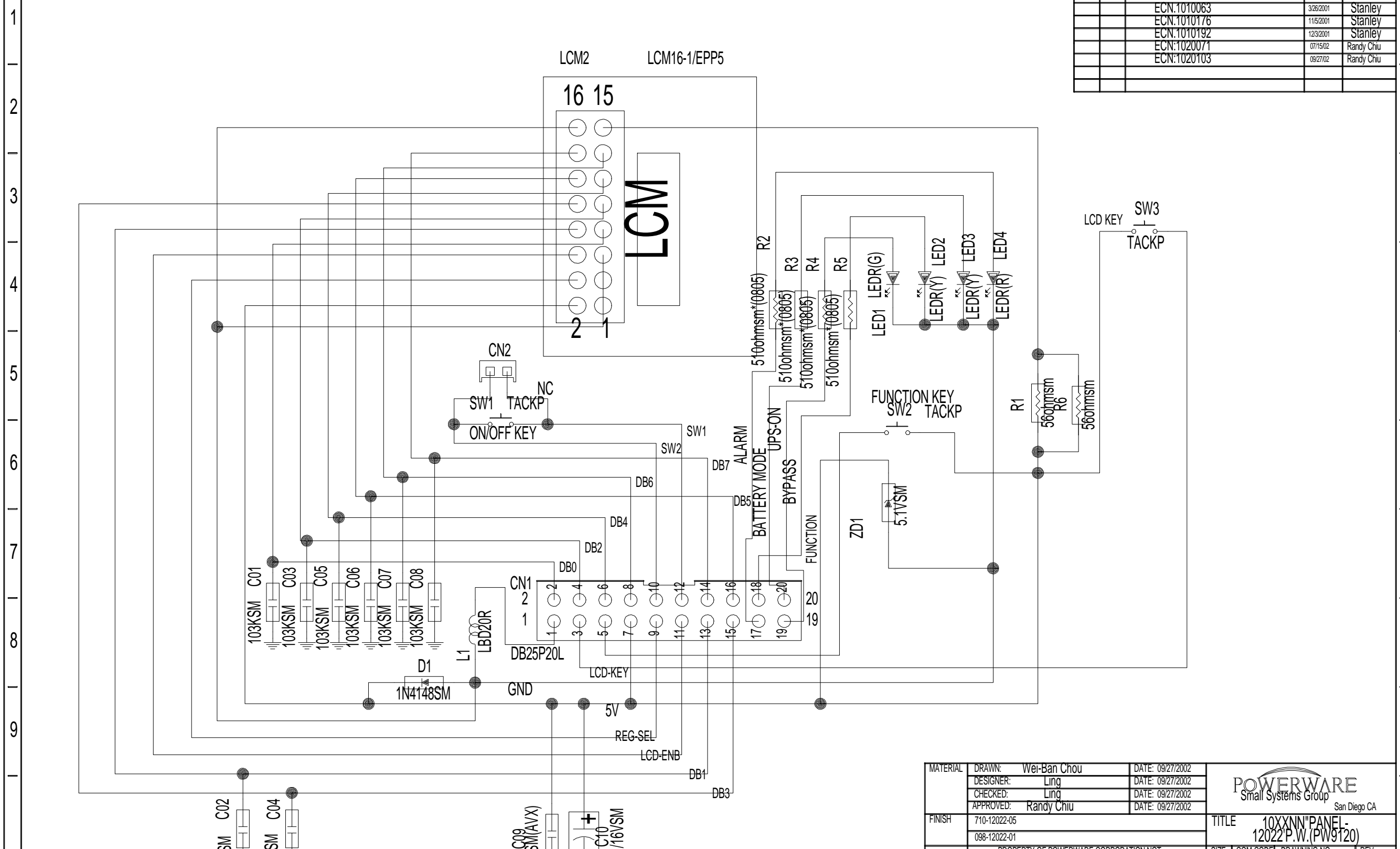
SIZE A3
DRAWING NO SK8107-3101-17
REV 17

PRODUCT PW9120


TP8107-3101-17

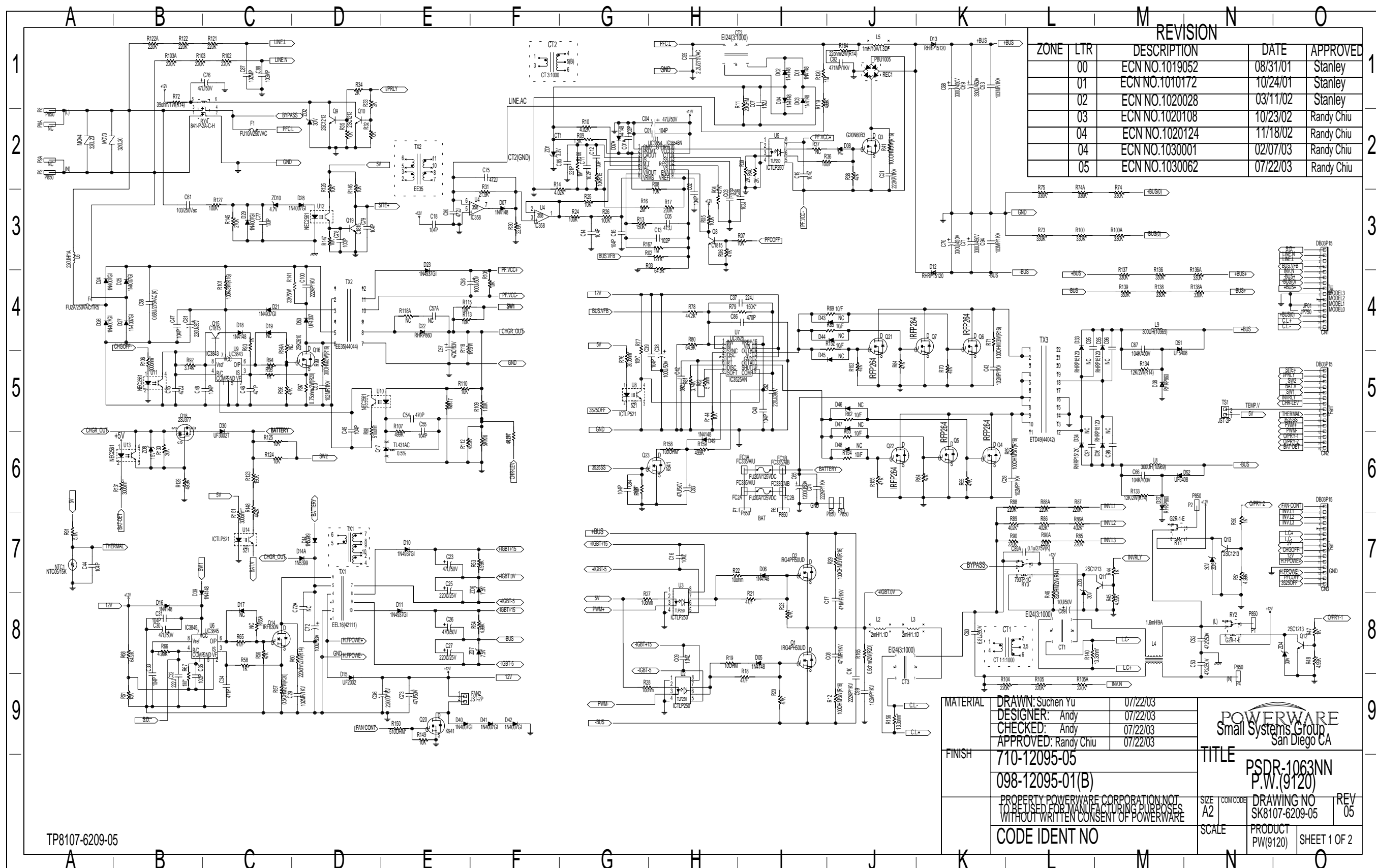
A | B | C | D | E | F | G | H | I | J | K | L | M | N | O

| REVISION | | | | |
|----------|-----|-------------|-----------|------------|
| ZONE | LTR | DESCRIPTION | DATE | APPROVED |
| | | ECN:1010063 | 3/26/2001 | Stanley |
| | | ECN:1010176 | 11/5/2001 | Stanley |
| | | ECN:1010192 | 12/3/2001 | Stanley |
| | | ECN:1020071 | 07/15/02 | Randy Chiu |
| | | ECN:1020103 | 09/27/02 | Randy Chiu |



TP8107-3504-05

| | | | | |
|--|----------------------|------------------|--|--------------------------|
| MATERIAL | DRAWN: Wei-Ban Chou | DATE: 09/27/2002 |  Small Systems Group San Diego CA | |
| | DESIGNER: Ling | DATE: 09/27/2002 | | |
| | CHECKED: Ling | DATE: 09/27/2002 | | |
| FINISH | APPROVED: Randy Chiu | DATE: 09/27/2002 | TITLE: 10XXNN" PANEL - 12022 P.W.(PW9120) | |
| | 098-12022-01 | | SIZE: A4 | COM CODE: SK8107-3504-05 |
| PROPERTY OF POWERWARE CORPORATION NOT TO BE USED MANUFACTURING PURPOSES WITHOUT WRITTEN CONSENT OF POWERWARE | | | DRAWING NO: SK8107-3504-05 | REV: 05 |
| CODE IDENT NO | SCALE | PRODUCT: PW9120 | SHEET 1 OF 1 | |



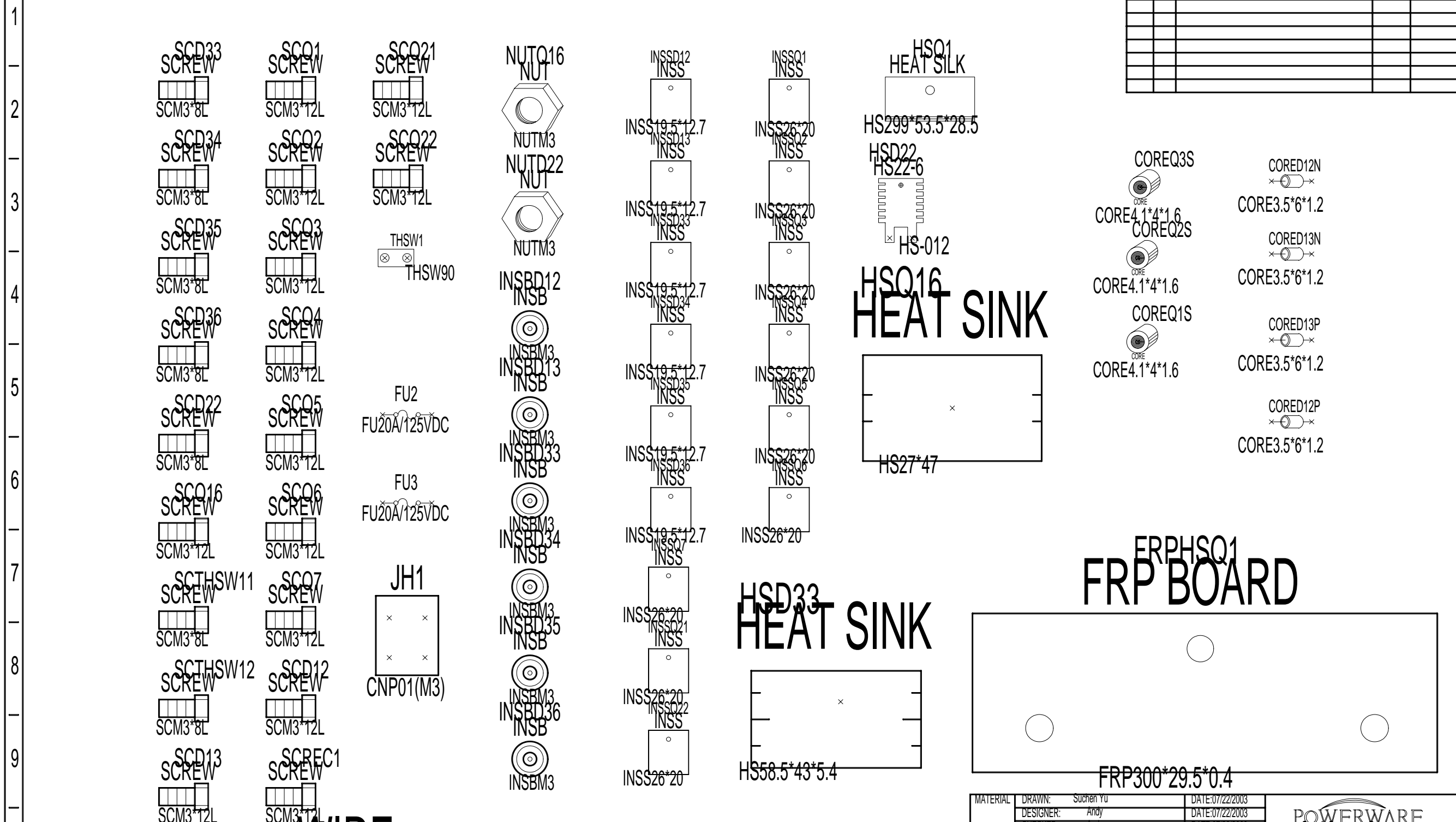
| ZONE | LTR | DESCRIPTION | DATE | APPROVED |
|------|-----|----------------|----------|------------|
| | 00 | ECN NO.1019052 | 08/31/01 | Stanley |
| | 01 | ECN NO.1010172 | 10/24/01 | Stanley |
| | 02 | ECN NO.1020028 | 03/11/02 | Stanley |
| | 03 | ECN NO.1020108 | 10/23/02 | Randy Chiu |
| | 04 | ECN NO.1020124 | 11/18/02 | Randy Chiu |
| | 04 | ECN NO.1030001 | 02/07/03 | Randy Chiu |
| | 05 | ECN NO.1030062 | 07/22/03 | Randy Chiu |

| | | |
|---------------|---|----------|
| MATERIAL | DRAWN: Suchen Yu | 07/22/03 |
| | DESIGNER: Andy | 07/22/03 |
| | CHECKED: Andy | 07/22/03 |
| | APPROVED: Randy Chiu | 07/22/03 |
| FINISH | 710-12095-05 | |
| | 098-12095-01(B) | |
| | PROPERTY POWERWARE CORPORATION NOT TO BE USED FOR MANUFACTURING PURPOSES WITHOUT WRITTEN CONSENT OF POWERWARE | |
| CODE IDENT NO | | |

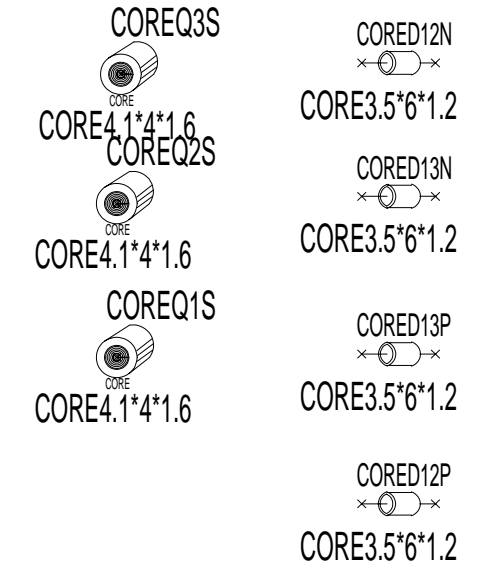
| | |
|---|------------------|
| POWERWARE Small Systems Group San Diego CA | |
| TITLE PSDR-1063NN P.W.(9120) | |
| SIZE | A2 |
| DRAWING NO | SK8107-6209-05 |
| REV | 05 |
| SCALE | PRODUCT PW(9120) |
| SHEET 1 OF 2 | |

TP8107-6209-05

A | B | C | D | E | F | G | H | I | J | K | L | M | N | O



| REVISION | | | | |
|----------|-----|-------------|------|----------|
| ZONE | LTR | DESCRIPTION | DATE | APPROVED |
| | | | | |
| | | | | |
| | | | | |
| | | | | |
| | | | | |
| | | | | |
| | | | | |
| | | | | |



HSQ16 HEAT SINK

HSD33 HEAT SINK

FRPHSQ1 FRP BOARD

WIRE AWG22*90(BLK)2P



| | | | | |
|---------------|--|------------------|---|--------------------------------|
| MATERIAL | DRAWN: Suchen Yu | DATE: 07/22/2003 | Small Systems Group San Diego CA | |
| | DESIGNER: Andy | DATE: 07/22/2003 | | |
| | CHECKED: Andy | DATE: 07/22/2003 | | |
| FINISH | APPROVED: Randy Chiu | DATE: 07/22/2003 | TITLE: PSDR-1063111 POWERWARE (9120) | |
| | 710-12095-05 098-12095-01 | | SIZE: A4 | COM CODE: SK8107-6209-05 |
| | PROPERTY OF POWERWARE CORPORATION NOT TO BE USED FOR MANUFACTURING PURPOSES WITHOUT WRITTEN CONSENT OF POWERWARE | | DRAWING NO: SK8107-6209-05 | REV: 05 |
| CODE IDENT NO | | | SCALE | PRODUCT: PW(9120) SHEET 2 OF 2 |

TP8107-6209-05

A | B | C | D | E | F | G | H | I | J | K | L | M | N | O

